

US00D593955S

(12) **United States Design Patent**
Mase

(10) **Patent No.:** **US D593,955 S**
(45) **Date of Patent:** **** Jun. 9, 2009**

(54) **ELECTRICAL CONNECTOR COVER**

(75) Inventor: **Tsuyoshi Mase**, Yokkaichi (JP)

(73) Assignee: **Sumitomo Wiring Systems, Ltd.**,
Yokkaichi-Shi, Mie-Ken (JP)

(**) Term: **14 Years**

(21) Appl. No.: **29/323,848**

(22) Filed: **Sep. 2, 2008**

(30) **Foreign Application Priority Data**

Mar. 7, 2008 (JP) D2008-005751

(51) **LOC (9) Cl.** **13-03**

(52) **U.S. Cl.** **D13/154**

(58) **Field of Classification Search** D13/133,
D13/154-156; 439/368-375

See application file for complete search history.

(56) **References Cited**

U.S. PATENT DOCUMENTS

D390,536 S * 2/1998 Austin D13/156
D413,864 S * 9/1999 Kovacik et al. D13/154
D474,156 S * 5/2003 Vournou D13/154
D475,022 S * 5/2003 Kihira et al. D13/154

* cited by examiner

Primary Examiner—Brian N Vinson

(74) *Attorney, Agent, or Firm*—Sawyer Law Group, P.C.

(57) **CLAIM**

The ornamental design for an electrical connector cover, as shown and described.

DESCRIPTION

FIG. 1 is a front perspective view of an electrical connector cover showing my new design;

FIG. 2 is a rear perspective view thereof;

FIG. 3 is a front view thereof;

FIG. 4 is a rear view thereof;

FIG. 5 is a top plan view thereof;

FIG. 6 is a bottom plan view thereof;

FIG. 7 is a right side view thereof; and,

FIG. 8 is a left side view thereof.

The broken lines are shown for illustrative purposes only and form no part of the claimed design. The dot-dashed lines denote the boundary of the claim, and form no part of the claimed design.

1 Claim, 7 Drawing Sheets

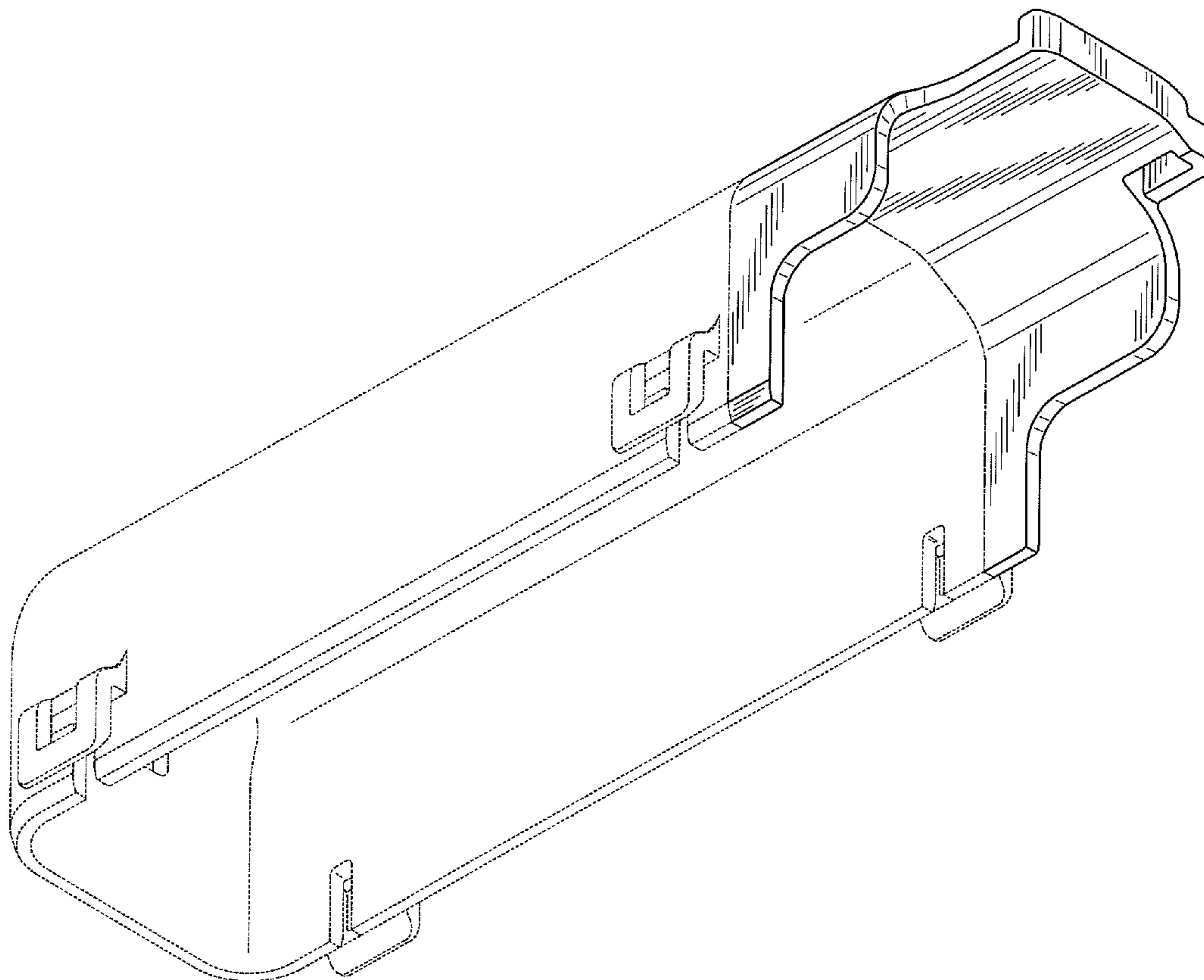
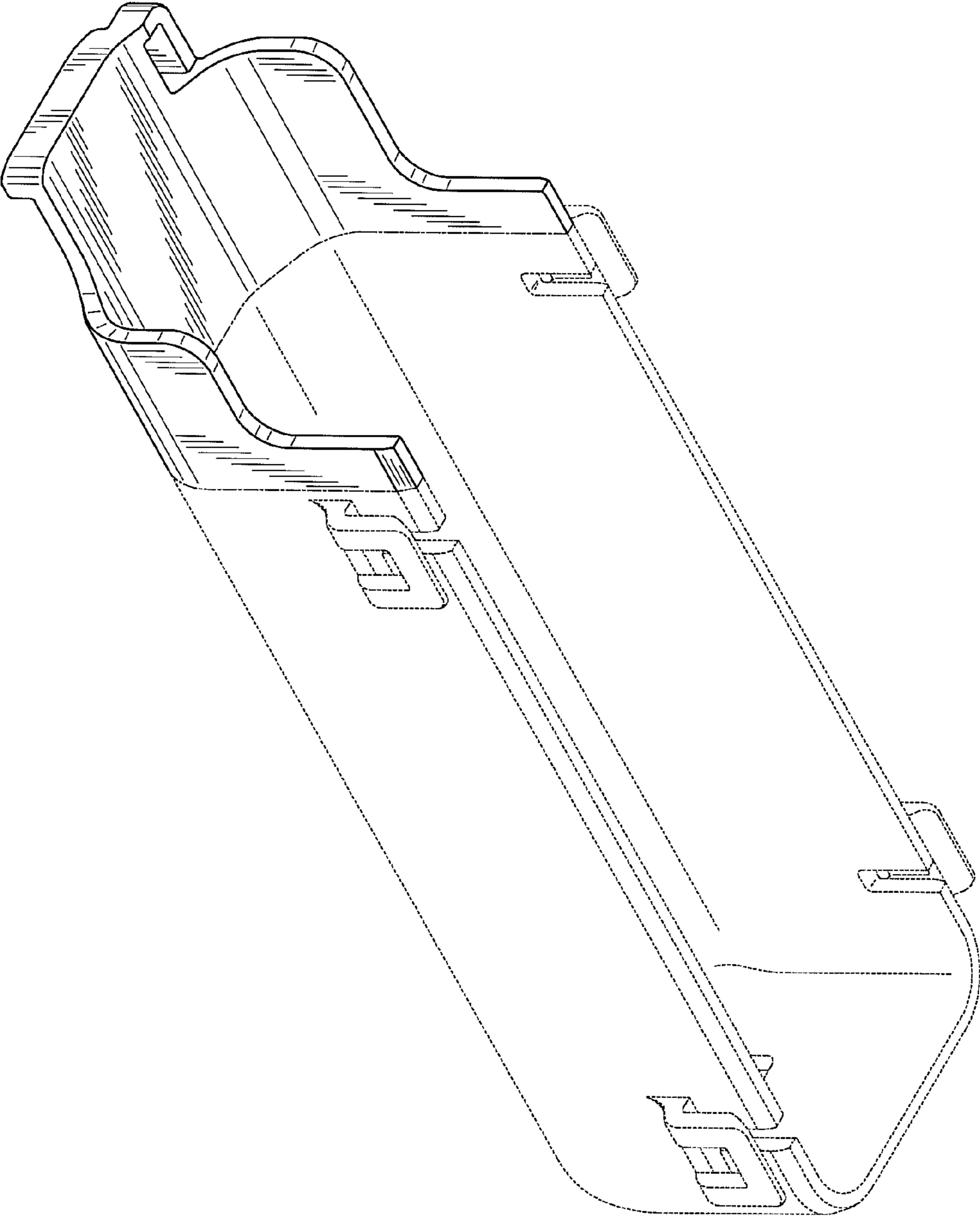


FIG. 1



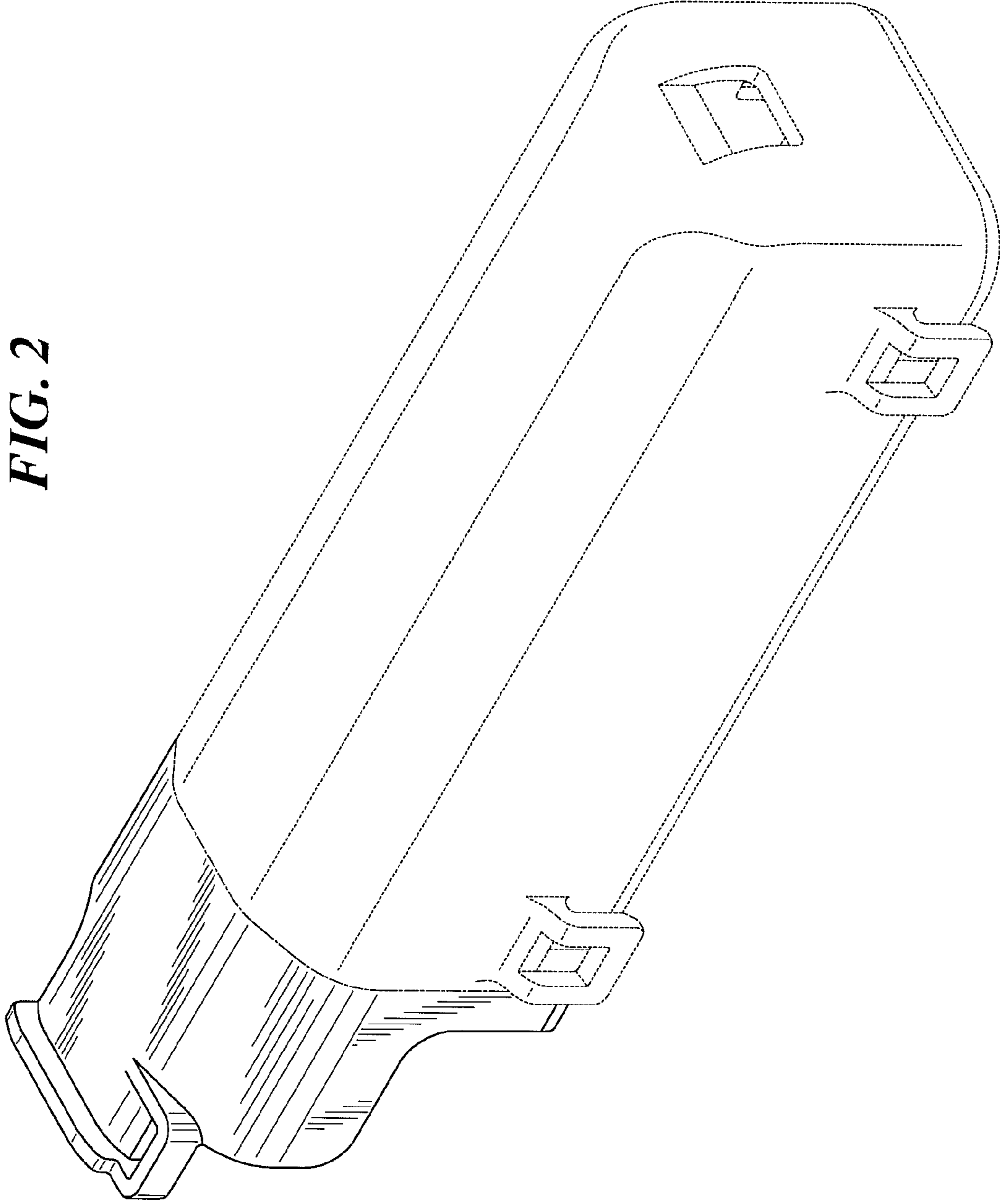


FIG. 2

FIG. 3

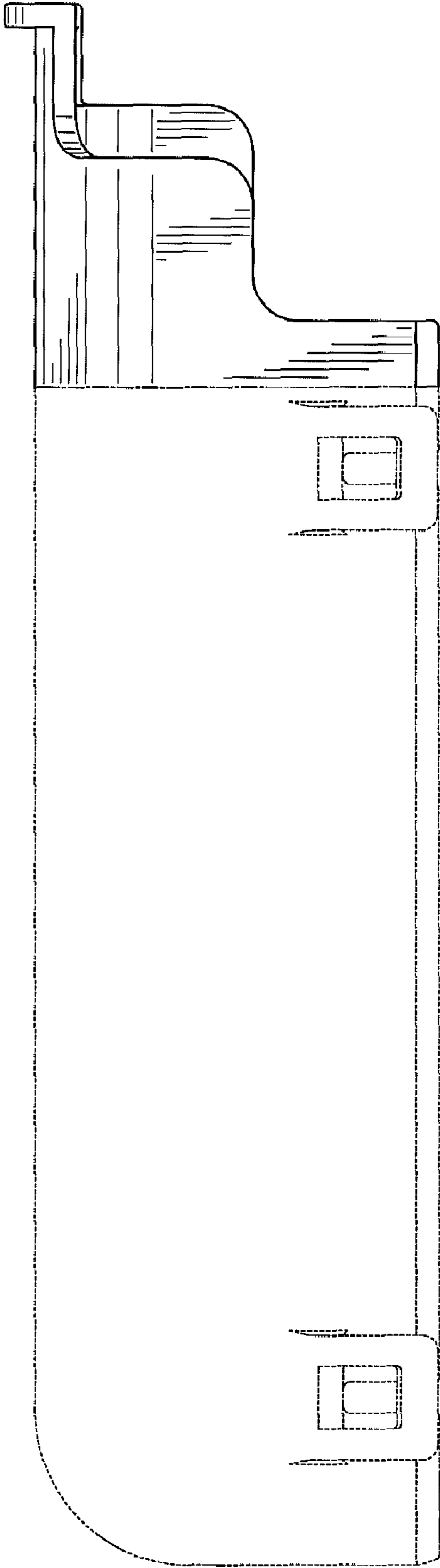


FIG. 4

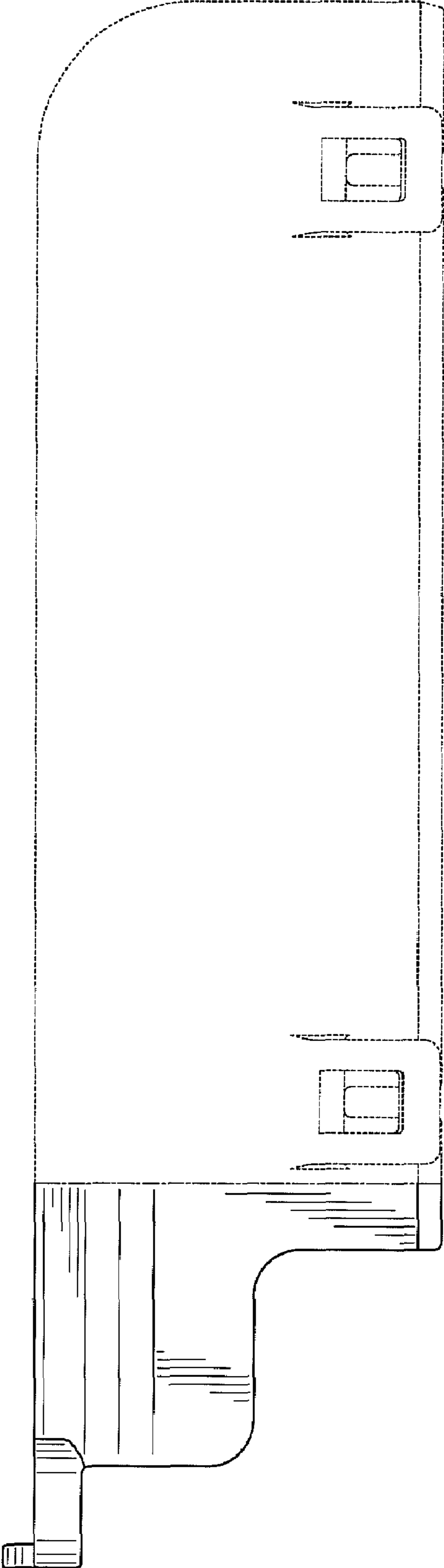


FIG. 5

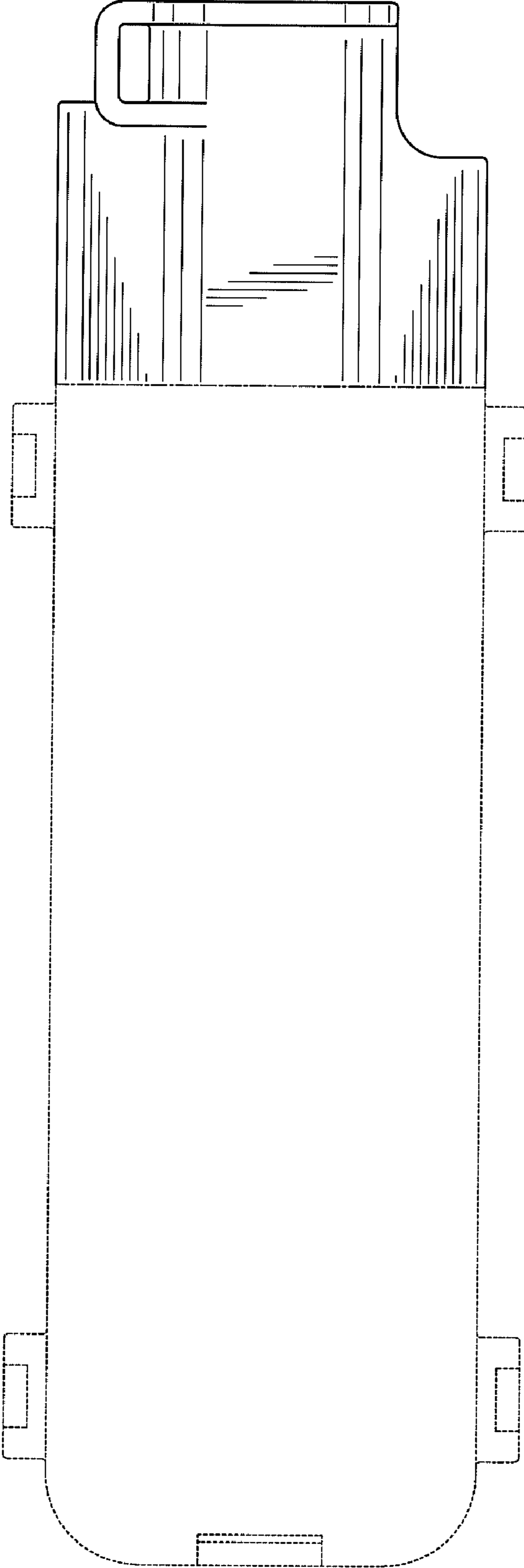


FIG. 6

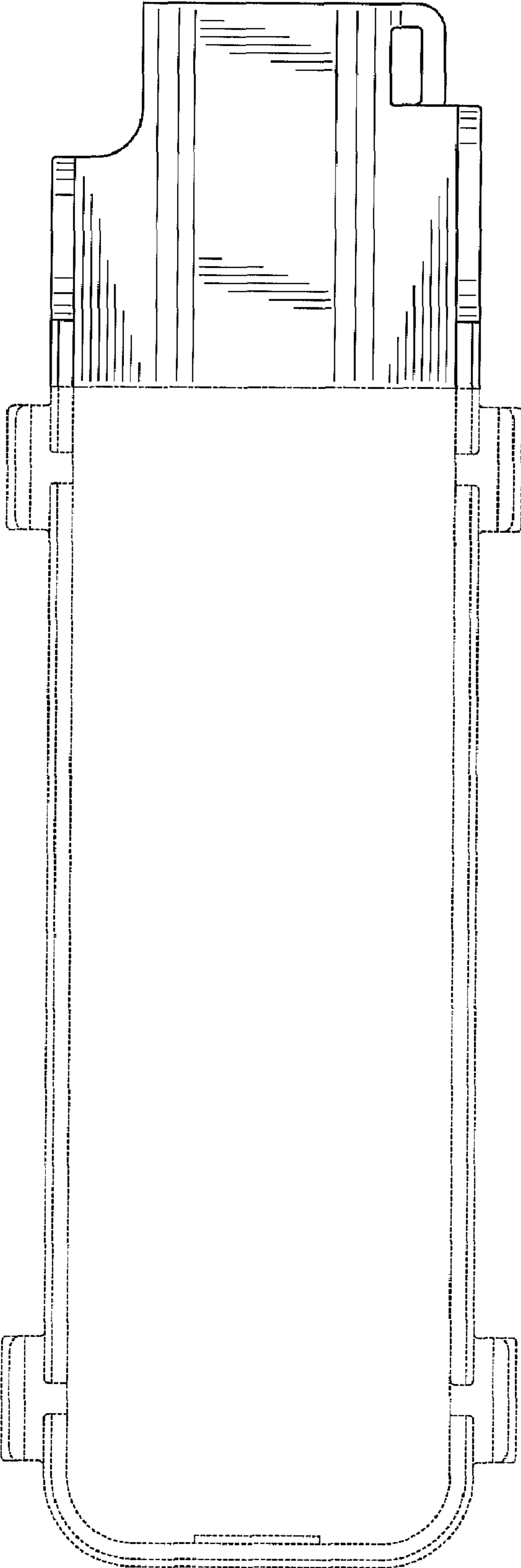


FIG. 8

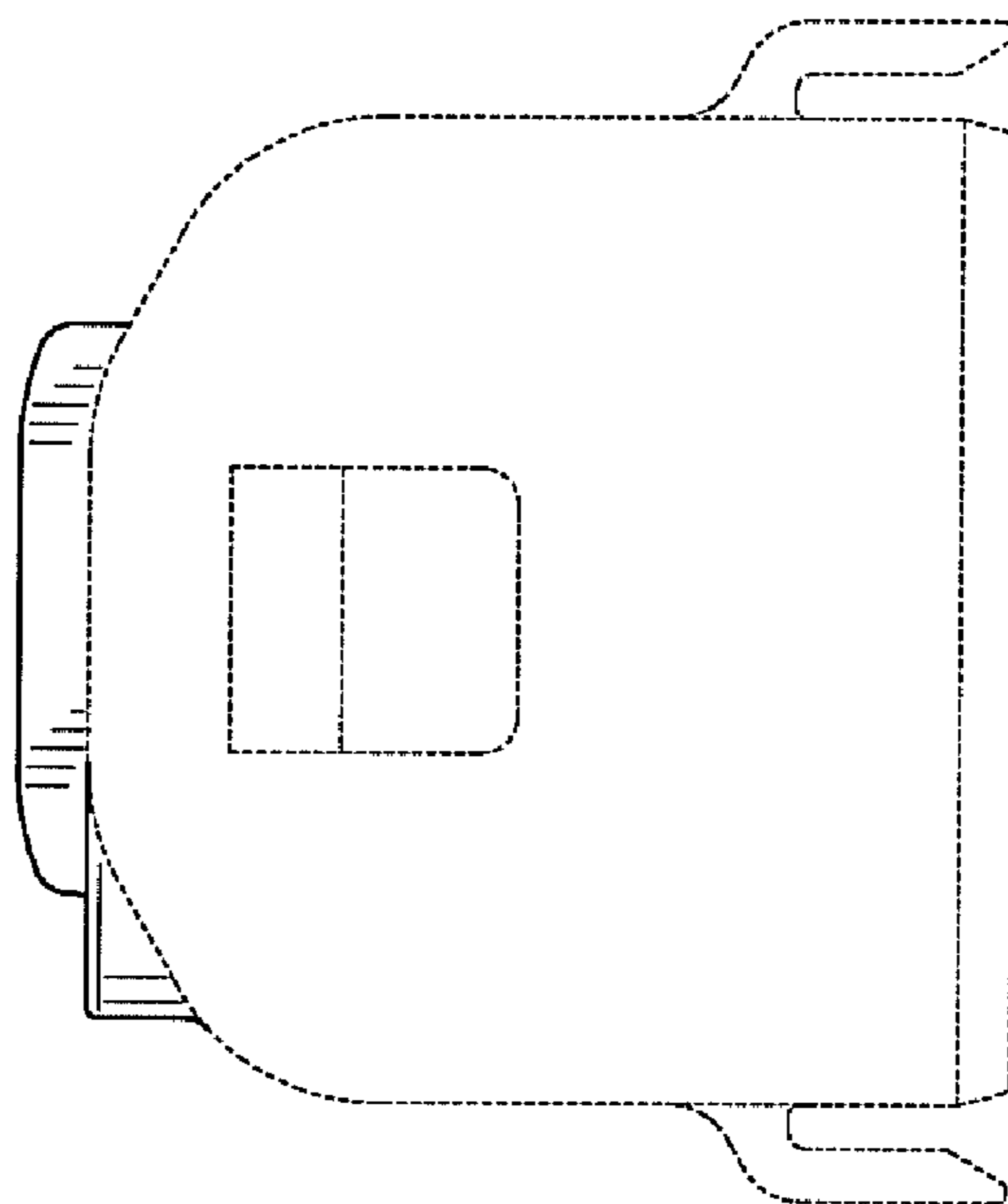


FIG. 7

