



US00D593954S

(12) **United States Design Patent**  
**Lee et al.**

(10) **Patent No.:** **US D593,954 S**  
(45) **Date of Patent:** **\*\* Jun. 9, 2009**

(54) **CONNECTOR**

(75) Inventors: **Noel Lee**, Las Vegas, NV (US); **Jacky Hsiung**, San Jose, CA (US)

(73) Assignee: **Monster Cable Products, Inc.**,  
Brisbane, CA (US)

(\*\*) Term: **14 Years**

(21) Appl. No.: **29/301,144**

(22) Filed: **Jan. 14, 2008**

**Related U.S. Application Data**

(62) Division of application No. 29/248,946, filed on Sep. 12, 2006, now Pat. No. Des. 563,872.

(51) **LOC (9) Cl.** ..... **13-03**

(52) **U.S. Cl.** ..... **D13/154; D13/133; D13/147**

(58) **Field of Classification Search** ..... D13/133,  
D13/146-147, 153, 154, 184; 439/502, 505,  
439/578, 607-610, 623, 680, 686

See application file for complete search history.

(56) **References Cited**

**U.S. PATENT DOCUMENTS**

D449,275 S *	10/2001	Goto	.....	D13/147
D450,039 S *	11/2001	Goto	.....	D13/147
D515,511 S *	2/2006	Nishio et al.	.....	D13/147
D553,089 S *	10/2007	Victor	.....	D13/147
D563,872 S *	3/2008	Lee et al.	.....	D13/133
D564,971 S *	3/2008	Victor	.....	D13/153

\* cited by examiner

*Primary Examiner*—Daniel D Bui

(74) *Attorney, Agent, or Firm*—LaRiviere, Grubman & Payne, LLP

(57) **CLAIM**

The ornamental design for a connector, as shown and described.

**DESCRIPTION**

A portion of the disclosure of this patent document contains material which is subject to copyright protection. The copyright owner has no objection to the facsimile reproduction by any one of the patent document or the patent disclosure, as it appears in the Patent and Trademark Office patent file or records, but otherwise reserves all copyright rights whatsoever.

FIG. 1 is a top, front and side perspective view of a connector showing our new design;

FIG. 2 is a top, rear and side perspective view thereof, in use condition;

FIG. 3 is another top, rear and side perspective view thereof, in use condition;

FIG. 4 is a front elevation view thereof;

FIG. 5 is a rear elevation view thereof;

FIG. 6 is a side elevation view thereof;

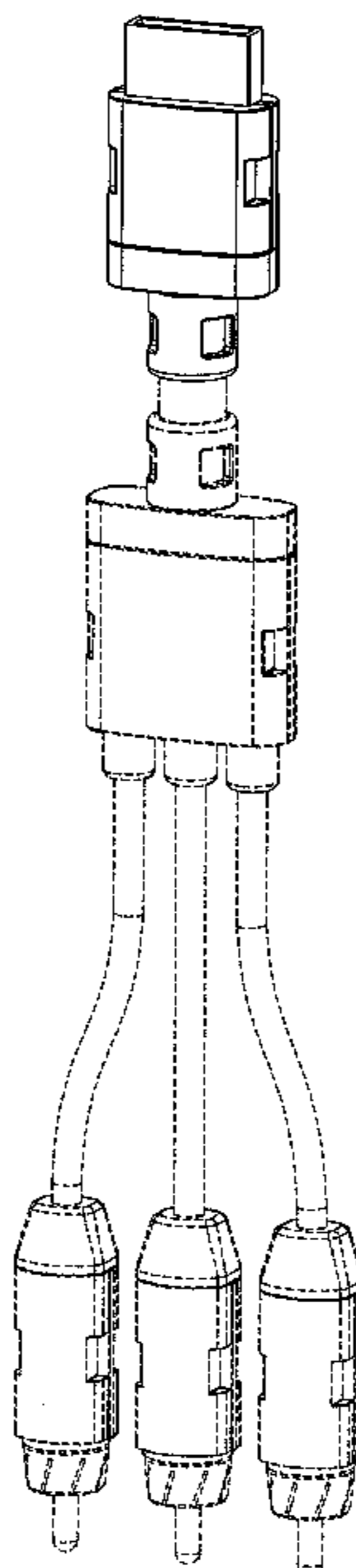
FIG. 7 is an opposite side elevation view thereof;

FIG. 8 is a top plan view thereof, on a larger scale; and,

FIG. 9 is a bottom plan view thereof.

The broken line showing of the environment is for illustrative purposes only and forms no part of the claimed design.

**1 Claim, 6 Drawing Sheets**



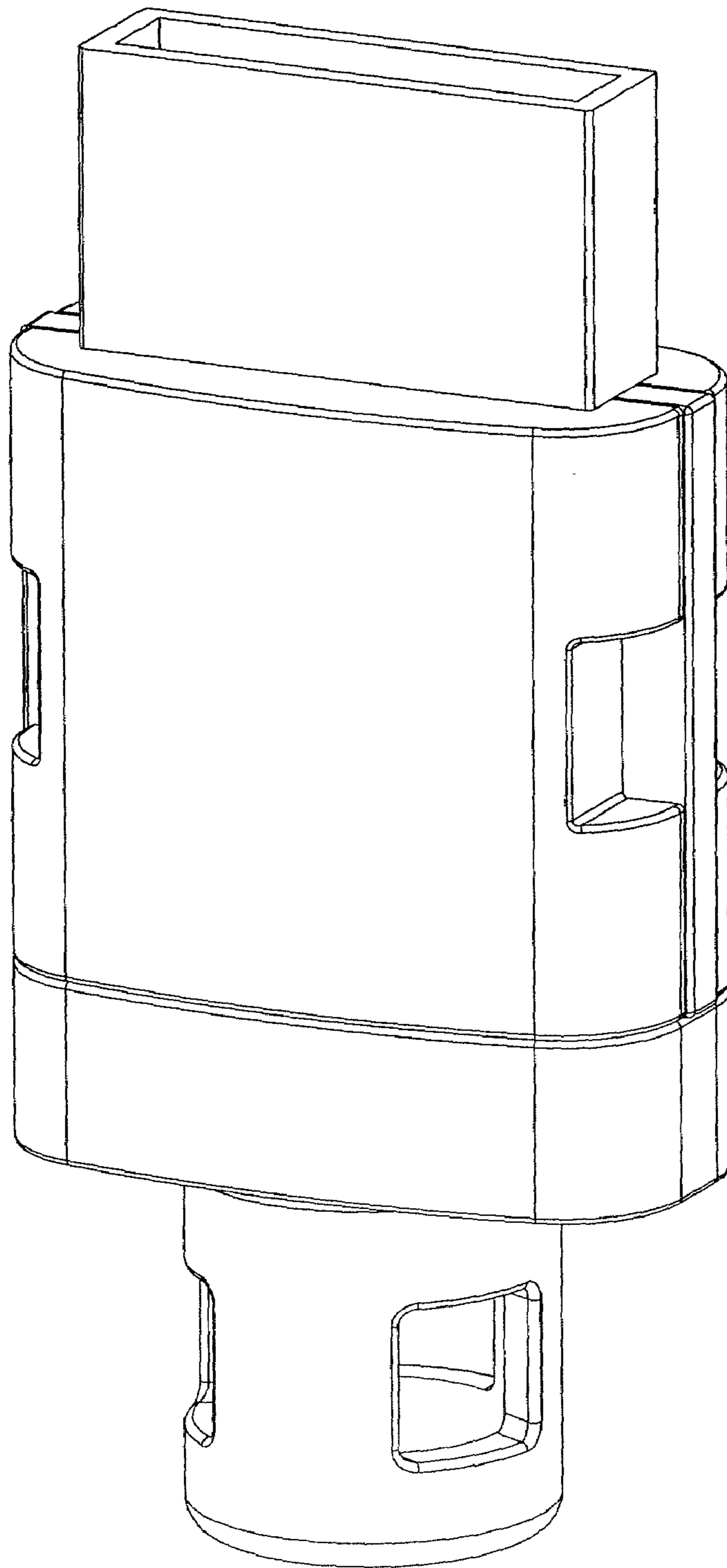


Figure 1

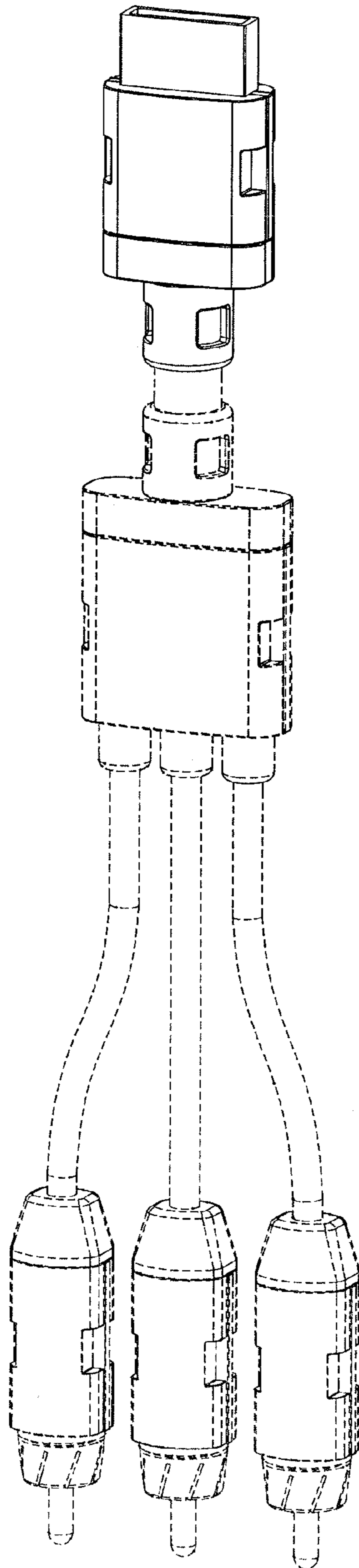


Figure 2

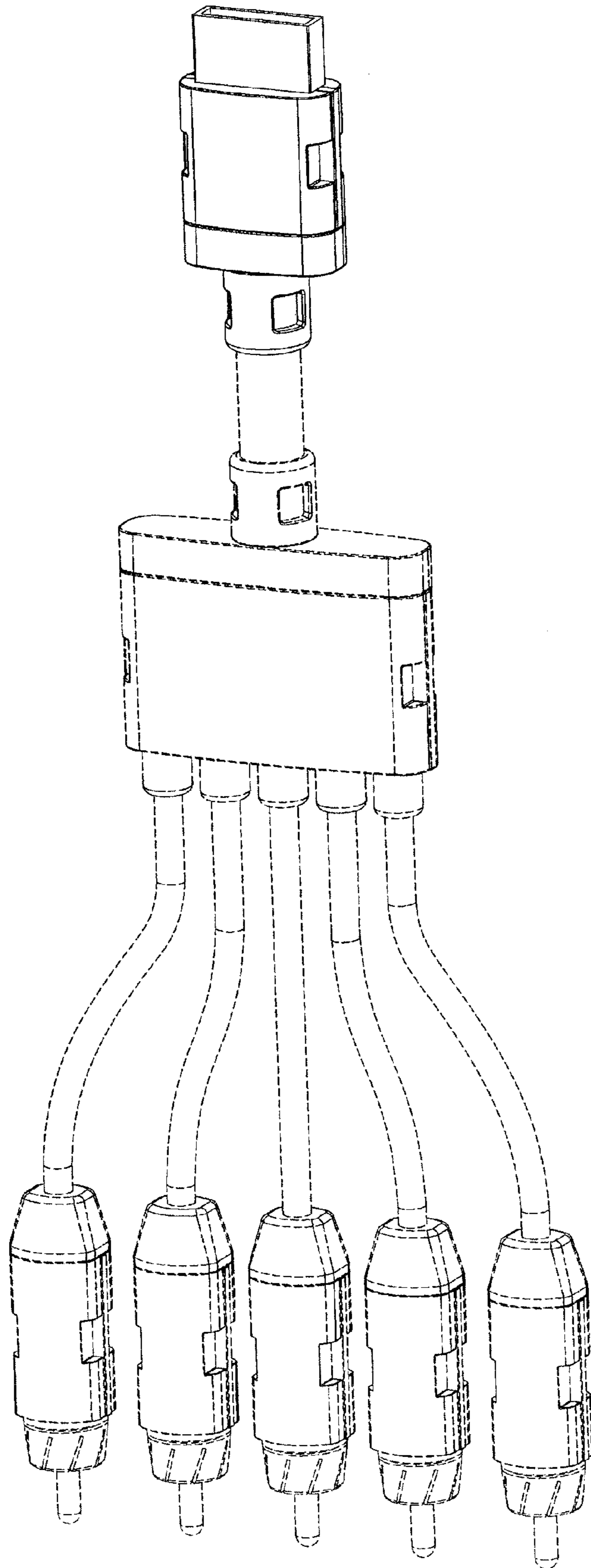


Figure 3

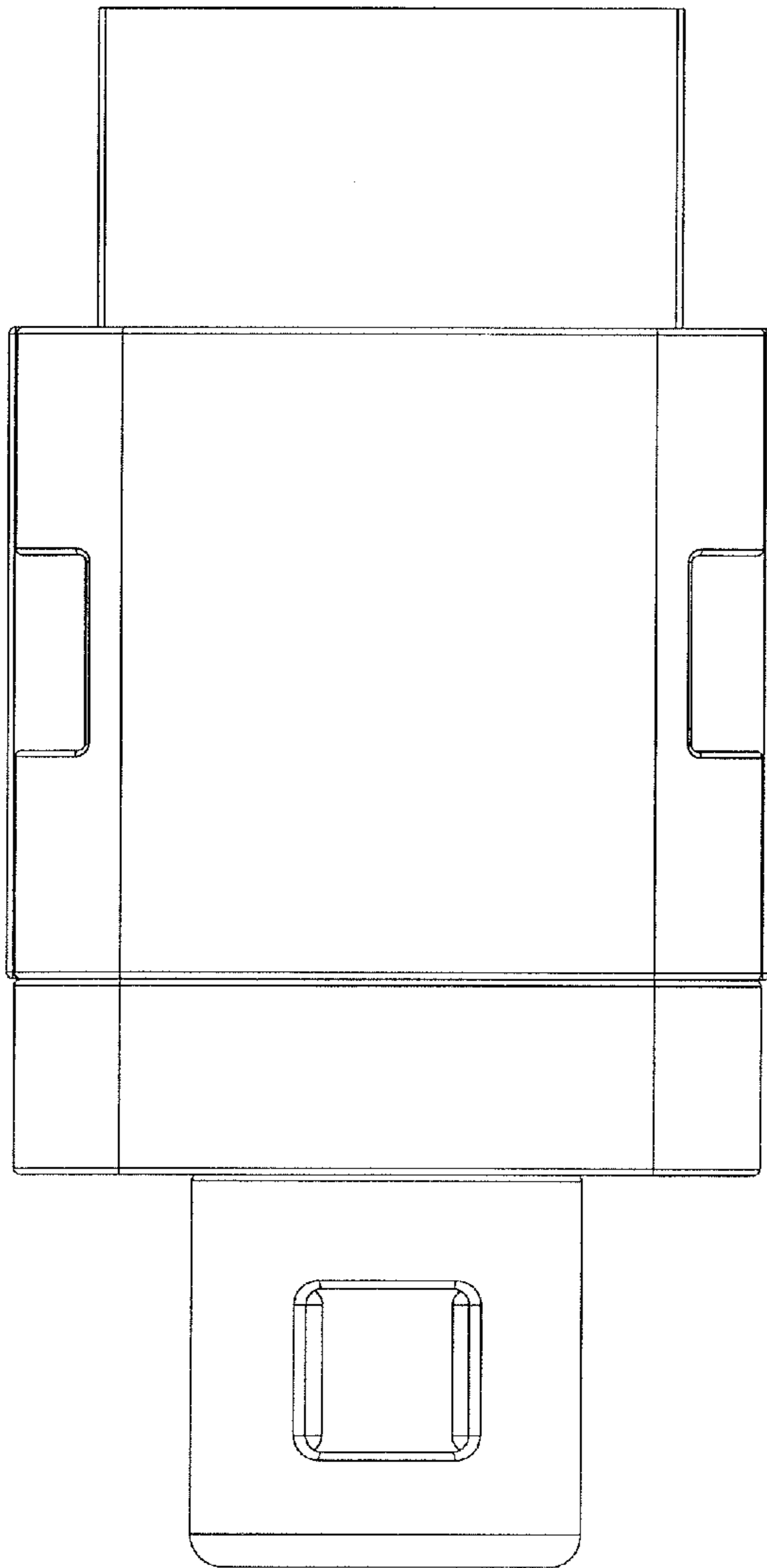


Figure 4

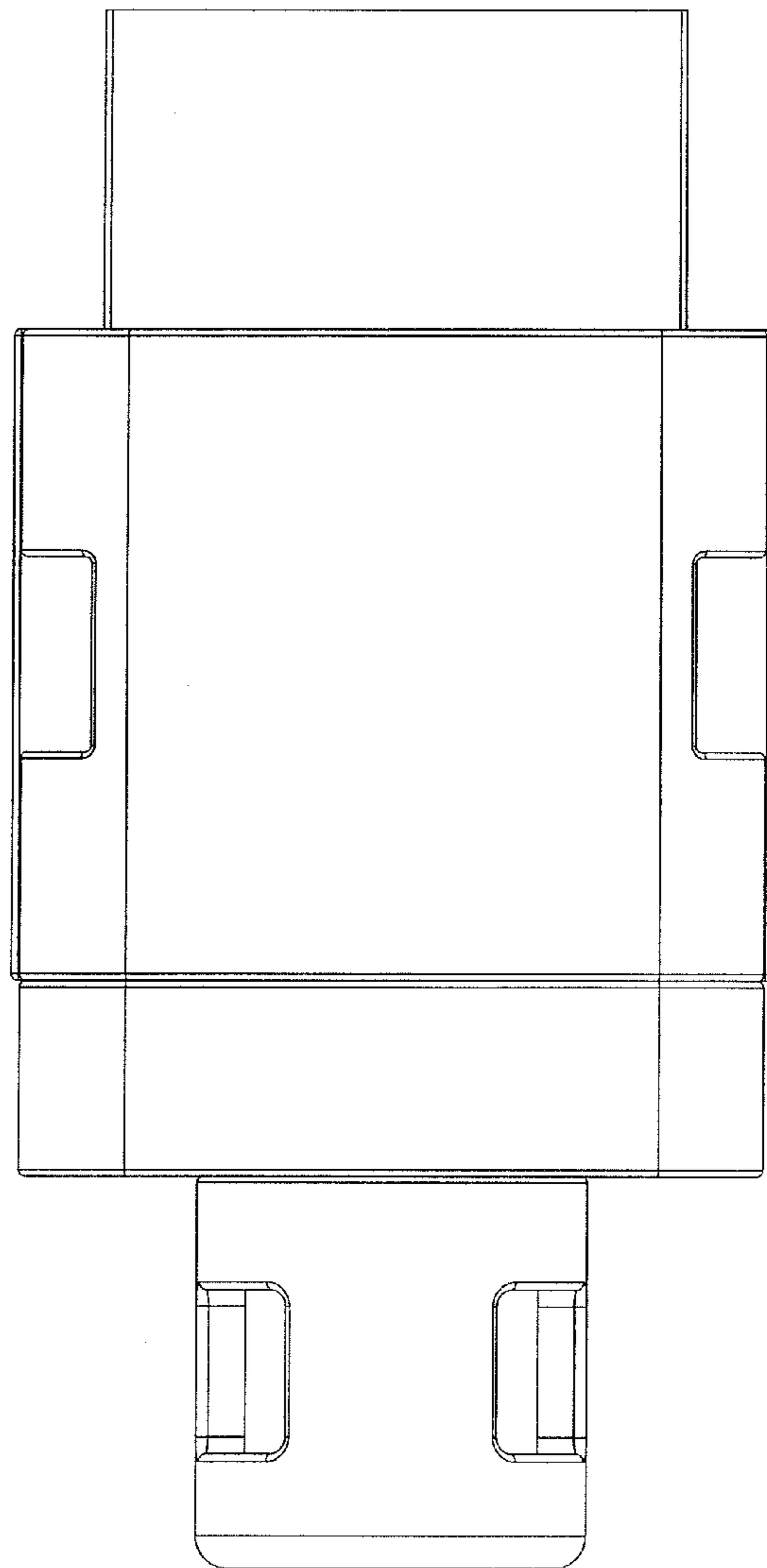


Figure 5

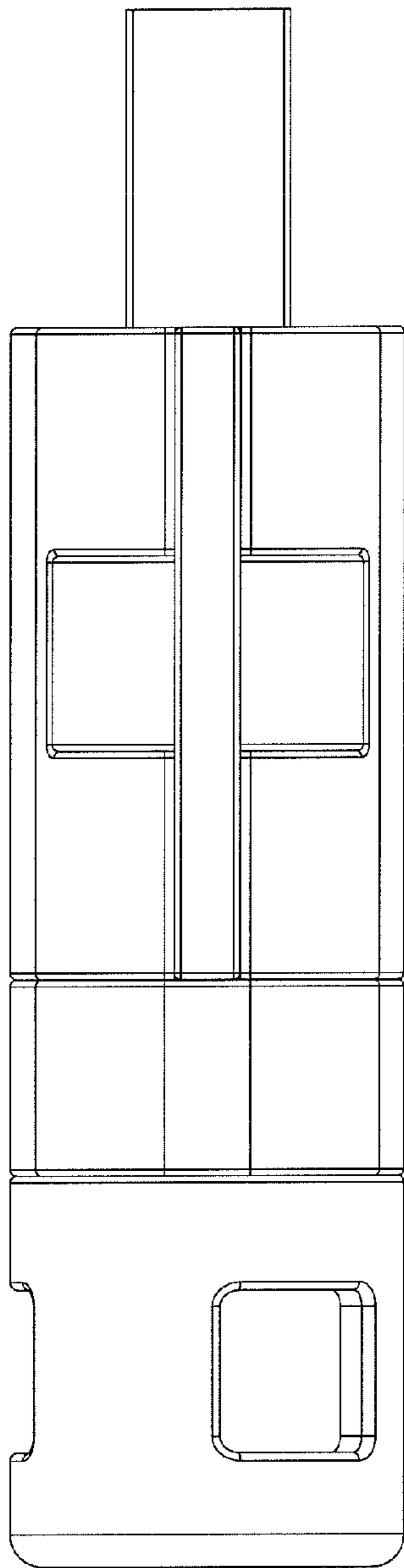


Figure 6

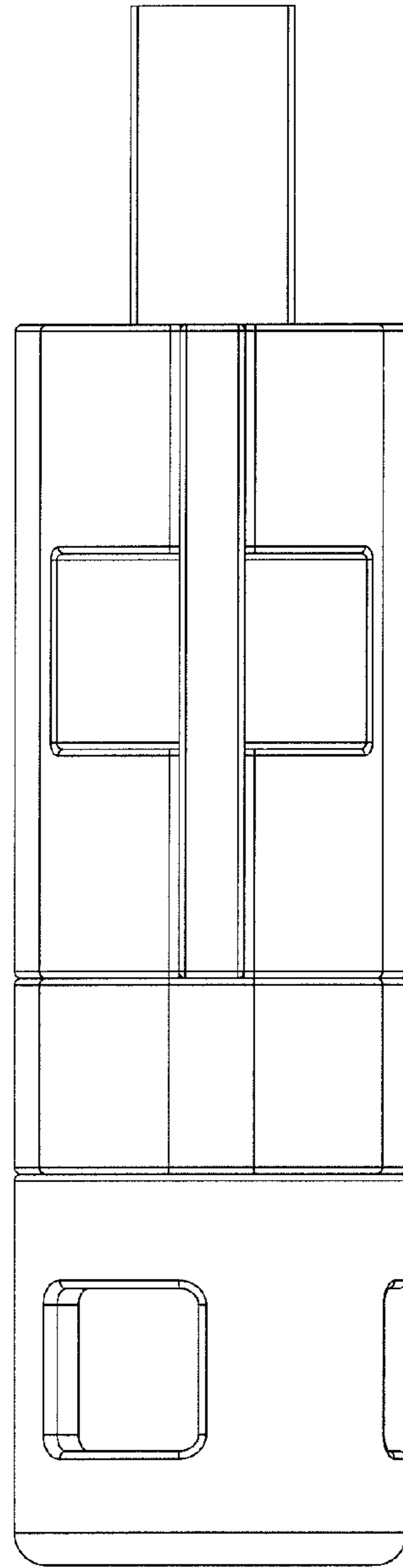


Figure 7

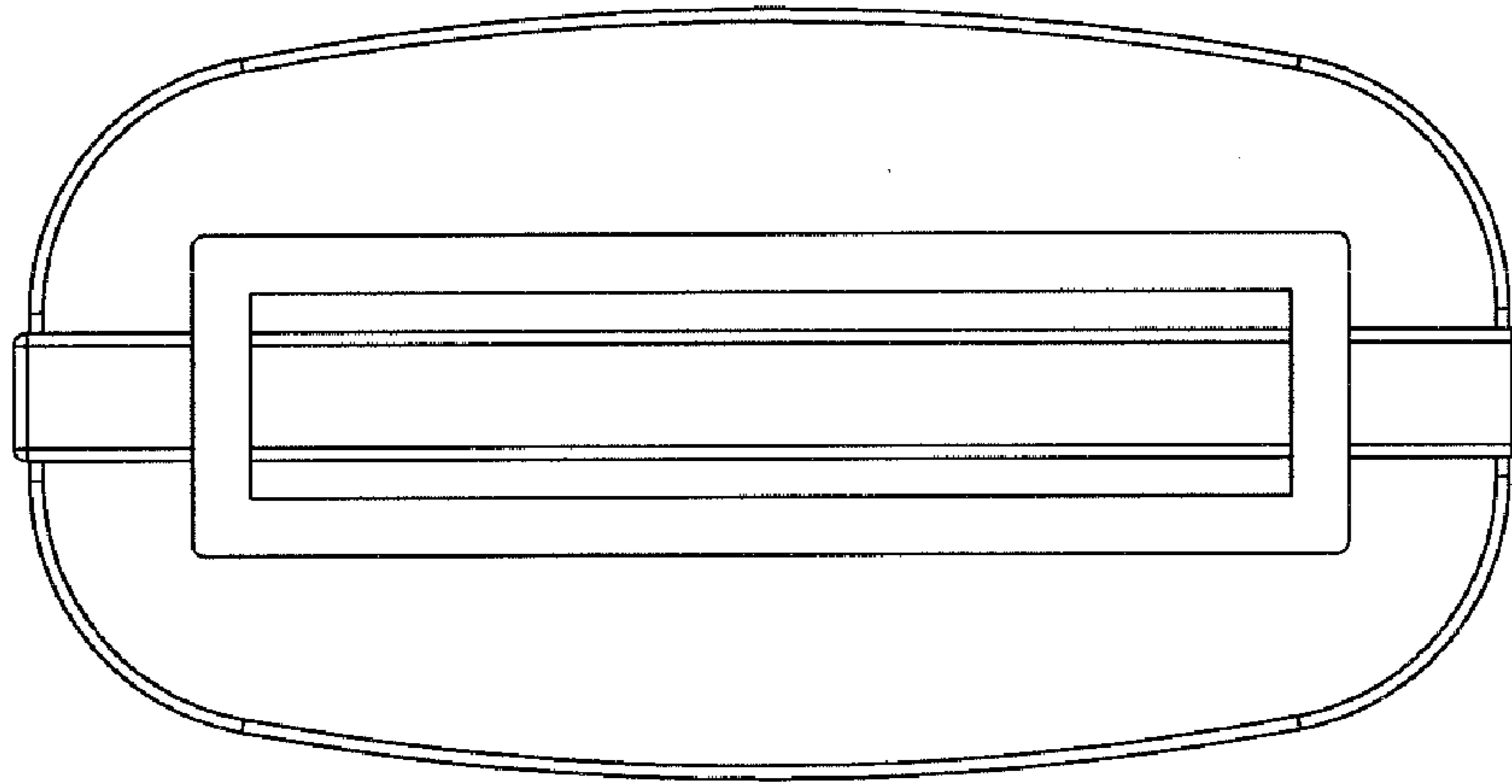


Figure 8

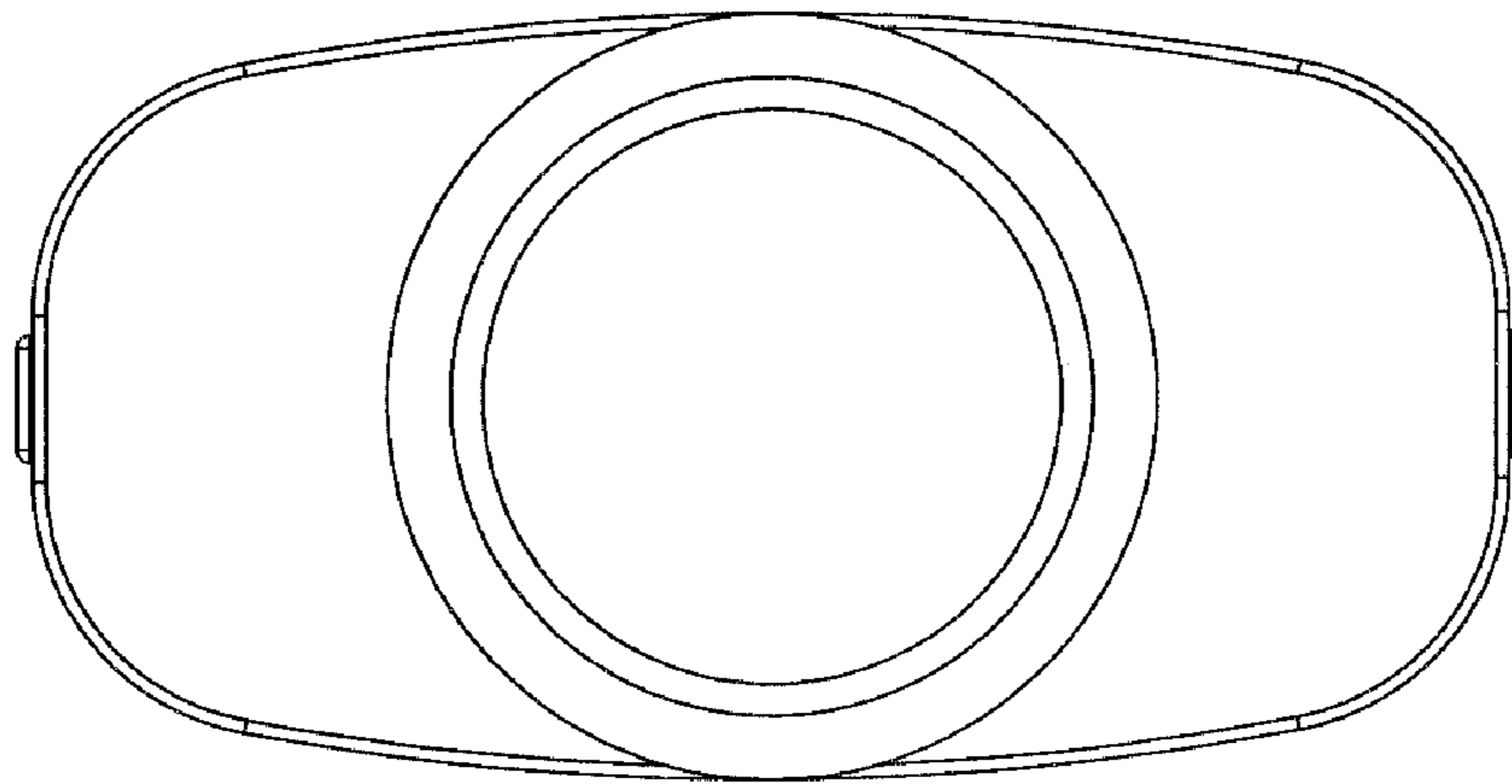


Figure 9