

US00D593952S

(12) **United States Design Patent**
Derksen et al.

(10) **Patent No.:** **US D593,952 S**
(45) **Date of Patent:** **** Jun. 9, 2009**

(54) **ELECTRICAL CONTROL UNIT ADAPTOR**

D472,524 S * 4/2003 Yamawaki et al. D13/147
D503,150 S * 3/2005 Yamawaki et al. D13/147

(75) Inventors: **Steve Derksen**, Lacerenta, CA (US);
David Heath, Cypress, CA (US); **Jorge Rodriguez**, Los Angeles, CA (US);
Mark Sasaki, Torrance, CA (US)

* cited by examiner

Primary Examiner—Daniel D Bui
(74) *Attorney, Agent, or Firm*—Workman Nydegger

(73) Assignee: **V & H Performance, Inc.**, Santa Fe Springs, CA (US)

(57) **CLAIM**

(**) Term: **14 Years**

The ornamental design for an electrical control unit adaptor, as shown and described.

(21) Appl. No.: **29/295,831**

DESCRIPTION

(22) Filed: **Oct. 8, 2007**

(51) **LOC (9) Cl.** **13-03**

(52) **U.S. Cl.** **D13/147**

(58) **Field of Classification Search** D13/146–147,
D13/154, 184; 439/350, 353, 357, 489, 587,
439/595, 634, 686, 695, 701

See application file for complete search history.

FIG. 1 is a front perspective view of an electrical control unit adaptor showing our new design;
FIG. 2 is a rear perspective view thereof;
FIG. 3 is a front elevational view thereof;
FIG. 4 is a top plan view thereof;
FIG. 5 is a bottom plan view thereof;
FIG. 6 is a right side elevational view thereof;
FIG. 7 is a left side elevational view thereof; and,
FIG. 8 is a rear elevational view thereof.

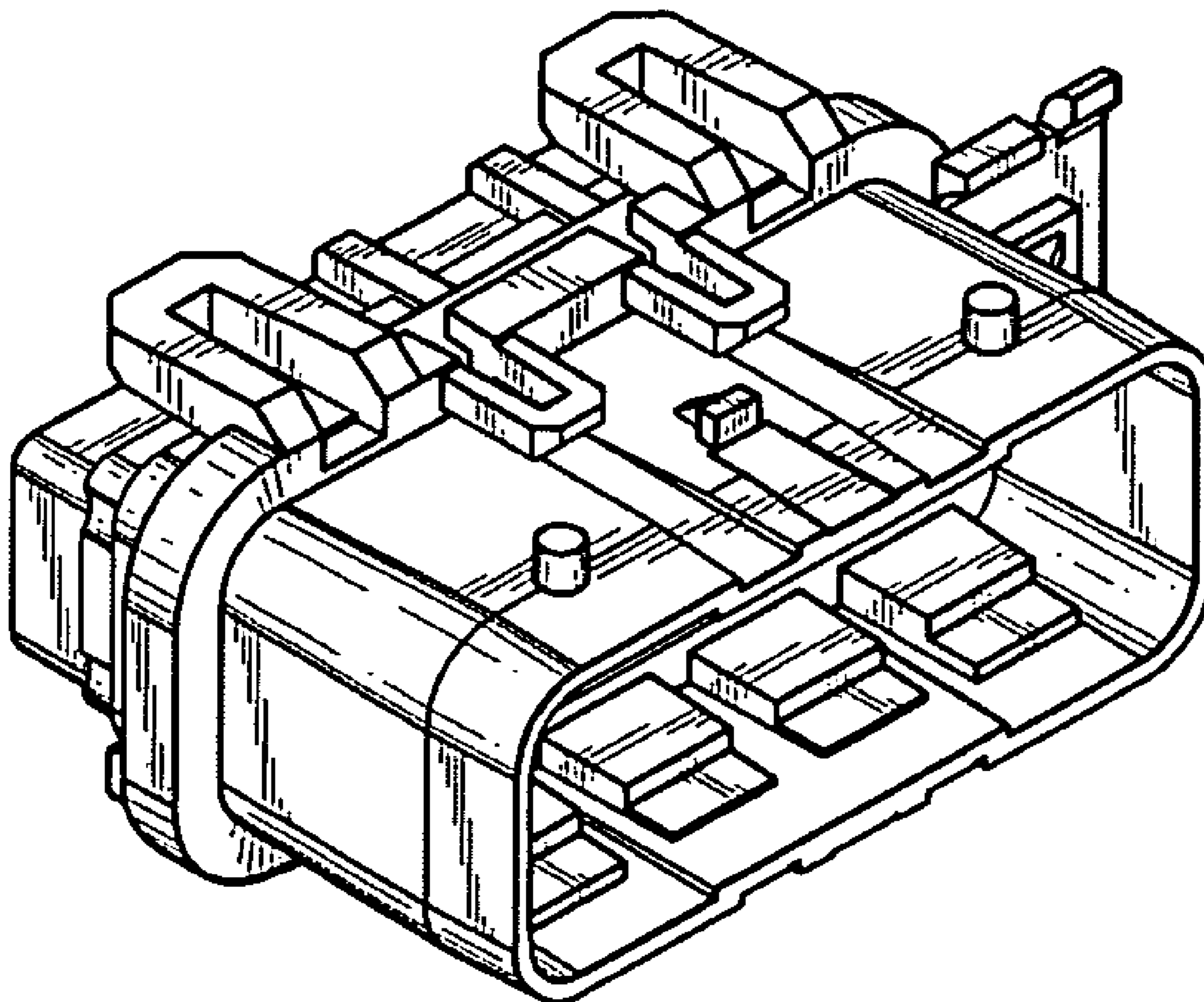
The broken line portion of the figure drawings is included to show unclaimed subject matter only and forms no part of the claimed design.

(56) **References Cited**

U.S. PATENT DOCUMENTS

D310,993 S * 10/1990 Ohkura et al. D13/146
D314,753 S * 2/1991 Endo et al. D13/147
D317,904 S * 7/1991 Takenouchi et al. D13/147
D324,206 S * 2/1992 Sueyoshi et al. D13/147
D335,649 S * 5/1993 Ogawa D13/147

1 Claim, 3 Drawing Sheets



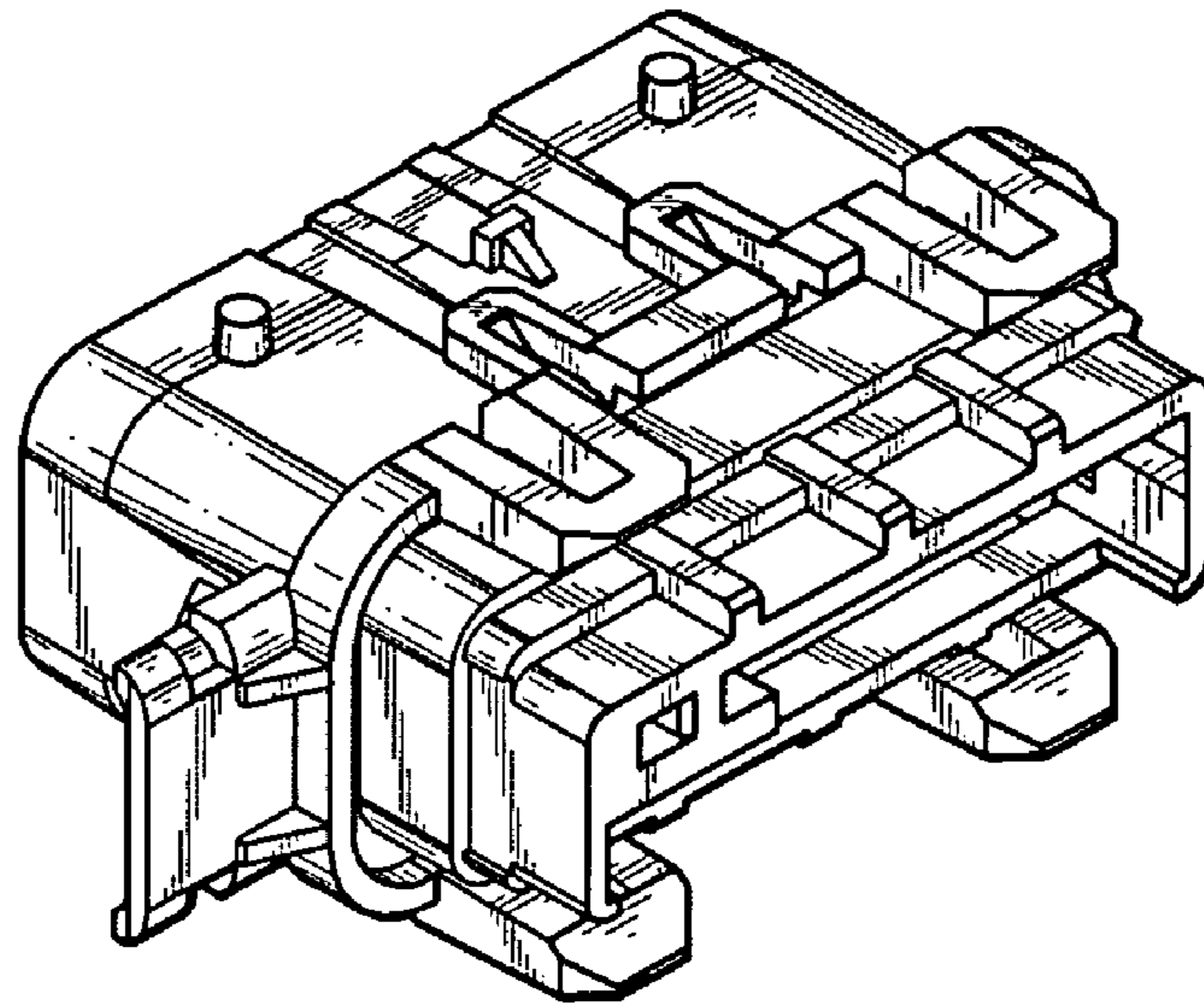


FIG. 1

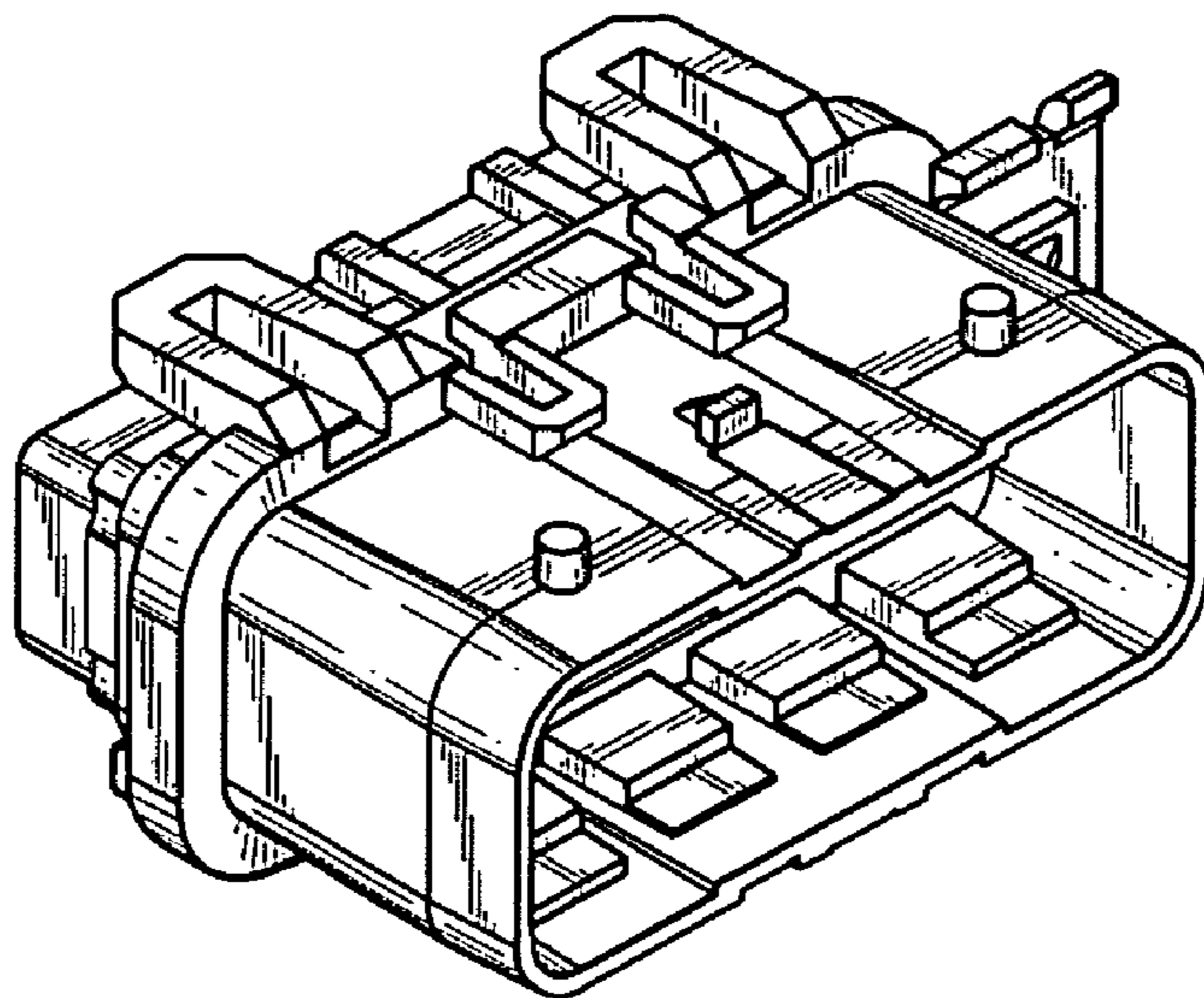


FIG. 2

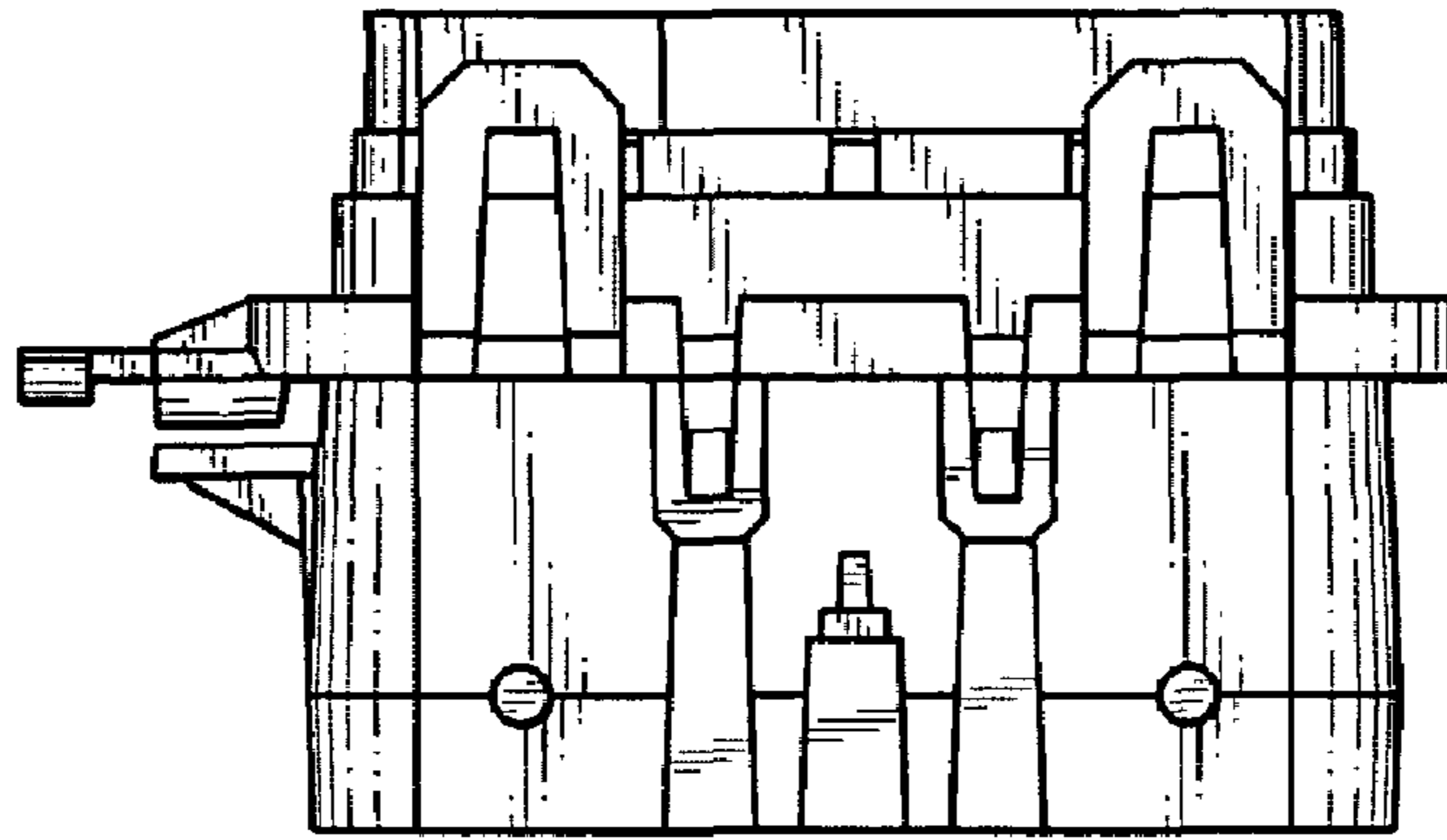


FIG. 4

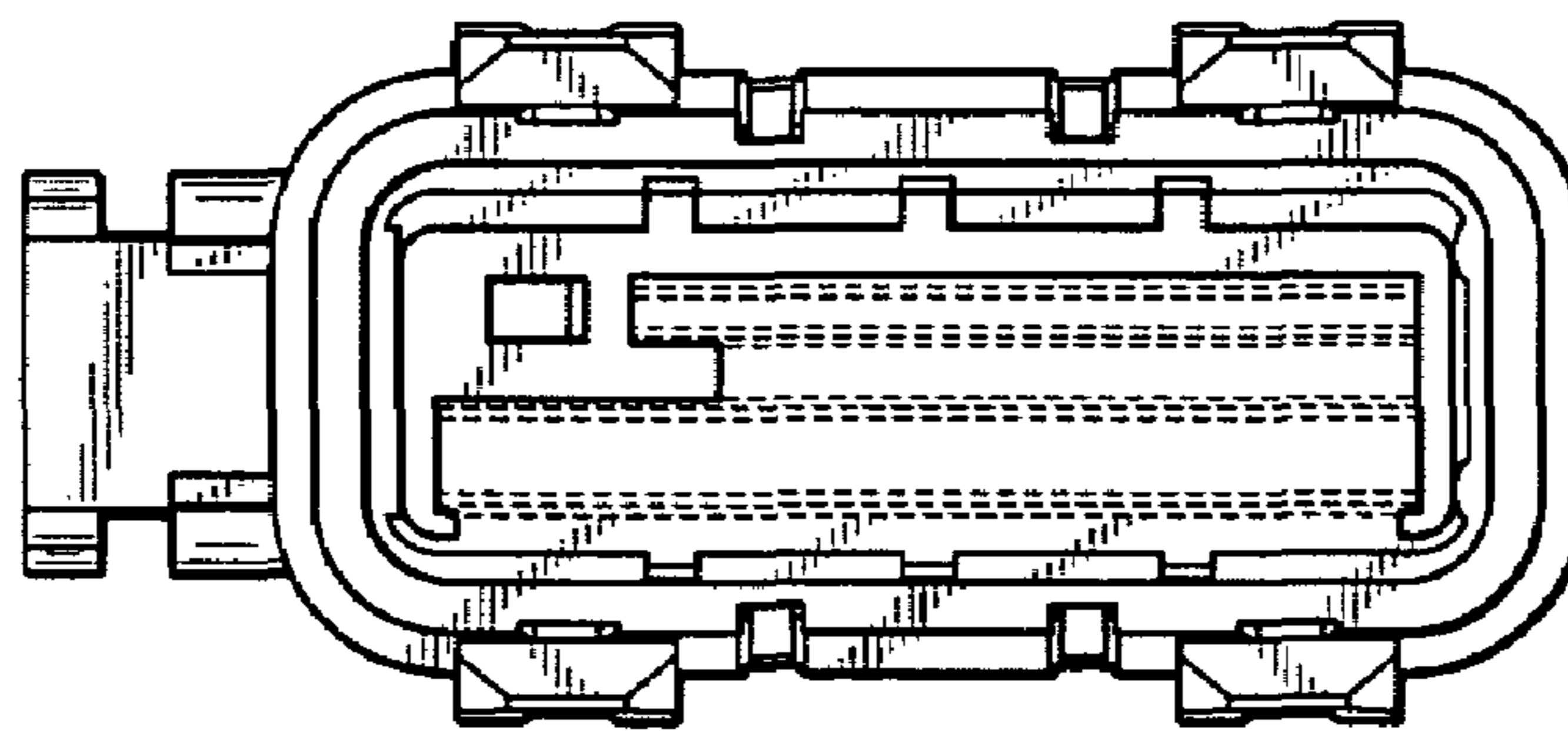


FIG. 3

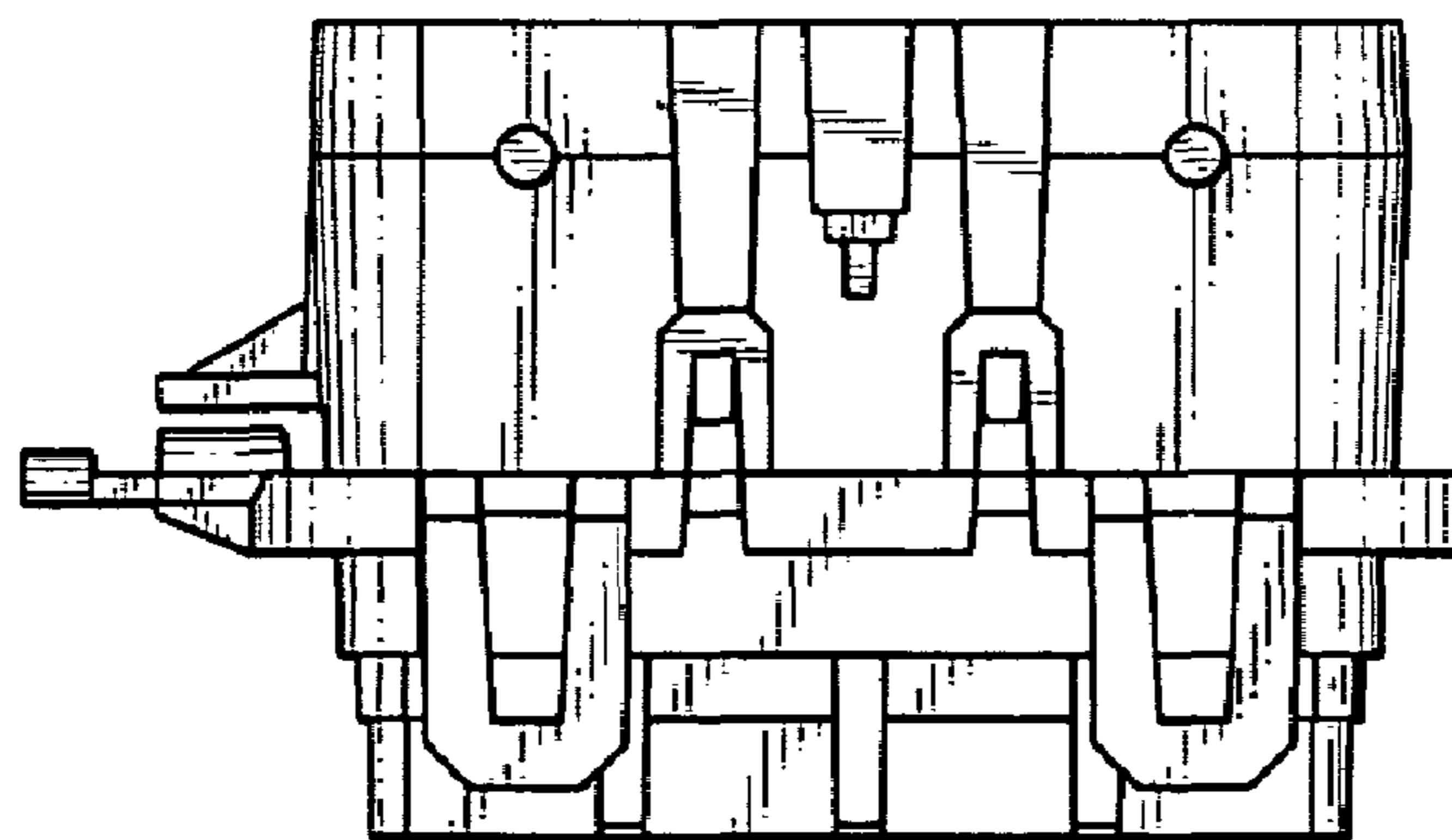


FIG. 5

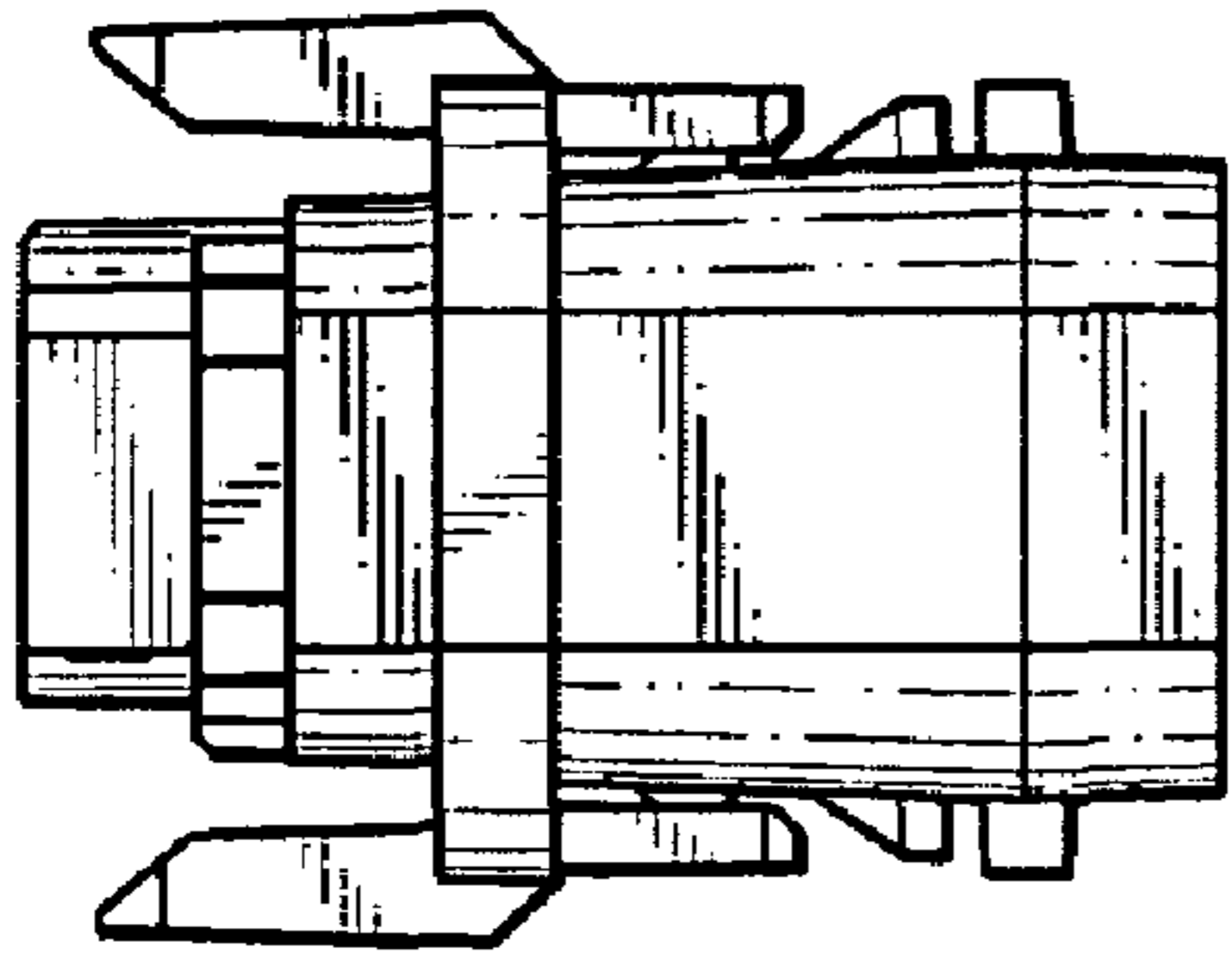


FIG. 6

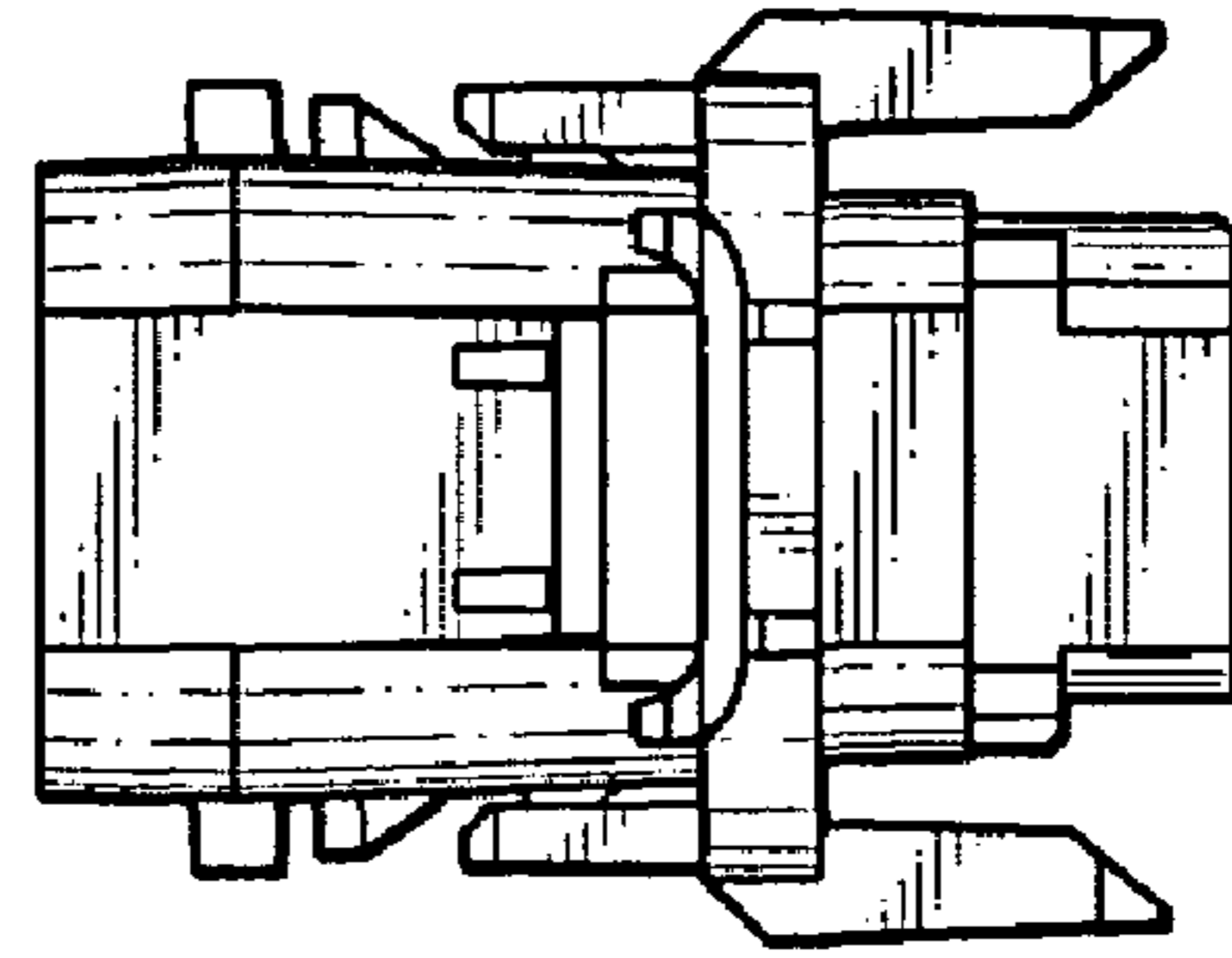


FIG. 7

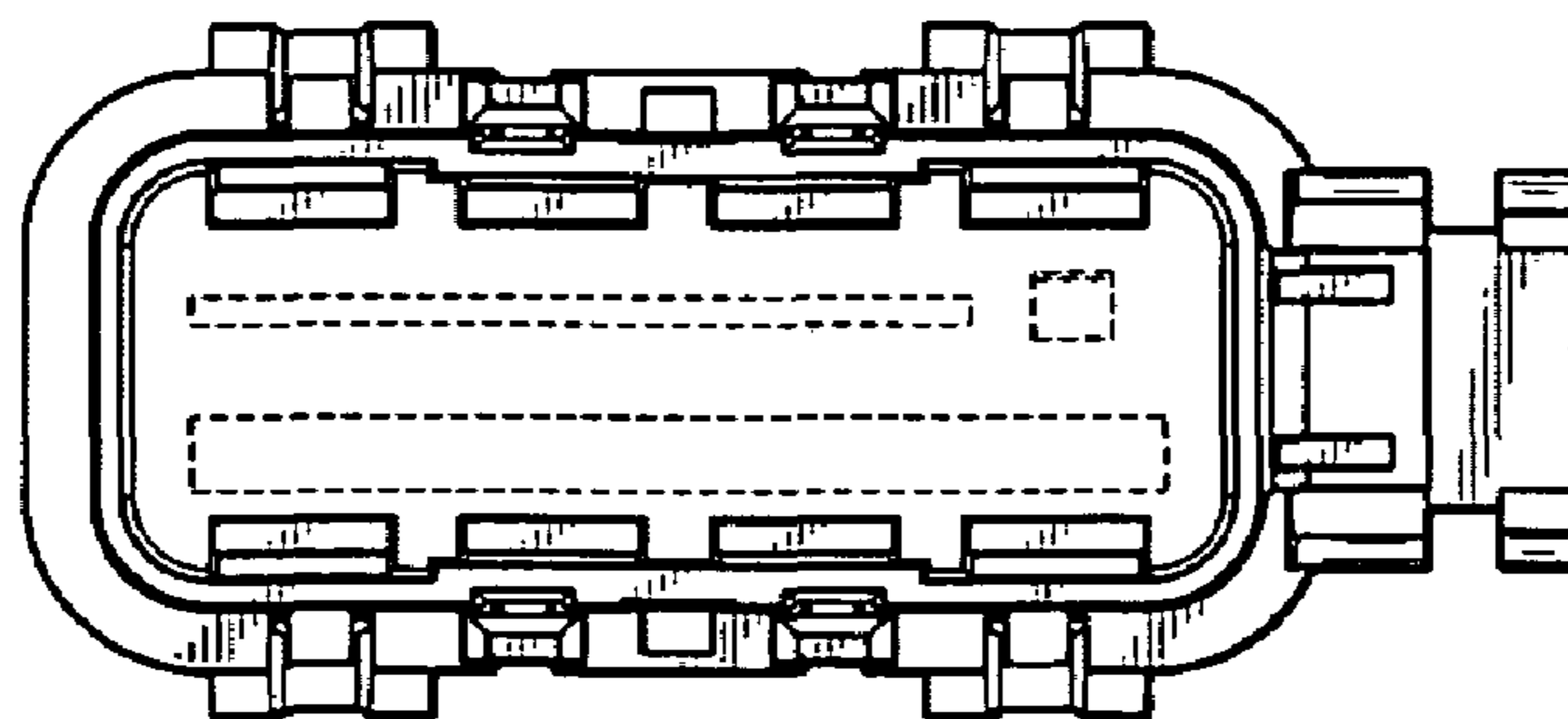


FIG. 8