



US00D593951S

(12) **United States Design Patent**  
**Yoon**

(10) **Patent No.:** **US D593,951 S**  
(45) **Date of Patent:** **\*\* Jun. 9, 2009**

(54) **TERMINAL**

D578,066 S \* 10/2008 So ..... D13/147

(76) Inventor: **Heung-Sik Yoon**, 107-304, Samsung Apt., 437, Changjeon-dong, Mapo-ku, Seoul (KR)

\* cited by examiner

*Primary Examiner*—Daniel D Bui  
*Assistant Examiner*—Thomas J Johannes  
(74) *Attorney, Agent, or Firm*—Robert E. Bushnell, Esq.

(\*\*) Term: **14 Years**

(21) Appl. No.: **29/290,977**

(57) **CLAIM**

(22) Filed: **Feb. 5, 2008**

The ornamental design for a terminal, as shown and described.

(51) **LOC (9) Cl.** ..... **13-03**

(52) **U.S. Cl.** ..... **D13/147**

(58) **Field of Classification Search** ..... D13/123, D13/133, 147, 154, 184, 199; 439/344, 538, 439/535, 536, 540.1, 571, 573, 638, 650, 439/676; D14/140, 217, 240, 256, 299, 356  
See application file for complete search history.

**DESCRIPTION**

This design is installed and used to the surface of a wall of the inside/outside of a house or the inside of a switch box of various machines.

FIG. 1 is top, front and right side oblique view of a terminal showing my new design;

FIG. 2 is a front elevational view thereof;

FIG. 3 is a rear elevational view thereof;

FIG. 4 is a left side elevational view thereof;

FIG. 5 is a right side elevational view thereof;

FIG. 6 is a top plan view thereof; and,

FIG. 7 is a bottom plan view thereof.

The broken line portion of FIG. 7 is included to show unclaimed internal subject matter only and forms no part of the claimed design.

(56) **References Cited**

**U.S. PATENT DOCUMENTS**

D364,383 S *	11/1995	Yamada et al. ....	D13/182
D364,384 S *	11/1995	Shimizu et al. ....	D13/182
5,700,986 A *	12/1997	Rurup et al. ....	200/50.32
5,726,619 A *	3/1998	Hohorst et al. ....	336/192
D444,127 S *	6/2001	Wong .....	D13/146
D471,866 S *	3/2003	Yano et al. ....	D13/147
D570,783 S *	6/2008	So .....	D13/147
D574,329 S *	8/2008	So .....	D13/147

**1 Claim, 4 Drawing Sheets**

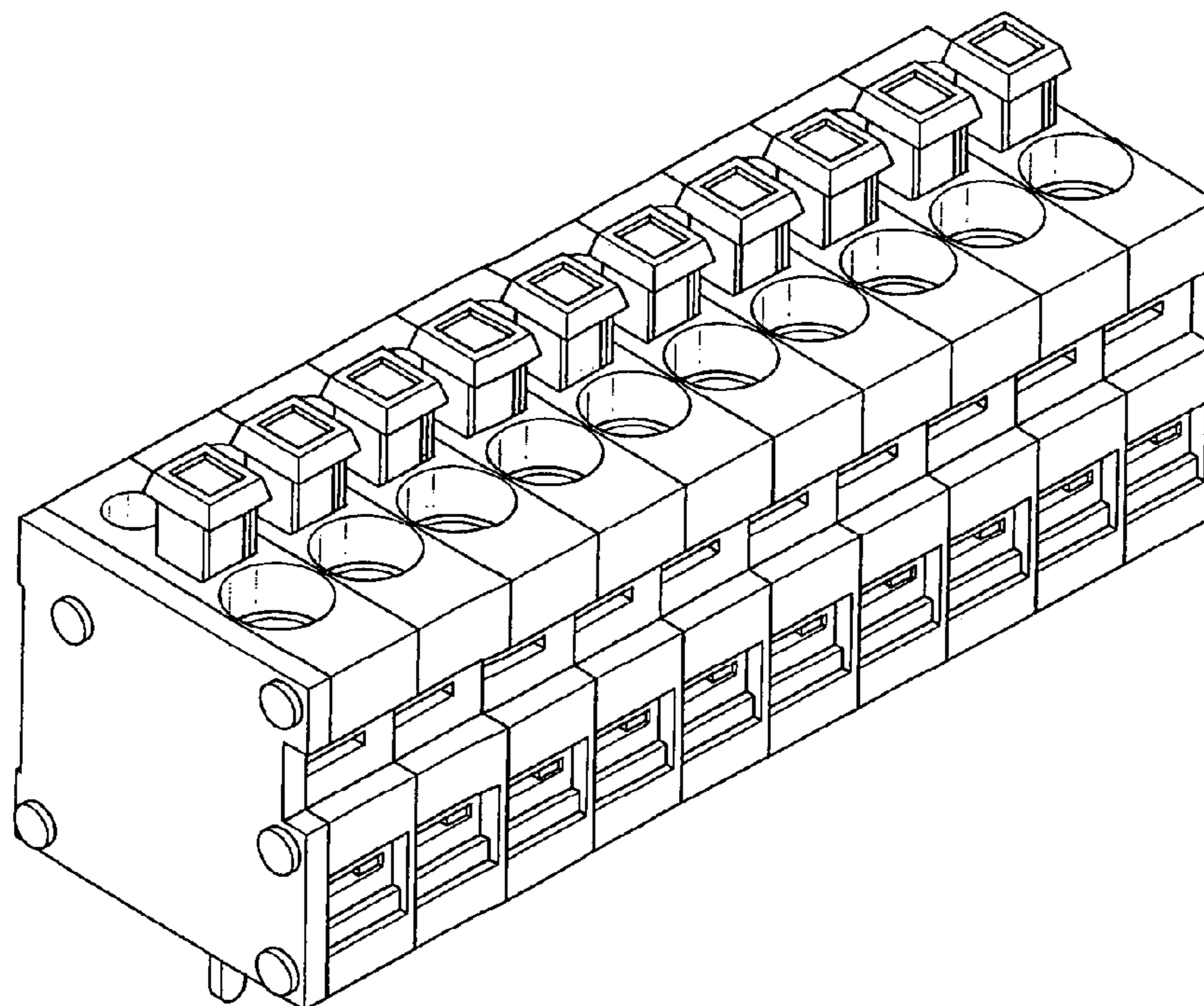


Fig. 1

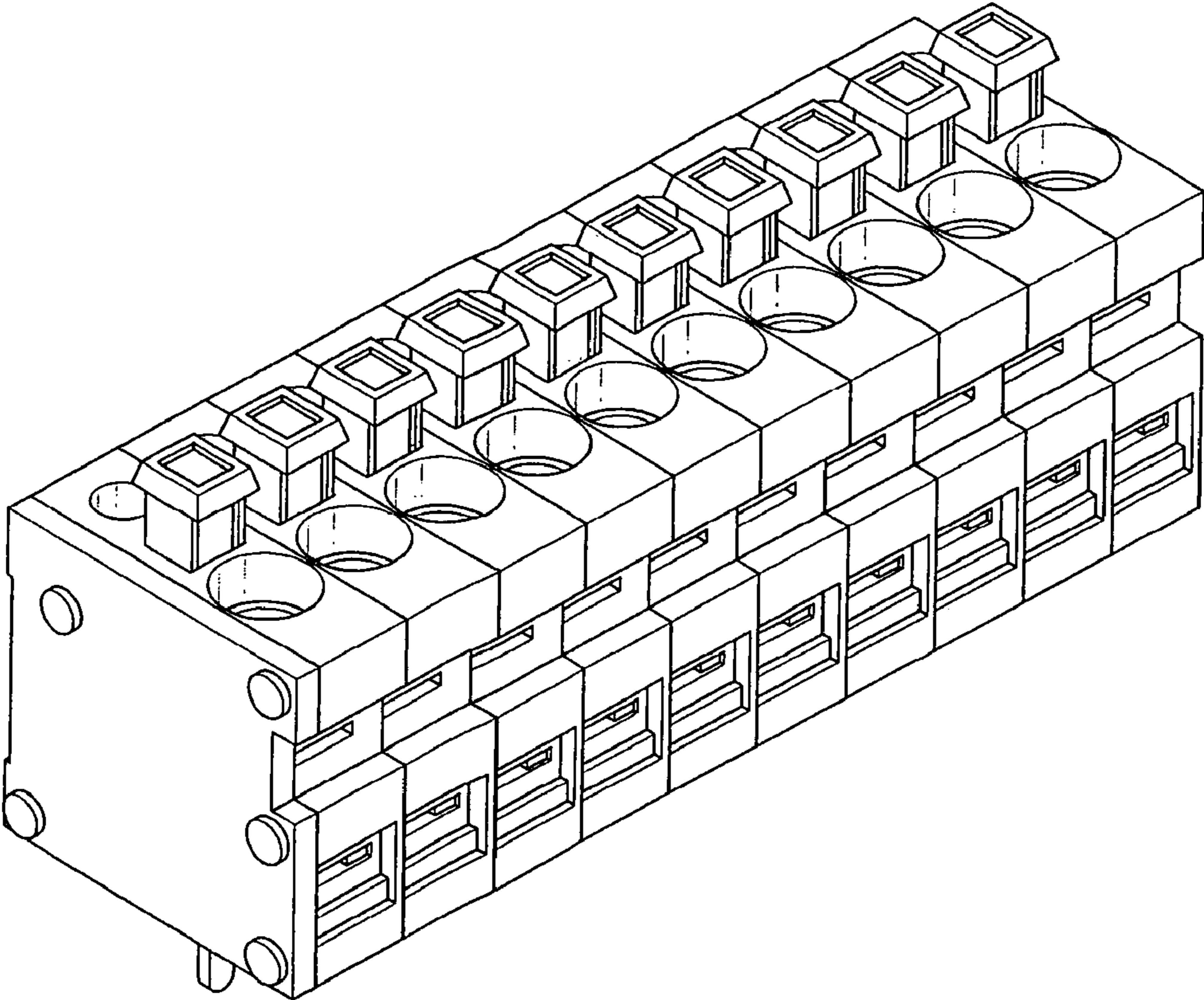


Fig. 2

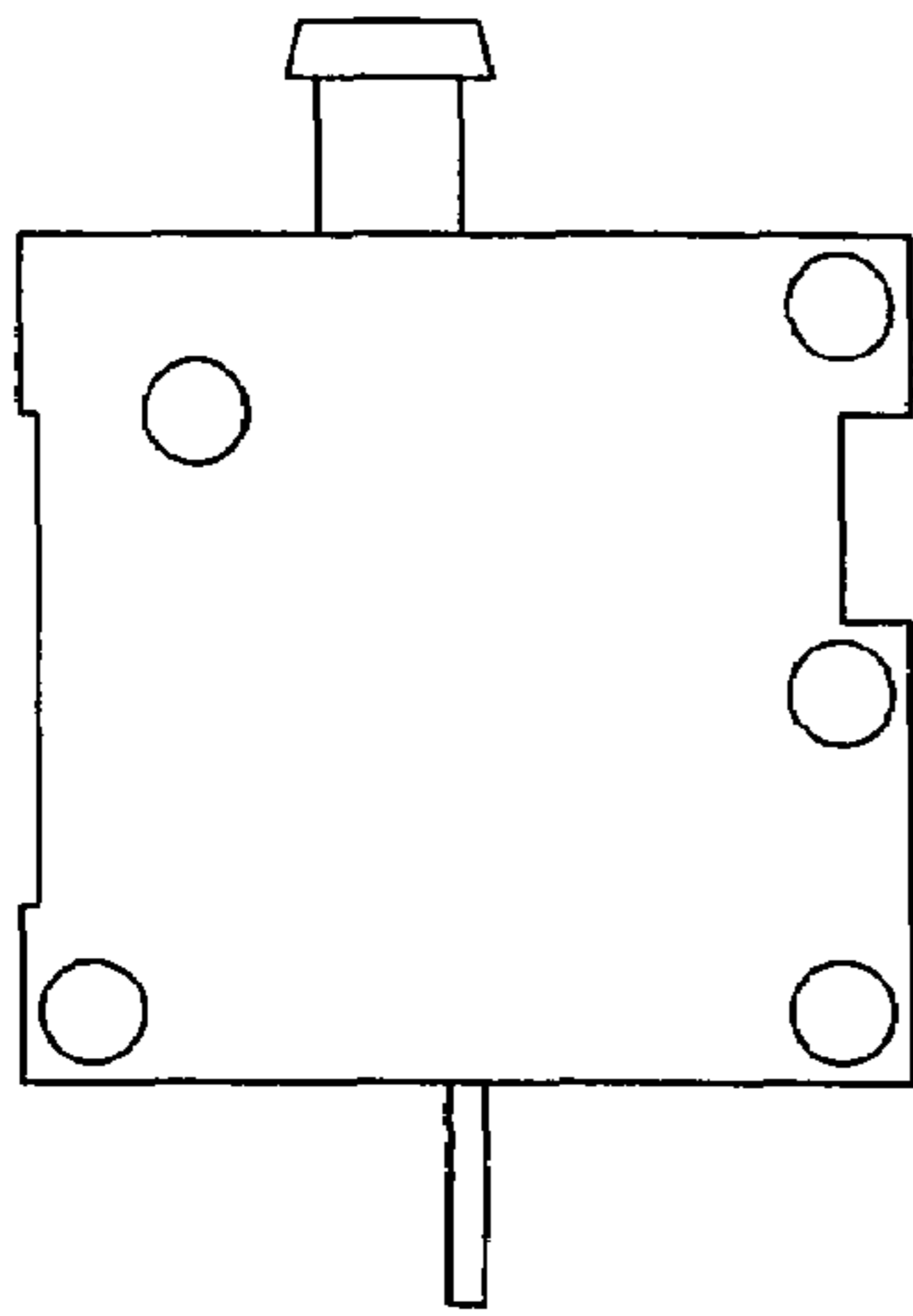


Fig. 3

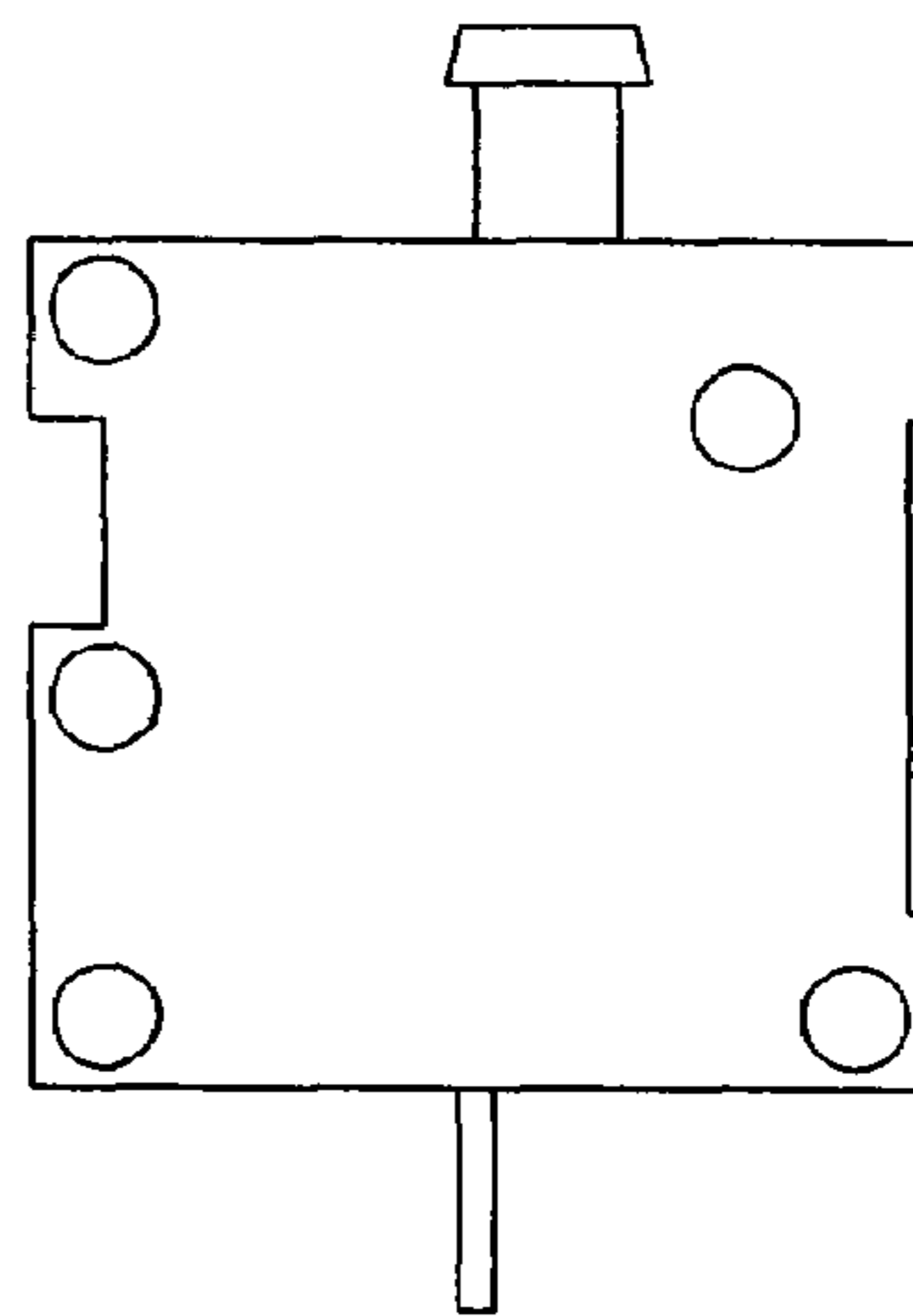


Fig. 4

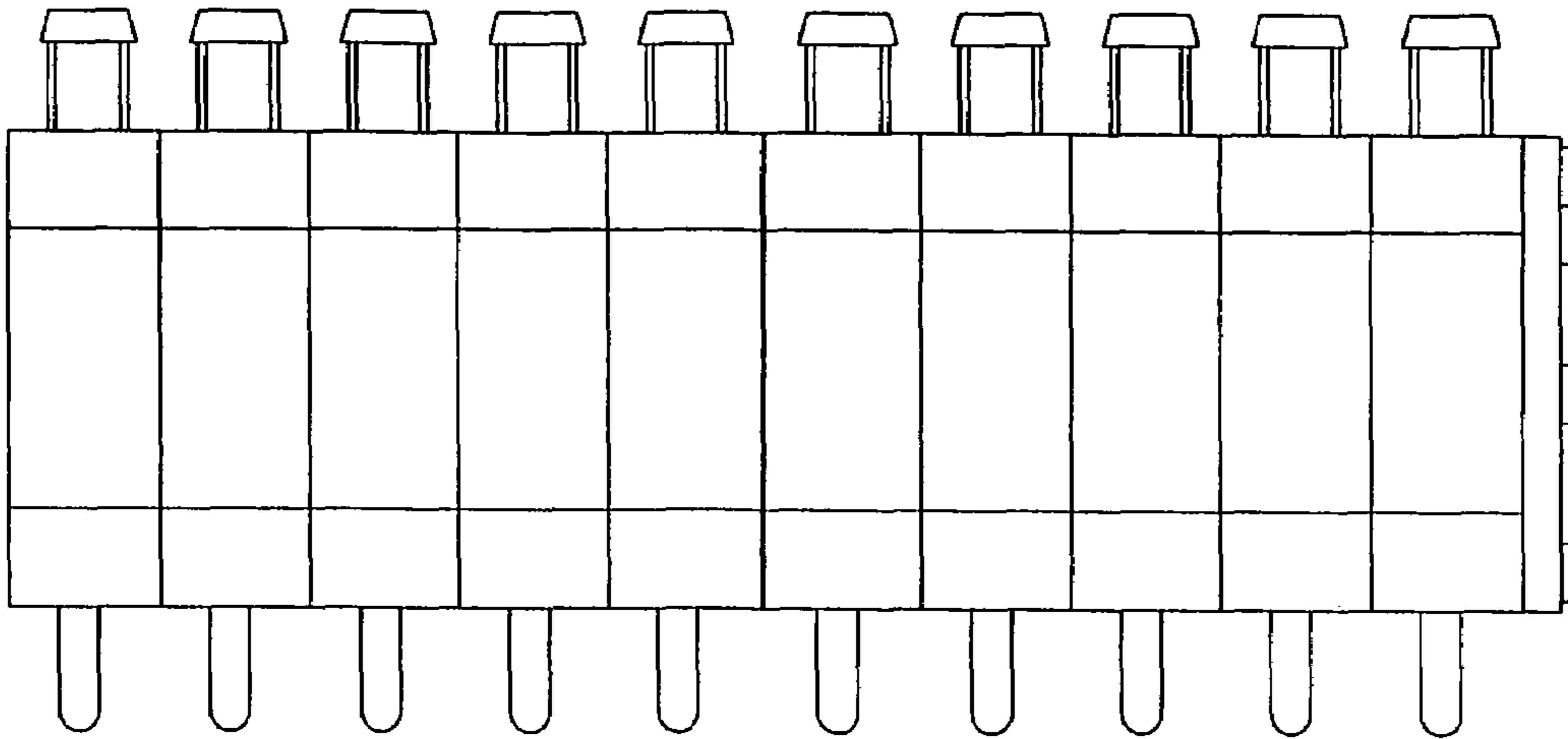


Fig. 5

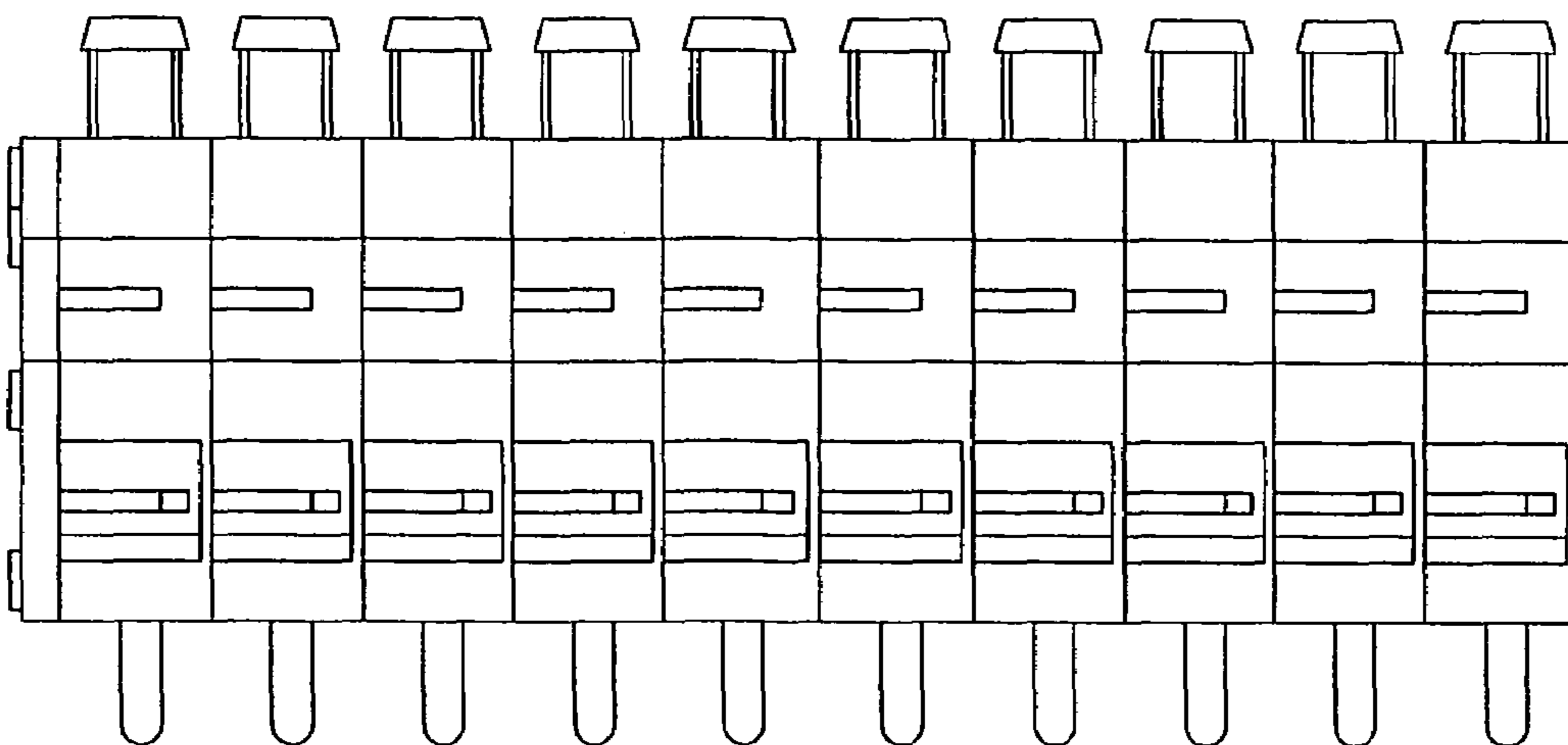


Fig. 6

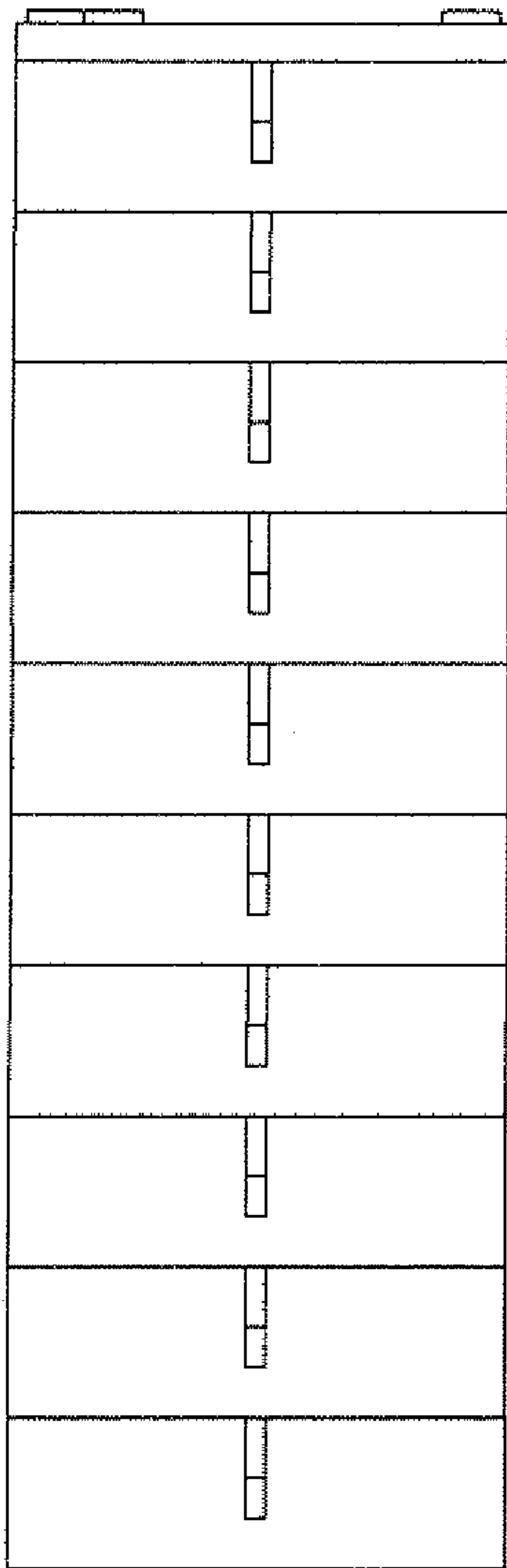


Fig. 7

