



US00D593949S

(12) **United States Design Patent**  
**Biery et al.**

(10) **Patent No.:** **US D593,949 S**  
(45) **Date of Patent:** **\*\* Jun. 9, 2009**

(54) **LAMP CONTROL MODULE**

(75) Inventors: **Ethan Charles Biery**, Orefield, PA (US); **Michael Hash**, West Conshohocken, PA (US); **Marc D'Urbano**, Lansdale, PA (US); **Elliot G. Jacoby**, Glenside, PA (US); **Gregory Altonen**, Easton, PA (US); **Noel Mayo**, Philadelphia, PA (US)

(73) Assignee: **Lutron Electronics Co., Inc.**, Coopersburg, PA (US)

(\*\*) Term: **14 Years**

(21) Appl. No.: **29/303,574**

(22) Filed: **Feb. 12, 2008**

(51) **LOC (9) Cl.** ..... **13-03**  
(52) **U.S. Cl.** ..... **D13/134**  
(58) **Field of Classification Search** ..... D13/134-136, D13/151, 154, 158, 162, 174, 184, 199; 439/336, 439/602; D26/24, 60, 106, 113; 313/318.12; 362/103, 105, 581  
See application file for complete search history.

(56) **References Cited**

U.S. PATENT DOCUMENTS

4,211,959	A	7/1980	Deavenport et al.	
4,591,765	A	5/1986	Beck	
4,630,248	A	12/1986	Scott	
4,632,490	A *	12/1986	Von Gunten	439/642
4,654,541	A	3/1987	Angott	
D292,793	S *	11/1987	Reid, III	D13/134
D310,064	S *	8/1990	Cheng	D13/165
D320,595	S *	10/1991	Fenne	D13/158
5,121,287	A	6/1992	Lee	
D350,730	S *	9/1994	Ayotte	D13/162
D354,730	S *	1/1995	Collins	D13/125
D364,142	S *	11/1995	Metcalf et al.	D13/134
D367,847	S *	3/1996	Tarulli et al.	D13/158
5,962,992	A	10/1999	Huang et al.	
D435,832	S *	1/2001	Jilani	D13/158
6,390,646	B1	5/2002	Yan	

6,494,730 B1 12/2002 Yan  
6,531,824 B1 3/2003 Yan  
RE38,069 E 4/2003 Posa  
6,779,911 B2 8/2004 Chang  
6,802,730 B2 10/2004 Chang

(Continued)

OTHER PUBLICATIONS

Intermatic Corporation, General Catalog, 2007, pp. cover, 124, rear cover.

(Continued)

*Primary Examiner*—Daniel D Bui  
*Assistant Examiner*—Thomas J Johannes  
(74) *Attorney, Agent, or Firm*—Mark E. Rose; Philip N. Smith

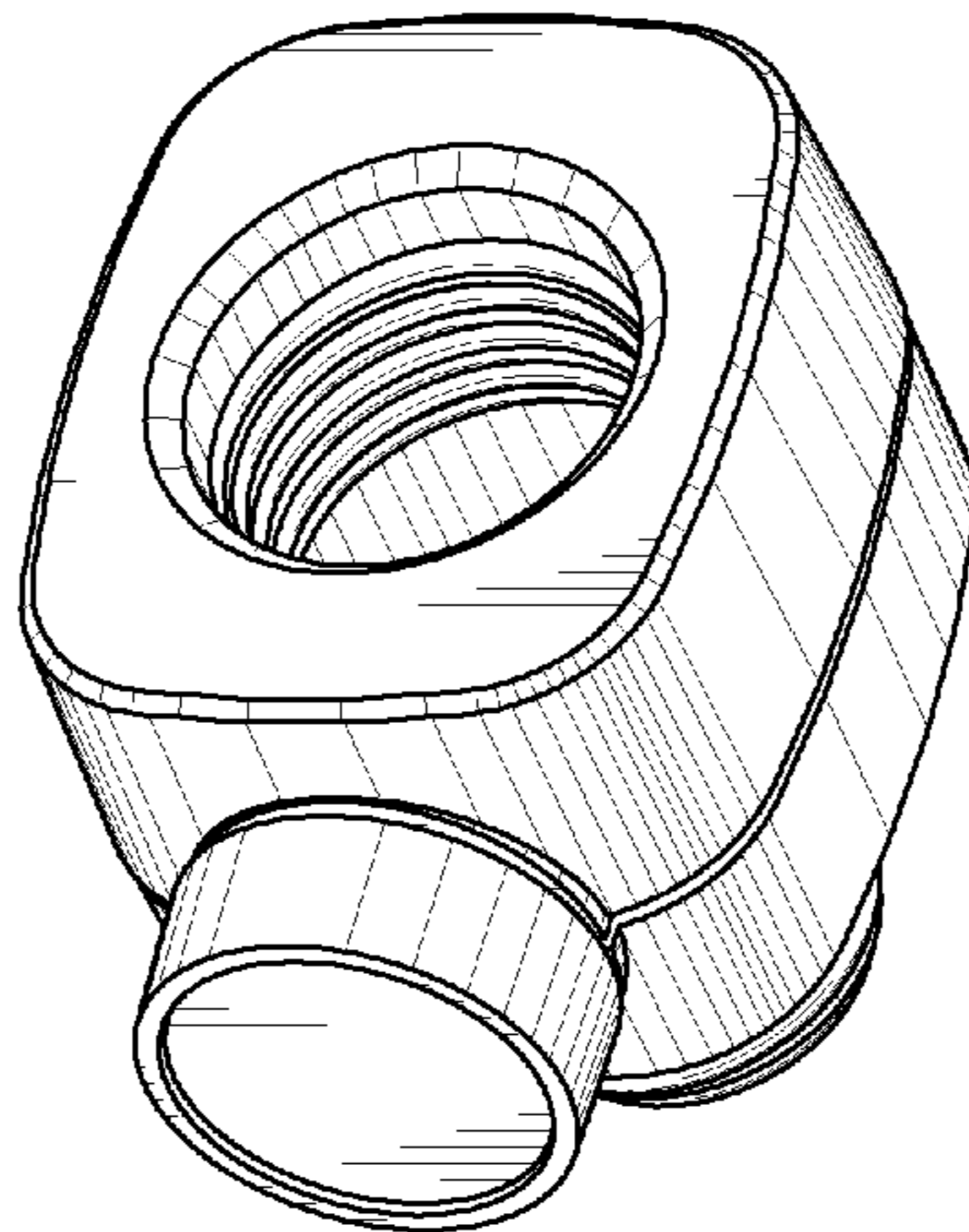
(57) **CLAIM**

We claim the ornamental design for a lamp control module, as shown and described.

**DESCRIPTION**

FIG. 1 is a front perspective view of a lamp control module according to a first embodiment of our new design.  
FIG. 2 is a rear perspective view thereof.  
FIG. 3 is a front view thereof.  
FIG. 4 is a rear view thereof.  
FIG. 5 is a left side view thereof.  
FIG. 6 is a right side view thereof.  
FIG. 7 is a top view thereof.  
FIG. 8 is a bottom view thereof.  
FIG. 9 is a rear perspective view of a lamp control module according to a second embodiment of our new design.  
FIG. 10 is a front view thereof; and,  
FIG. 11 is a bottom view thereof, the front perspective, rear, left side, right side, and top views, respectively, of the second embodiment being identical to the front perspective, rear, left side, right side, and top views of the first embodiment.

**1 Claim, 5 Drawing Sheets**



U.S. PATENT DOCUMENTS

6,888,320 B2 5/2005 Denes  
D517,480 S \* 3/2006 Luo ..... D13/134  
7,125,159 B2 10/2006 Hirsch et al.  
D583,761 S \* 12/2008 Schenck ..... D13/134  
2005/0013196 A1 1/2005 Russo

OTHER PUBLICATIONS

Intermatic Corporation, Model HA05 Screw-In Lamp Module Installation Instructions, not dated, 2 pages.  
Intermatic Corporation, NE1C Product Fact Sheet, Jun. 12, 2002, 1 page.  
Intermatic Corporation, NE2C Product Fact Sheet, Jun. 12, 2002, 1 page.  
Intermatic Corporation, NE200C Product Fact Sheet, Jun. 12, 2002, 1 page.

Intermatic Corporation, NE250C Product Fact Sheet, May 28, 2002, 1 page.  
Desa, Ltd., Ace Remote Controlled Products Installation Instructions, 2005, 32 pages.  
Desa, Ltd., Heath/Zenith Remote Controlled Products Installation Instructions, 2002, 20 pages.  
Desa, Ltd., Heath/Zenith Wireless Lamp/Outlet Modules Installation Instructions, 2001, 12 pages.  
U.S. Appl. No. 11/835,950, filed Aug. 8, 2007, Newman, Jr. et al.  
U.S. Appl. No. 29/284,791, filed Sep. 14, 2007, Ethan Charles Biery.  
U.S. Appl. No. 12/033,329, filed Feb. 19, 2008, Biery et al.  
U.S. Appl. No. 29/306,367, filed Apr. 8, 2008, Biery et al.  
U.S. Appl. No. 29/318,103, filed May 13, 2008, Biery et al.  
Leviton Manufacturing Co., Inc., Lighting and Fan Speed Controls Product Guide, 2006, front cover, p. 7, rear cover.

\* cited by examiner

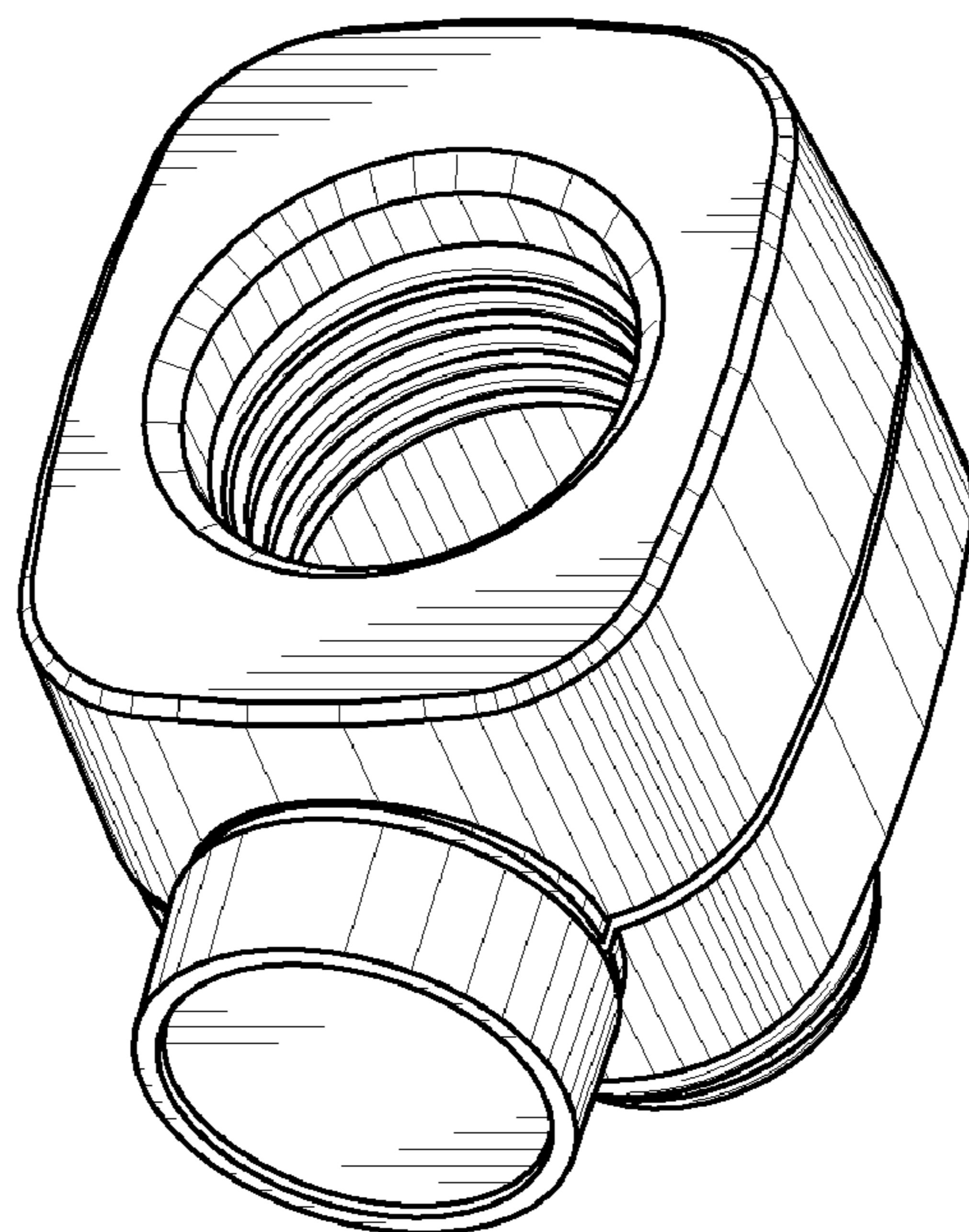


Fig. 1

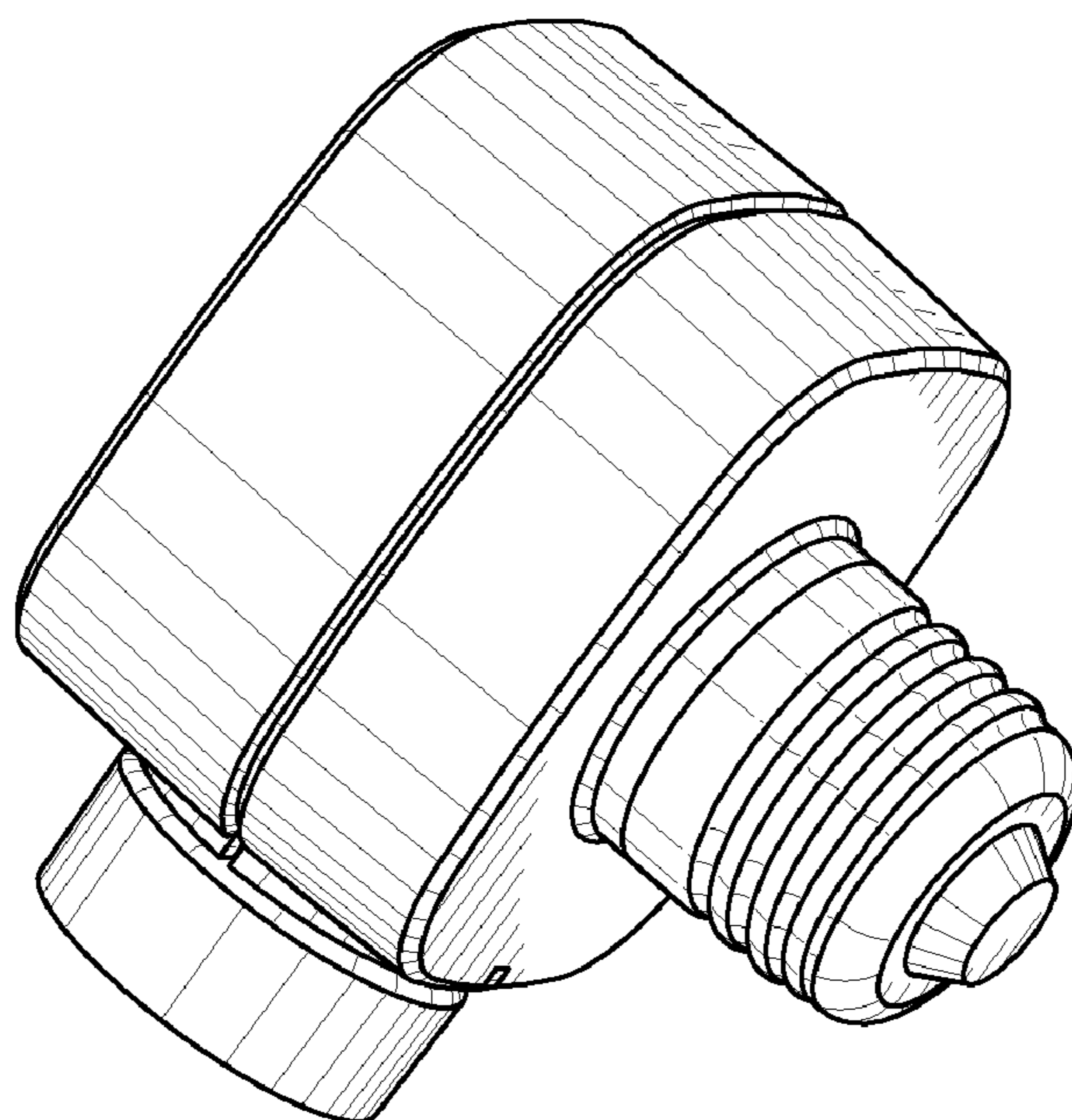


Fig. 2

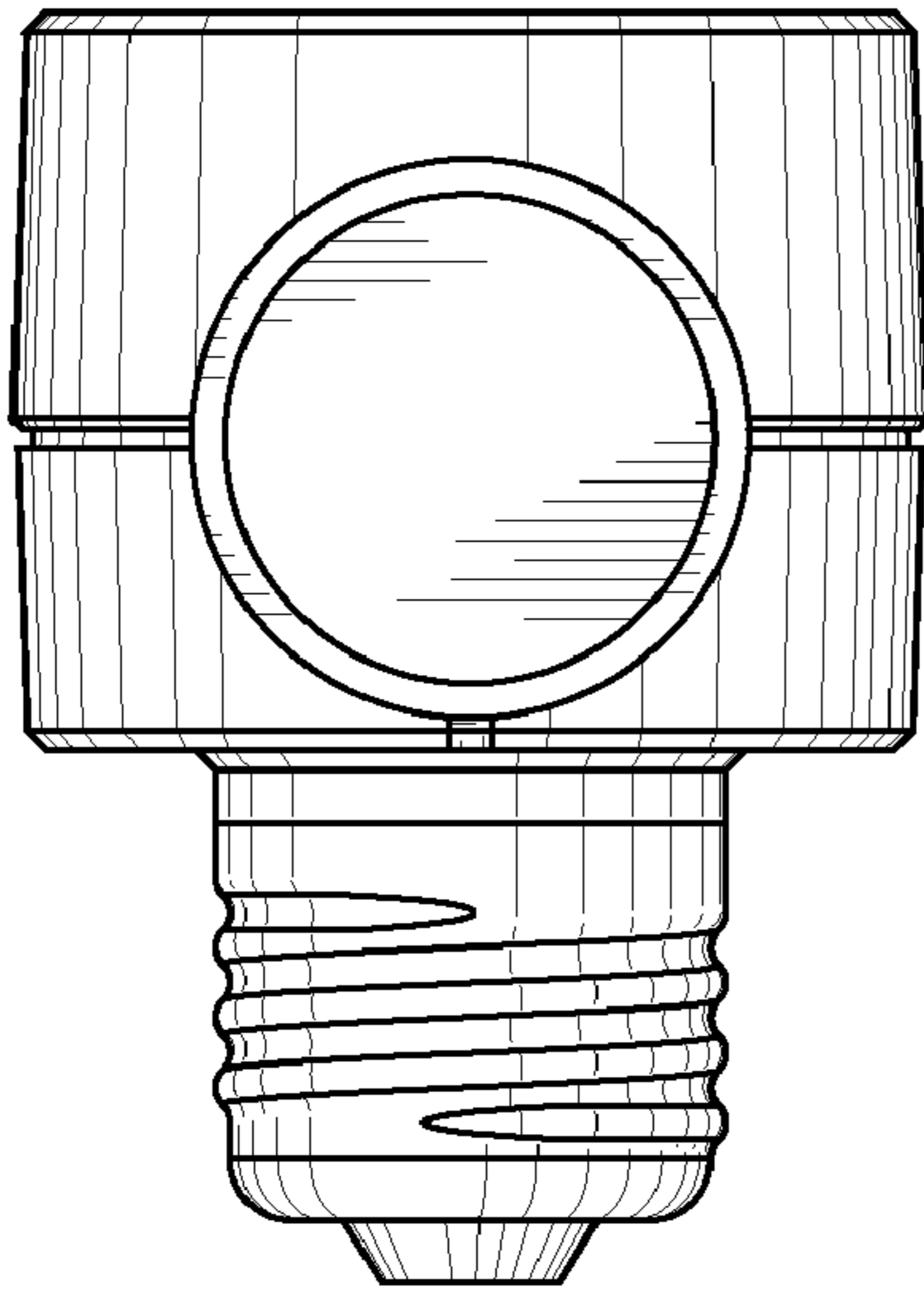


Fig. 3

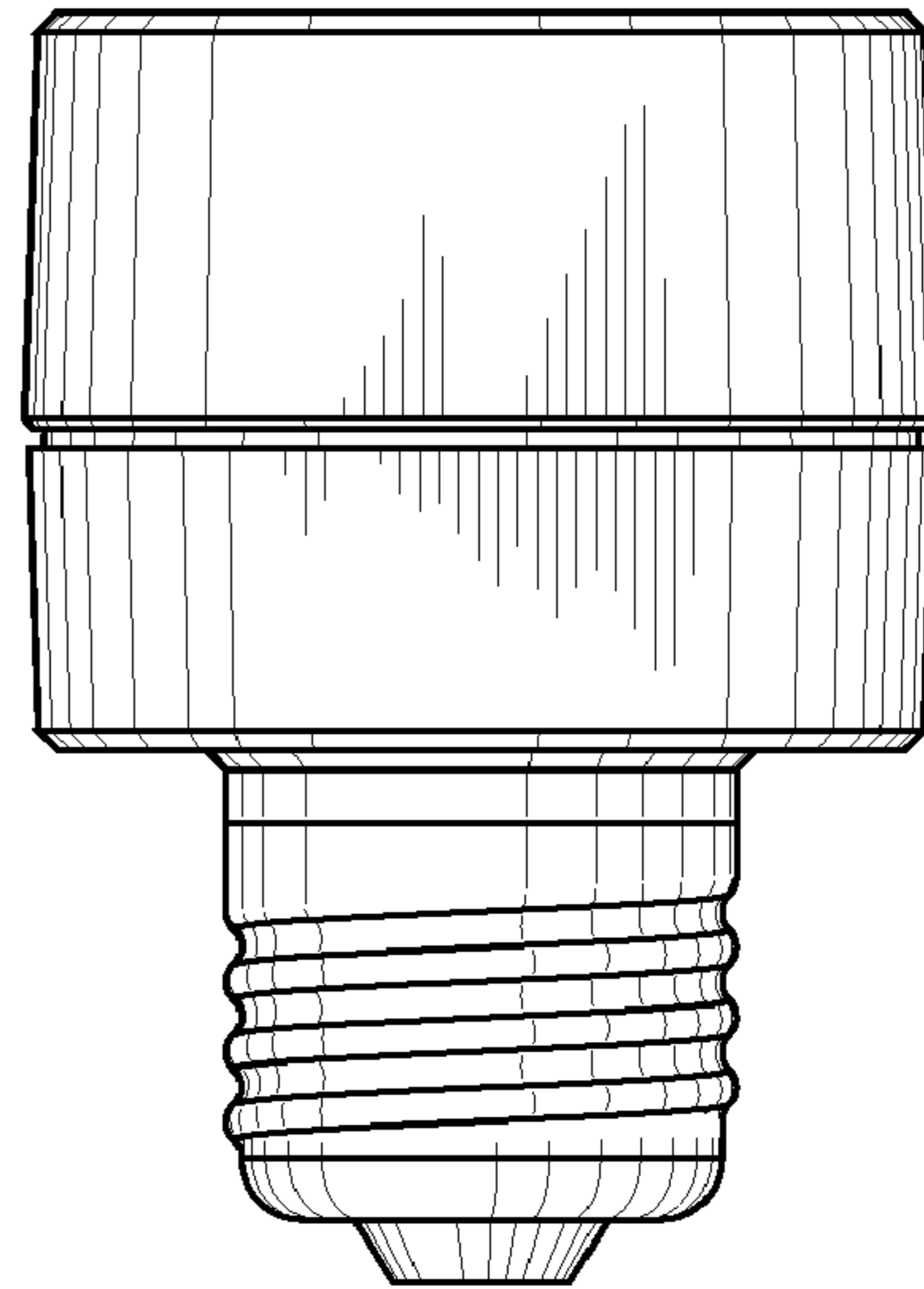


Fig. 4

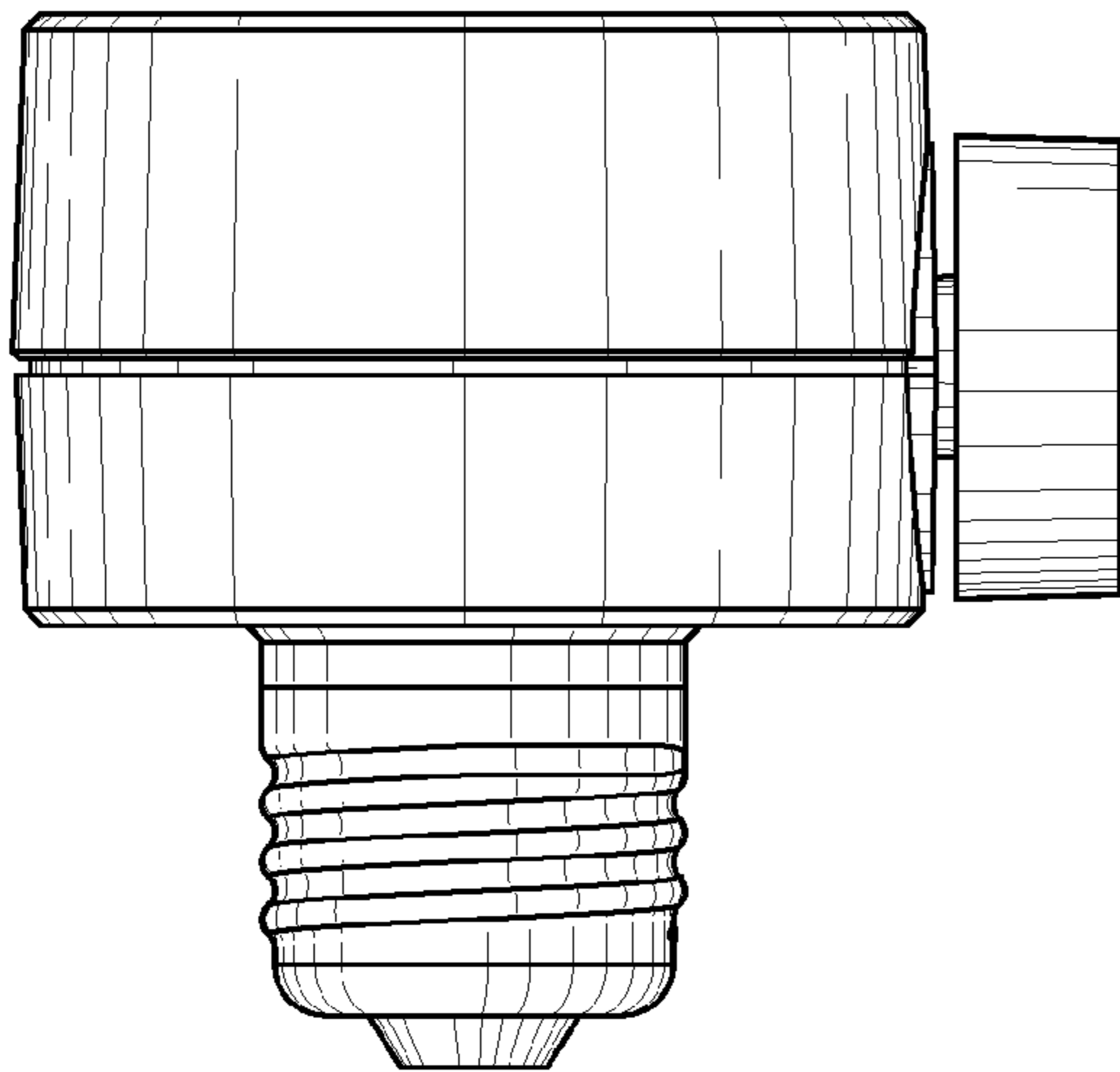


Fig. 5

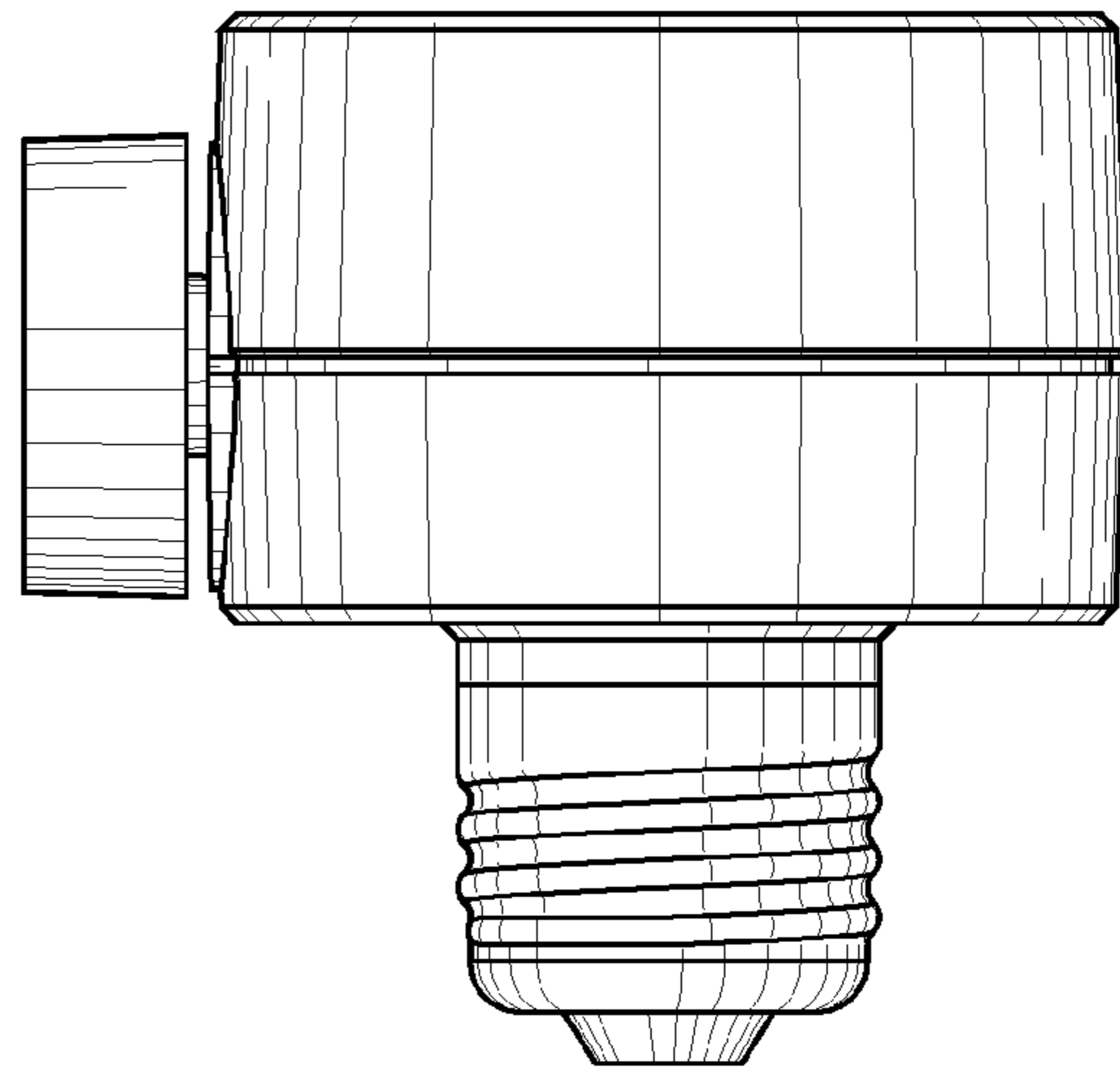


Fig. 6



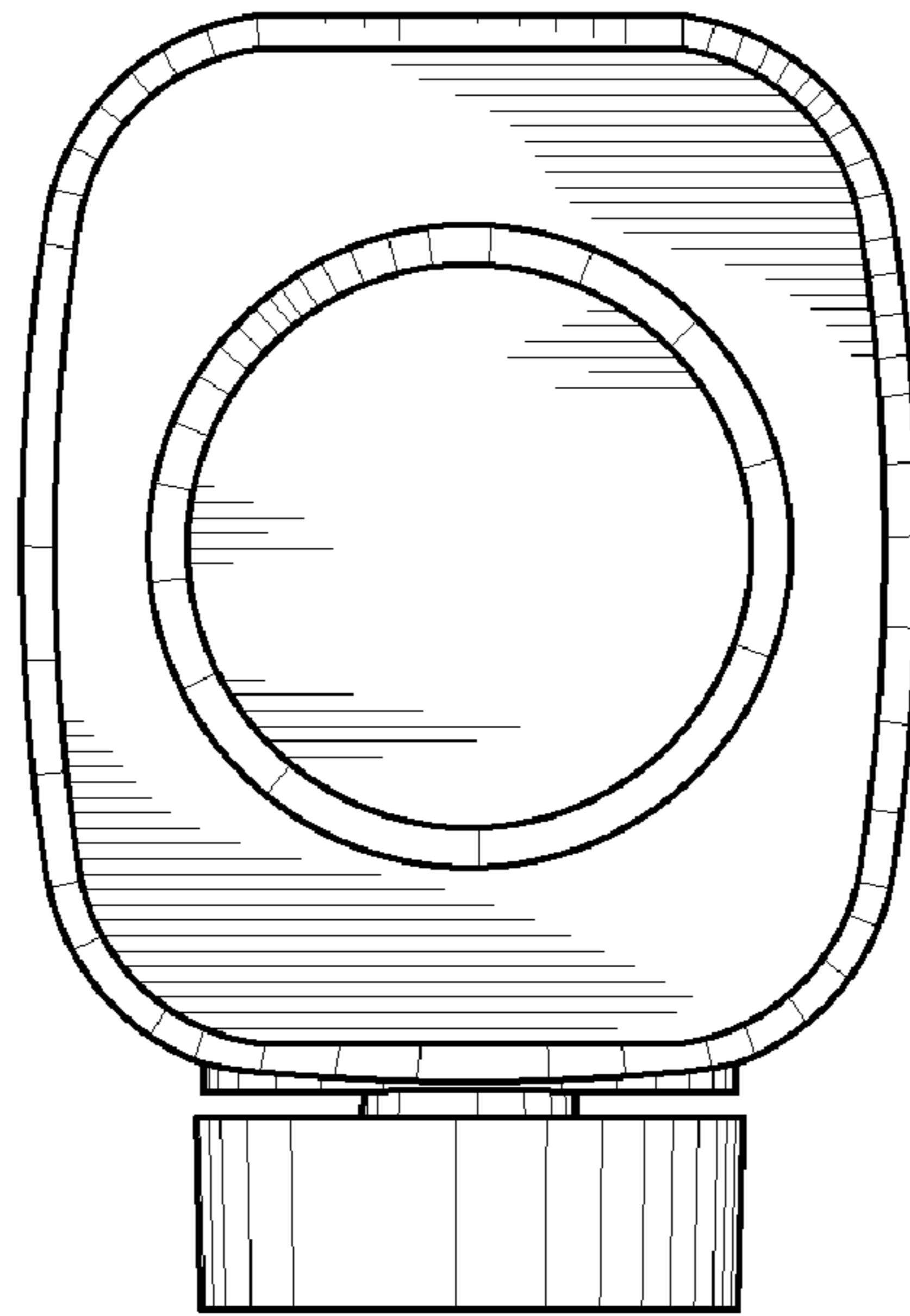


Fig. 7

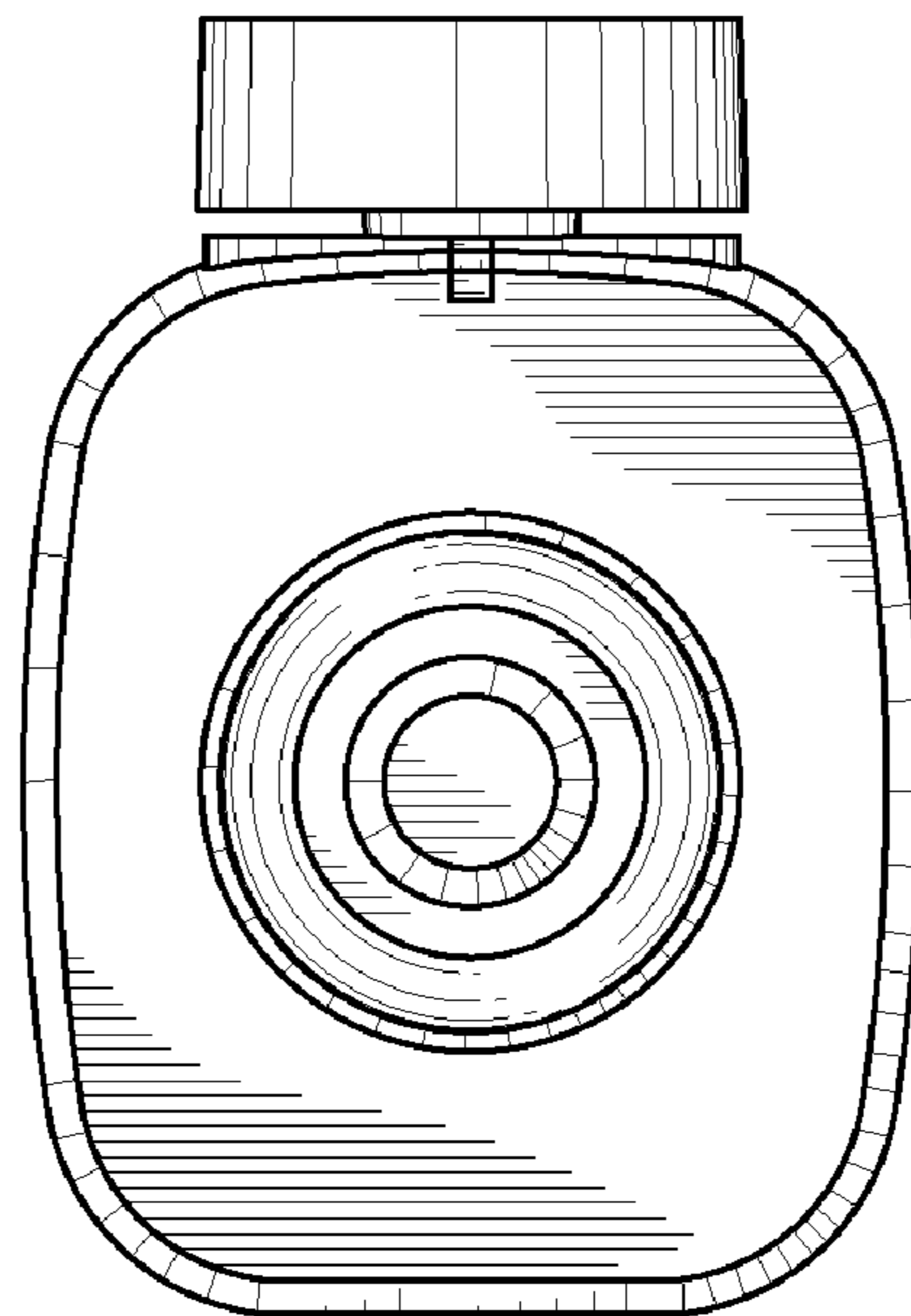


Fig. 8

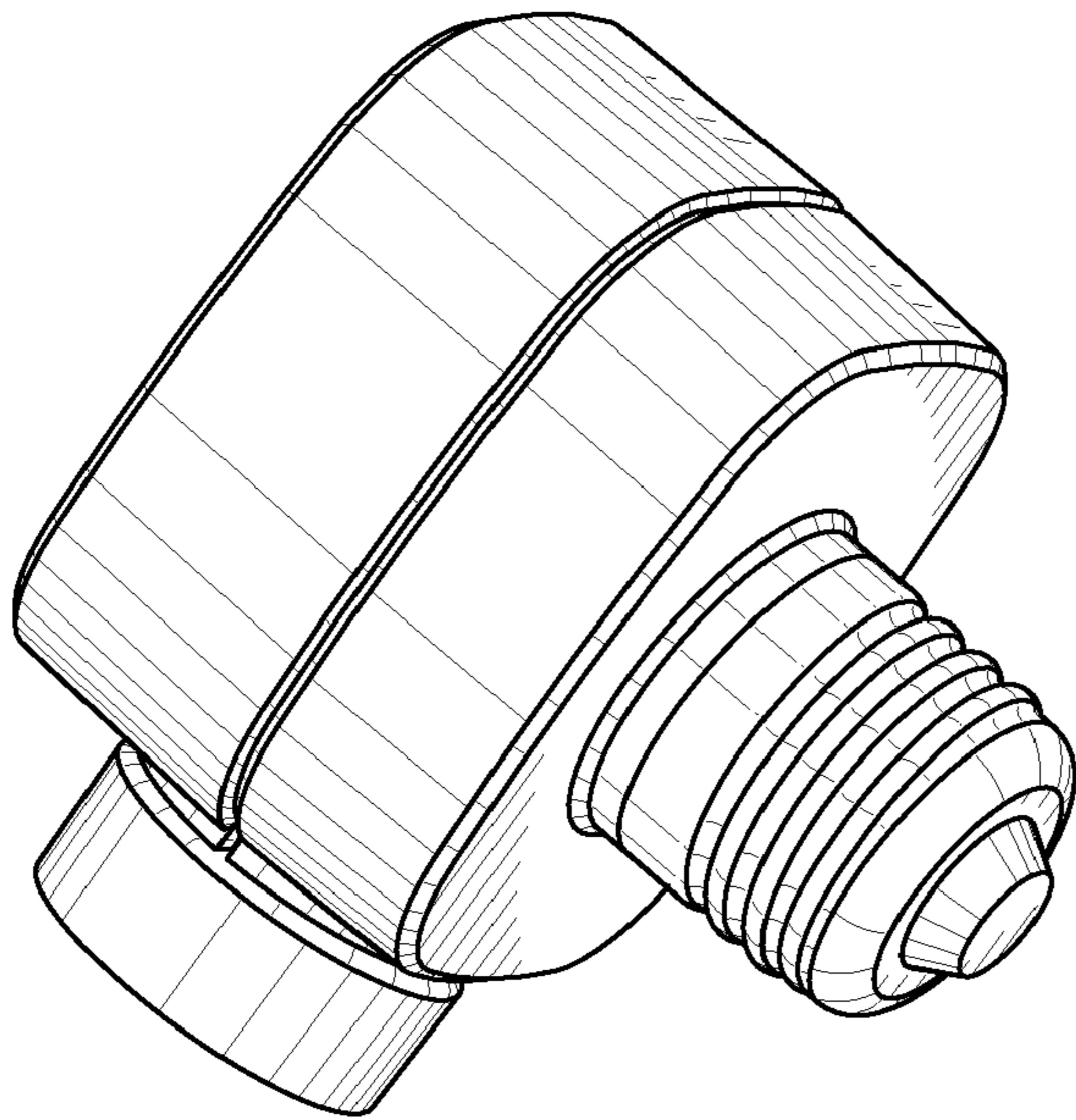


Fig. 9

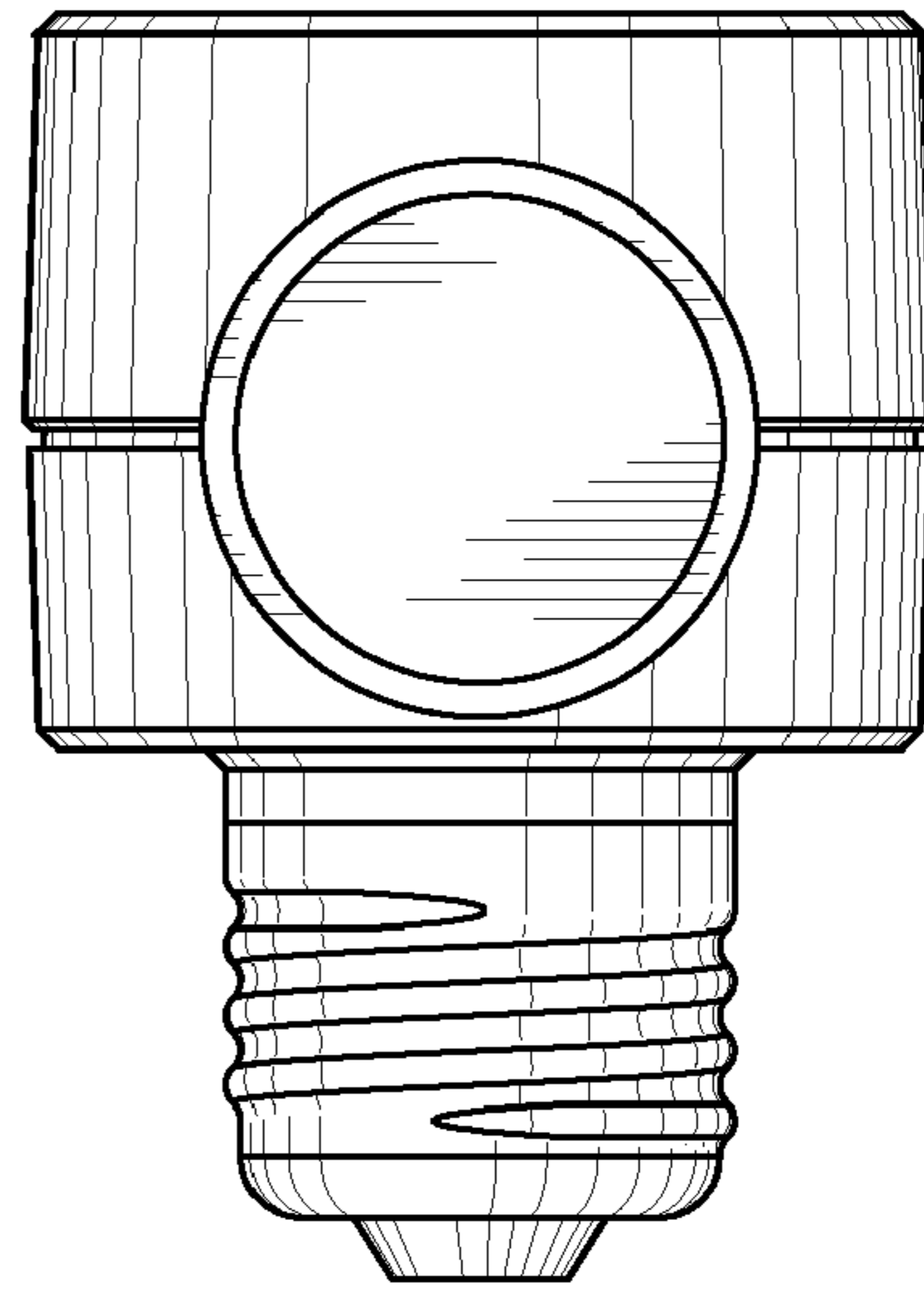


Fig. 10

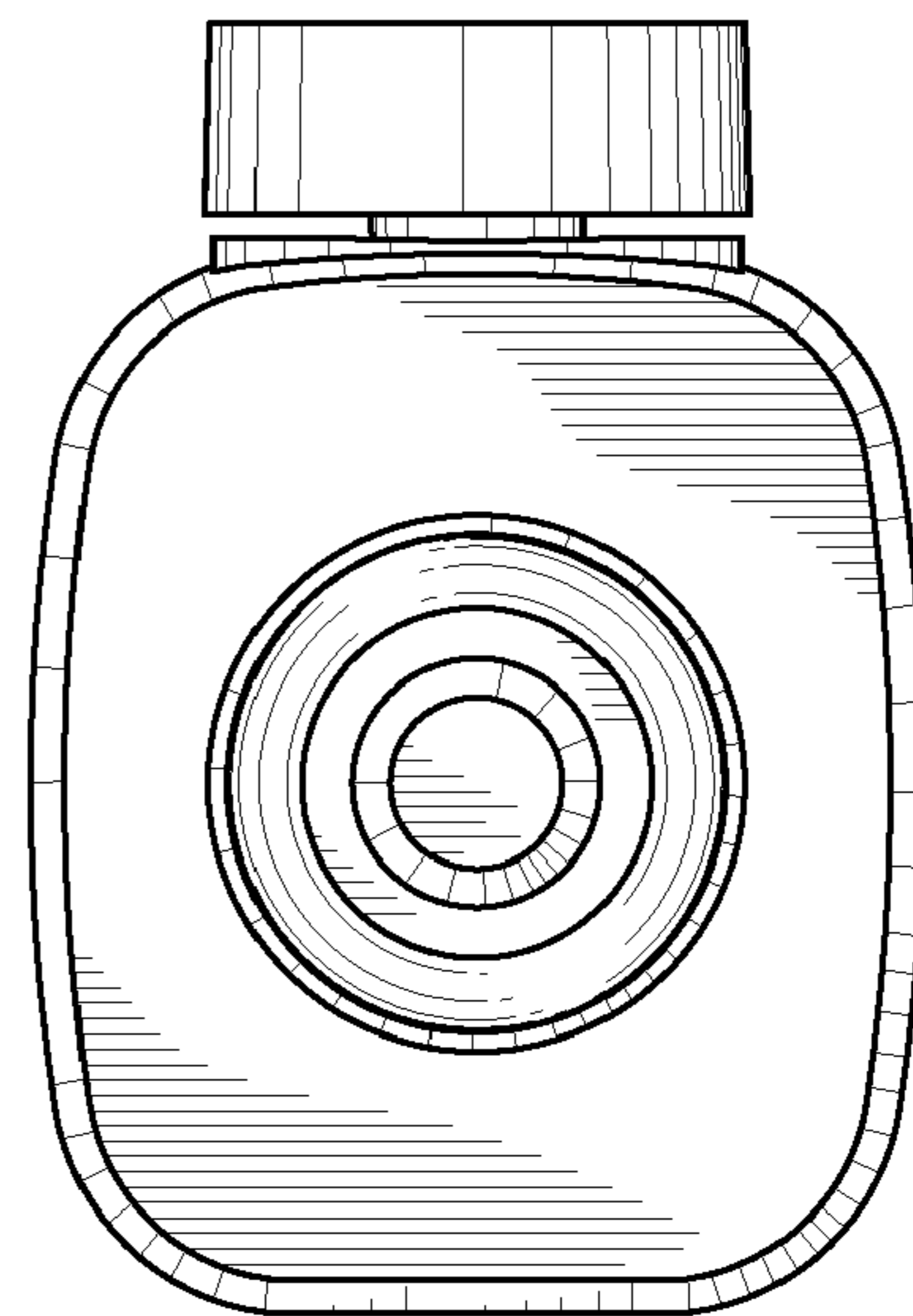


Fig. 11