



US00D593948S

(12) **United States Design Patent**  
**Biery et al.**

(10) **Patent No.:** **US D593,948 S**  
(45) **Date of Patent:** **\*\* Jun. 9, 2009**

(54) **SCREW-IN LAMP CONTROL MODULE**

(57) **CLAIM**

(75) Inventors: **Ethan Charles Biery**, Orefield, PA (US); **Michael Hash**, West Conshohocken, PA (US); **Marc D'Urbano**, Lansdale, PA (US); **Elliot G. Jacoby**, Glenside, PA (US); **Gregory Altonen**, Easton, PA (US)

We claim the ornamental design for a screw-in lamp control module, as shown and described.

(73) Assignee: **Lutron Electronics Co., Inc.**, Coopersburg, PA (US)

**DESCRIPTION**

(\*\*) Term: **14 Years**

(21) Appl. No.: **29/284,791**

FIG. 1 is a perspective view of a screw-in lamp control module according to a first embodiment of our new design.

FIG. 2 is another perspective view thereof.

FIG. 3 is a front view thereof.

FIG. 4 is a rear view thereof.

FIG. 5 is a left side view thereof.

FIG. 6 is a right side view thereof.

FIG. 7 is a top view thereof.

FIG. 8 is a bottom view thereof.

(22) Filed: **Sep. 14, 2007**

(51) **LOC (9) Cl.** ..... **13-03**

(52) **U.S. Cl.** ..... **D13/134**

(58) **Field of Classification Search** ..... D13/134-136, D13/151, 154, 158, 162, 174, 184, 199; 439/336, 439/602; D26/24, 60, 106, 113; 313/318.12; 362/103, 105, 581

FIG. 9 is a perspective view of a screw-in lamp control module according to a second embodiment of our new design.

FIG. 10 is another perspective view thereof.

FIG. 11 is a front view thereof.

FIG. 12 is a rear view thereof.

FIG. 13 is a left side view thereof.

FIG. 14 is a right side view thereof.

FIG. 15 is a top view thereof.

FIG. 16 is a bottom view thereof.

See application file for complete search history.

(56) **References Cited**

**U.S. PATENT DOCUMENTS**

4,211,959 A 7/1980 Deavenport et al.

FIG. 17 is a perspective view of a screw-in lamp control module according to a third embodiment of our new design.

FIG. 18 is another perspective view thereof.

FIG. 19 is a front view thereof.

FIG. 20 is a rear view thereof.

FIG. 21 is a left side view thereof.

FIG. 22 is a right side view thereof.

FIG. 23 is a top view thereof; and,

FIG. 24 is a bottom view thereof.

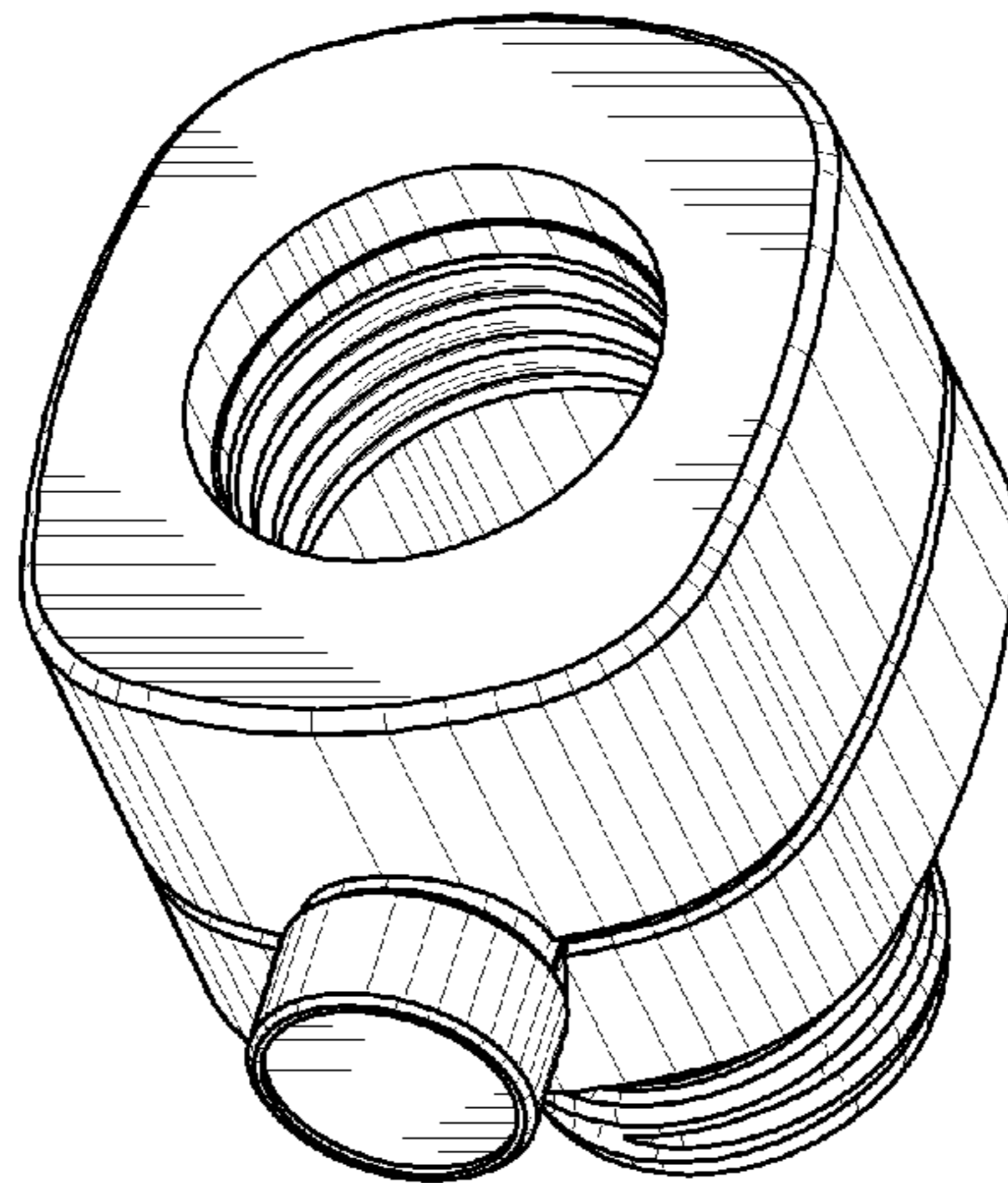
(Continued)  
**OTHER PUBLICATIONS**

U.S. Appl. No. 12/033,329, filed Feb. 19, 2008, Biery et al.

(Continued)

*Primary Examiner*—Daniel D Bui  
*Assistant Examiner*—Thomas J Johannes  
(74) *Attorney, Agent, or Firm*—Mark E. Rose; Philip N. Smith

**1 Claim, 12 Drawing Sheets**



U.S. PATENT DOCUMENTS

4,591,765 A 5/1986 Beck  
 4,630,248 A 12/1986 Scott  
 4,632,490 A \* 12/1986 Von Gunten ..... 439/642  
 4,654,541 A 3/1987 Angott  
 D292,793 S \* 11/1987 Reid, III ..... D13/134  
 D310,064 S \* 8/1990 Cheng ..... D13/165  
 D320,595 S \* 10/1991 Fenne ..... D13/158  
 5,121,287 A 6/1992 Lee  
 D350,730 S \* 9/1994 Ayotte ..... D13/162  
 D354,730 S \* 1/1995 Collins ..... D13/125  
 D364,142 S \* 11/1995 Metcalfe et al. .... D13/134  
 D367,847 S \* 3/1996 Tarulli et al. .... D13/158  
 5,962,992 A 10/1999 Huang et al.  
 D435,832 S \* 1/2001 Jilani ..... D13/158  
 6,390,646 B1 5/2002 Yan  
 6,494,730 B1 12/2002 Yan  
 6,531,824 B1 3/2003 Yan  
 RE38,069 E 4/2003 Posa  
 6,779,911 B2 8/2004 Chang  
 6,802,730 B2 10/2004 Chang  
 6,888,320 B2 5/2005 Denes  
 D517,480 S \* 3/2006 Luo ..... D13/134  
 7,125,159 B2 10/2006 Hirsch et al.  
 D583,761 S \* 12/2008 Schenck ..... D13/134  
 2005/0013196 A1 1/2005 Russo

OTHER PUBLICATIONS

U.S. Appl. No. 29/303,574, filed Feb. 12, 2008, Biery et al.  
 U.S. Appl. No. 29/306,367, filed Apr. 8, 2008, Biery et al.

U.S. Appl. No. 29/318,103, filed May 13, 2008, Biery et al.  
 Leviton Manufacturing Co., Inc., Lighting and Fan Speed Controls Product Guide, 2006, front cover, p. 7, rear cover.  
 U.S. Appl. No. 11/835,950, filed Aug. 8, 2007, Newman, Jr. et al.  
 Intermatic Corporation, General Catalog, 2007, pp. cover, 124, rear cover.  
 Intermatic Corporation, Model HA05 Screw-In Lamp Module Installation Instructions, not dated, 2 pages.  
 Intermatic Corporation, NE1C Product Fact Sheet, Jun. 12, 2002, 1 page.  
 Intermatic Corporation, NE2C Product Fact Sheet, Jun. 12, 2002, 1 page.  
 Intermatic Corporation, NE200C Product Fact Sheet, Jun. 12, 2002, 1 page.  
 Intermatic Corporation, NE250C Product Fact Sheet, May 28, 2002, 1 page.  
 Desa, Ltd., Ace Remote Controlled Products Installation Instructions, 2005, 32 pages.  
 Desa, Ltd., Heath/Zenith Remote Controlled Products Installation Instructions, 2002, 20, pages.  
 Desa, Ltd., Heath/Zenith Wireless Lamp/Outlet Modules Installation Instructions, 2001, 12 pages.

\* cited by examiner

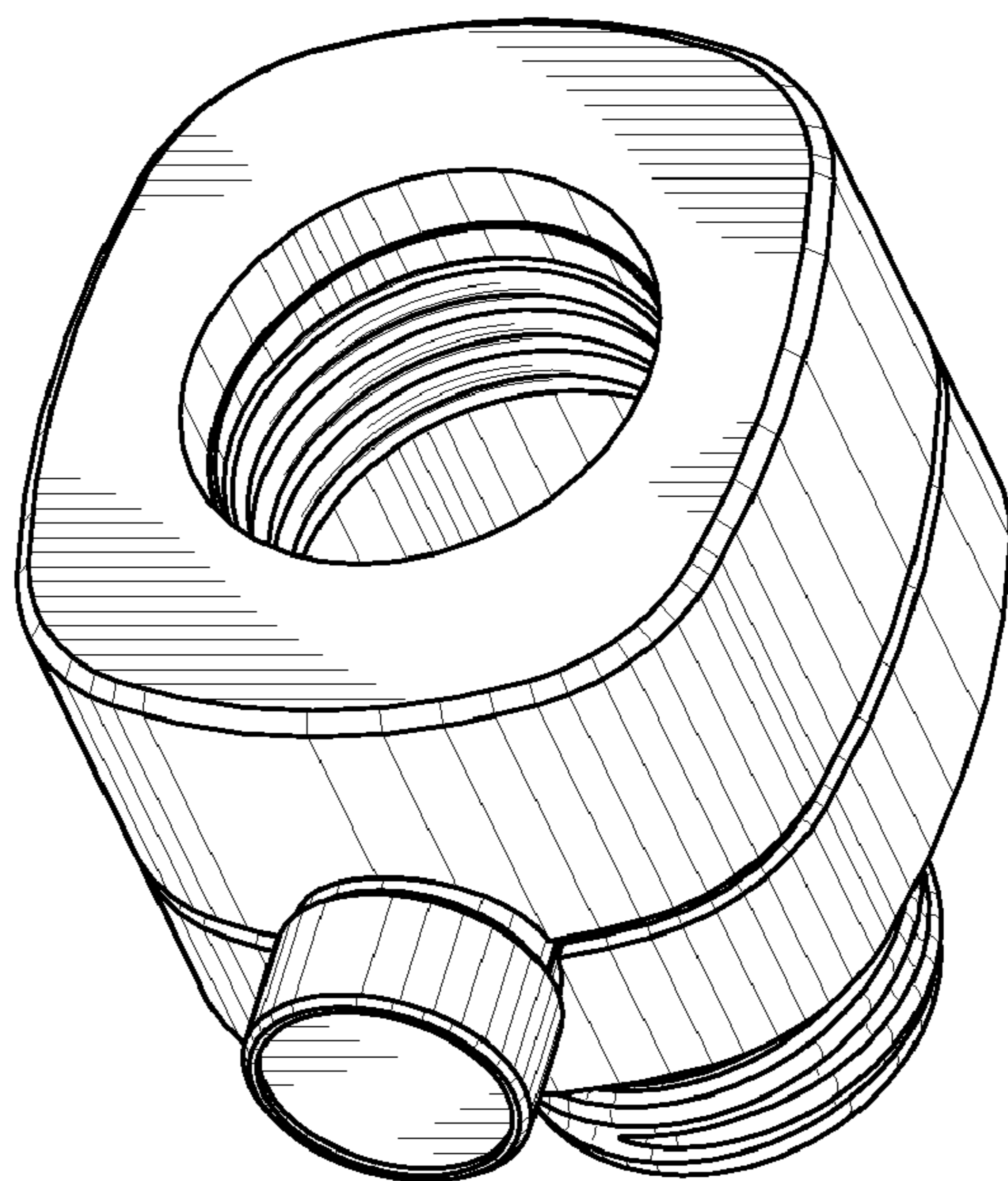


Fig. 1

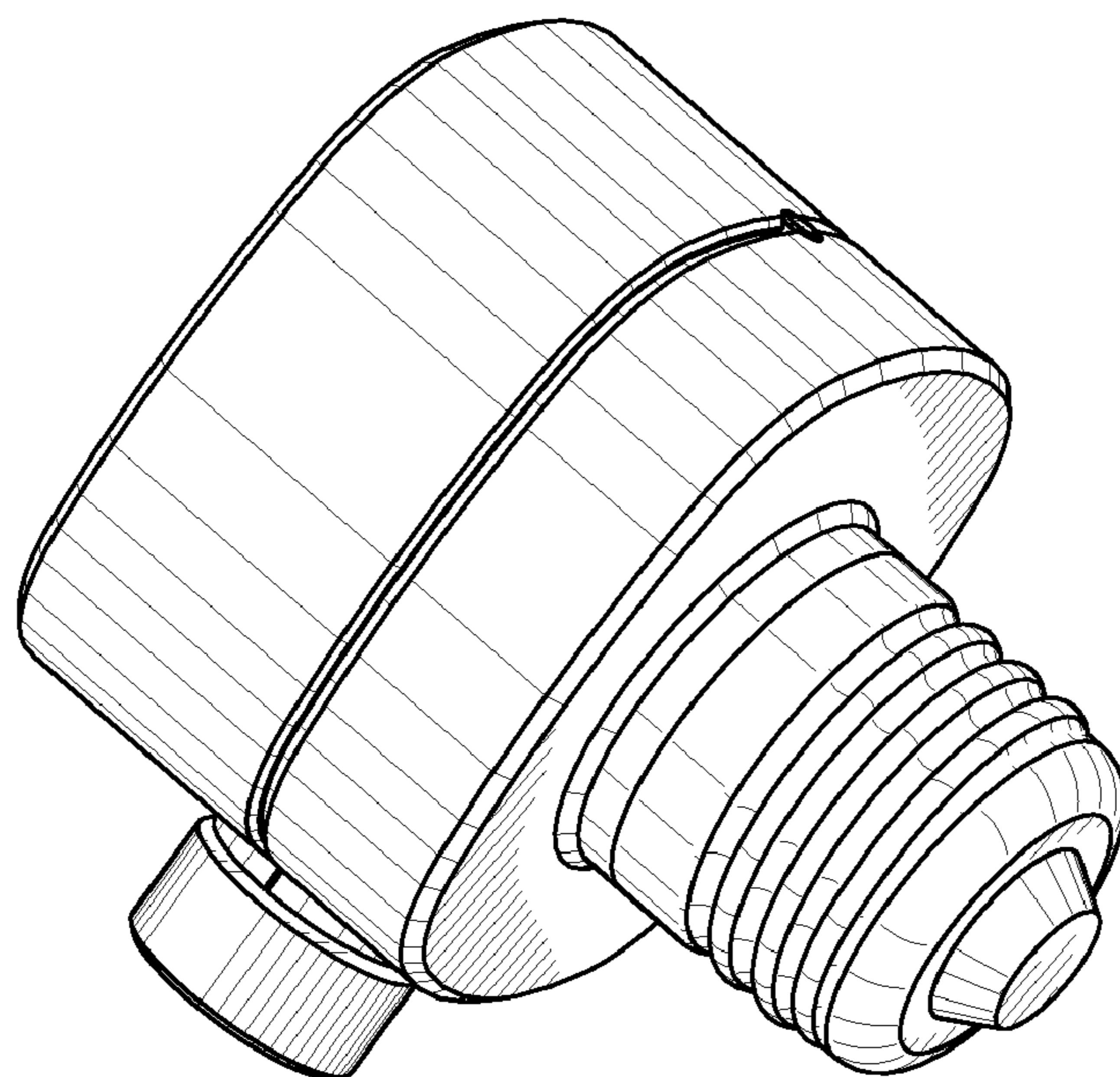


Fig. 2

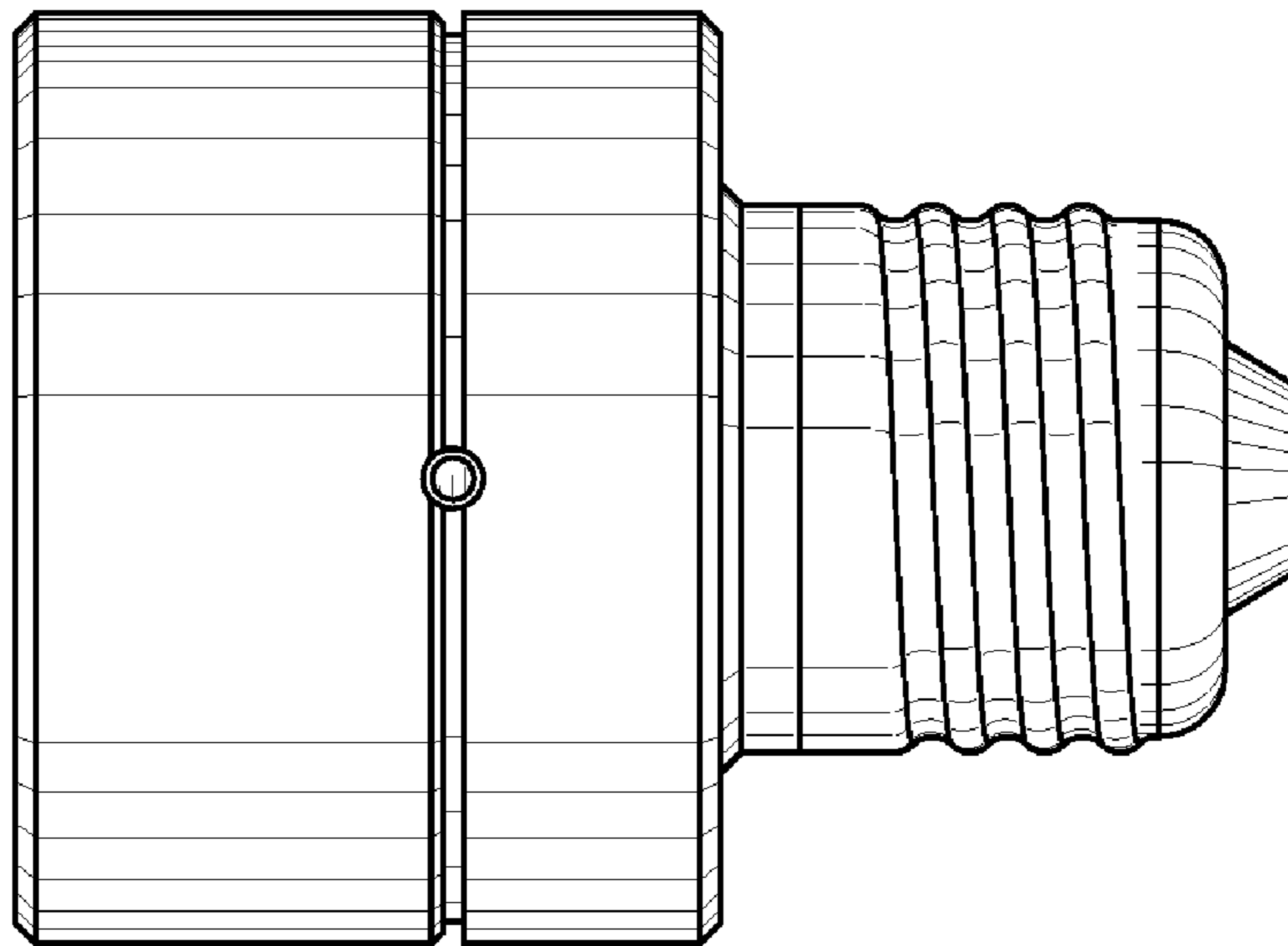


Fig. 4

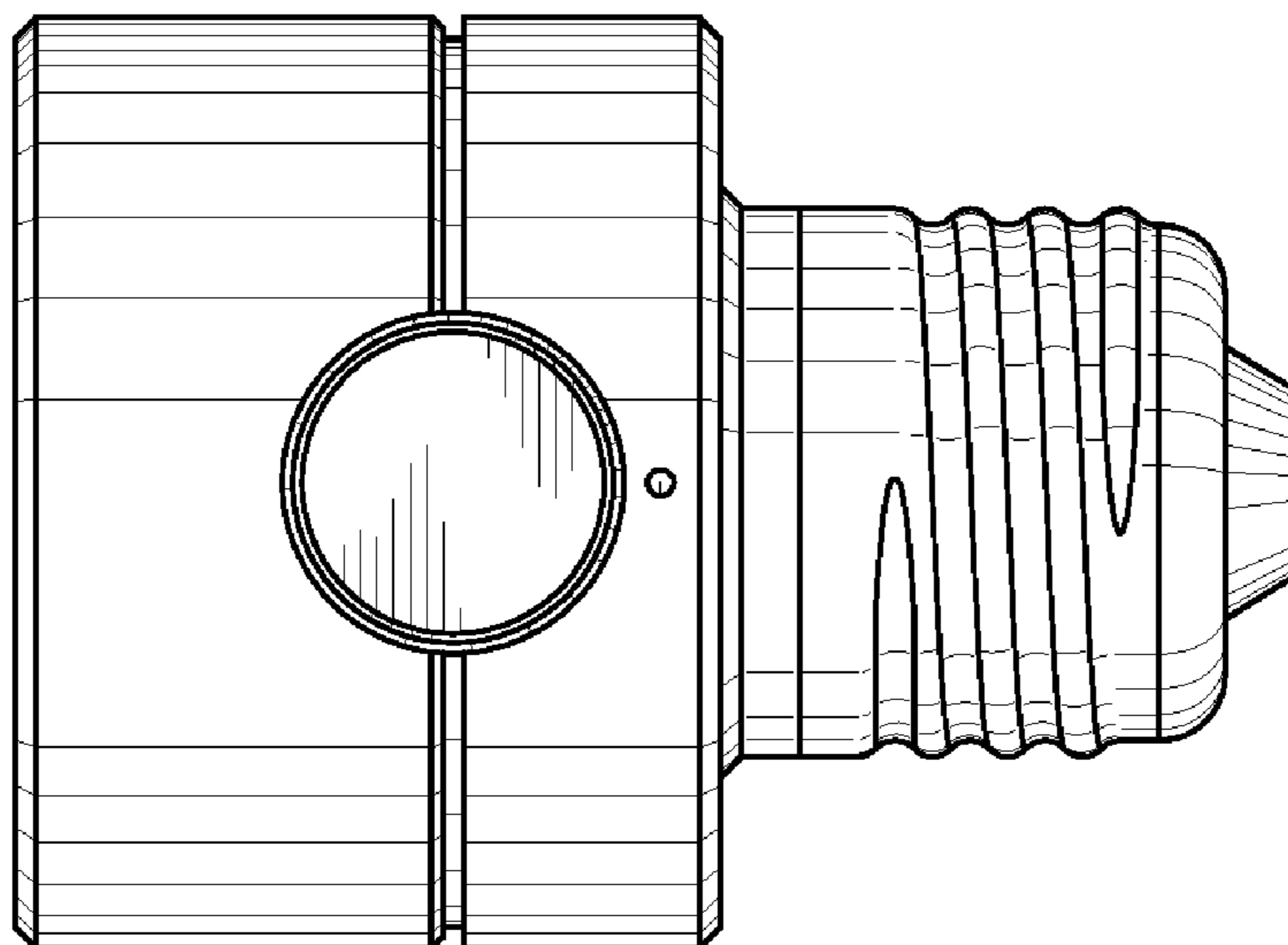


Fig. 3

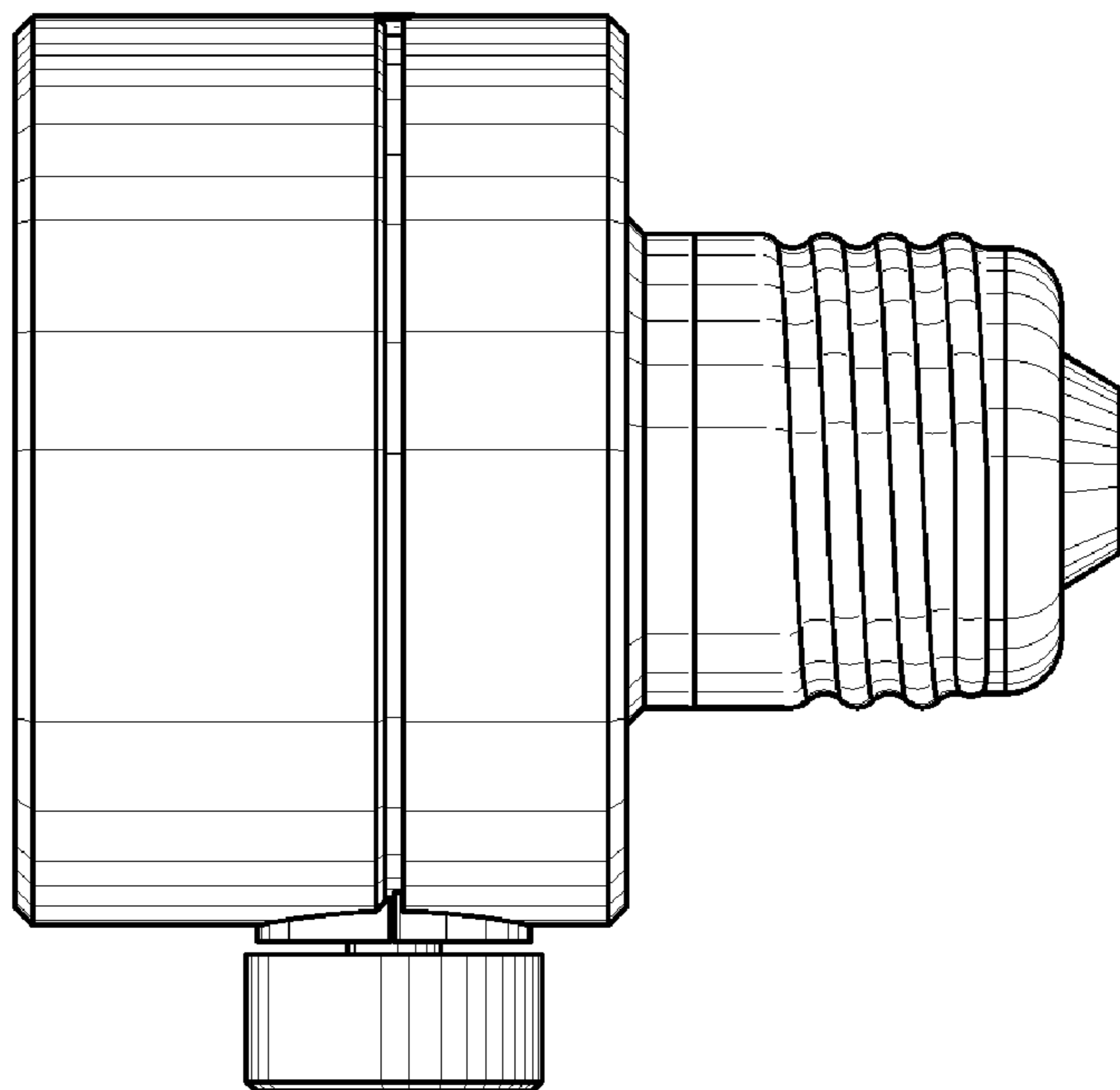


Fig. 6

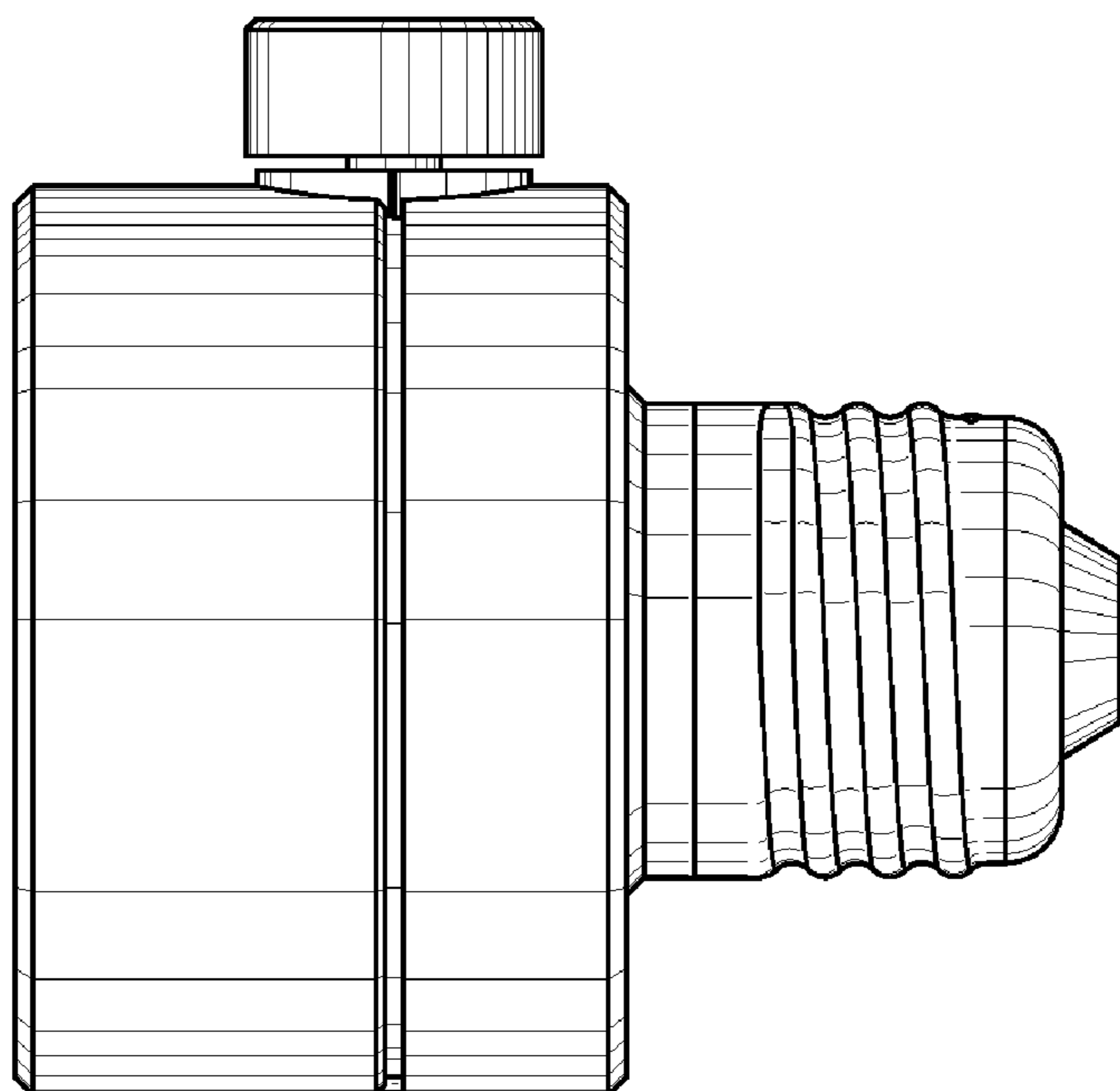


Fig. 5

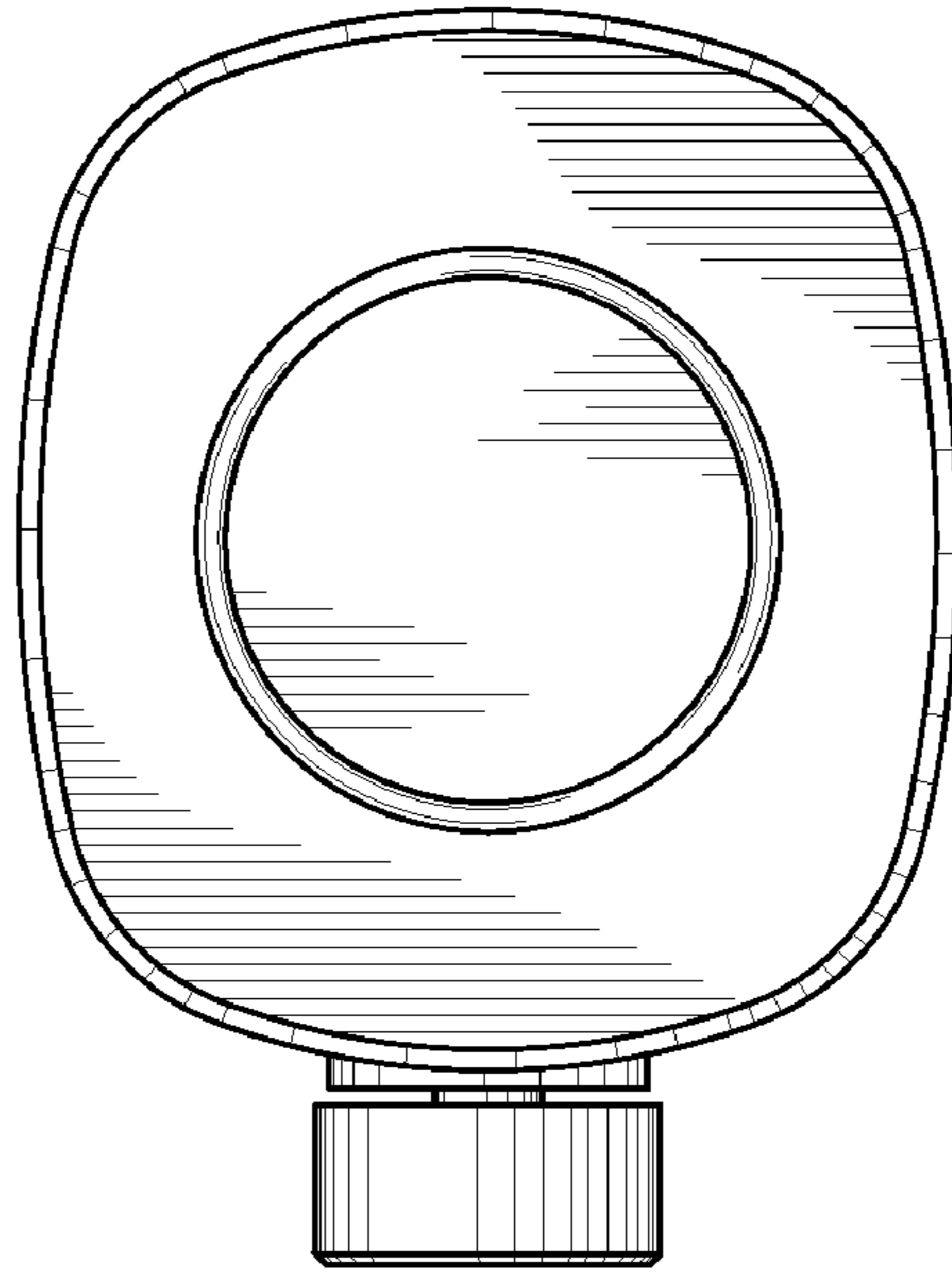


Fig. 7

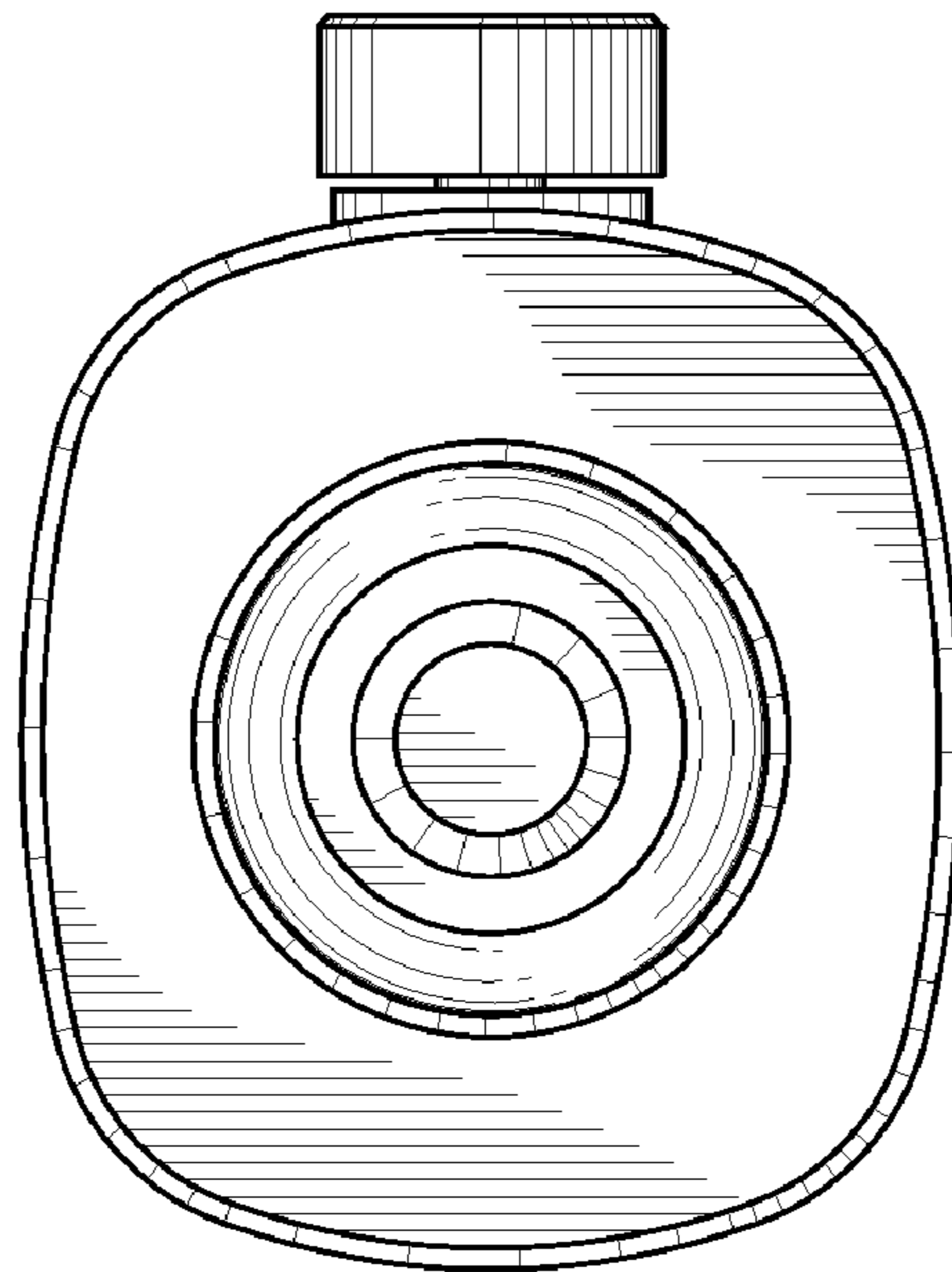


Fig. 8

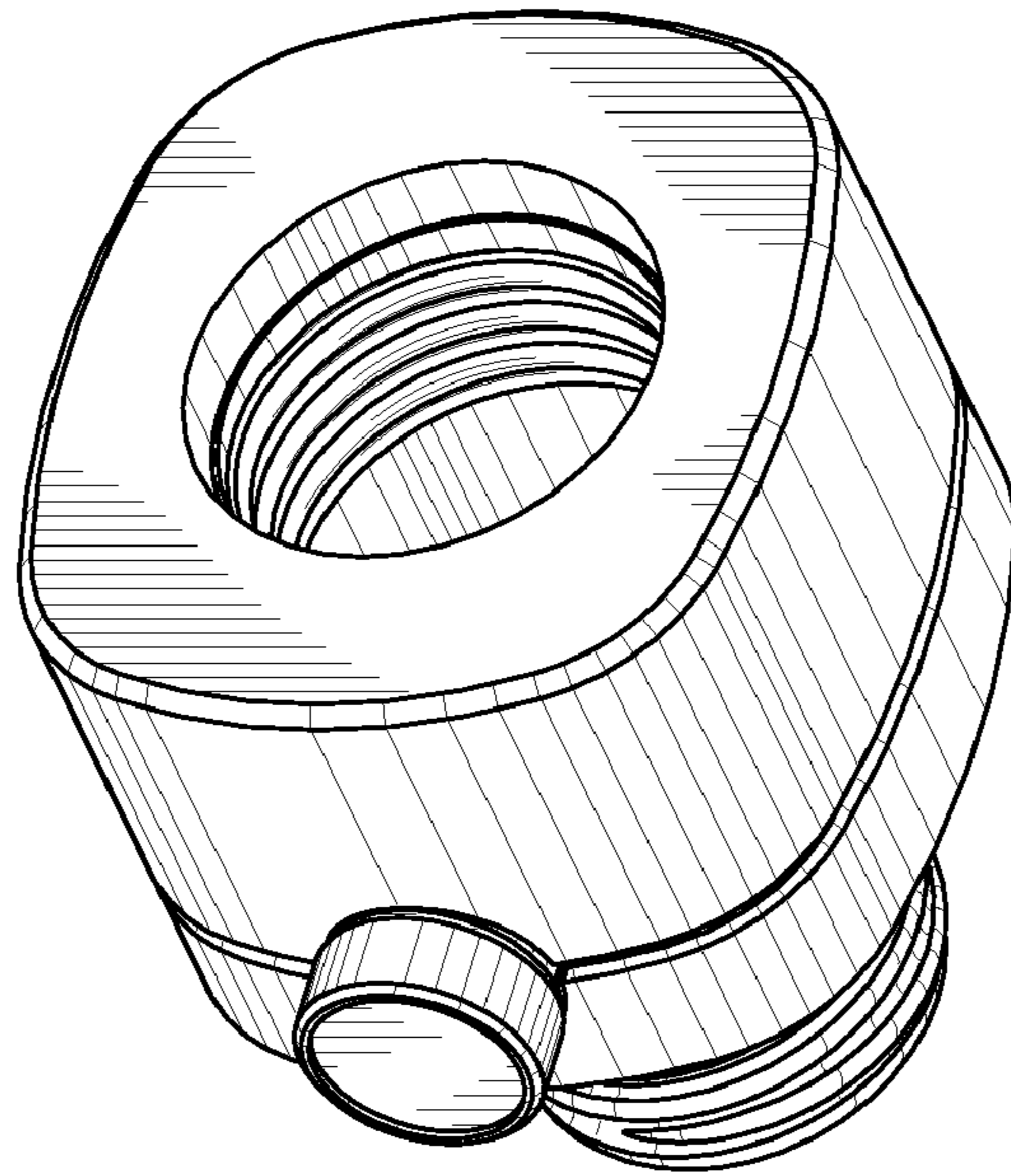


Fig. 9

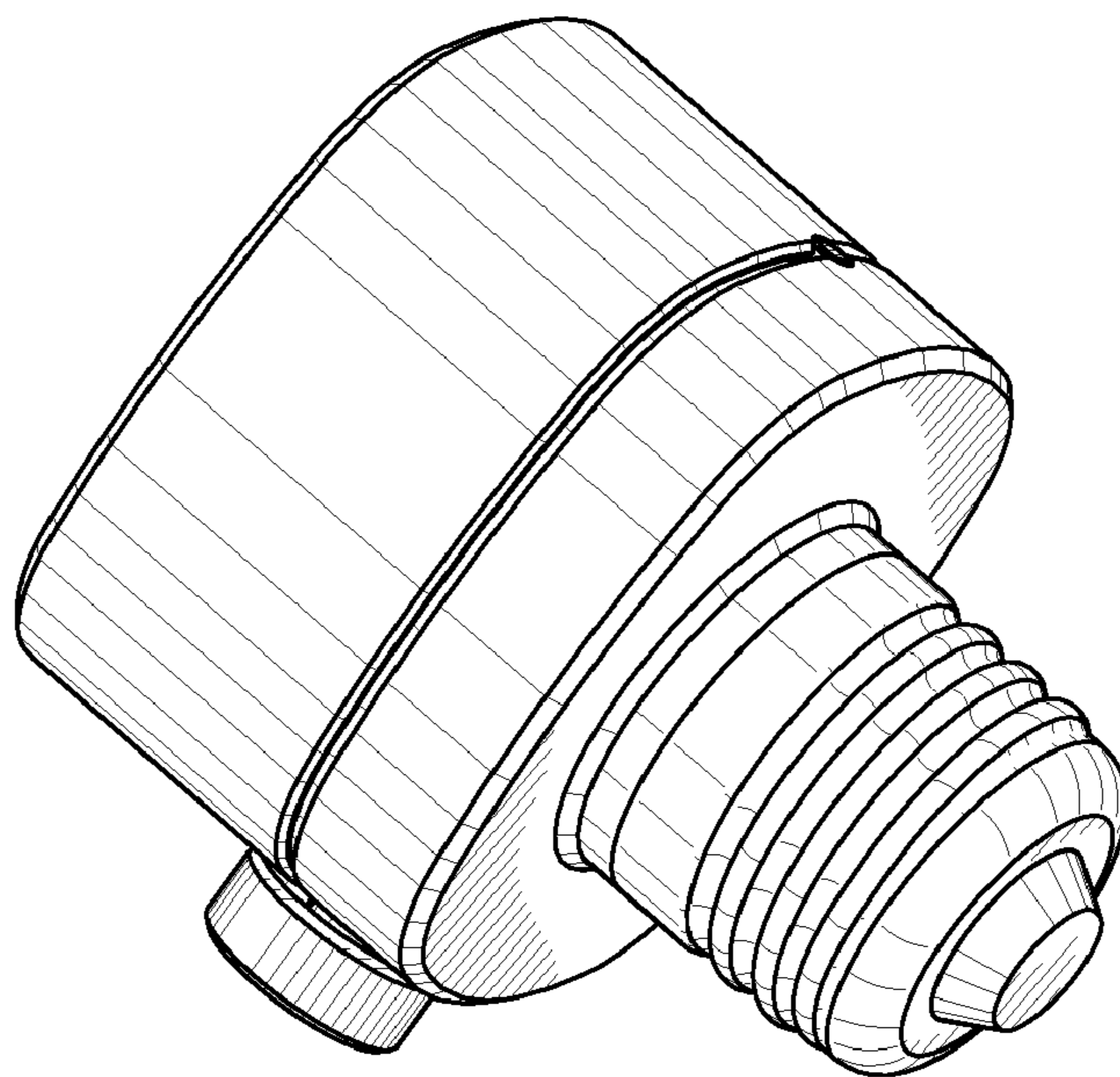


Fig. 10

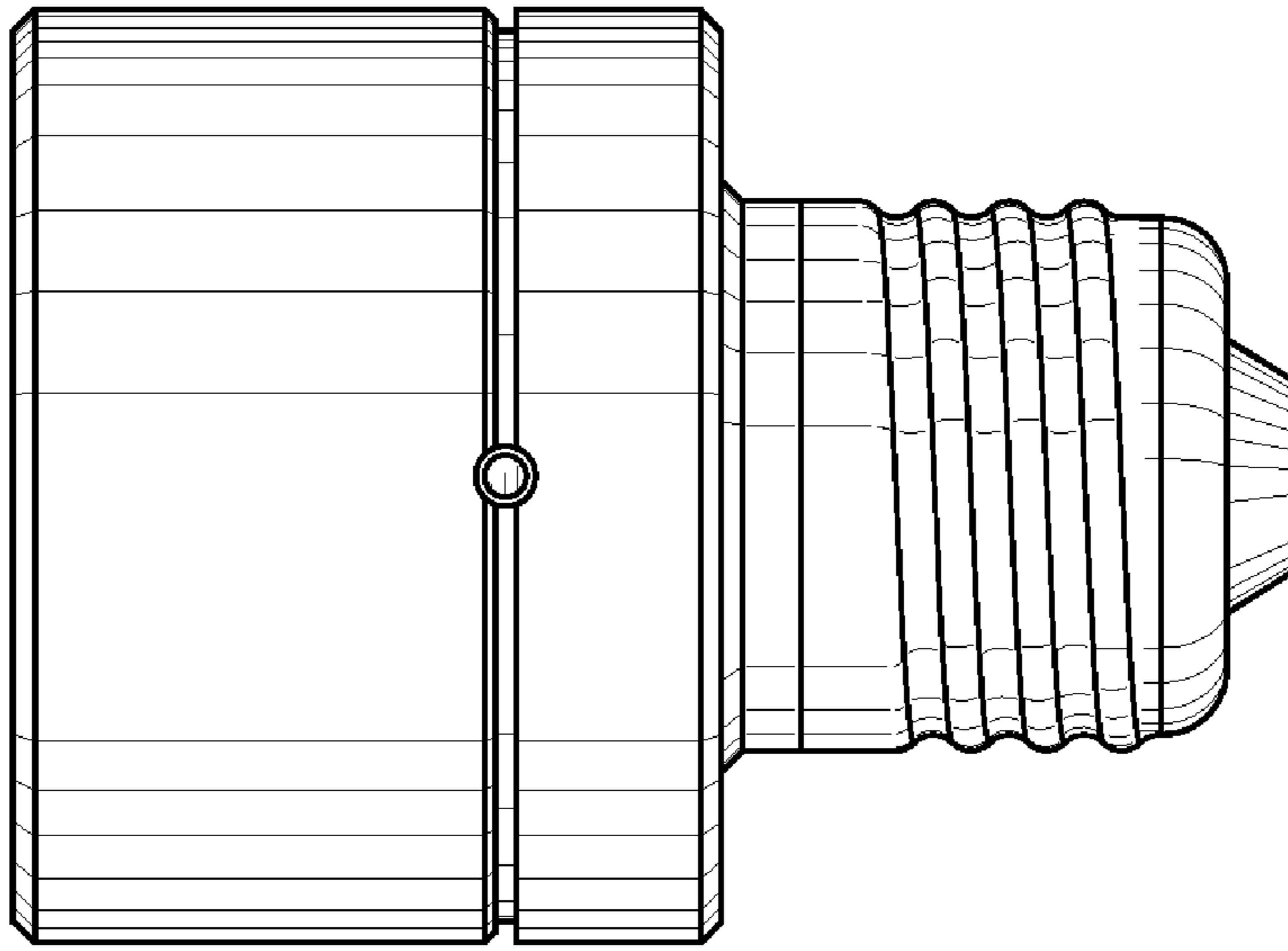


Fig. 12

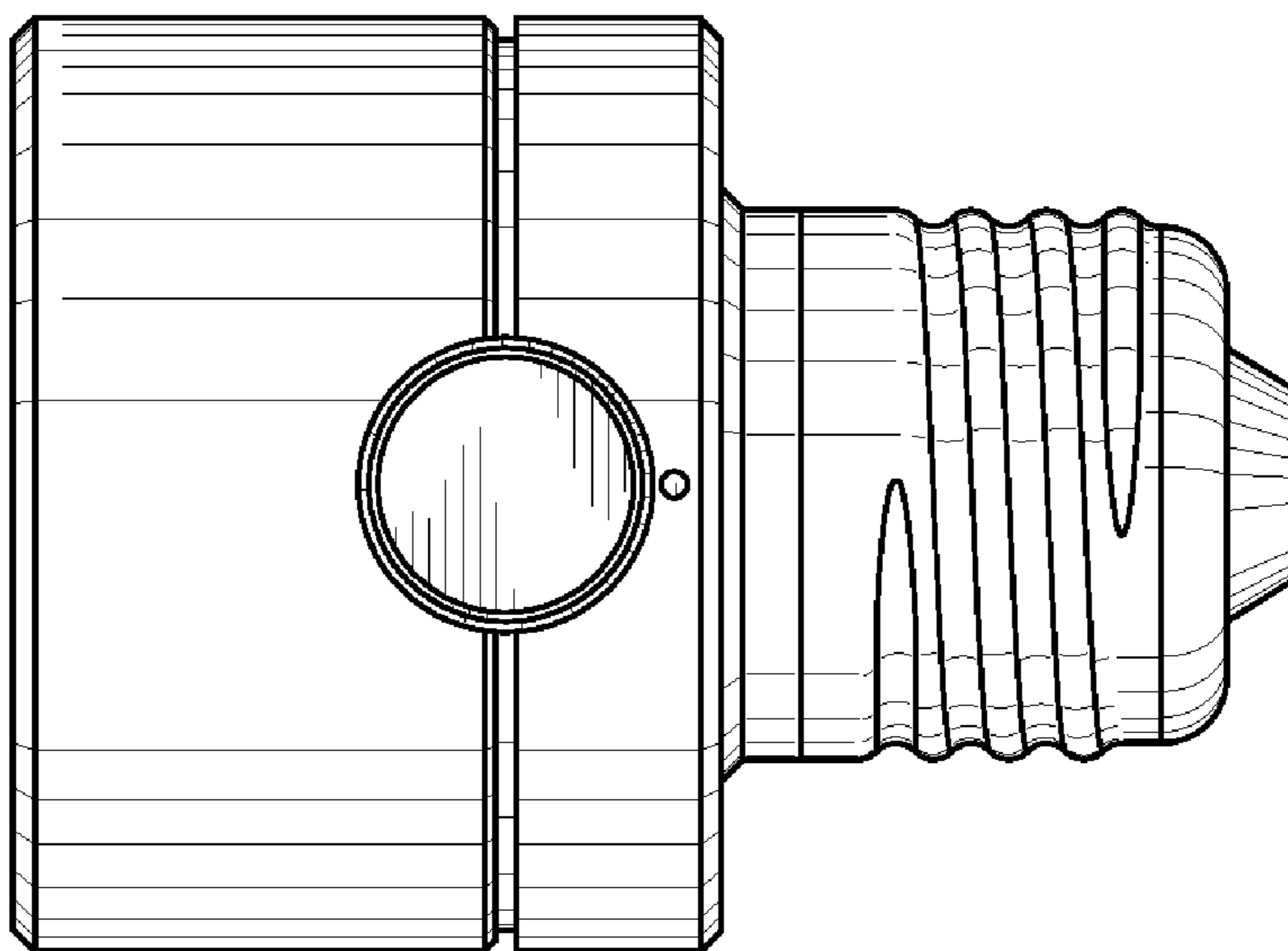


Fig. 11



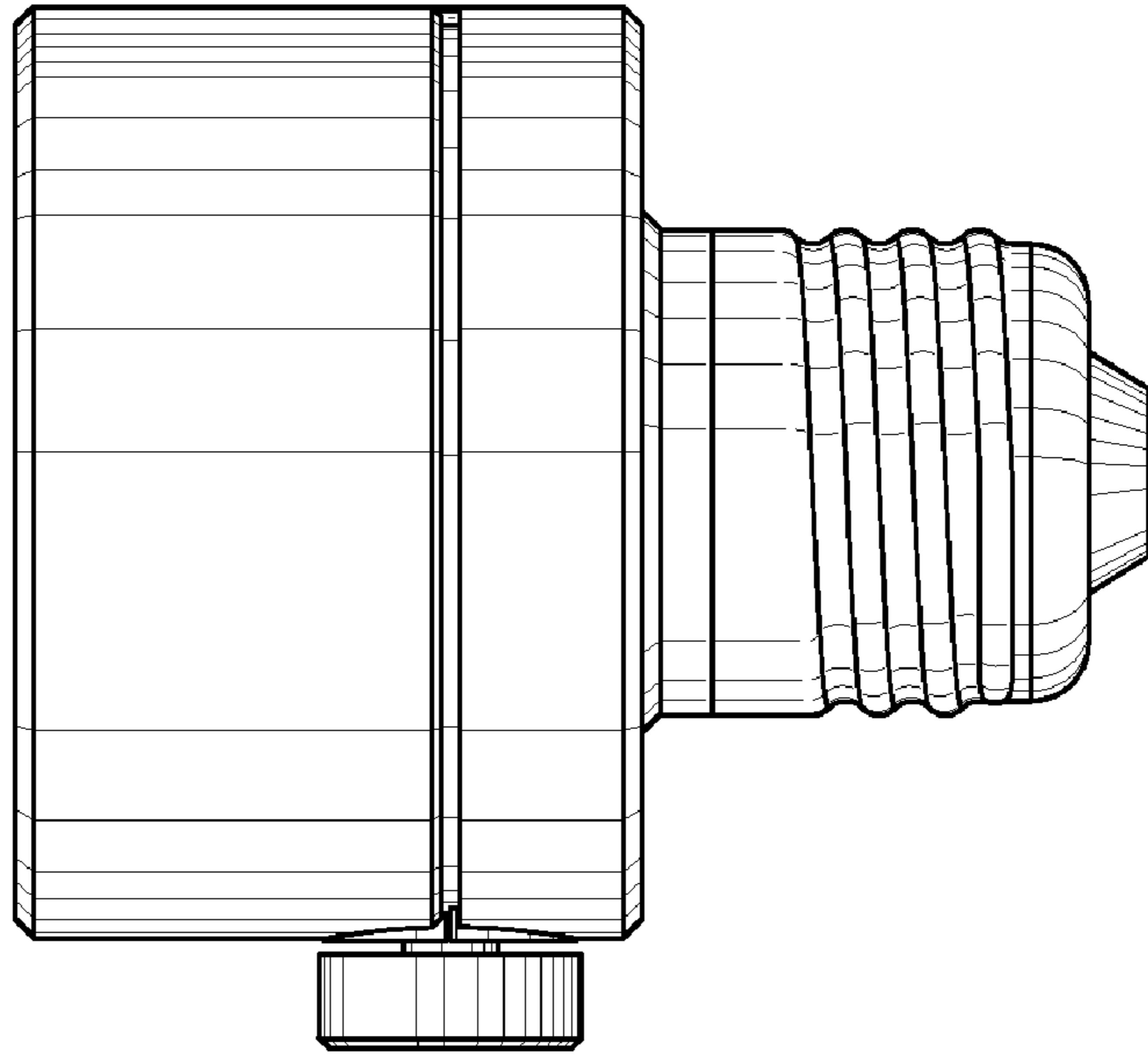


Fig. 14

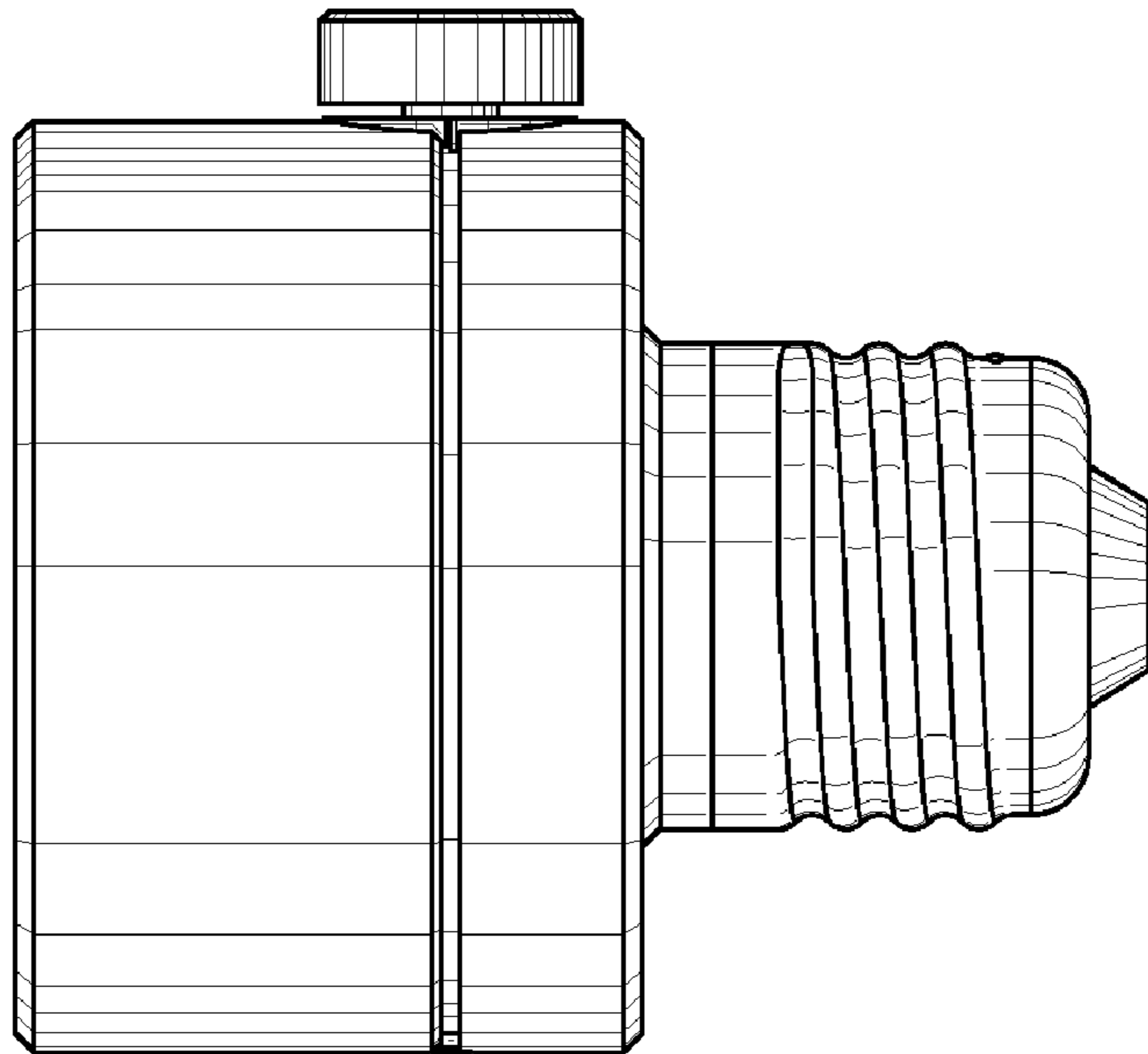


Fig. 13

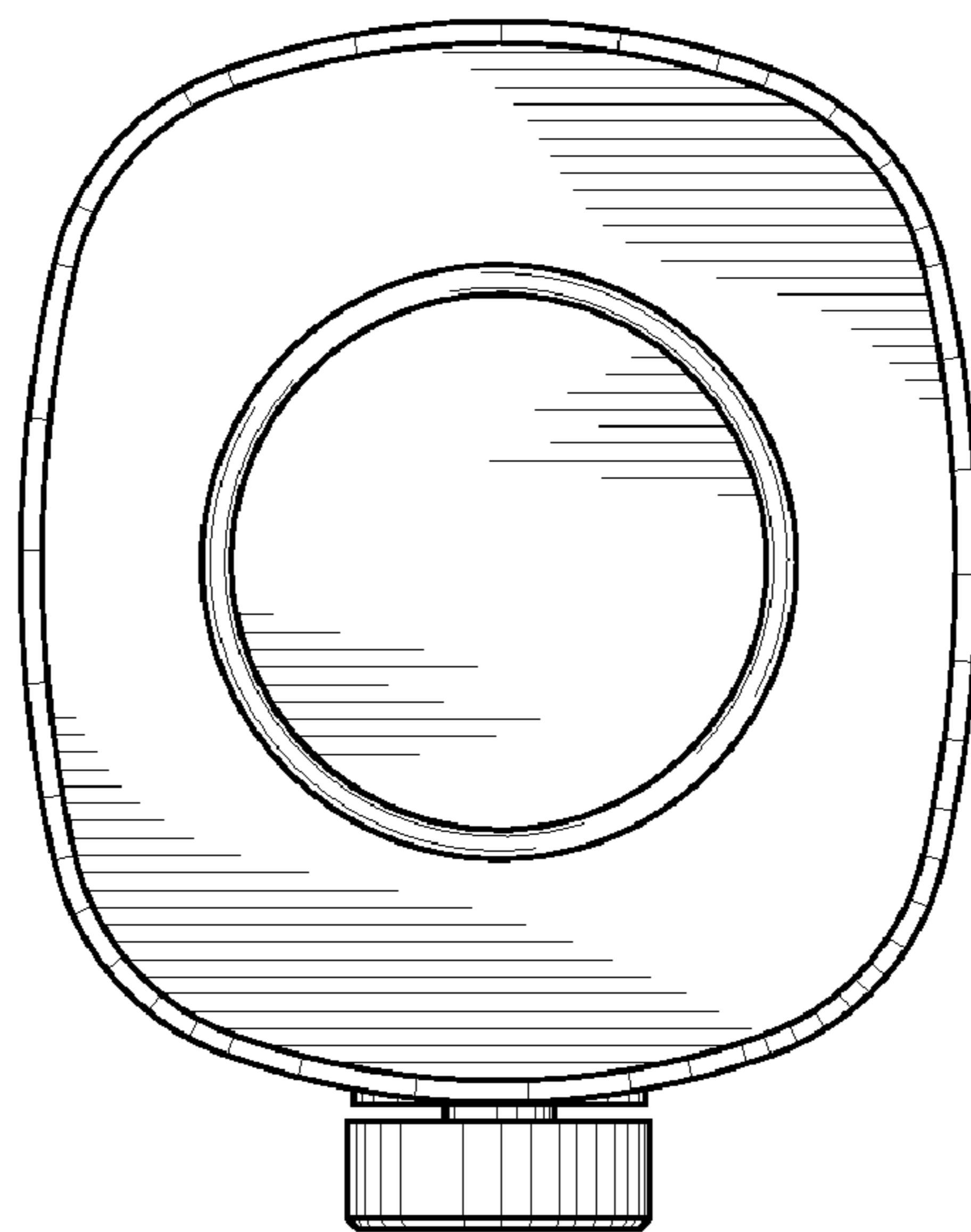


Fig. 15

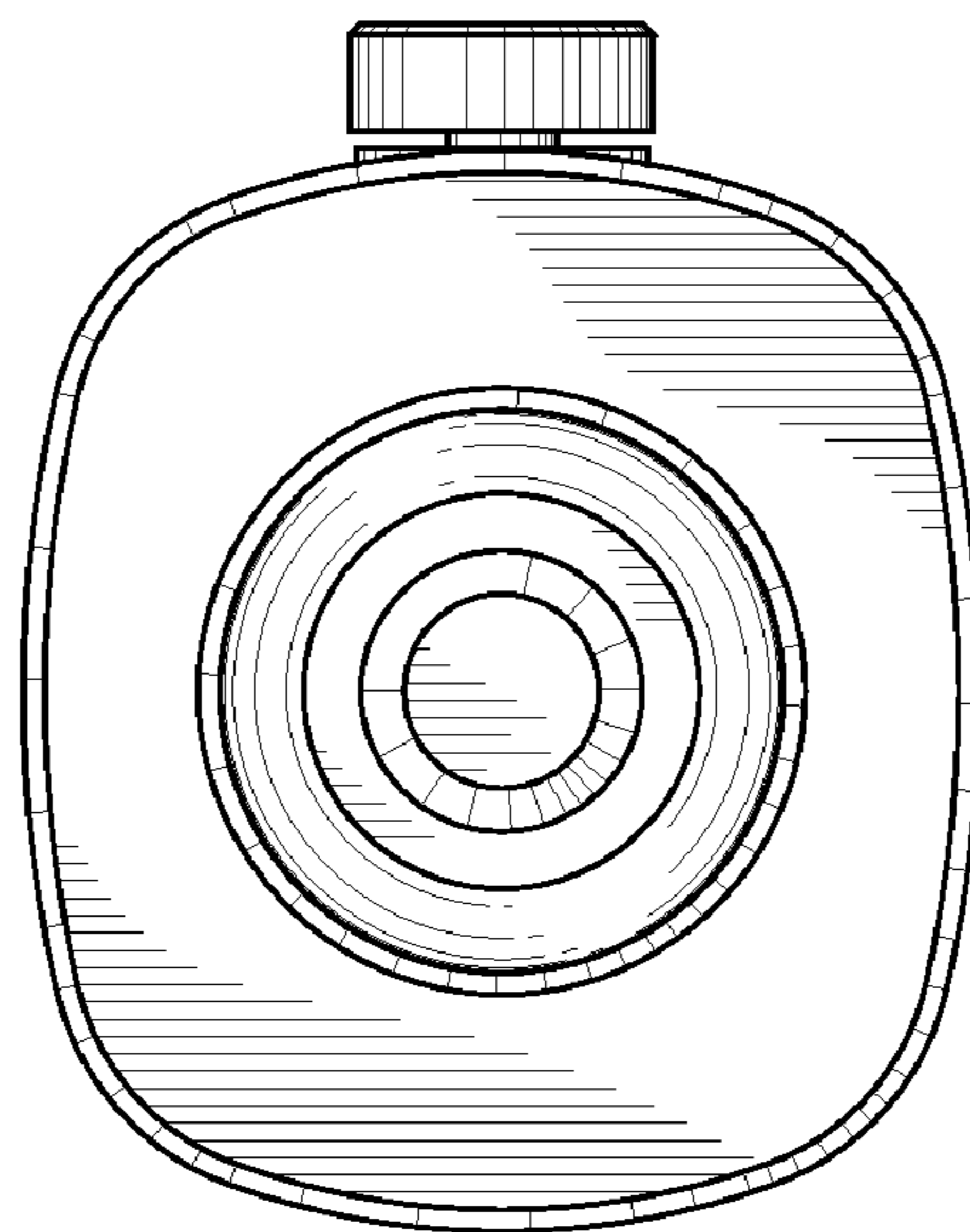


Fig. 16

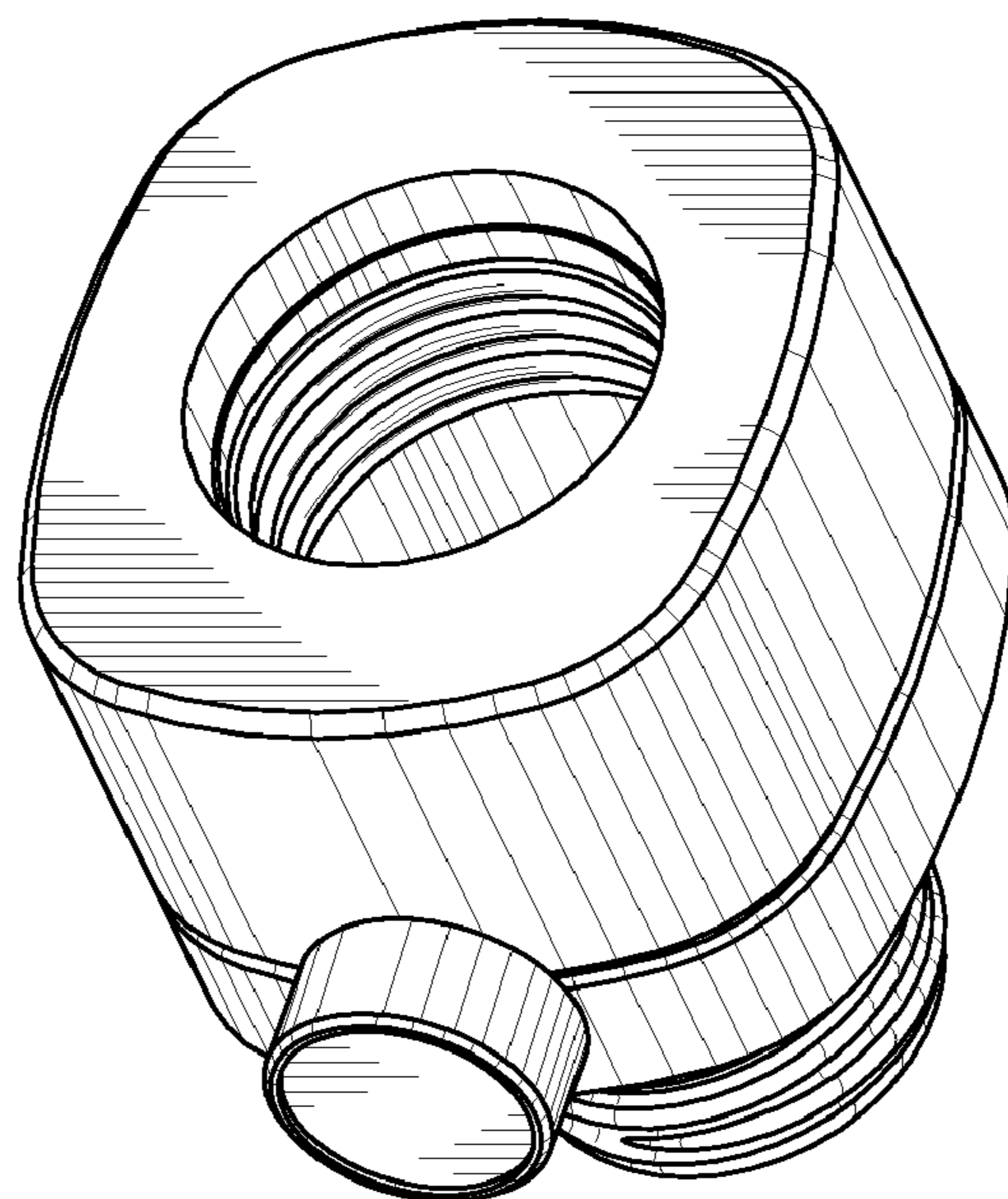


Fig. 17

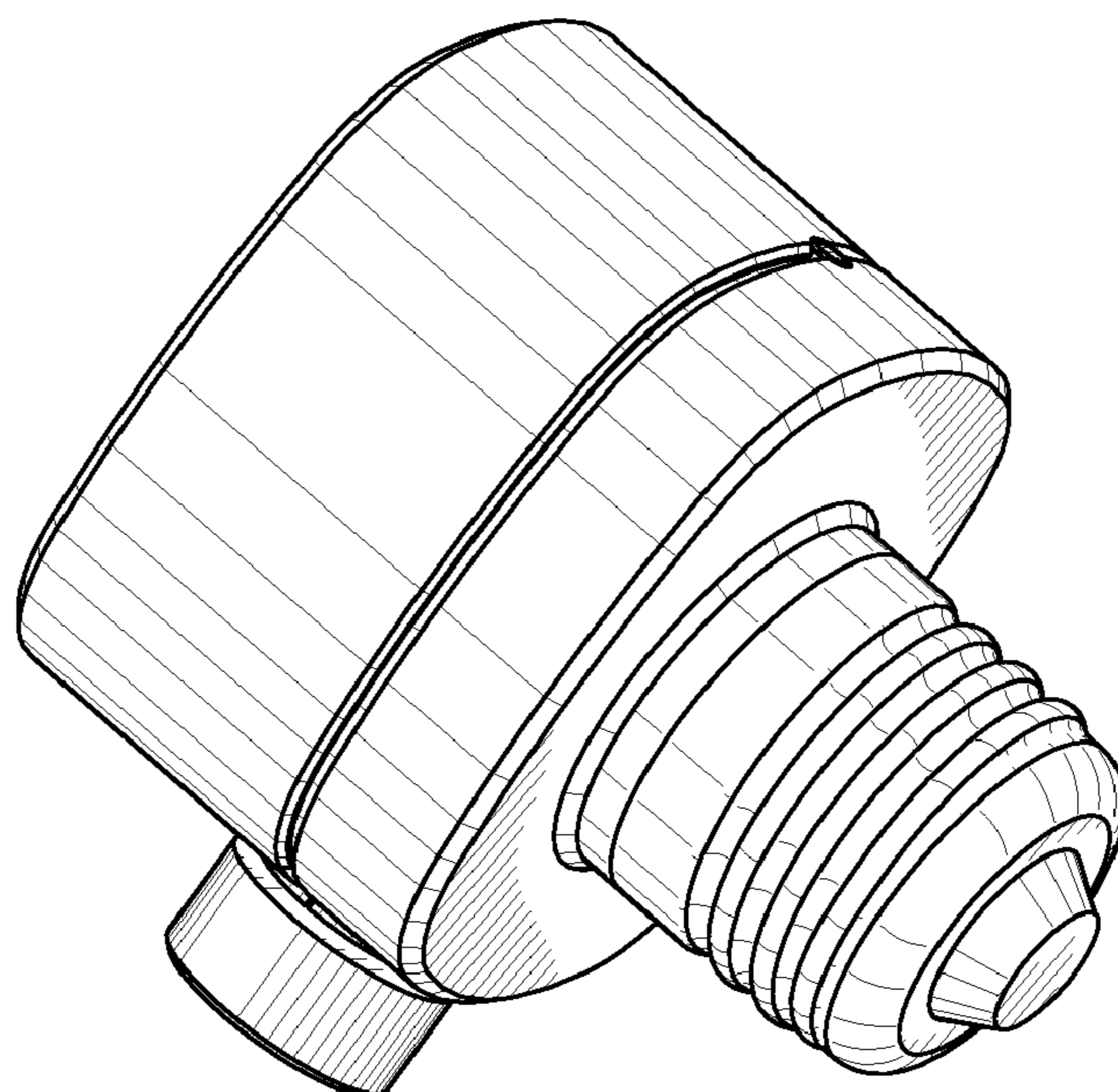


Fig. 18

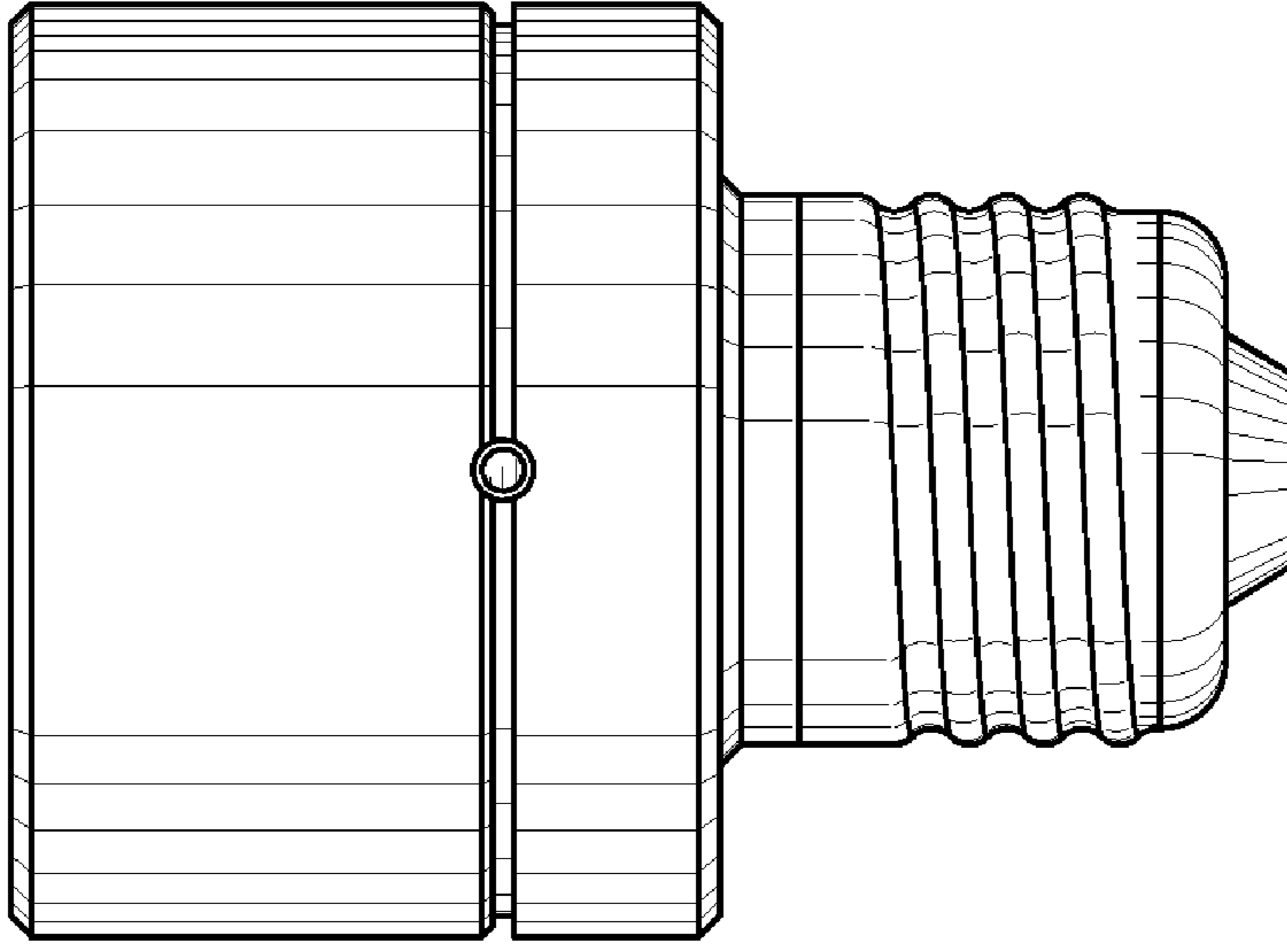


Fig. 20

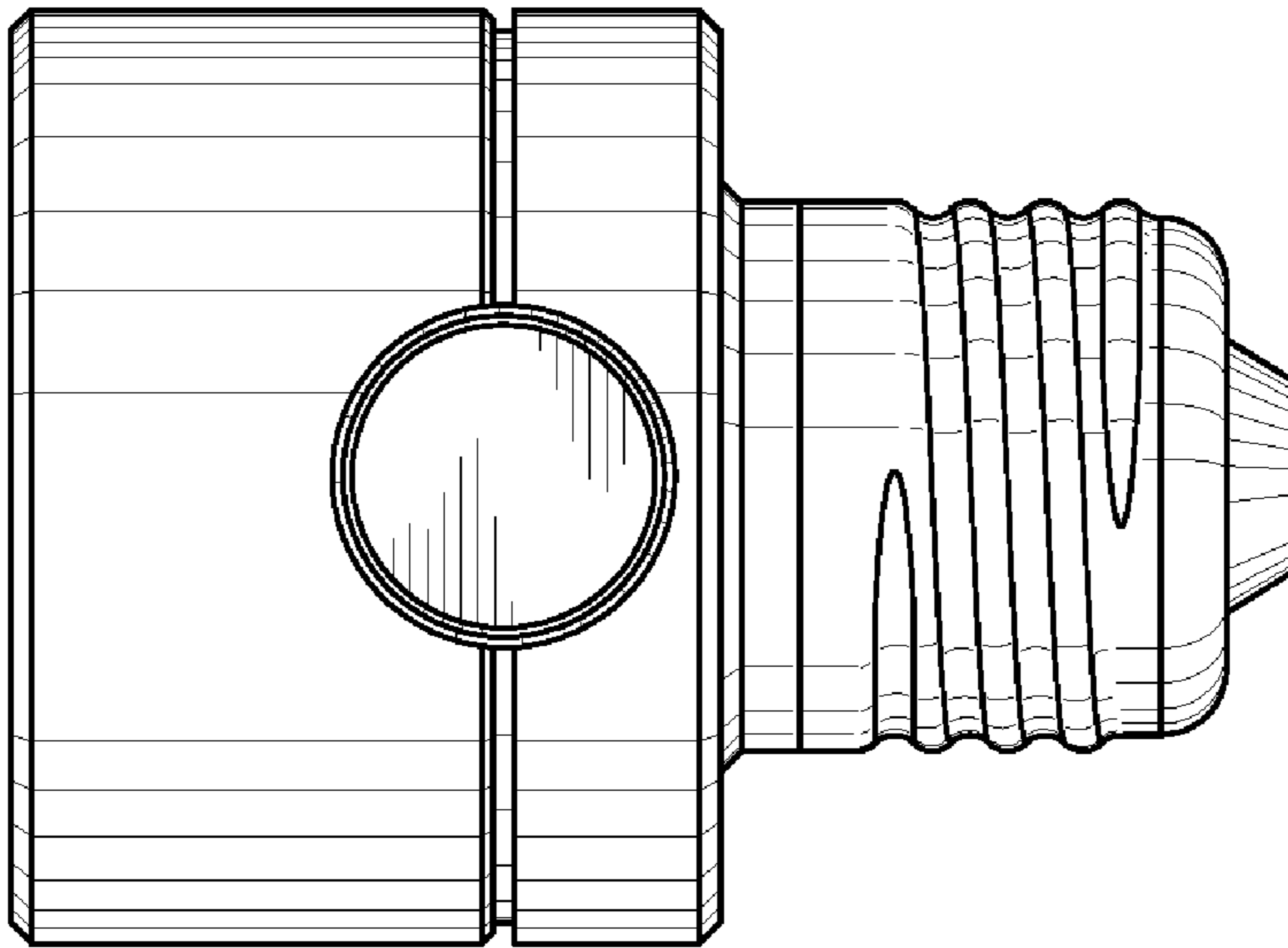


Fig. 19

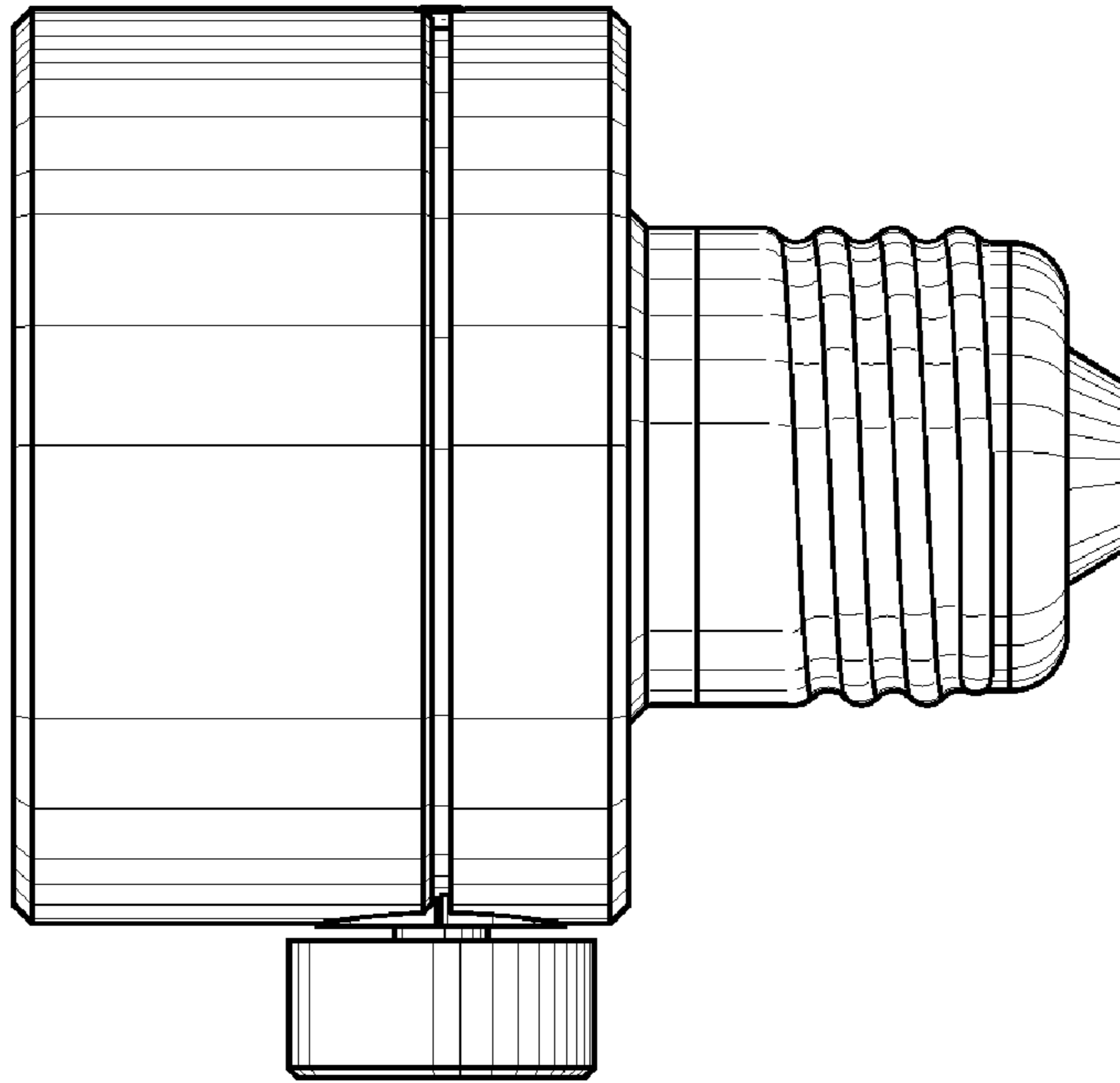


Fig. 22

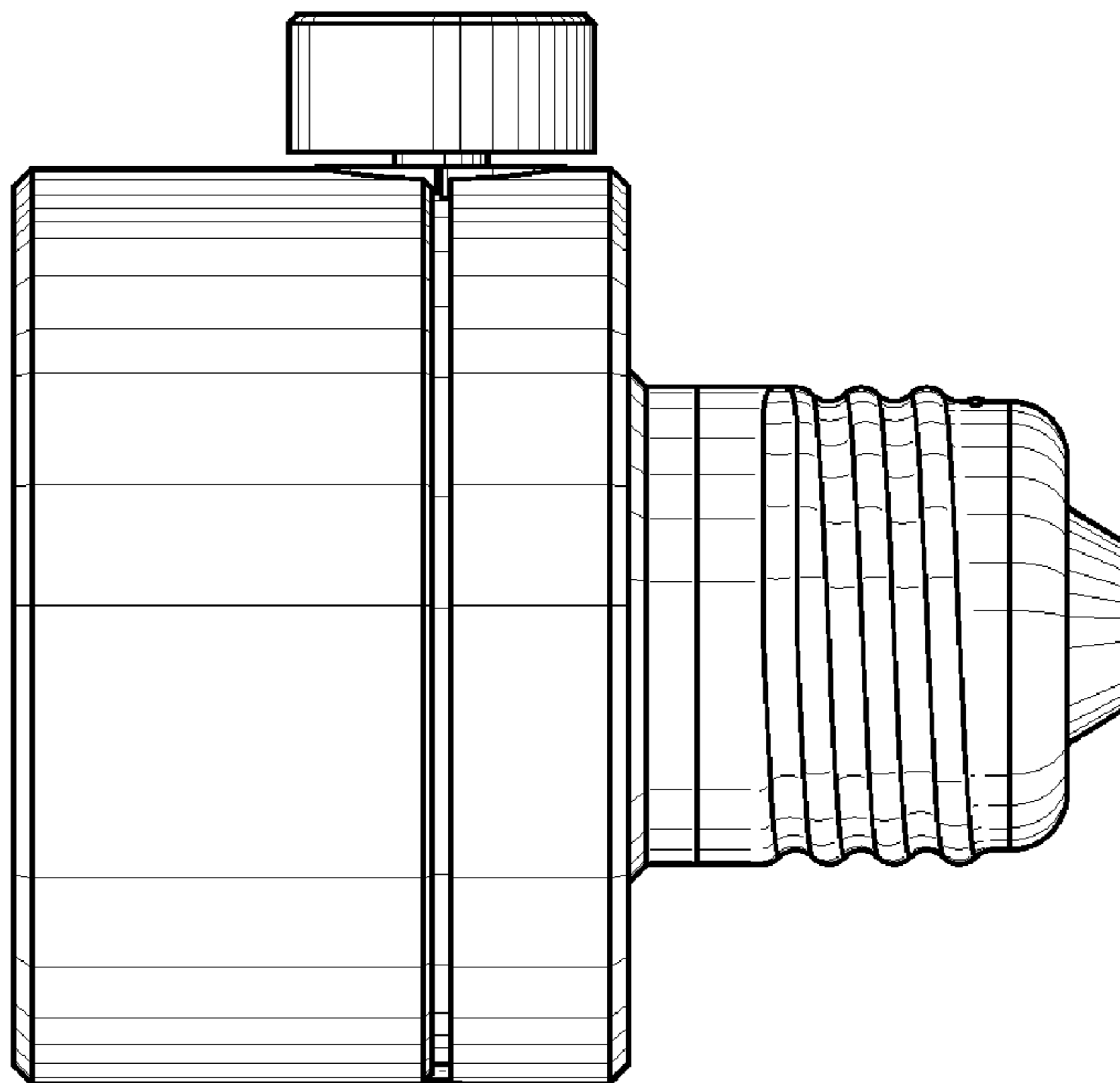


Fig. 21

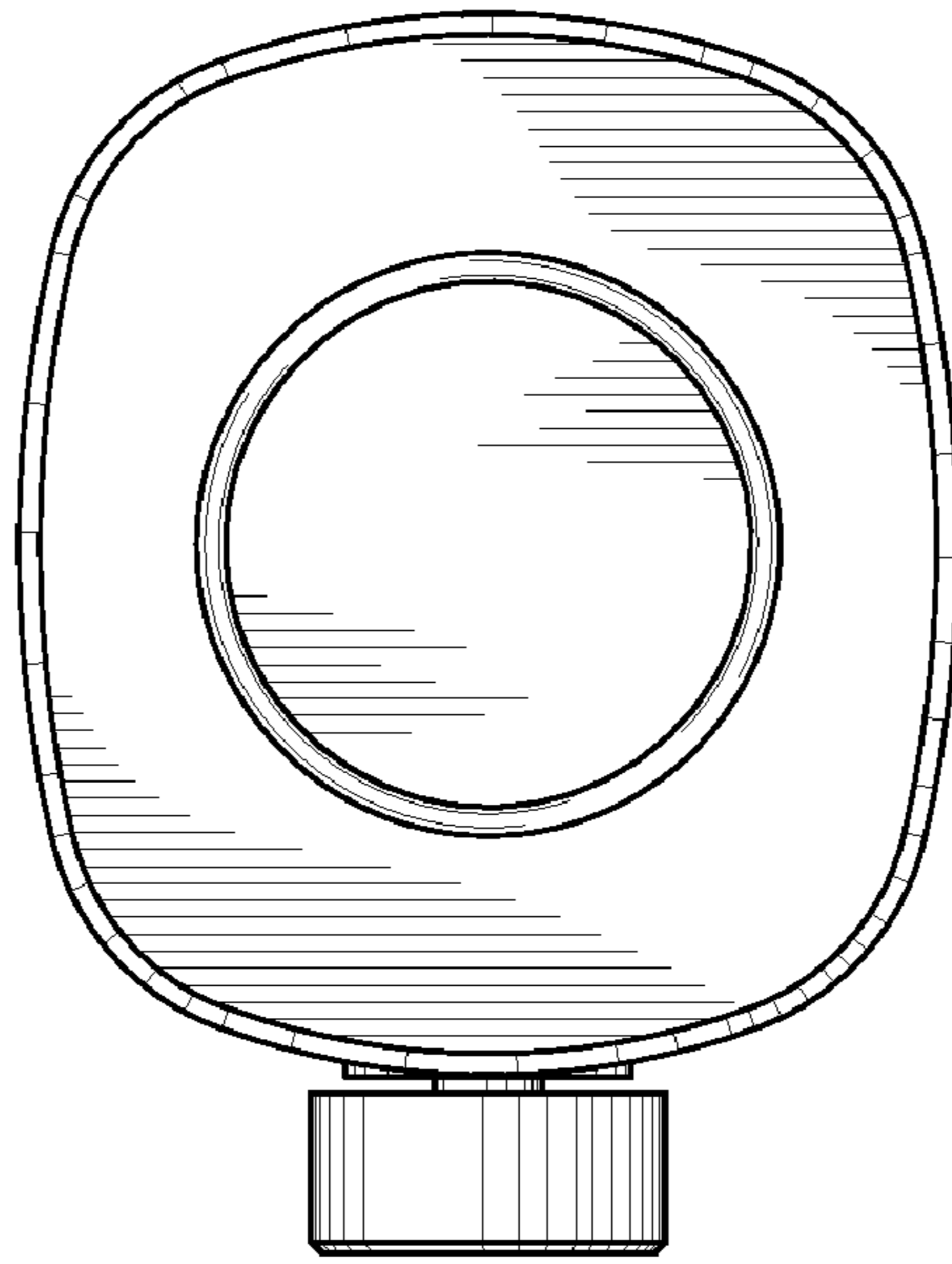


Fig. 23

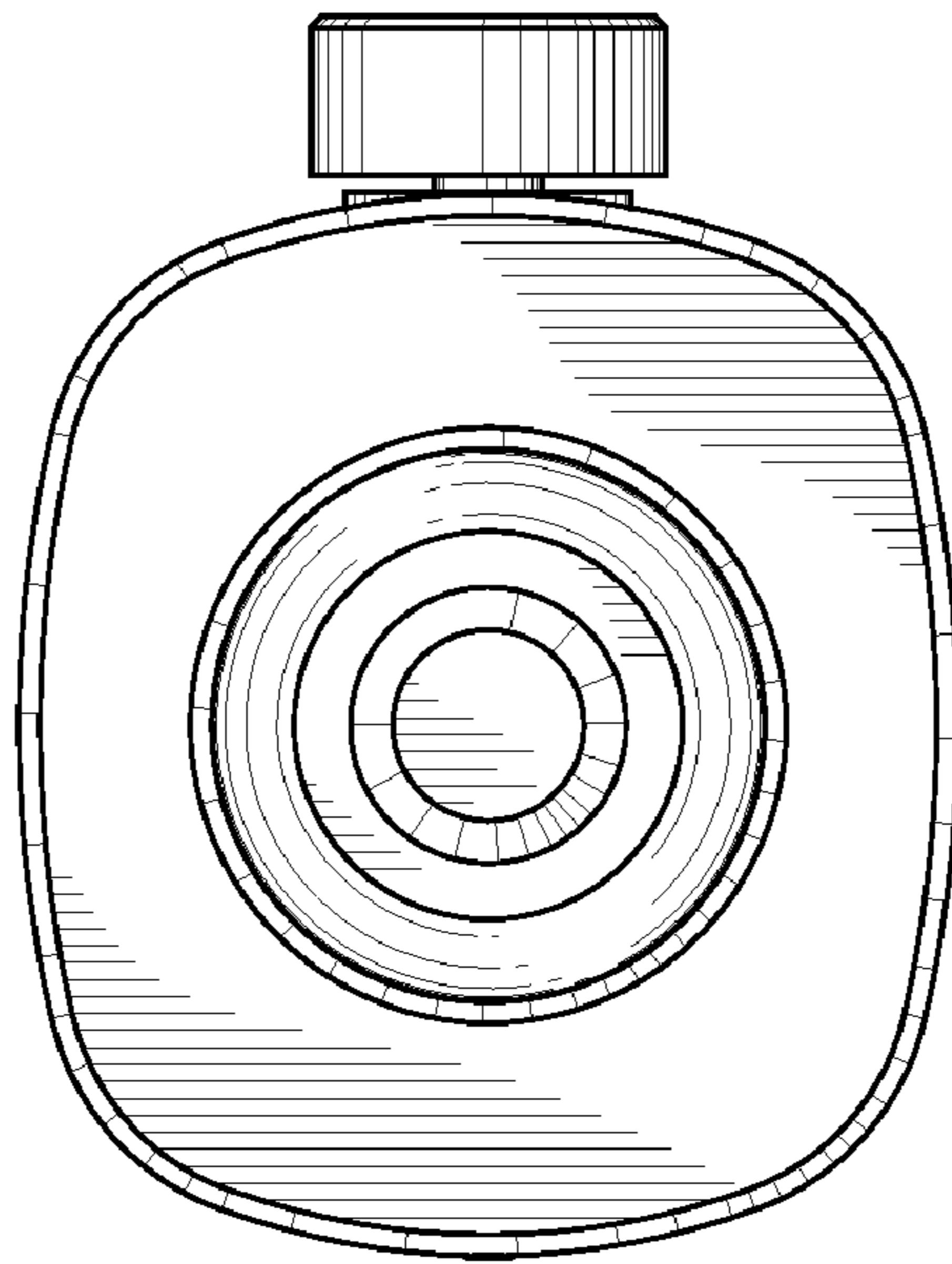


Fig. 24