



US00D593947S

(12) **United States Design Patent**  
**Wang**

(10) **Patent No.:** **US D593,947 S**  
(45) **Date of Patent:** **\*\* Jun. 9, 2009**

(54) **TRANSMISSION SIGNAL CONNECTOR**

(76) Inventor: **Jin-I Wang**, P.O. Box 90, Tainan City  
70499 (TW)

(\*\*) Term: **14 Years**

(21) Appl. No.: **29/323,417**

(22) Filed: **Aug. 26, 2008**

(51) **LOC (9) Cl.** ..... **13-03**

(52) **U.S. Cl.** ..... **D13/133**

(58) **Field of Classification Search** ..... D13/123,  
D13/133, 146, 149, 151, 154, 184, 199; 439/86,  
439/180, 278, 374, 378, 380, 488-491, 527,  
439/578, 585, 752, 825-828, 834, 851, 856  
See application file for complete search history.

(56) **References Cited**

**U.S. PATENT DOCUMENTS**

4,645,281 A \* 2/1987 Burger ..... 439/133  
D312,814 S \* 12/1990 Takizawa ..... D13/133  
5,317,664 A \* 5/1994 Grabiec et al. .... 385/87  
5,321,207 A \* 6/1994 Huang ..... 174/75 C  
D475,968 S \* 6/2003 Pincek et al. .... D13/133

D475,969 S \* 6/2003 Pincek et al. .... D13/133  
D476,957 S \* 7/2003 Chudoba et al. .... D13/151  
D569,800 S \* 5/2008 Holliday ..... D13/133  
2006/0205272 A1 \* 9/2006 Rodrigues ..... 439/585

\* cited by examiner

*Primary Examiner*—Daniel D Bui  
*Assistant Examiner*—Thomas J Johannes

(57) **CLAIM**

The ornamental design for a transmission signal connector, as shown and described.

**DESCRIPTION**

FIG. 1 is a perspective view of a transmission signal connector showing my design;

FIG. 2 is a front elevational view thereof;

FIG. 3 is a rear elevational view thereof;

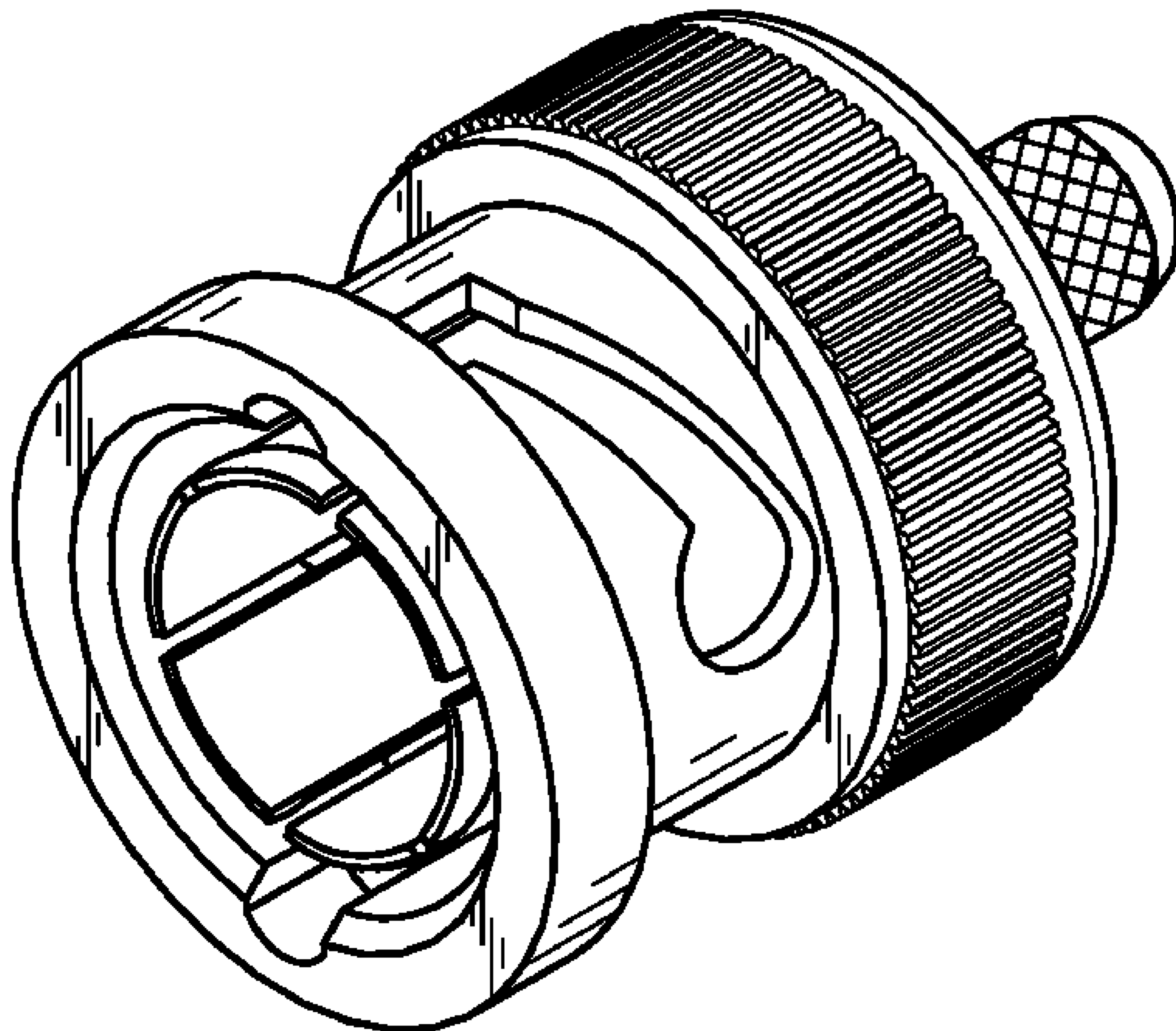
FIG. 4 is a left side elevational view thereof;

FIG. 5 is a right side elevational view thereof;

FIG. 6 is a top plan view thereof; and,

FIG. 7 is a bottom plan view.

**1 Claim, 4 Drawing Sheets**



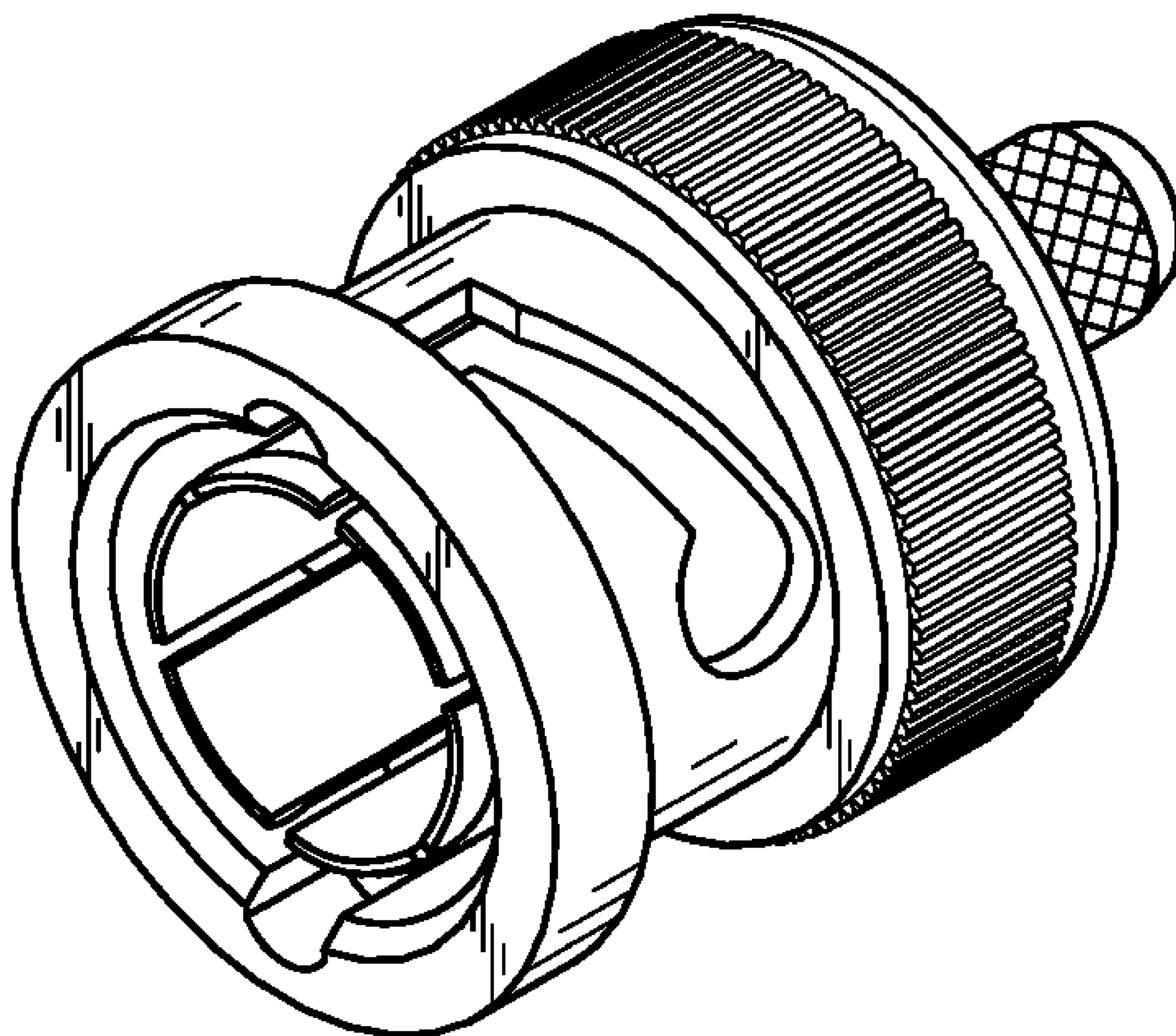
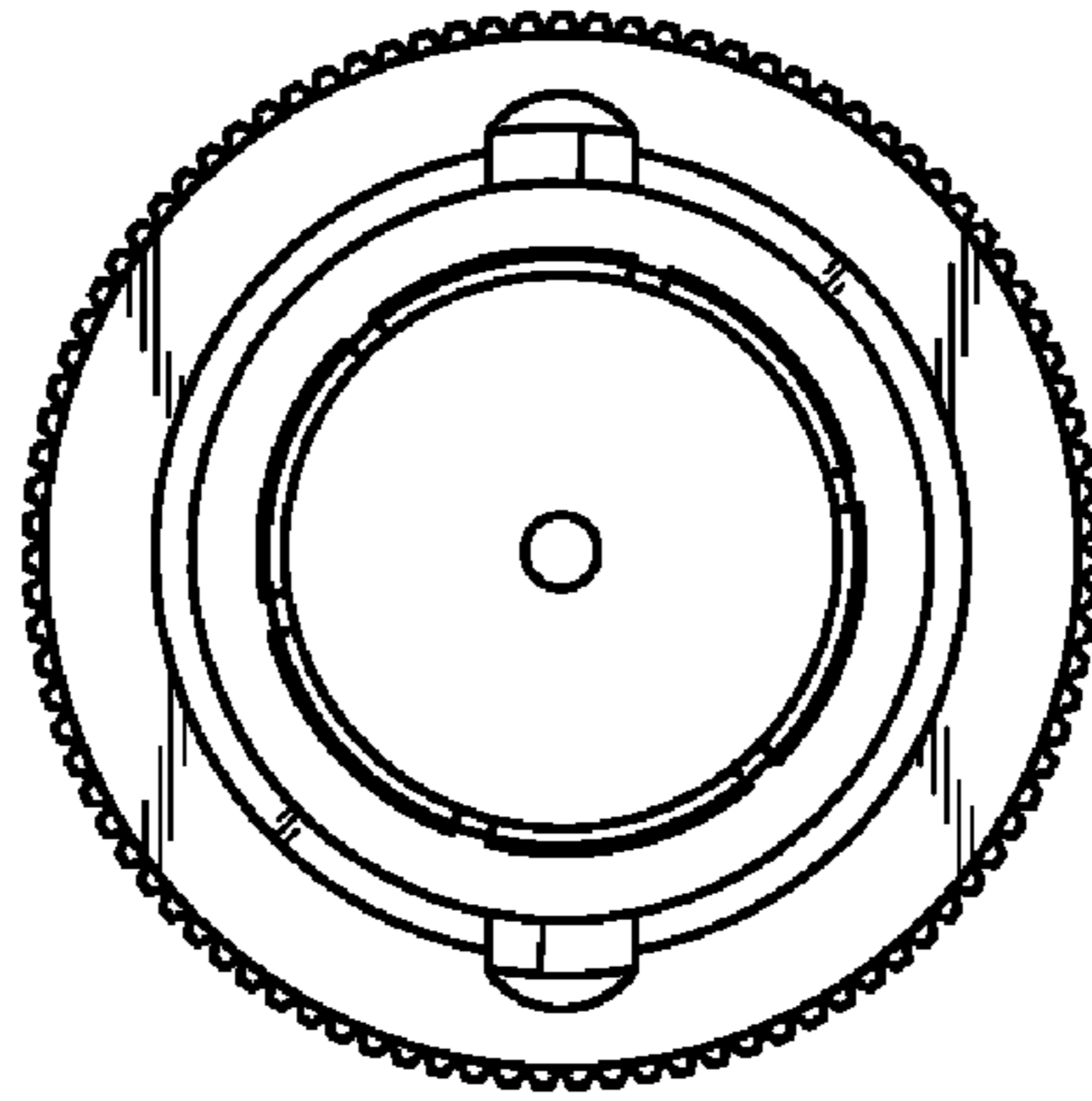
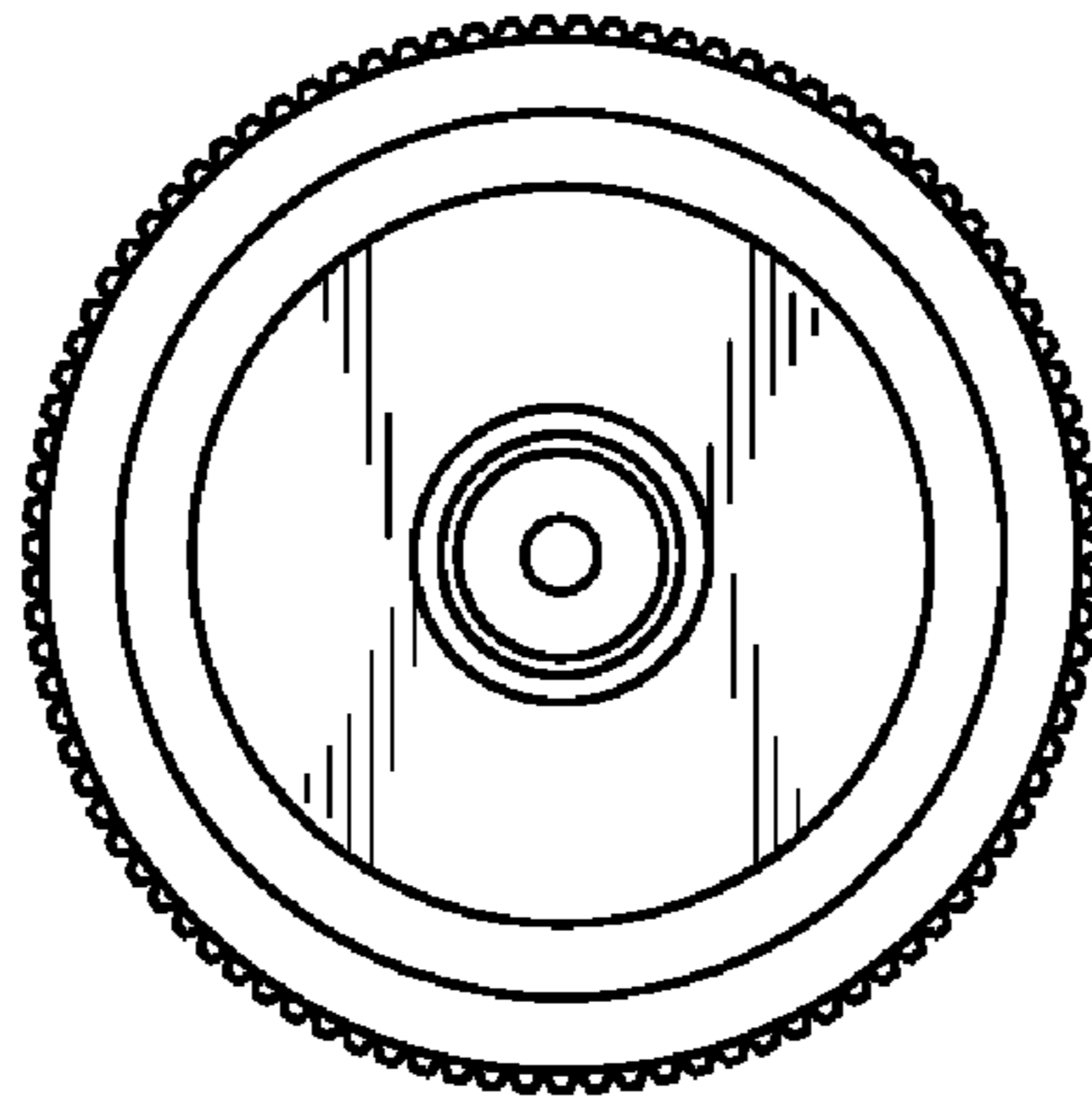


FIG. 1



**FIG. 2**



**FIG. 3**

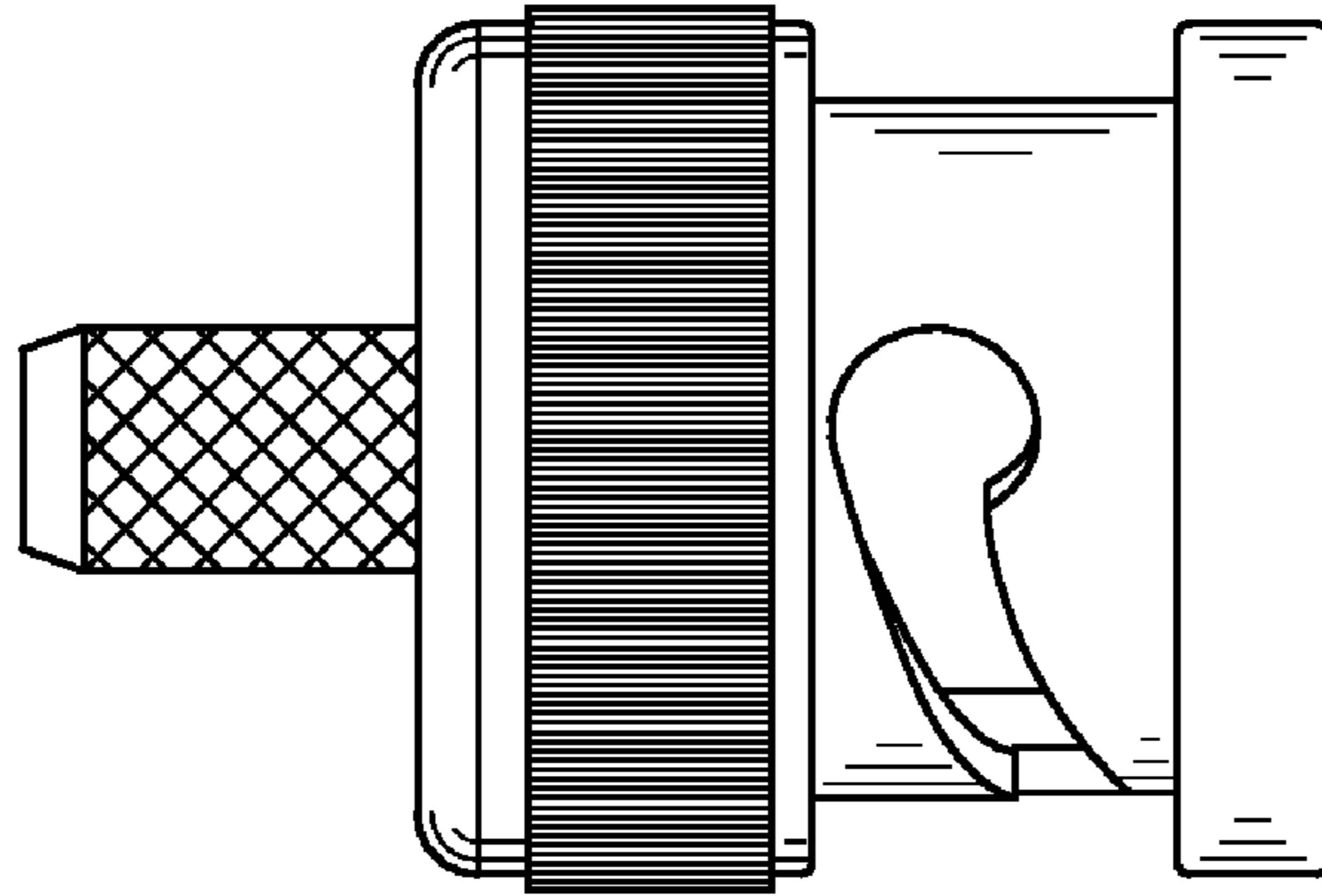


FIG. 4

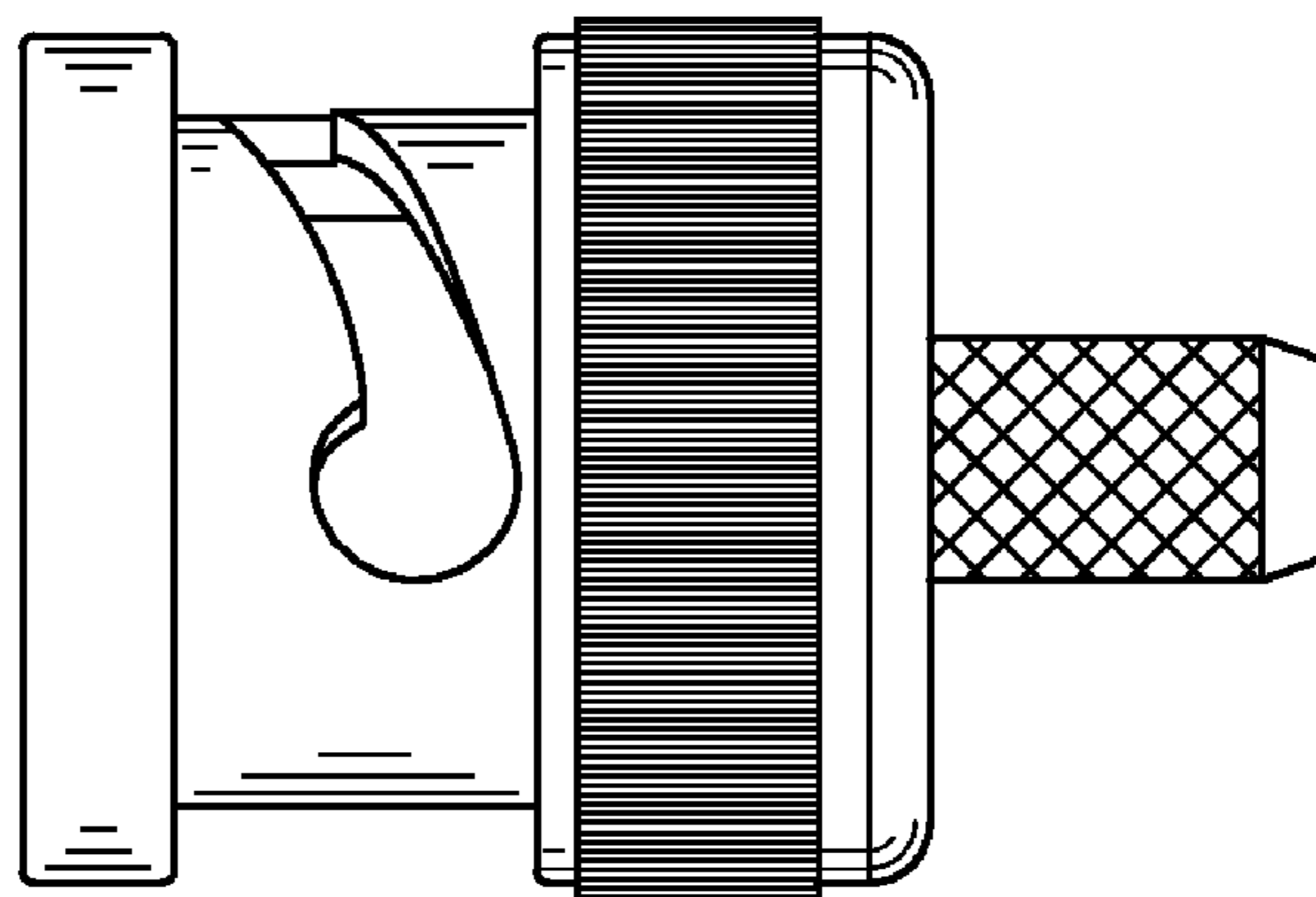


FIG. 5

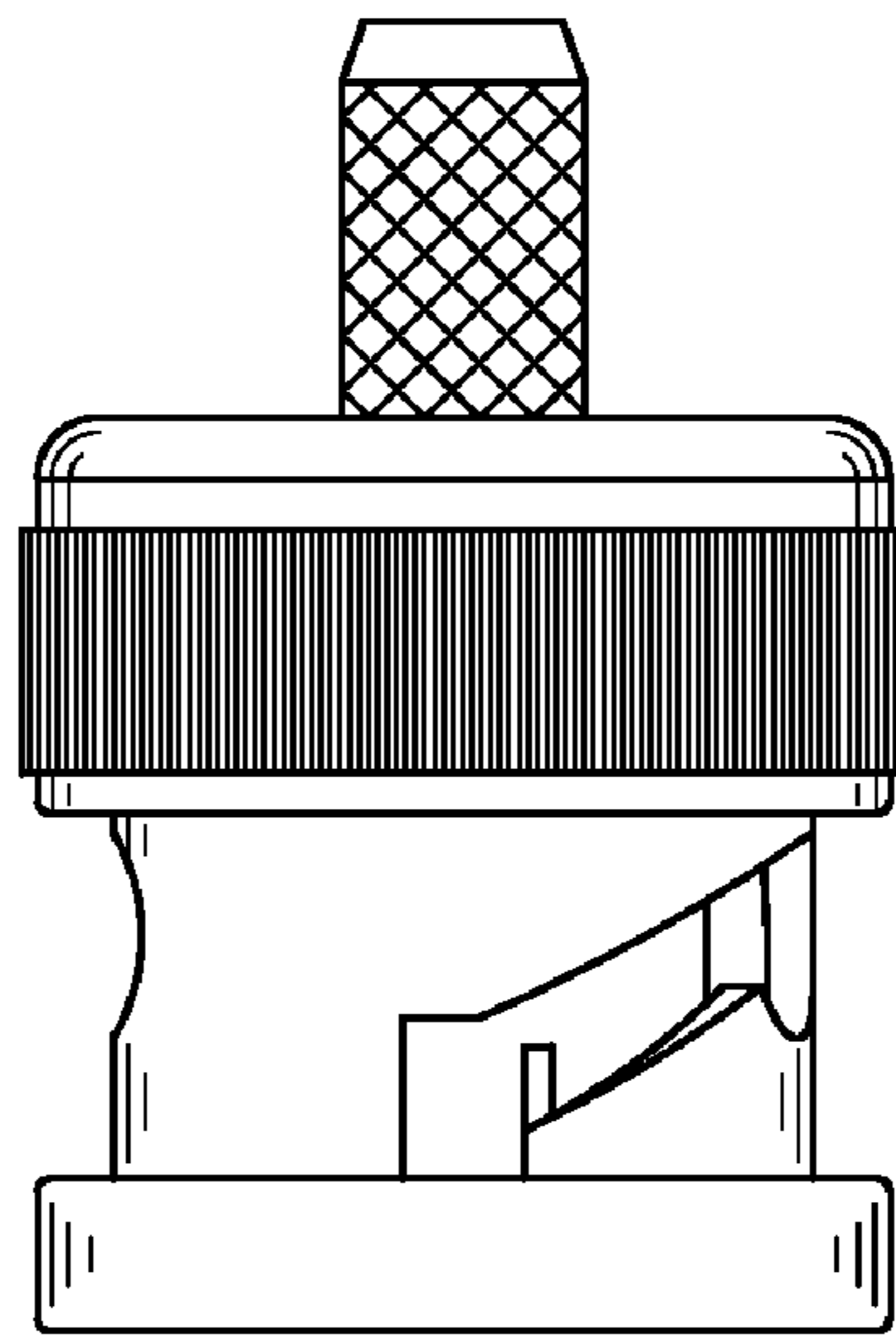


FIG. 6

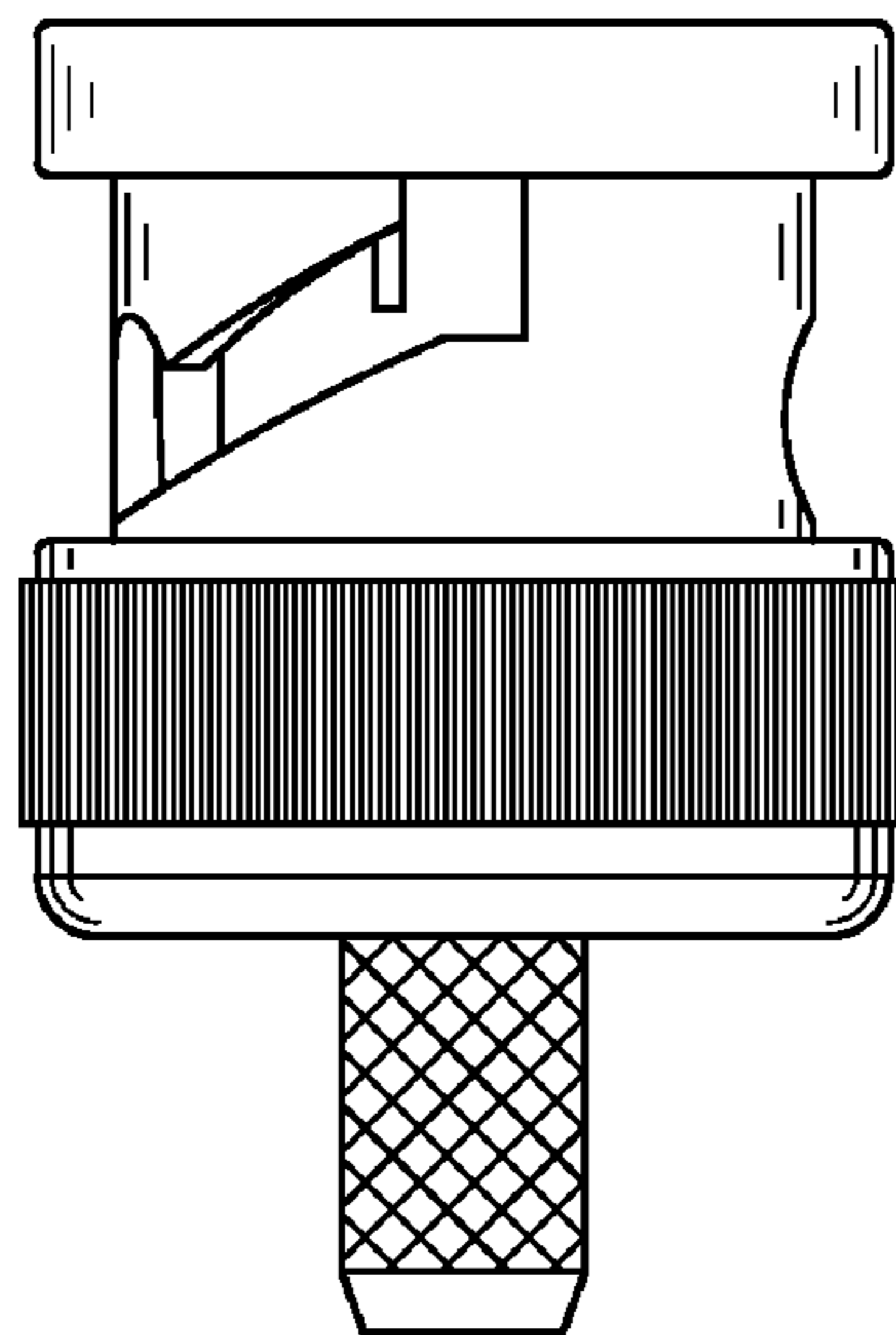


FIG. 7