

US00D593946S

(12) **United States Design Patent**
Takamura

(10) **Patent No.:** **US D593,946 S**
(45) **Date of Patent:** **** Jun. 9, 2009**

(54) **WHEELS FOR A PORTABLE GENERATOR CHASSIS**

(76) Inventor: **John Takamura**, P.O. Box 3232,
Carefree, AZ (US) 85377-3232

(**) Term: **14 Years**

(21) Appl. No.: **29/326,686**

(22) Filed: **Oct. 22, 2008**

(51) **LOC (9) Cl.** **13-01**

(52) **U.S. Cl.** **D13/122**

(58) **Field of Classification Search** D13/122,
D13/112, 114, 116, 118, 199; D3/255; D12/113,
D12/129, 131, 133, 204, 207, 209, 210, 212,
D12/501; D15/14, 23, 28; D21/533-538,
D21/663, 694; 290/1 A, 1 B; 307/64, 150

See application file for complete search history.

(56) **References Cited**

U.S. PATENT DOCUMENTS

D325,011 S *	3/1992	Marking	D12/501
D343,040 S	1/1994	Wilson		
D390,576 S *	2/1998	Shimamura	D15/14
D414,453 S *	9/1999	Tsai	D12/209
D418,809 S *	1/2000	Frank	D13/112
D430,078 S	8/2000	Ellis et al.		
D430,094 S *	8/2000	Hale, Jr.	D12/210
D444,285 S	6/2001	Konkle		

6,384,488 B1	5/2002	Bucharelli et al.		
D468,098 S	1/2003	Lu		
D476,939 S *	7/2003	Francis	D12/209
D483,821 S	12/2003	Yang		
D509,795 S *	9/2005	Buck	D13/116
D514,513 S *	2/2006	Vetter	D13/110
D519,431 S *	4/2006	Francis	D12/209
D562,916 S	2/2008	Laurienzo		

* cited by examiner

Primary Examiner—Prabhakar Deshmukh

Assistant Examiner—Derrick Holland

(74) *Attorney, Agent, or Firm*—Turner Padgett Graham & Laney

(57) **CLAIM**

The ornamental design for wheels for a portable generator chassis, as shown and described.

DESCRIPTION

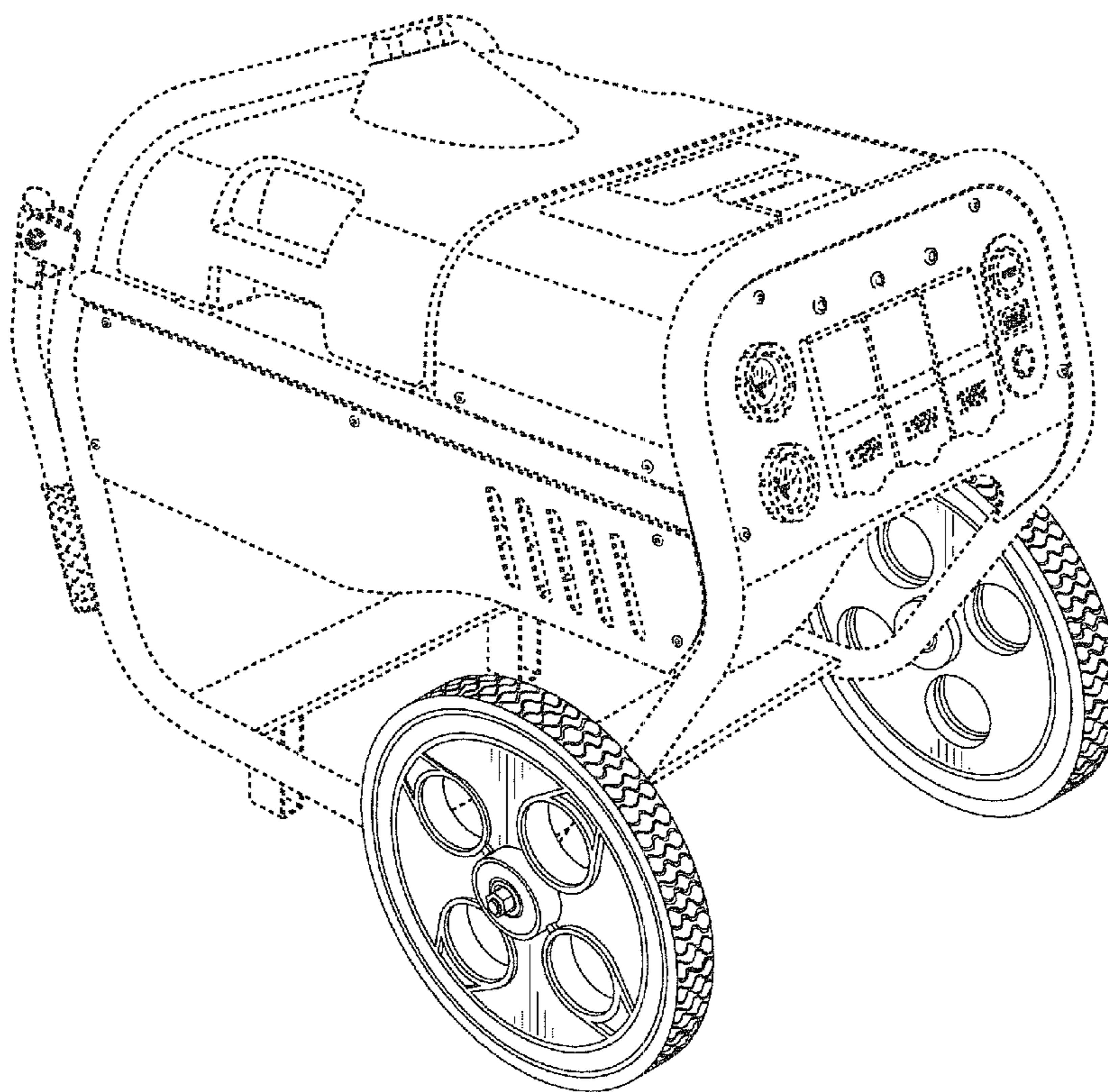
FIG. 1 is a front perspective view of wheels for a portable generator chassis showing my new design;

FIG. 2 is an enlarged side elevational view thereof; and,

FIG. 3 is a front elevational thereof, the top, rear and bottom being a mirror image.

The broken lines shown represent unclaimed subject matter and form no part of the claimed design.

1 Claim, 3 Drawing Sheets



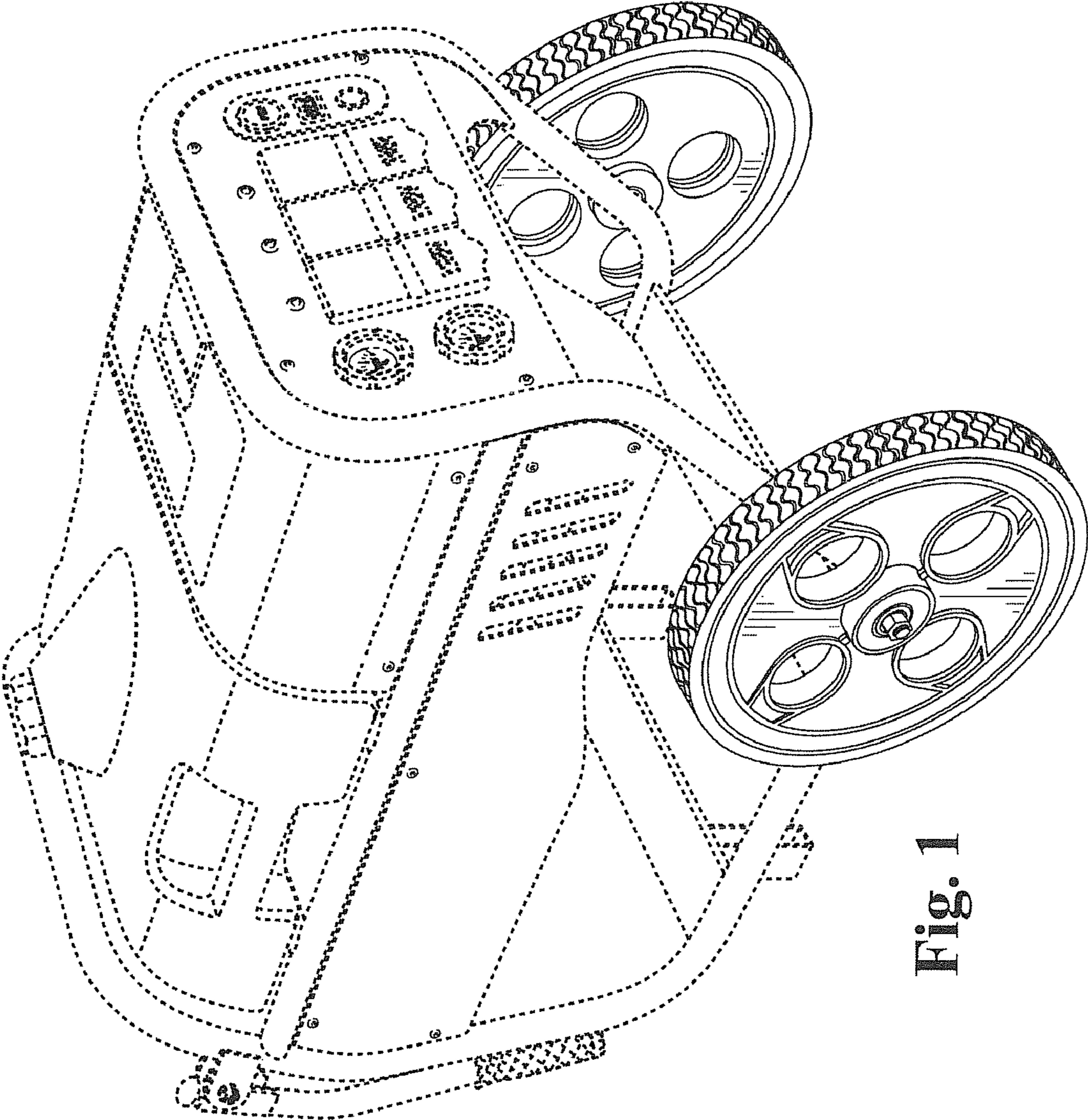


Fig. 1

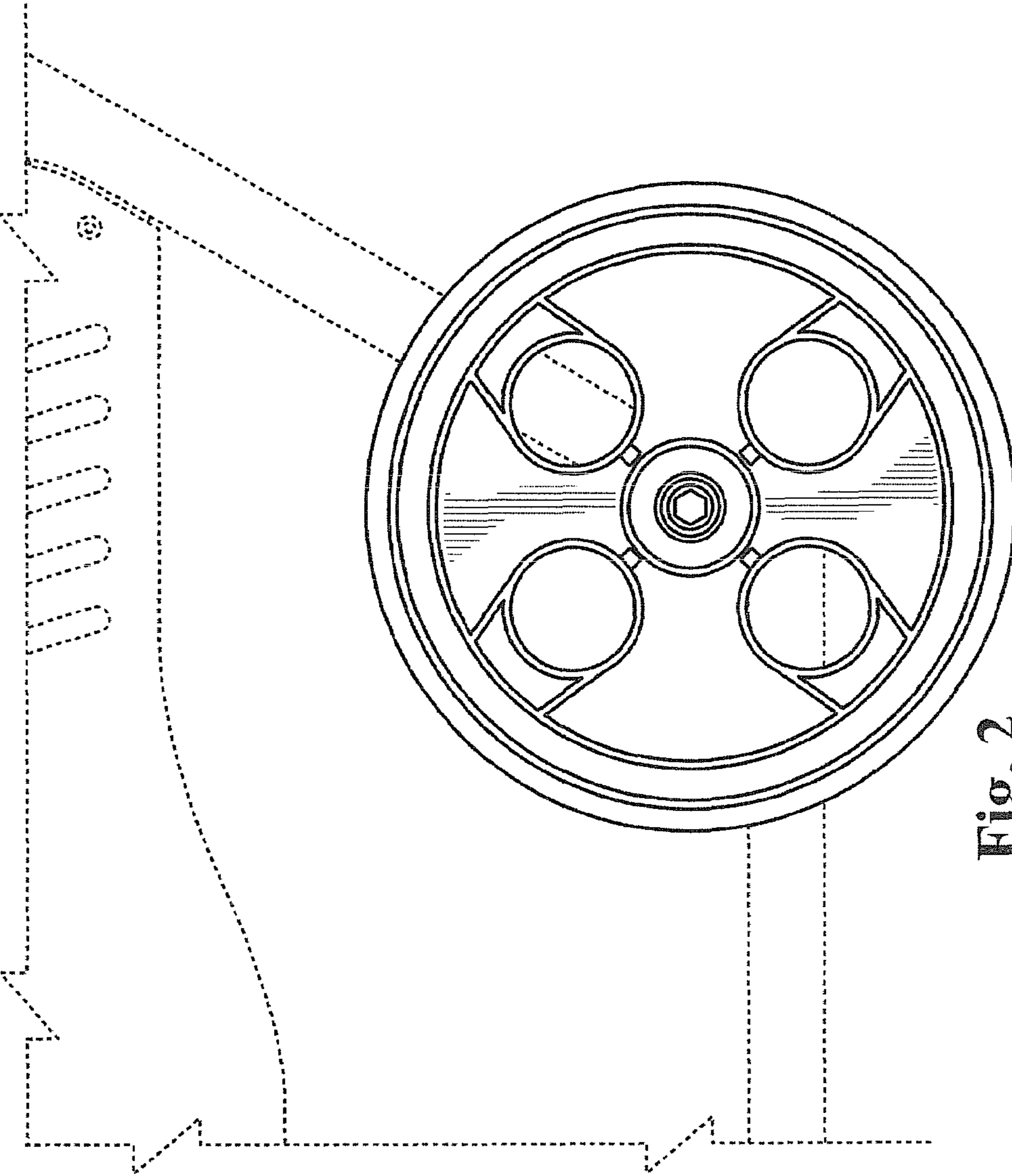


Fig. 2

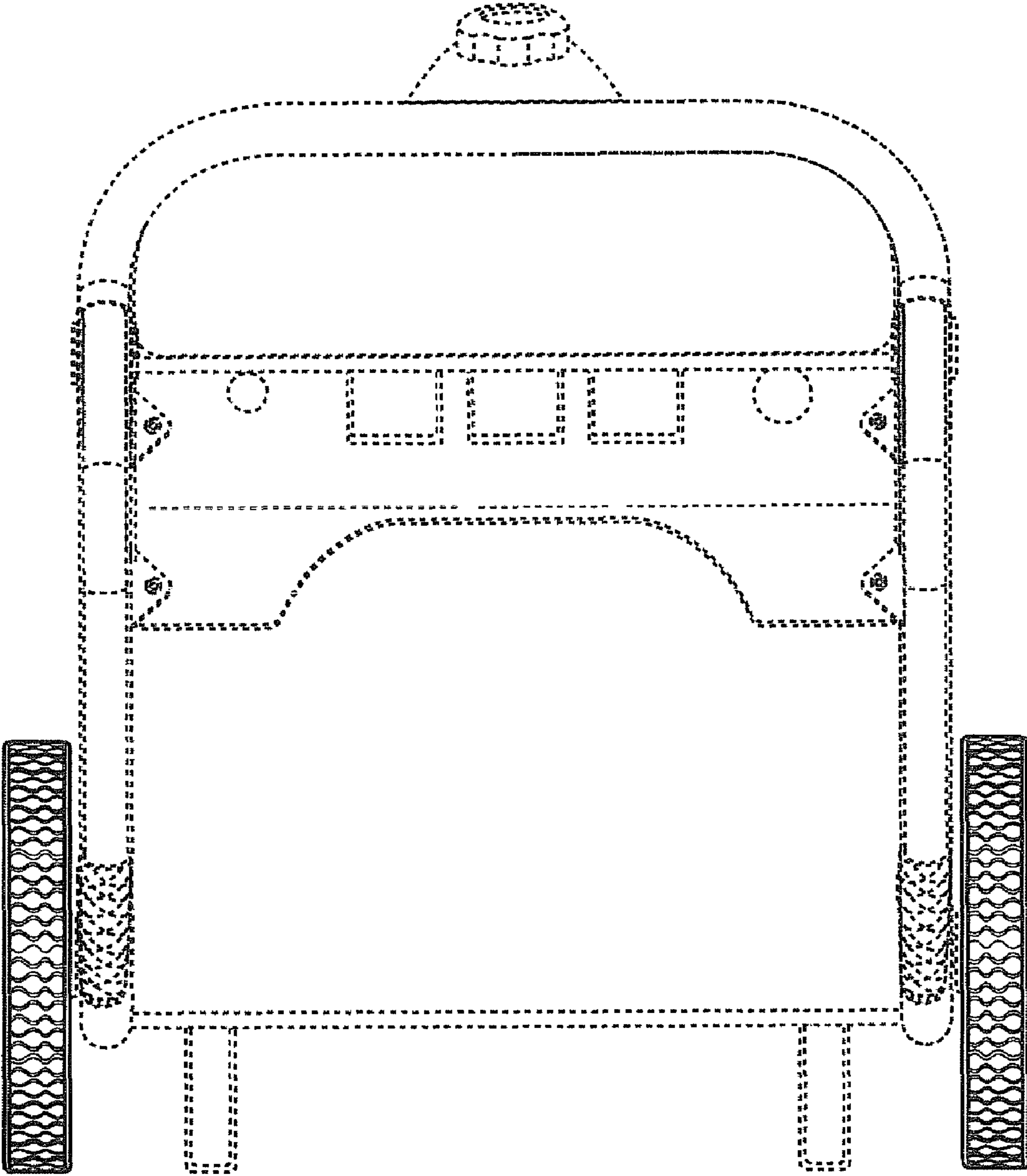


Fig. 3