



US00D593944S

(12) **United States Design Patent**  
**Smith**

(10) **Patent No.:** **US D593,944 S**  
(45) **Date of Patent:** **\*\* Jun. 9, 2009**

(54) **BATTERY**

(75) Inventor: **David M. Smith**, Simpsonville, SC (US)

(73) Assignee: **Eastway Fair Company Limited**, Road Town, Tortola (VG)

(\*\*) Term: **14 Years**

(21) Appl. No.: **29/327,698**

(22) Filed: **Nov. 11, 2008**

**Related U.S. Application Data**

(63) Continuation of application No. 29/305,870, filed on Mar. 28, 2008, now Pat. No. Des. 580,353.

(51) **LOC (9) Cl.** ..... **13-02**

(52) **U.S. Cl.** ..... **D13/119**

(58) **Field of Classification Search** ..... D13/102-106,  
D13/110, 118-119, 184; 429/96-100, 163,  
429/176

See application file for complete search history.

(56) **References Cited**

**U.S. PATENT DOCUMENTS**

|              |         |                 |               |
|--------------|---------|-----------------|---------------|
| D304,822 S   | 11/1989 | Fushiya et al.  |               |
| D321,338 S   | 11/1991 | Sakamoto et al. |               |
| D323,642 S   | 2/1992  | Liao            |               |
| D334,012 S   | 3/1993  | Chen            |               |
| D342,479 S   | 12/1993 | Kimata          |               |
| D352,698 S * | 11/1994 | Okumura         | ..... D13/103 |
| D368,067 S   | 3/1996  | Okumura         |               |
| D384,639 S   | 10/1997 | Kawakami et al. |               |
| D387,728 S * | 12/1997 | Kawakami et al. | ..... D13/103 |
| D397,991 S   | 9/1998  | Kawakami et al. |               |
| D412,485 S   | 8/1999  | Kato et al.     |               |
| D417,648 S   | 12/1999 | Clowers et al.  |               |
| D432,077 S   | 10/2000 | Zurwelle et al. |               |

|              |         |                 |               |
|--------------|---------|-----------------|---------------|
| D474,445 S   | 5/2003  | Matsuoka et al. |               |
| D504,111 S   | 4/2005  | Ozawa et al.    |               |
| D504,394 S   | 4/2005  | Cheung et al.   |               |
| D510,317 S   | 10/2005 | Sun             |               |
| D528,975 S   | 9/2006  | Chi et al.      |               |
| D530,270 S   | 10/2006 | Ozawa et al.    |               |
| D544,436 S   | 6/2007  | Kawahara et al. |               |
| D547,264 S   | 7/2007  | Kondo           |               |
| D579,868 S * | 11/2008 | Harrison        | ..... D13/103 |
| D580,353 S * | 11/2008 | Harrison et al. | ..... D13/103 |

\* cited by examiner

*Primary Examiner*—Jennifer Rivard

*Assistant Examiner*—Rosemary K Tarcza

(74) *Attorney, Agent, or Firm*—Michael Best & Friedrich LLP

(57) **CLAIM**

I claim the ornamental design for a battery, as shown and described.

**DESCRIPTION**

FIG. 1 is a perspective view of a battery of the present invention.

FIG. 2 is a left side view of the battery of FIG. 1.

FIG. 3 is a front side view of the battery of FIG. 1.

FIG. 4 is a rear side view of the battery of FIG. 1.

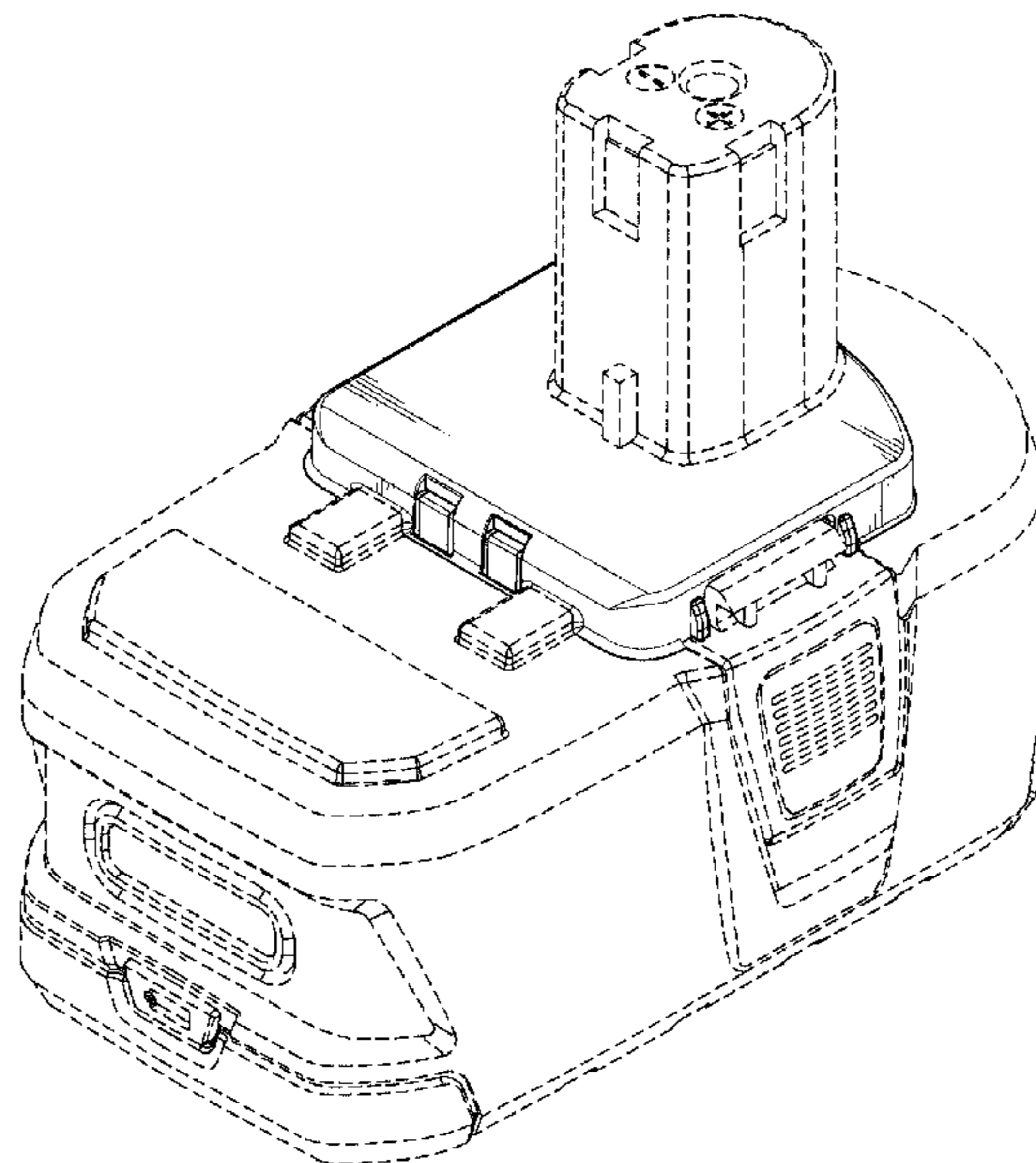
FIG. 5 is a right side view of the battery of FIG. 1.

FIG. 6 is a top view of the battery of FIG. 1; and,

FIG. 7 is a bottom view of the battery of FIG. 1.

The ornamental design which is claimed is shown in solid lines in the drawings. Any broken lines in the drawings are for illustrative purposes only and form no part of the claimed design.

**1 Claim, 7 Drawing Sheets**



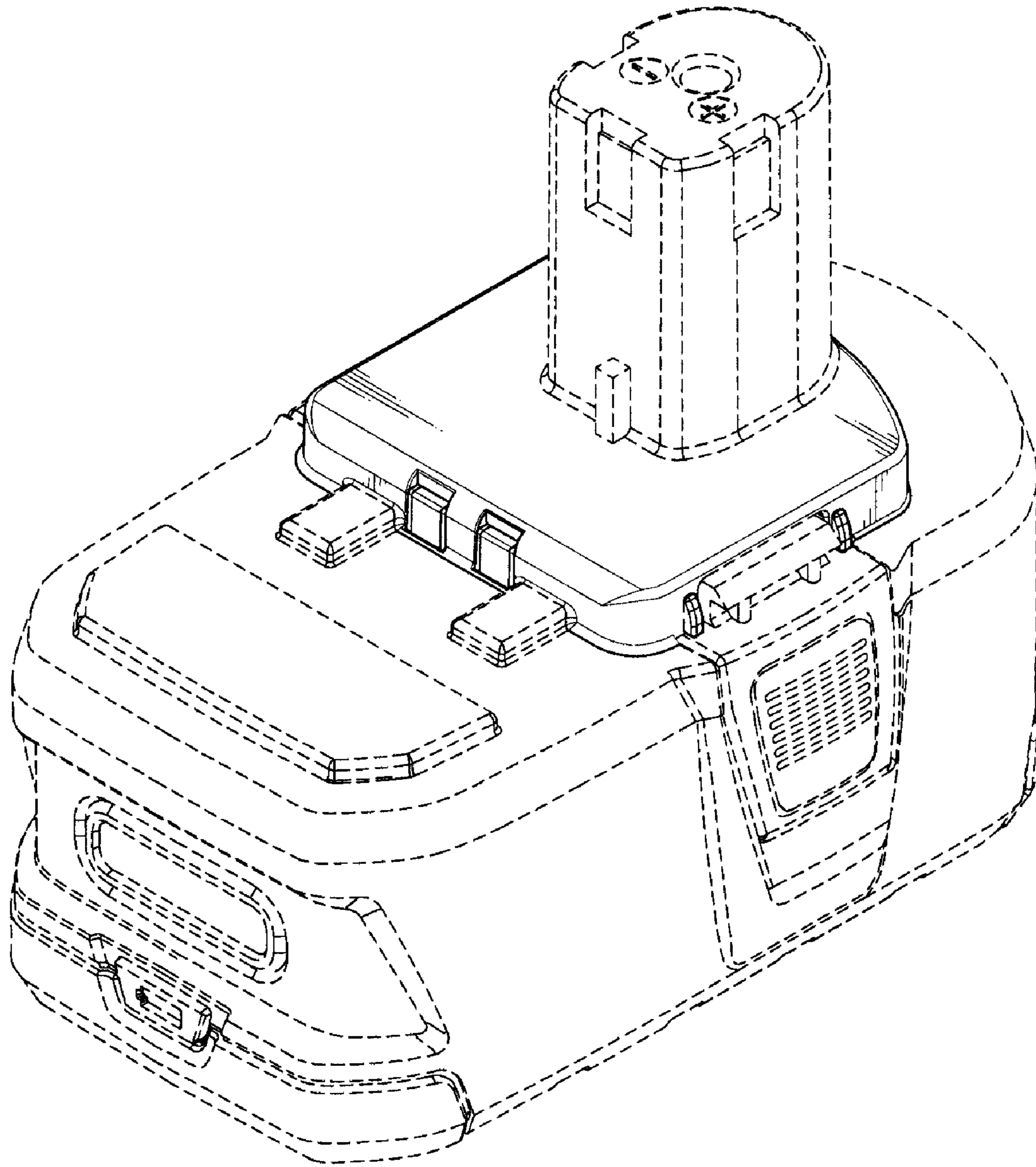


FIG. 1

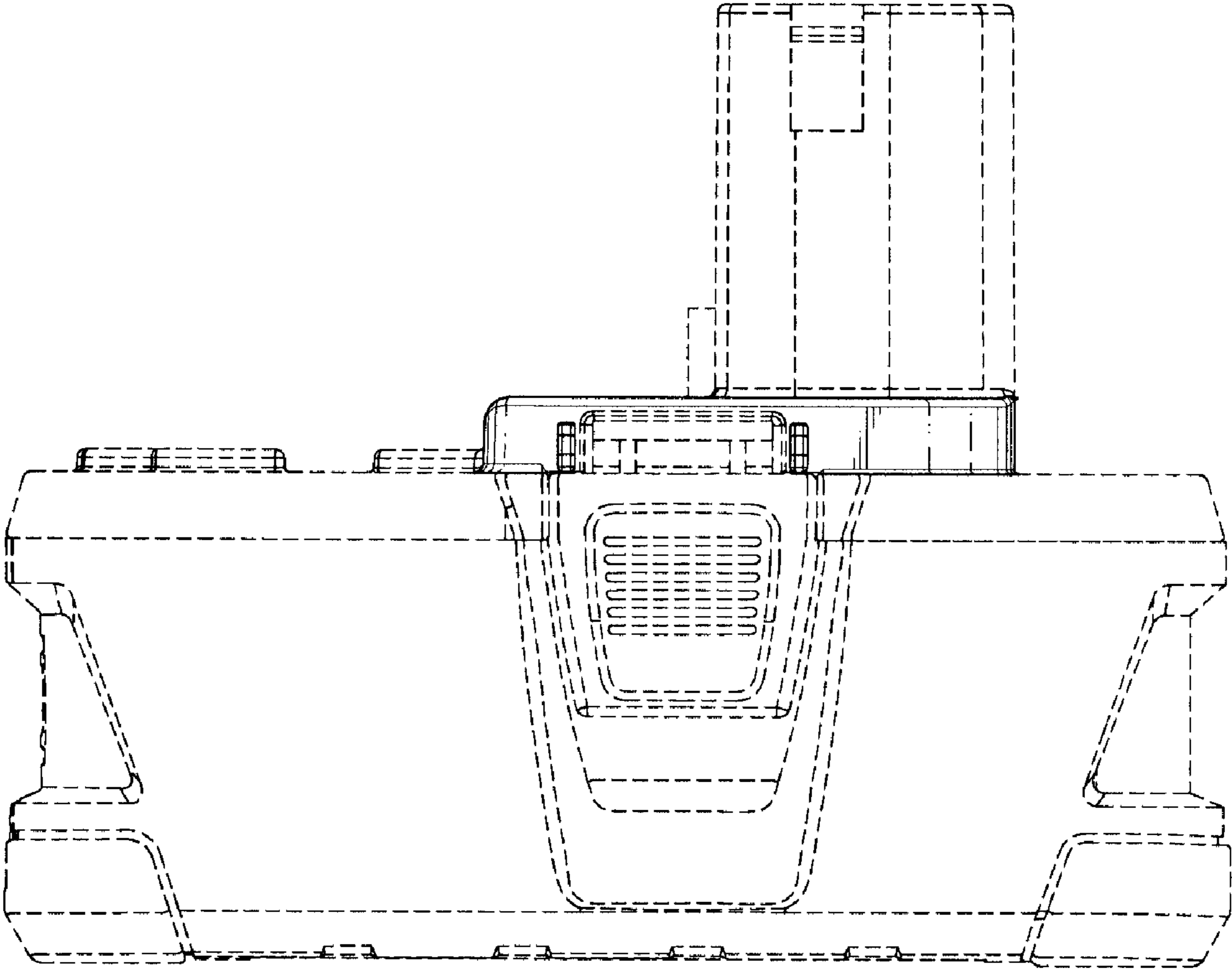


FIG. 2

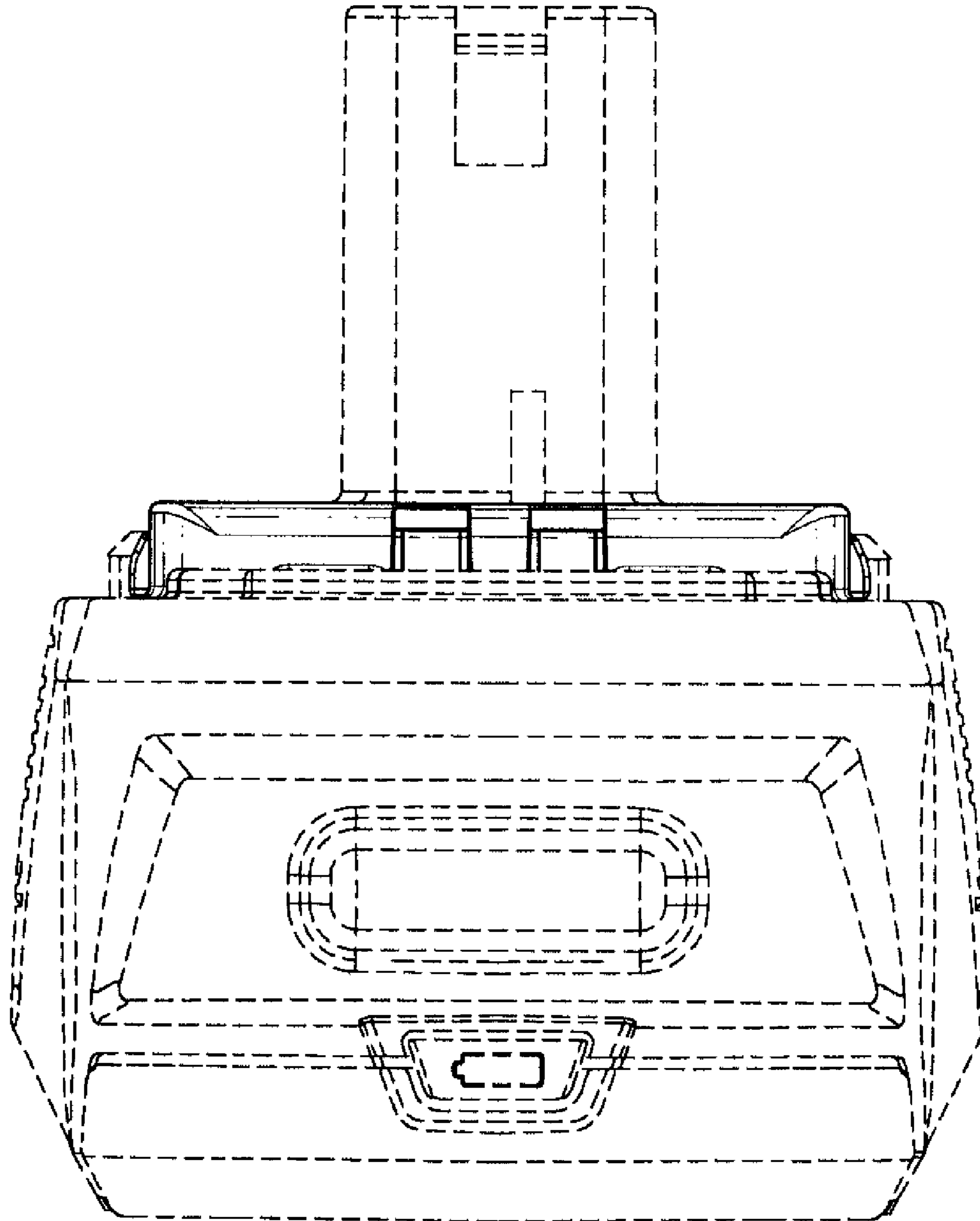


FIG. 3

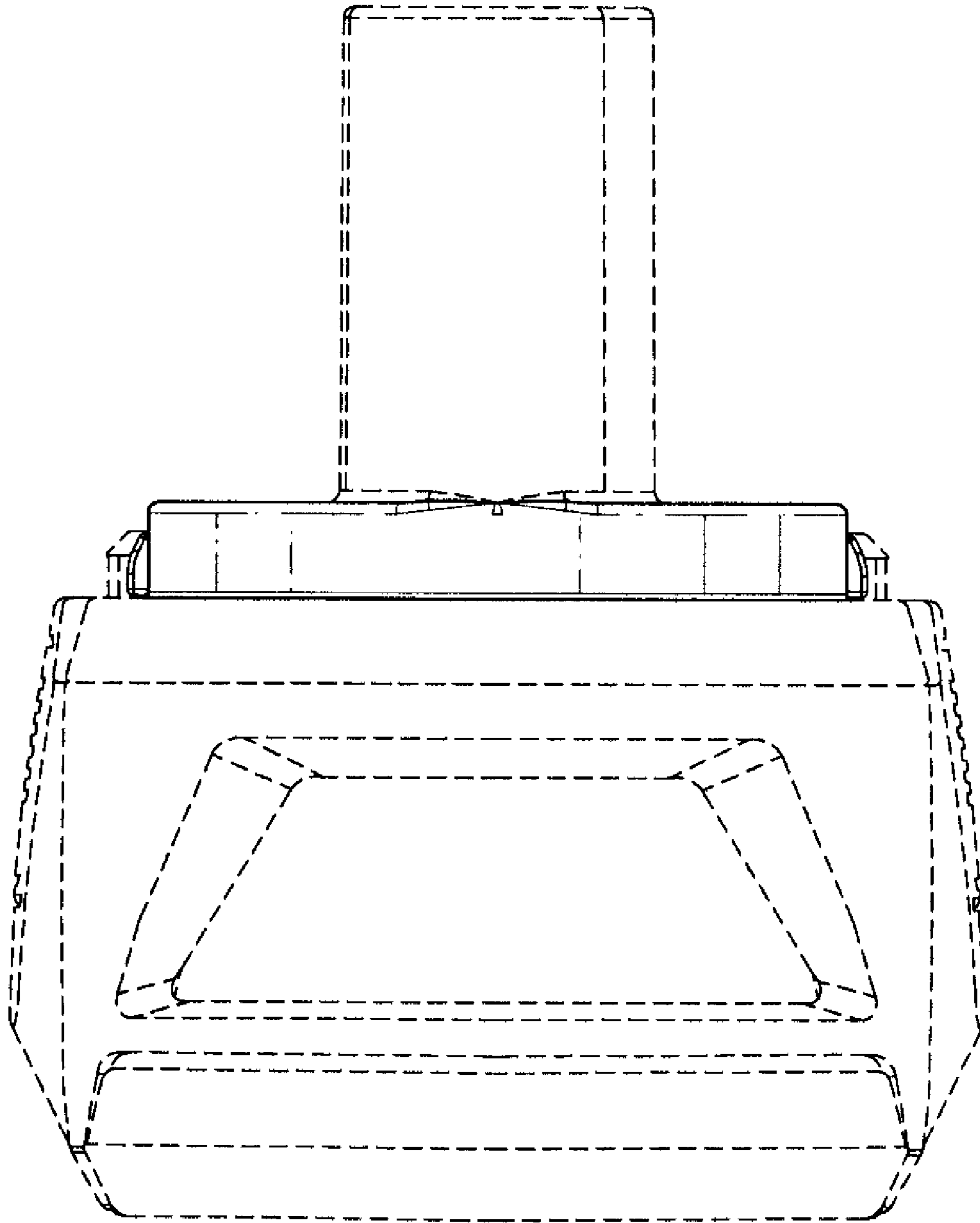


FIG. 4

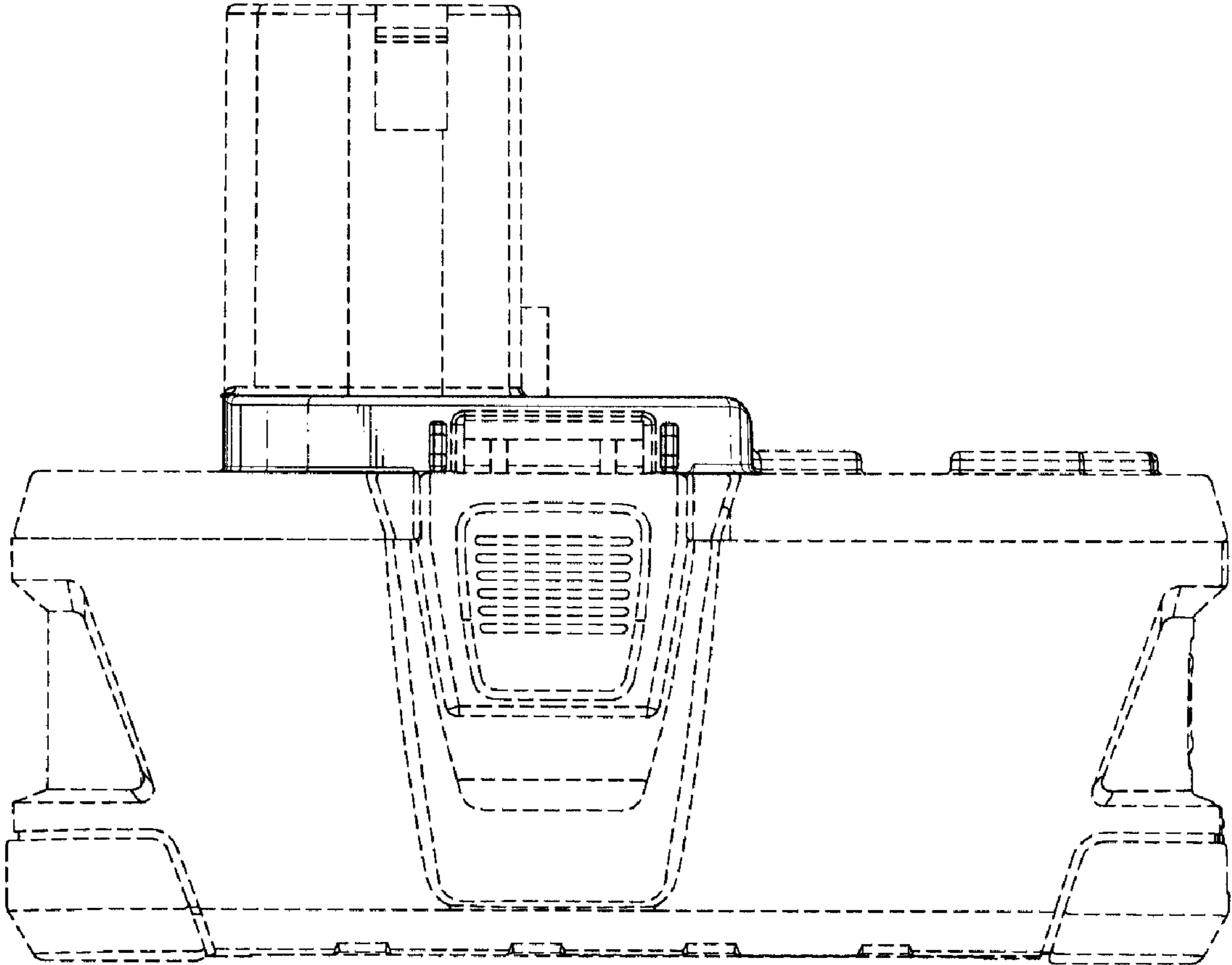


FIG. 5

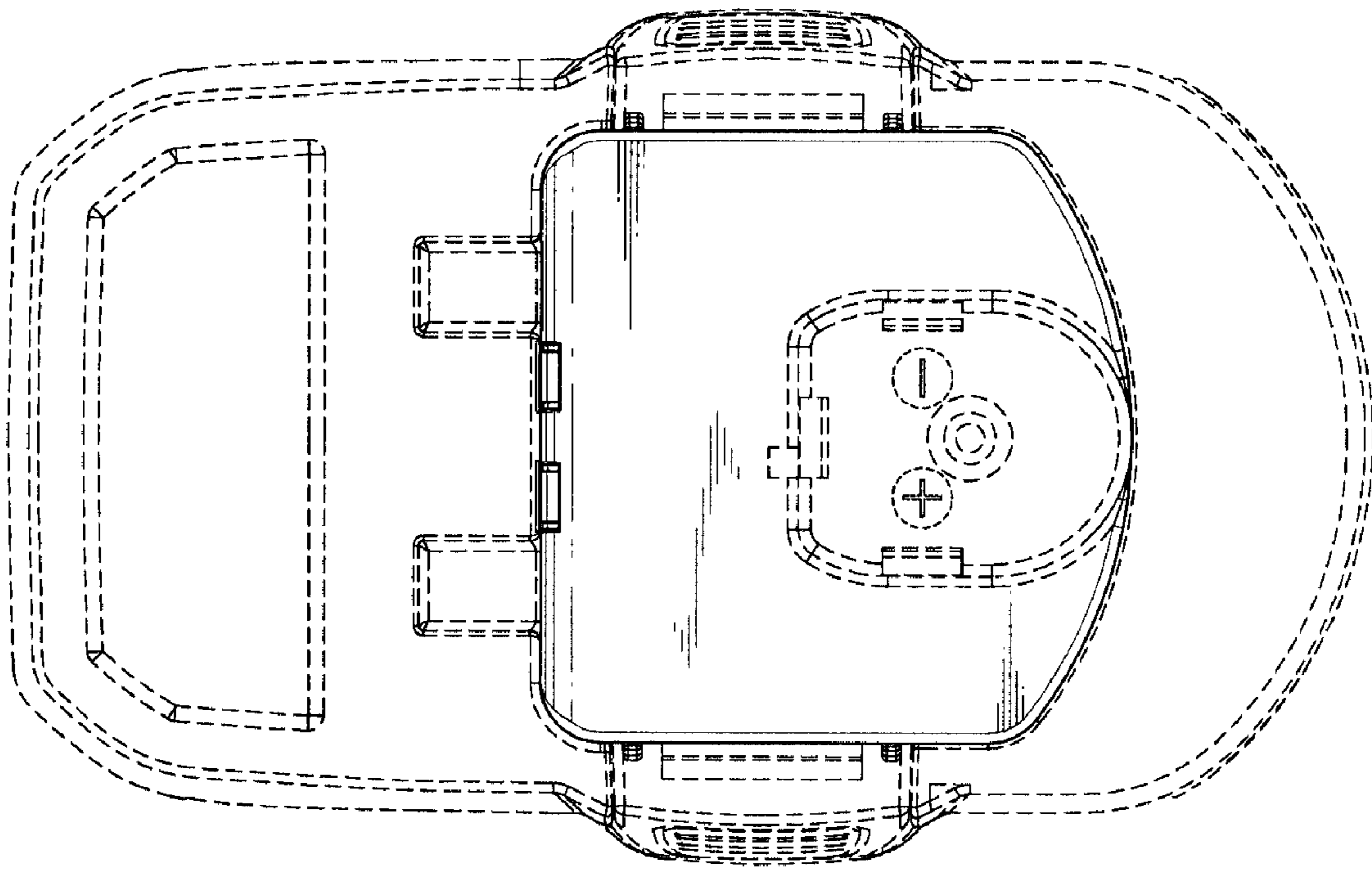


FIG. 6

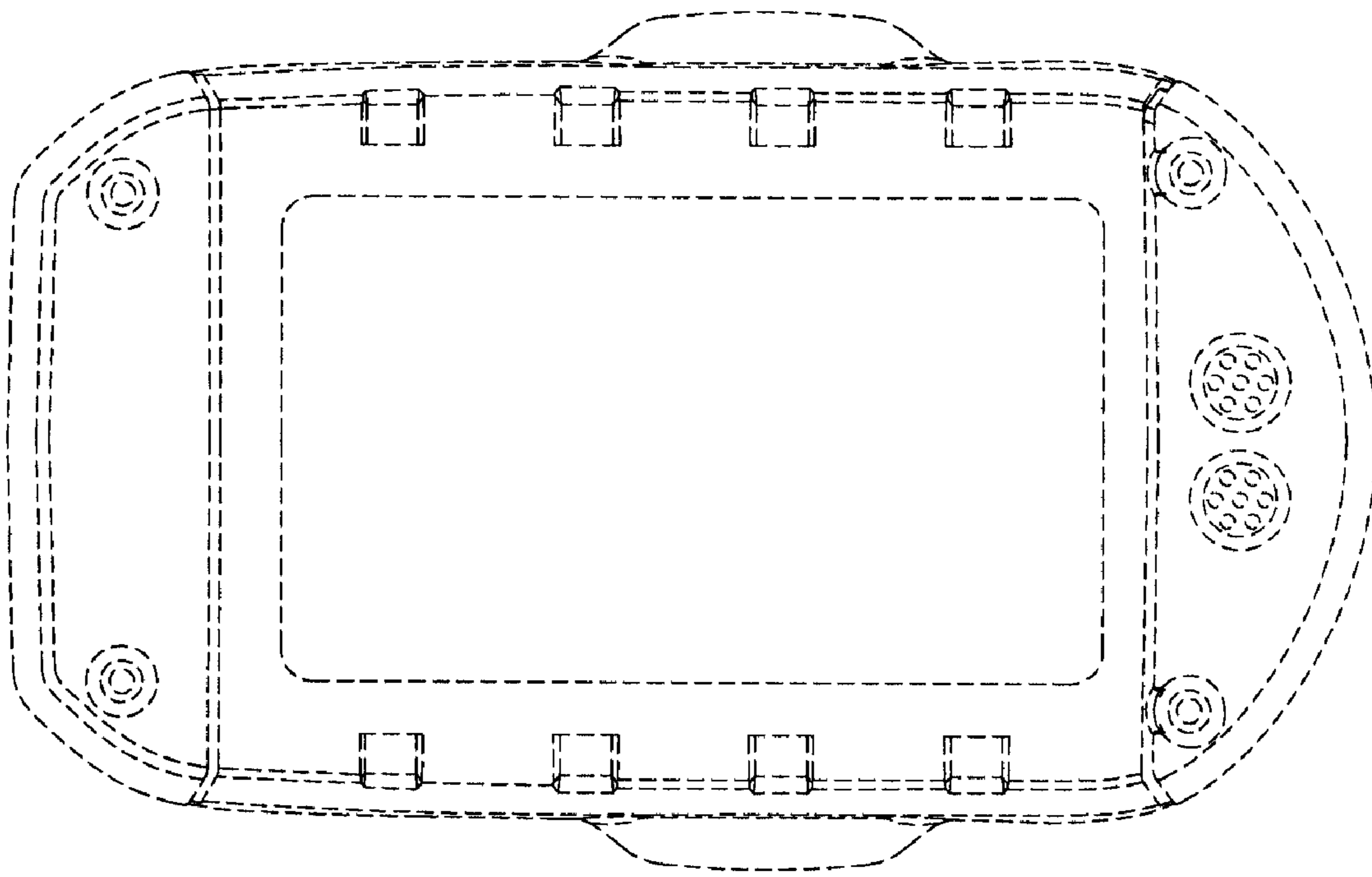


FIG. 7