

US00D593942S

(12) **United States Design Patent**
Lannoch

(10) **Patent No.:** **US D593,942 S**
(45) **Date of Patent:** **** Jun. 9, 2009**

(54) **ELECTRIC MOTOR DEVICE**

(75) Inventor: **Hans-Juergen Lannoch,**
Linkenheim-Hochstetten (DE)

(73) Assignee: **Sew-Eurodrive GmbH & Co., KG,**
Bruchsal (DE)

(**) Term: **14 Years**

(21) Appl. No.: **29/235,806**

(22) Filed: **Aug. 3, 2005**

(30) **Foreign Application Priority Data**

Feb. 4, 2005 (DE) 4 05 00 704 3

(51) **LOC (9) Cl.** **13-01**

(52) **U.S. Cl.** **D13/112**

(58) **Field of Classification Search** D13/112,
D13/113, 114, 122, 199; D15/3, 5, 199;
74/606 R, 609; 310/10, 40 R, 42, 51, 58,
310/71, 85, 89, 91, 109, 236, 239, 254; 318/245,
318/255

See application file for complete search history.

(56) **References Cited**

U.S. PATENT DOCUMENTS

D137,665 S * 4/1944 Heintz D13/113
D140,204 S * 1/1945 Lear D13/112
D140,493 S * 2/1945 Wehner D13/112
D141,554 S * 6/1945 Lear D13/112

D207,401 S * 4/1967 Andrews et al. D13/114
D336,890 S * 6/1993 Hirose et al. D13/112
5,543,671 A * 8/1996 Williams 310/71
D386,744 S * 11/1997 Urvoy D13/112
D424,516 S * 5/2000 Friedrichsen D13/112
D511,138 S * 11/2005 Kwan D13/112

* cited by examiner

Primary Examiner—Prabhakar Deshmukh

Assistant Examiner—Derrick Holland

(74) *Attorney, Agent, or Firm*—Kenyon & Kenyon LLP

(57) **CLAIM**

The ornamental design for an electric motor device, as shown and described.

DESCRIPTION

FIG. 1 is a perspective view of an electric motor device showing our new design.

FIG. 2 is another perspective view thereof.

FIG. 3 is a front view thereof.

FIG. 4 is a left side view thereof, the right side view being a mirror image of the left side view.

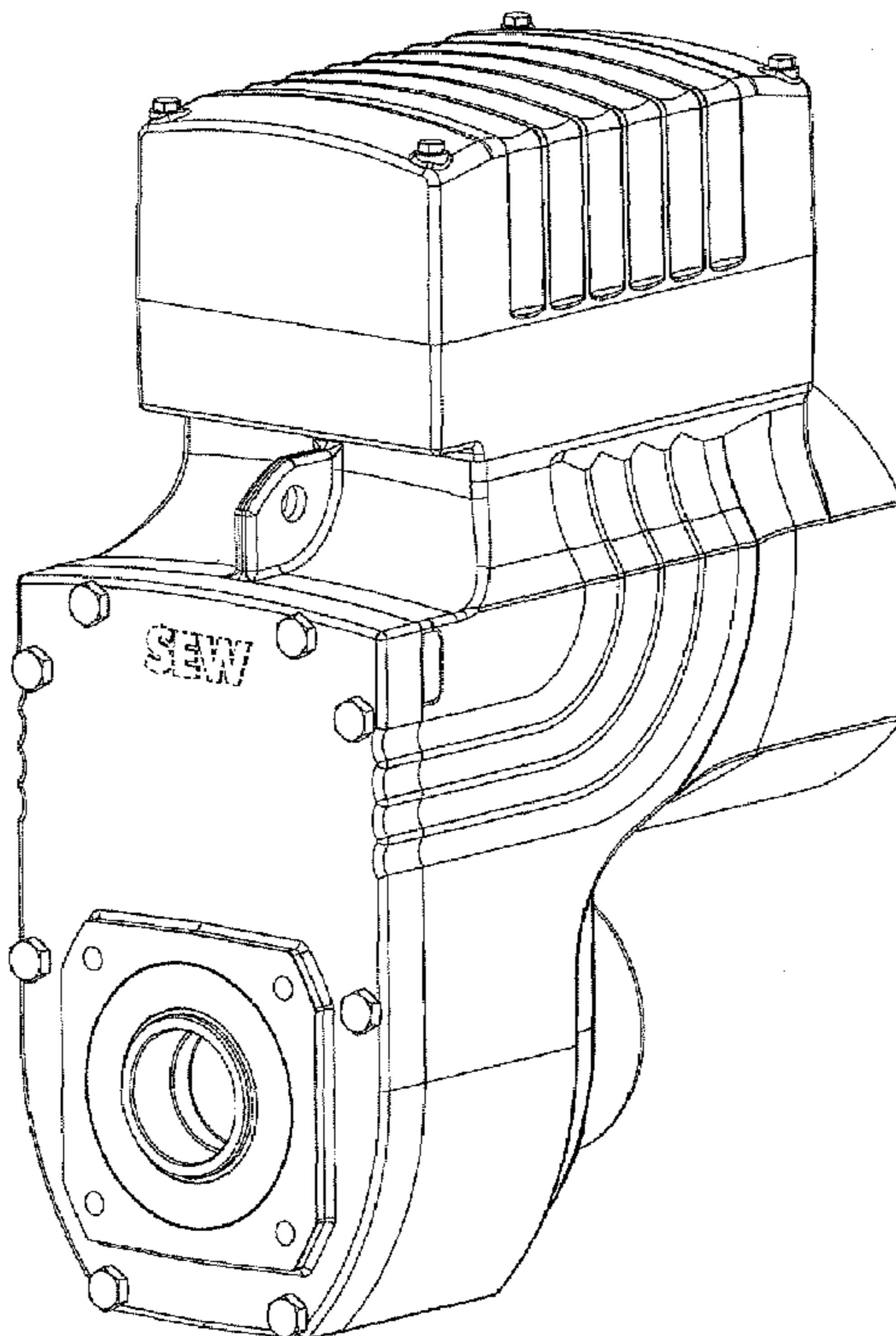
FIG. 5 is a rear view thereof.

FIG. 6 is a top view thereof; and,

FIG. 7 is a bottom view thereof.

The “SEW” logo shown in broken lines represents unclaimed subject matter and forms no part of the claimed design.

1 Claim, 7 Drawing Sheets



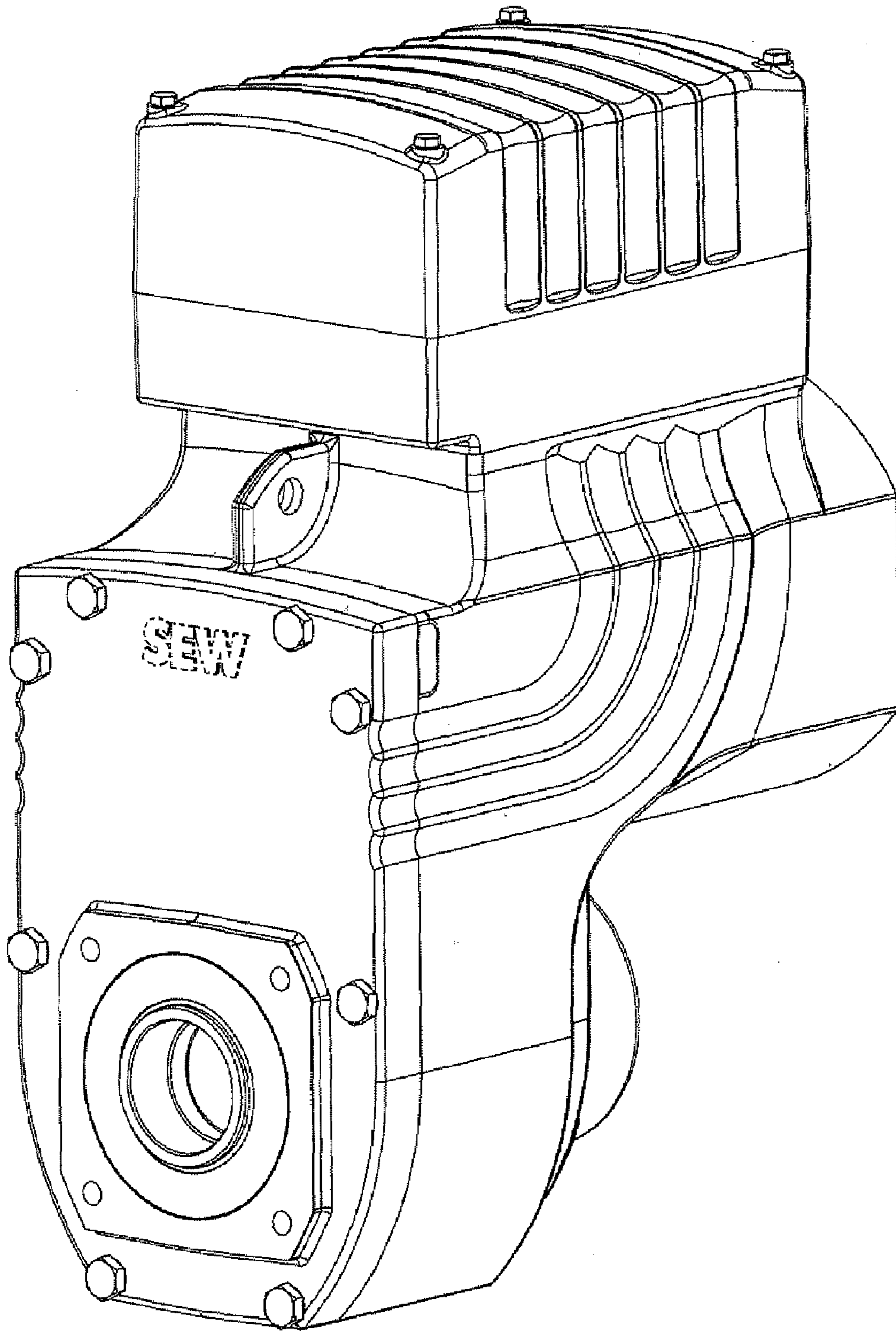


Figure 1

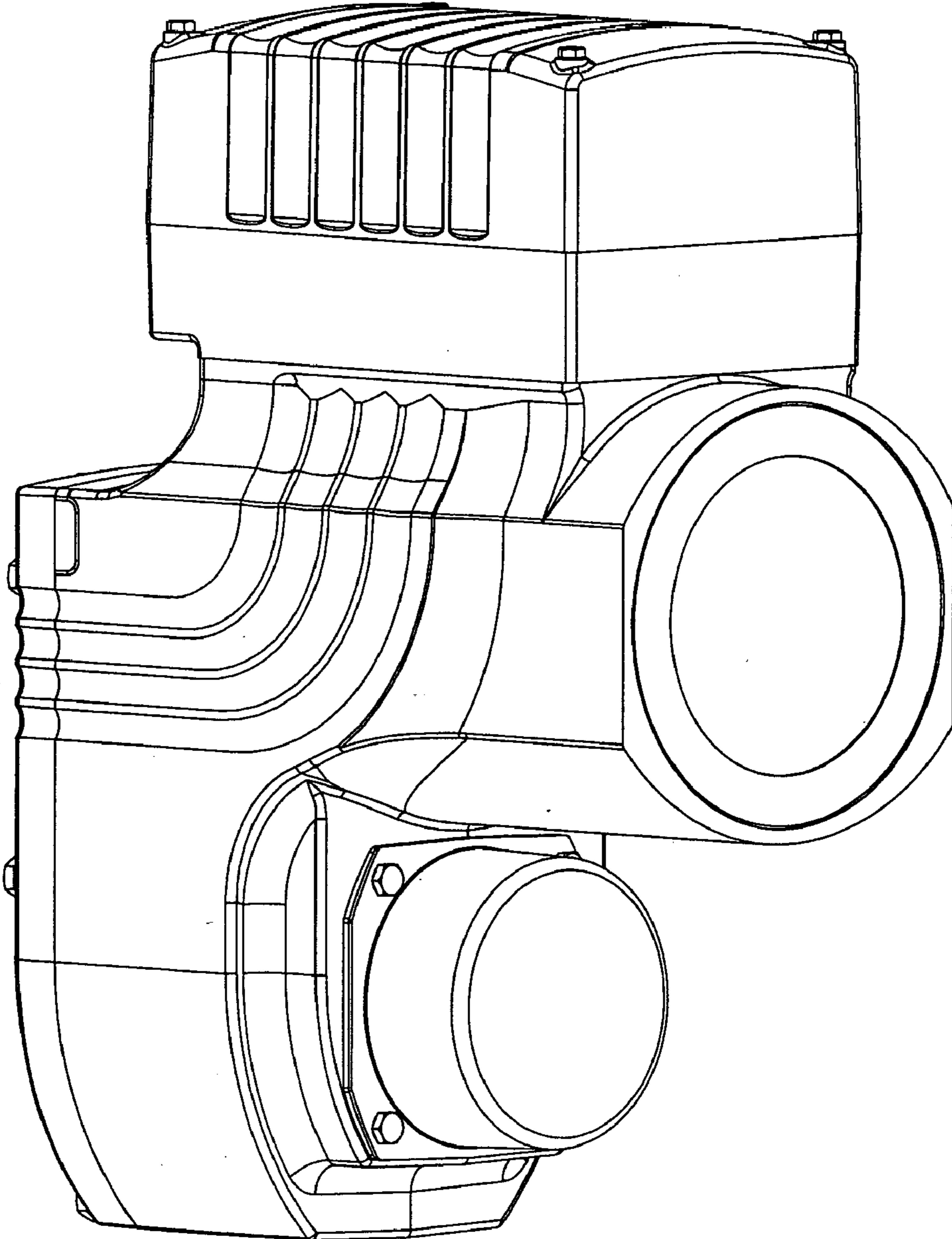


Figure 2

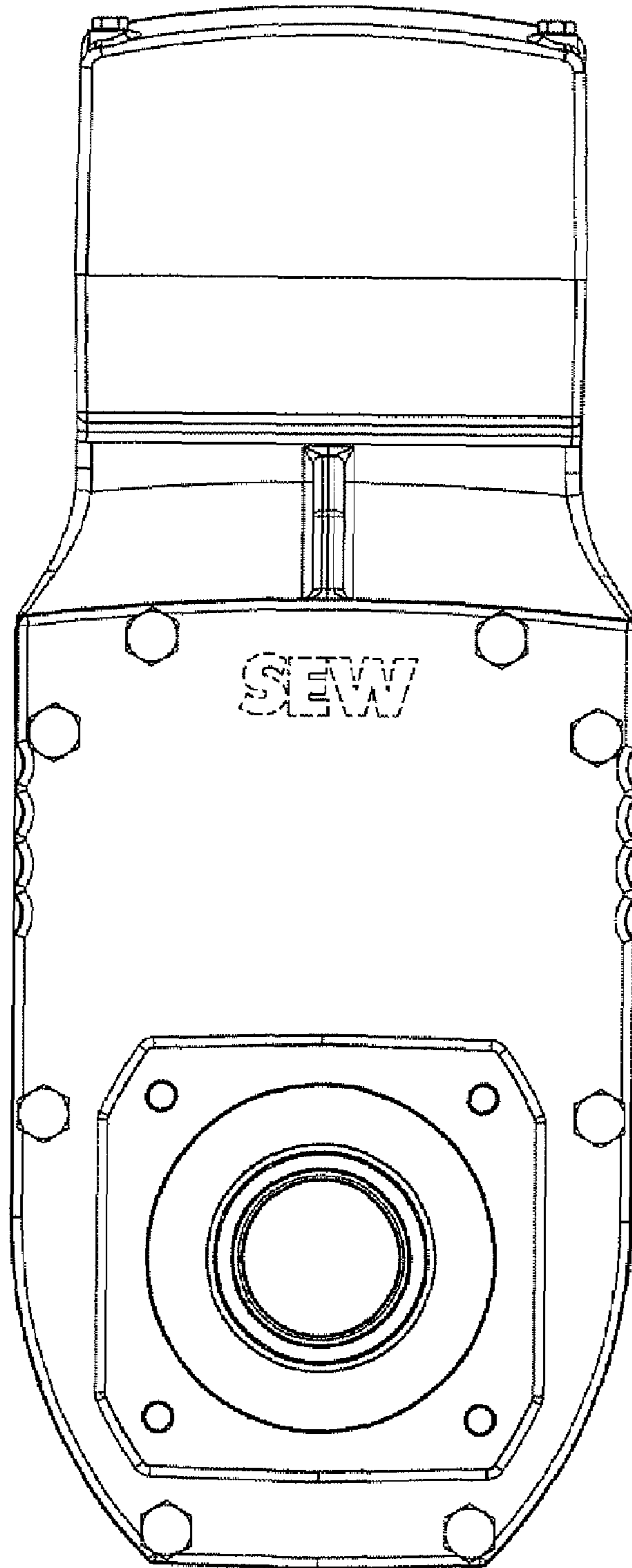


Figure 3

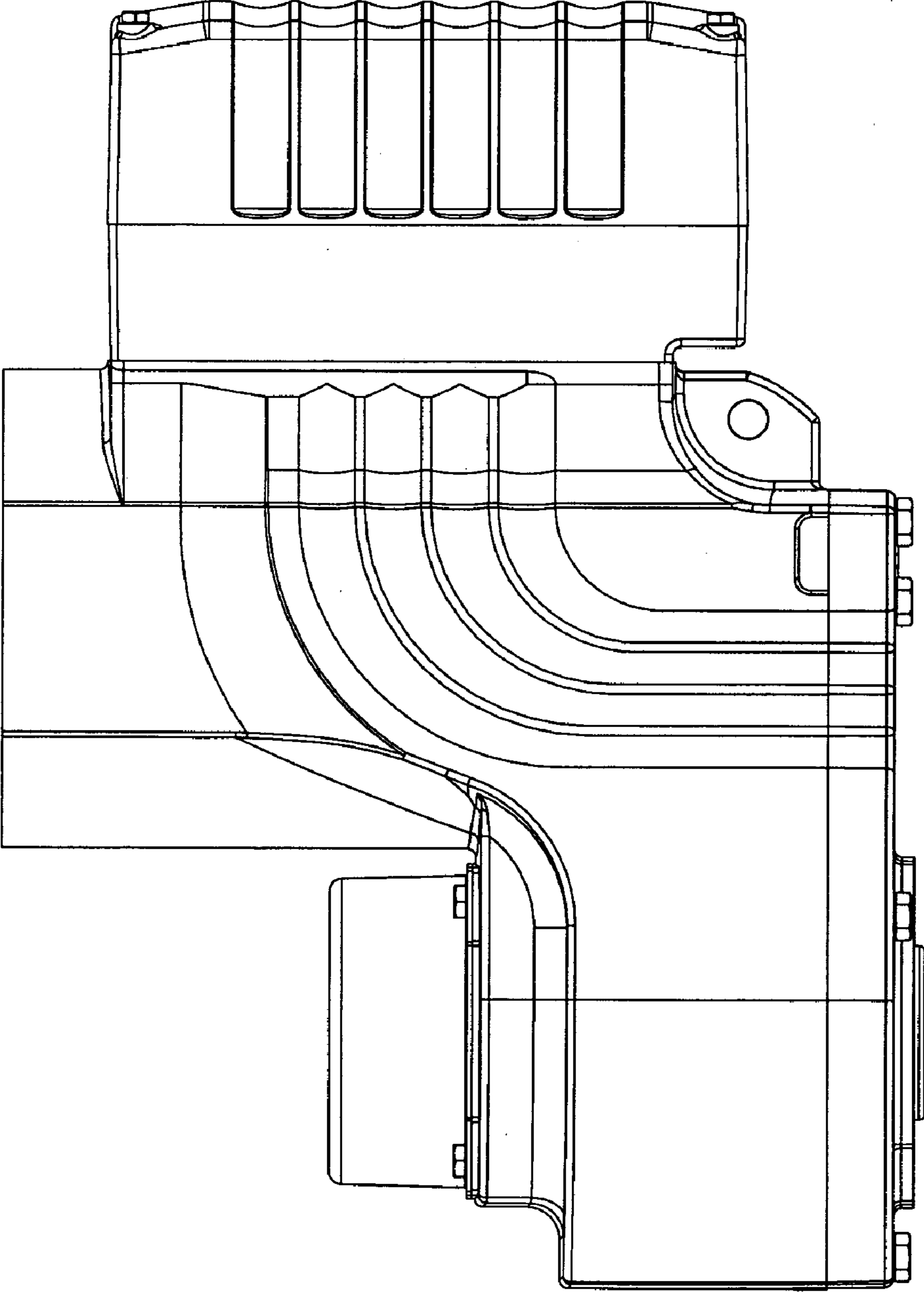


Figure 4

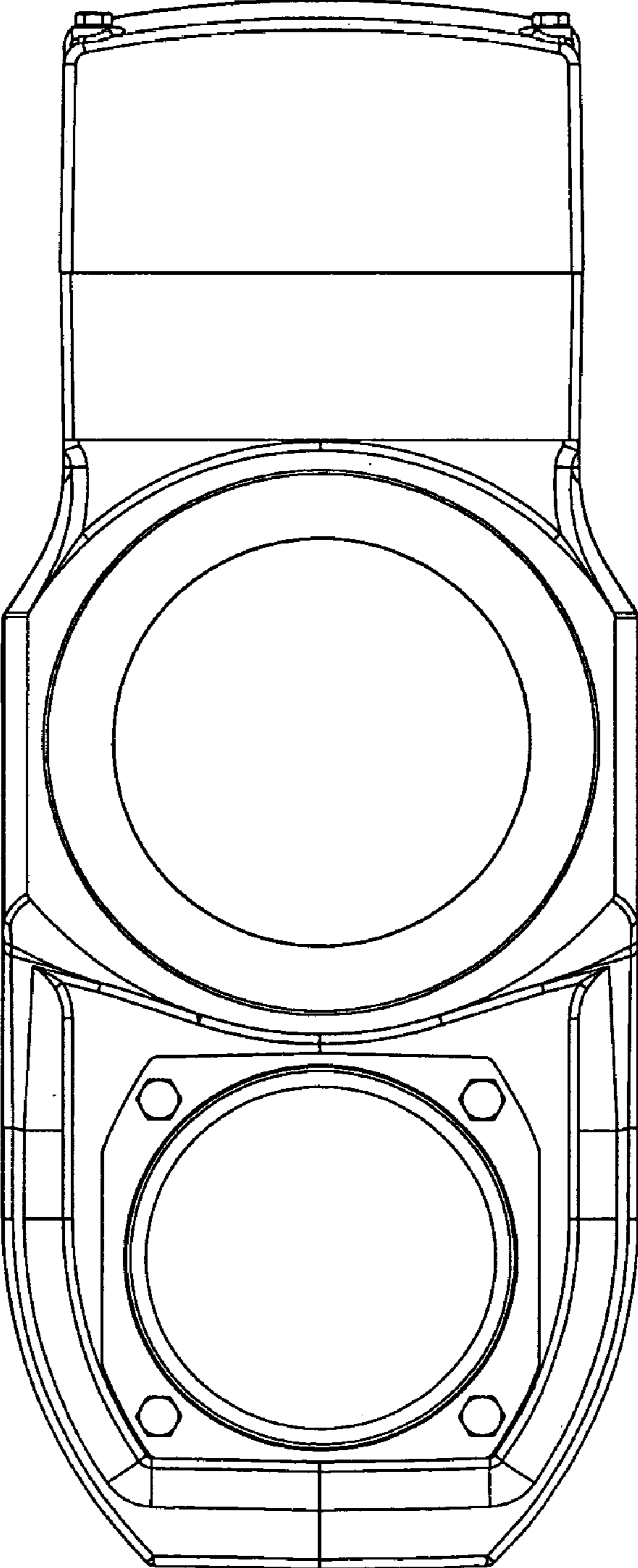


Figure 5

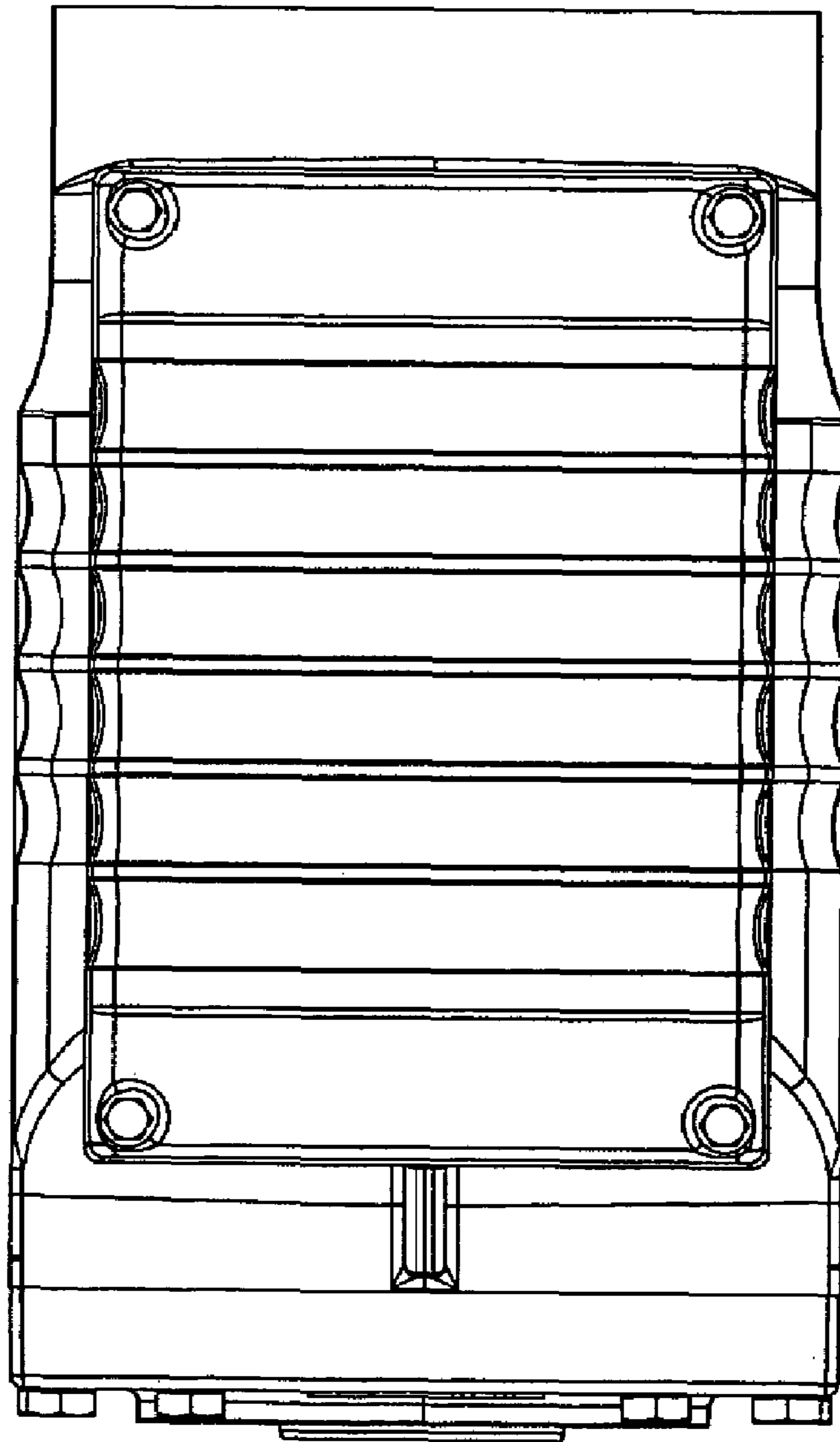


Figure 6

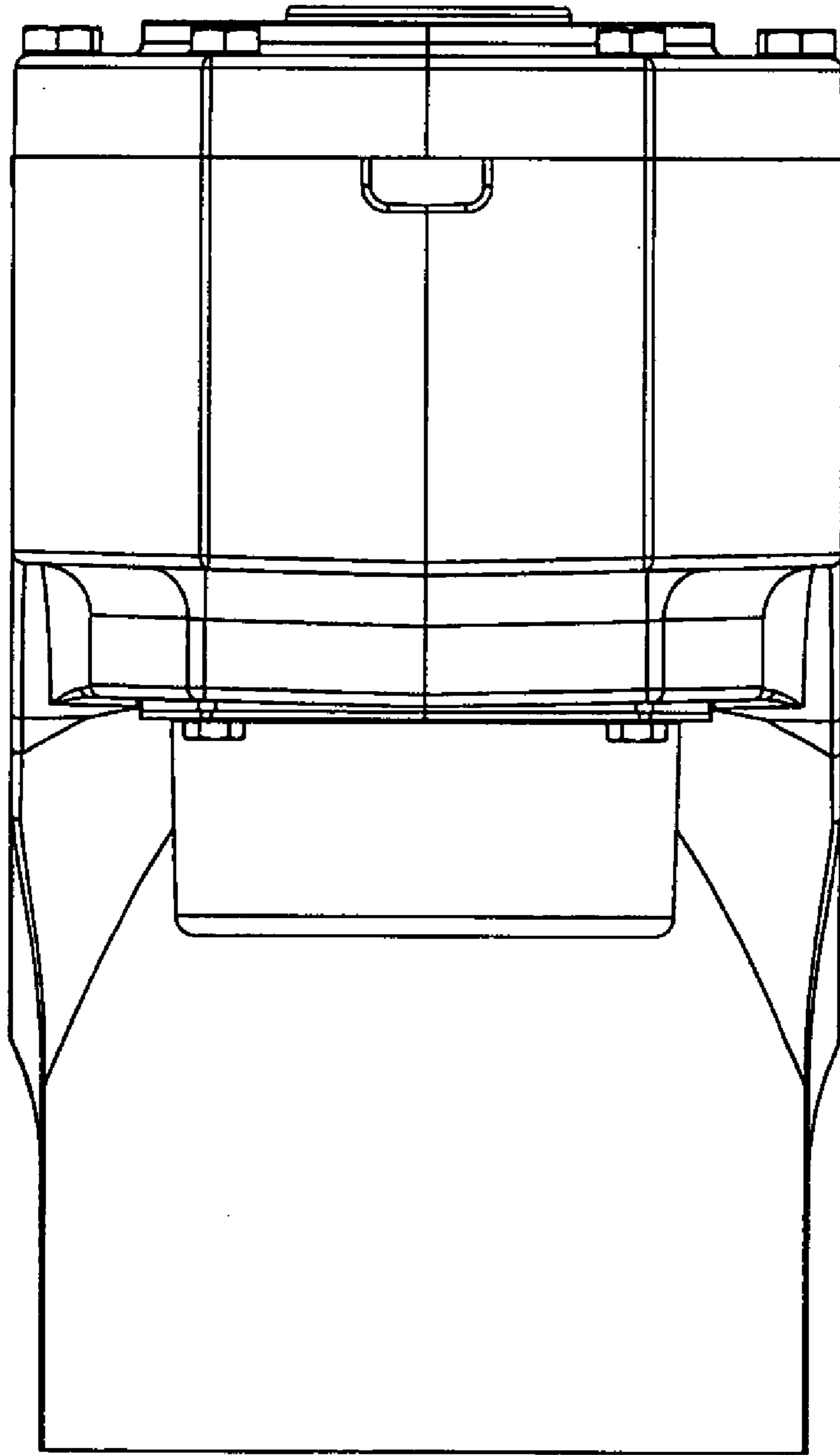


Figure 7