

US00D593933S

(12) **United States Design Patent**
Sueishi

(10) **Patent No.:** **US D593,933 S**

(45) **Date of Patent:** **** Jun. 9, 2009**

(54) **TIRE FOR MOTORCYCLE**

(75) Inventor: **Makoto Sueishi, Itami (JP)**

(73) Assignee: **The Goodyear Tire & Rubber Company, Akron, OH (US)**

(**) Term: **14 Years**

(21) Appl. No.: **29/324,588**

(22) Filed: **Sep. 16, 2008**

(51) **LOC (9) Cl.** **12-15**

(52) **U.S. Cl.** **D12/536; D12/571**

(58) **Field of Classification Search** D12/533–537,
D12/544, 569–579, 510, 512; 152/209.1,
152/209.8–209.13, 209.28, 455
See application file for complete search history.

(56) **References Cited**

U.S. PATENT DOCUMENTS

| | | | |
|--------------|---------|-----------------------|---------|
| D254,665 S * | 4/1980 | Sato et al. | D12/579 |
| D268,662 S * | 4/1983 | Shirashoji | D12/571 |
| D284,460 S * | 7/1986 | Kojima et al. | D12/571 |
| D289,508 S * | 4/1987 | Fukuchi | D12/571 |
| D292,077 S | 9/1987 | Funahara | D12/140 |
| D301,851 S | 6/1989 | Tomoda | D12/140 |
| D332,766 S | 1/1993 | Marui | D12/136 |
| D332,931 S * | 2/1993 | Marui | D12/536 |
| D391,532 S * | 3/1998 | Lo | D12/571 |
| D392,225 S | 3/1998 | Lo | D12/140 |
| D415,077 S * | 10/1999 | Tsai-Jen | D12/536 |
| D419,497 S | 1/2000 | Toyozawa | D12/140 |
| D419,925 S | 2/2000 | Toyozawa | D12/140 |
| D422,540 S | 4/2000 | Lo | D12/140 |
| D434,705 S * | 12/2000 | Lo | D12/571 |
| D457,485 S | 5/2002 | Matsumura | D12/571 |
| D466,474 S | 12/2002 | Lo | D12/571 |
| D466,861 S | 12/2002 | Lo | D12/571 |
| D521,925 S | 5/2006 | Matsumura et al. | D12/536 |
| D521,926 S | 5/2006 | Matsumura et al. | D12/536 |

| | | | |
|--------------|---------|---------------|---------|
| D577,656 S * | 9/2008 | Sueishi | D12/536 |
| D579,406 S * | 10/2008 | Sueishi | D12/536 |
| D581,348 S * | 11/2008 | Sueishi | D12/536 |
| D584,678 S * | 1/2009 | Sueishi | D12/536 |
| D585,015 S * | 1/2009 | Sueishi | D12/536 |

* cited by examiner

Primary Examiner—Stacia Cadmus

(74) *Attorney, Agent, or Firm*—Richard B. O’Planick

(57) **CLAIM**

The ornamental design for a tire for motorcycle, as shown and described.

DESCRIPTION

FIG. 1 is a perspective view of a tire for motorcycle showing my new design, it being understood that the pattern repeats uniformly throughout the circumference of the tread;

FIG. 2 is a front elevational view thereof;

FIG. 3 is a right side elevational view thereof; the opposite side elevational view being identical thereto; and

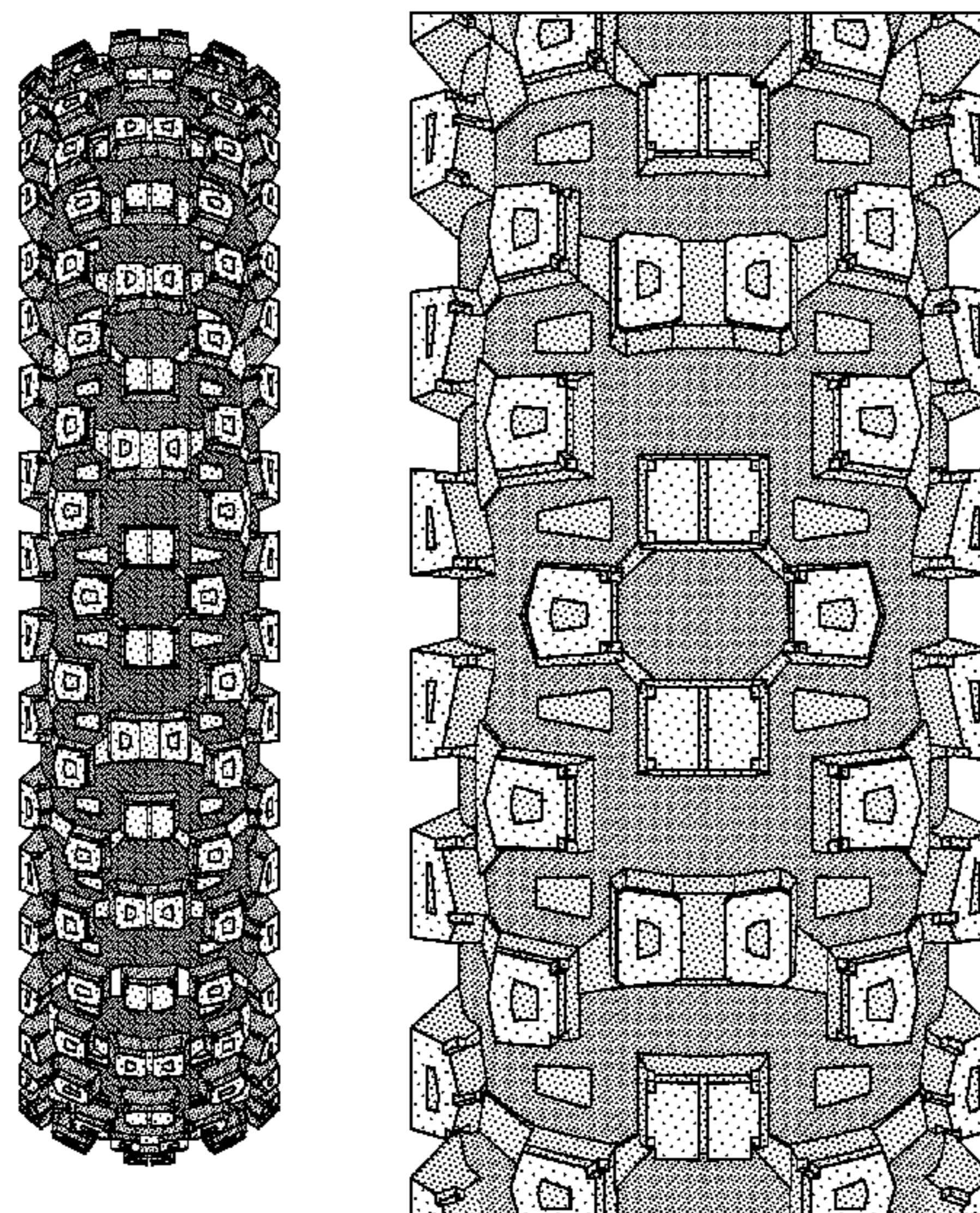
FIG. 4 is an enlarged fragmentary front elevational view thereof;

FIG. 5 is a perspective view of a second embodiment of a tire for motorcycle showing my new design, it being understood that the pattern repeats uniformly throughout the circumference of the tread and that the opposite side perspective view is a mirror image thereof; and,

FIG. 6 is a front elevational view of a second embodiment, it being understood that an enlarged fragmentary view thereof would be substantially identical to that shown in FIG. 4, with the exception of the inclusion of the sidewall in solid lines.

In the drawings, the broken line showing of the sidewall, inner bead and the peripheral boundary between the tire tread and the sidewall in FIGS. 1 through 4 depict environmental subject matter and form no part of the claimed design.

1 Claim, 6 Drawing Sheets



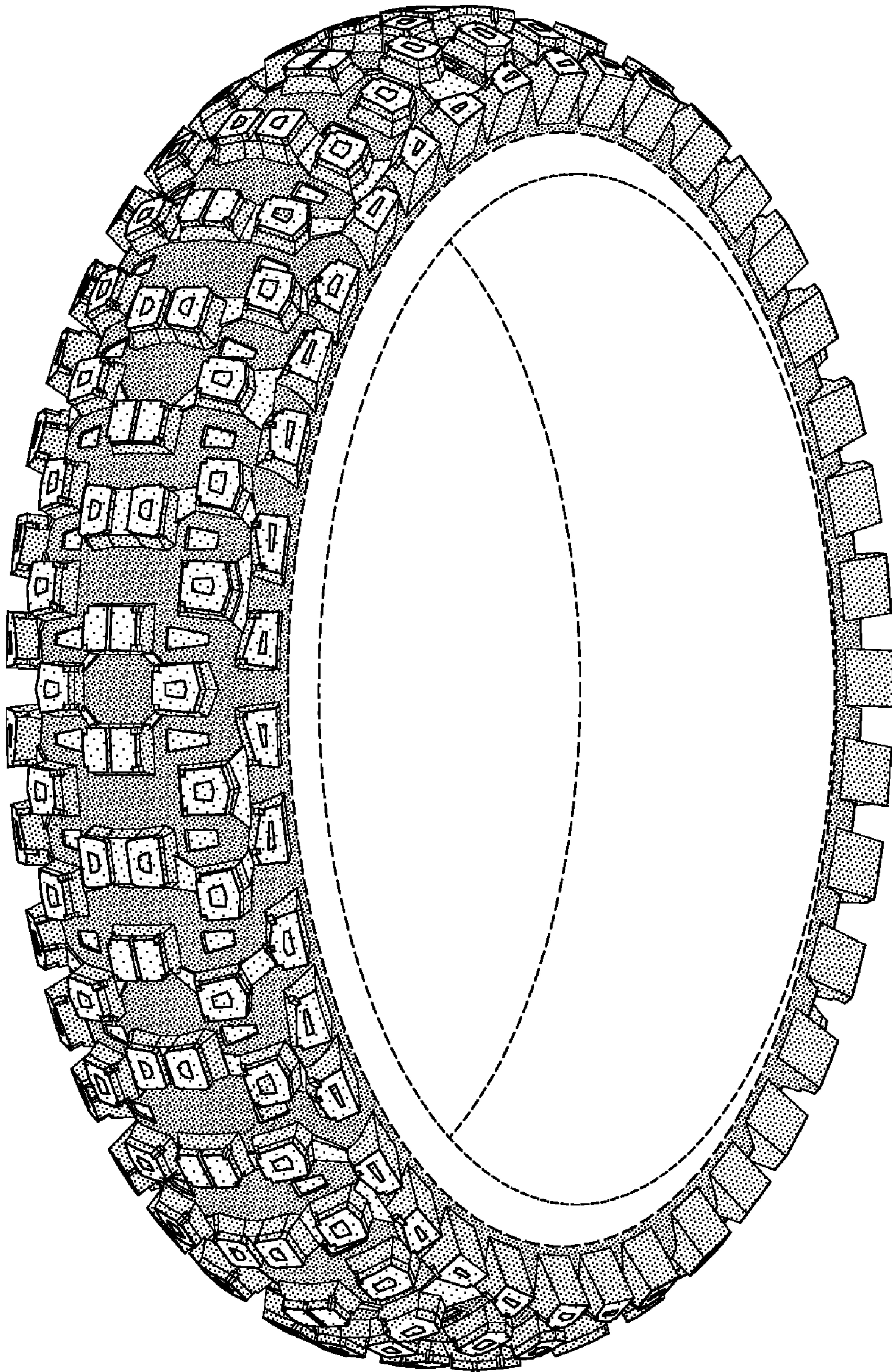


FIG-1

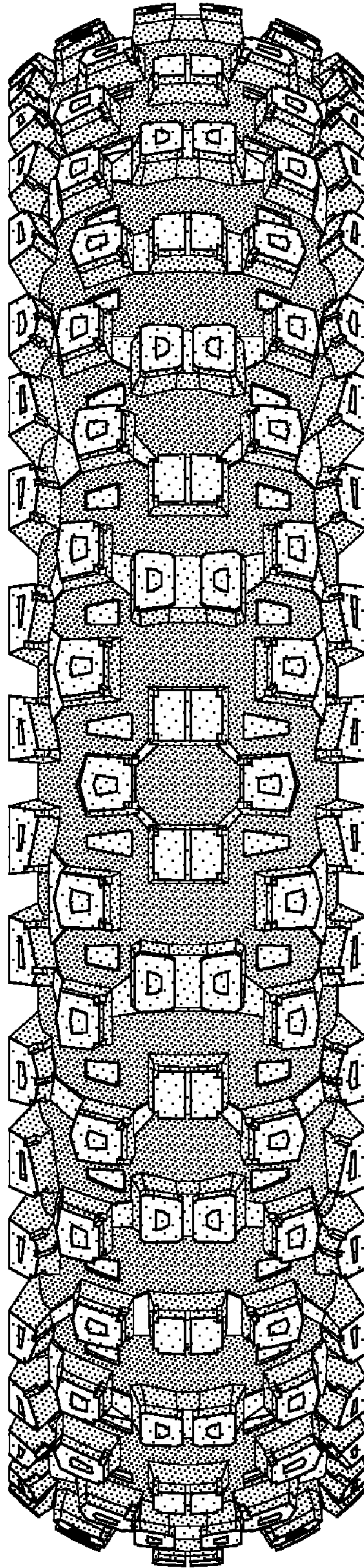


FIG-2

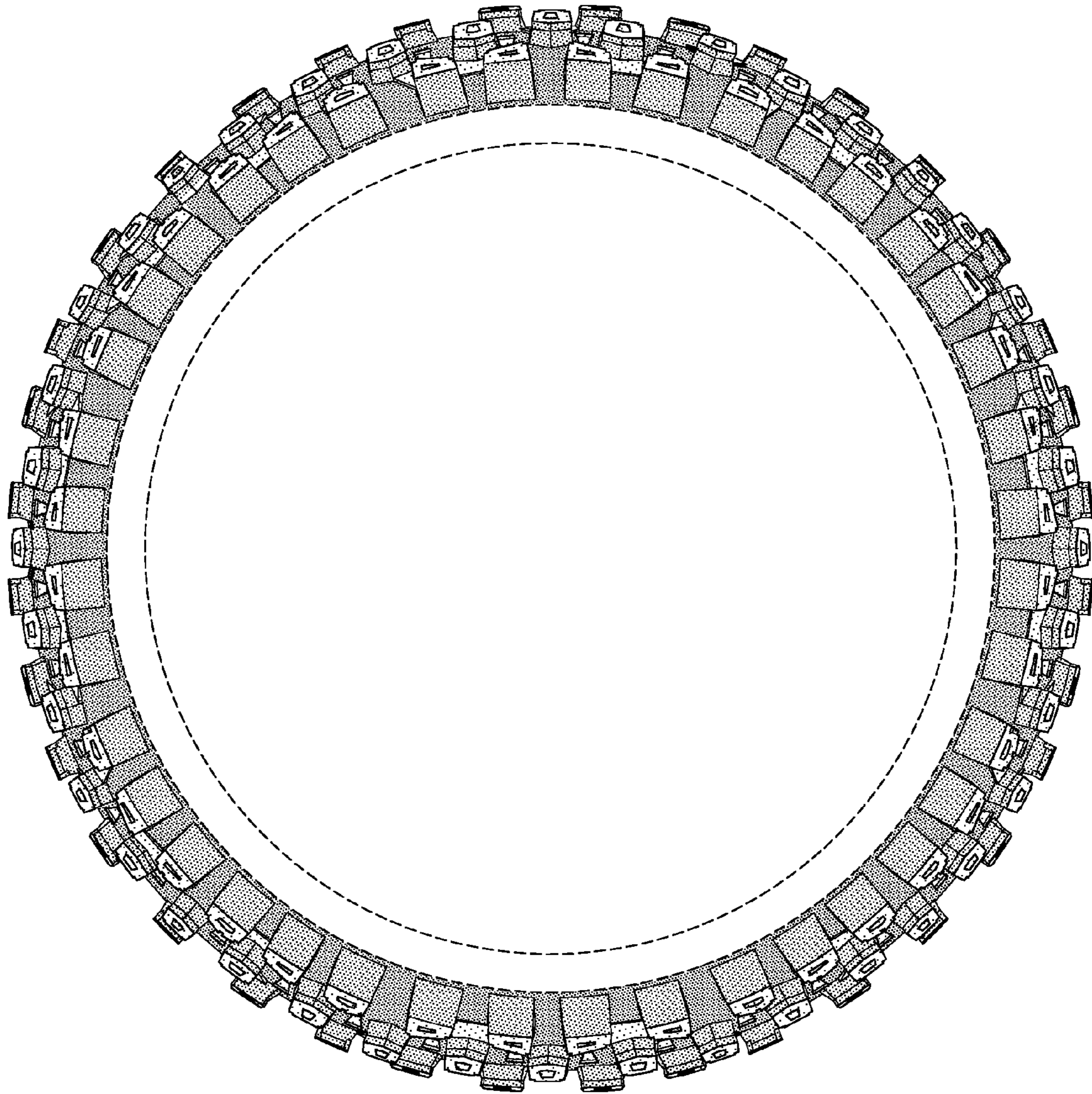


FIG-3

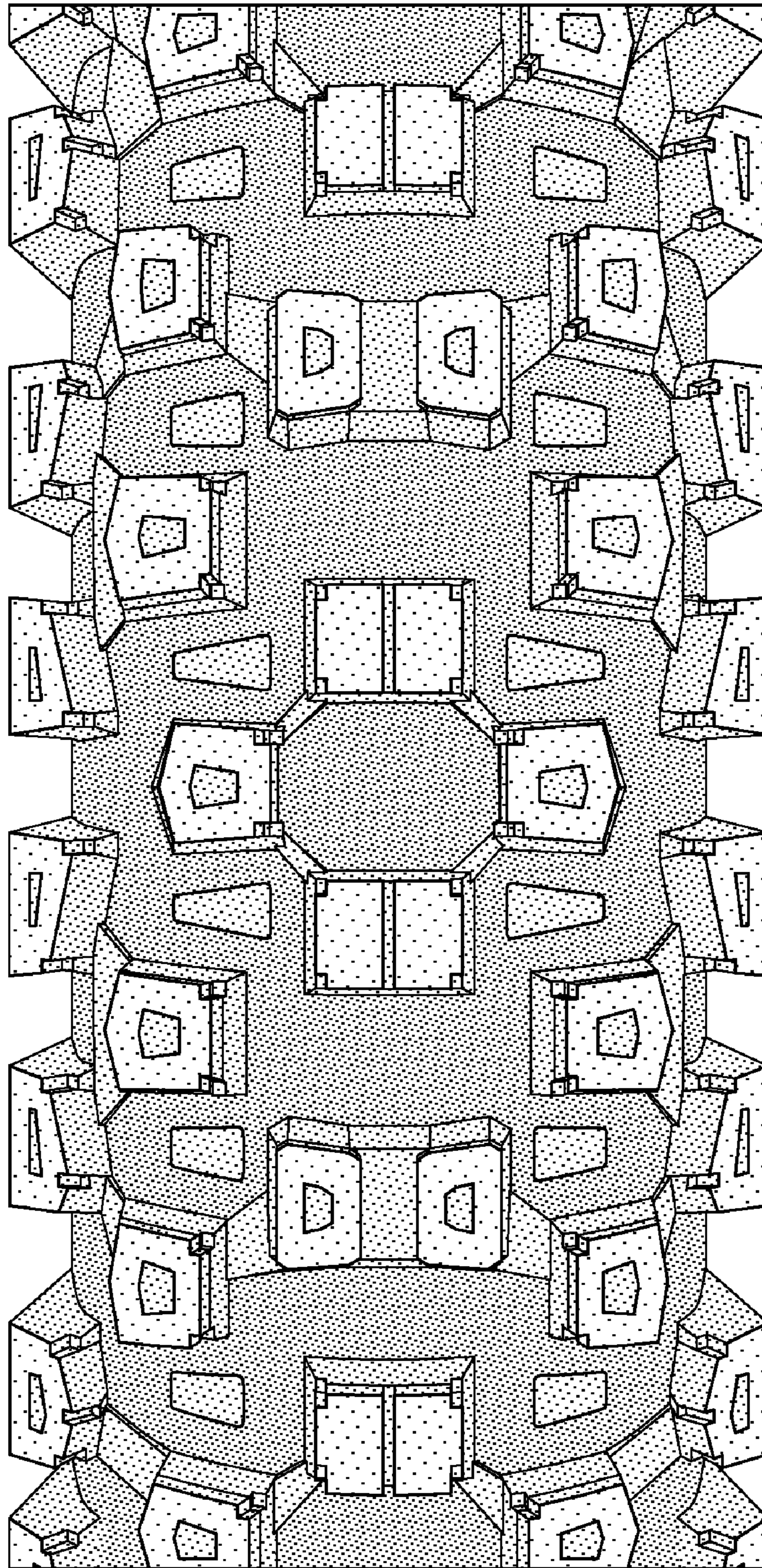


FIG-4

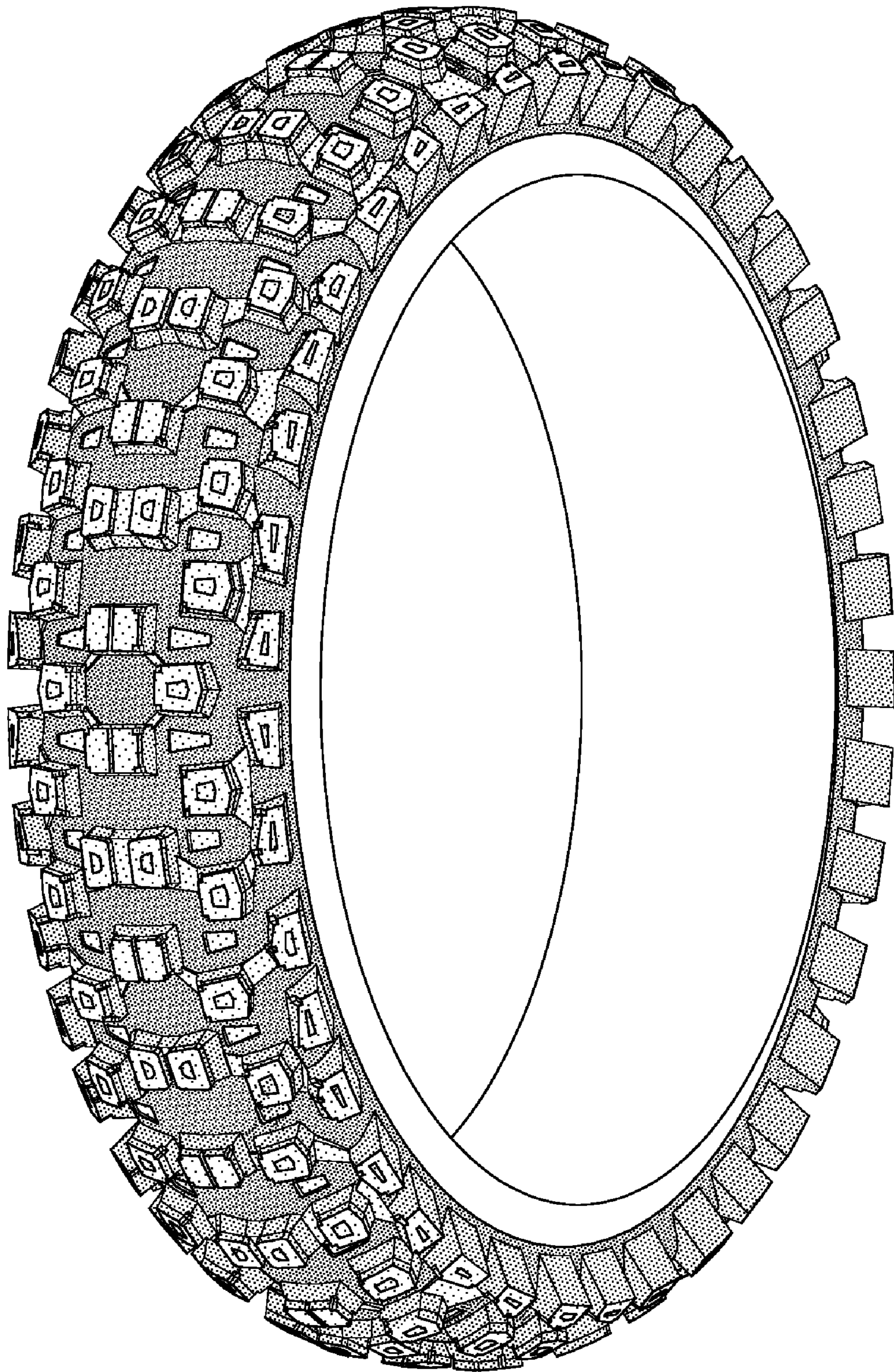


FIG-5

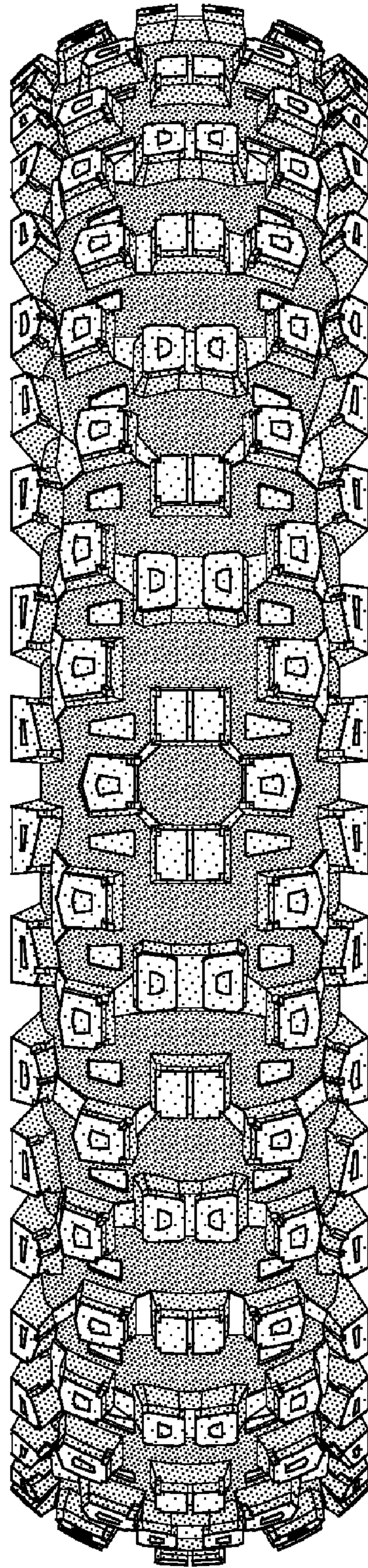


FIG-6