



US00D593930S

(12) **United States Design Patent**
Fossett

(10) **Patent No.:** **US D593,930 S**
(45) **Date of Patent:** **** Jun. 9, 2009**

(54) **CUP HOLDER**

(76) Inventor: **Robert C. Fossett**, 3714 Nassau Ave.
NE., Tacoma, WA (US) 98422

(**) Term: **14 Years**

(21) Appl. No.: **29/276,260**

(22) Filed: **Jan. 19, 2007**

(51) **LOC (9) Cl.** **12-16**

(52) **U.S. Cl.** **D12/420; D7/620**

(58) **Field of Classification Search** D7/619.1-625,
D7/701-708; D12/420; 248/311.2, 312,
248/332, 312.1, 240.1, 286.1, 316.4; 224/926,
224/281, 552, 553; 297/188.17, 188.01
See application file for complete search history.

(56) **References Cited**

U.S. PATENT DOCUMENTS

4,738,423 A	4/1988	DiFilippo	
4,792,174 A	12/1988	Shioda	
4,826,058 A	5/1989	Nakayama	
4,892,281 A	1/1990	DiFilippo	
4,953,771 A	9/1990	Fischer	
4,955,571 A	9/1990	Lorence	
5,072,989 A	12/1991	Spykerman	
5,087,008 A	2/1992	Miller	
5,171,061 A	12/1992	Marcusen	
5,195,711 A	3/1993	Miller	
5,232,262 A	8/1993	Tseng	
5,297,709 A	3/1994	Dykstra	
5,297,767 A *	3/1994	Miller et al.	248/311.2
5,427,447 A	6/1995	Satoh	
5,445,350 A	8/1995	Rigsby	
5,673,891 A	10/1997	Fujihara	
5,692,658 A	12/1997	Fischer	
5,692,718 A	12/1997	Bieck	
5,944,240 A	8/1999	Honma	

6,036,152 A *	3/2000	Hiscox et al.	248/311.2
6,105,917 A	8/2000	Yabuya	
6,253,975 B1	7/2001	Ichioka	
6,464,187 B1 *	10/2002	Bieck et al.	248/311.2
6,575,542 B2	6/2003	Shimajiri	
6,685,152 B2 *	2/2004	Shirase et al.	248/311.2
6,695,271 B2	2/2004	Bieck et al.	
6,779,769 B1	8/2004	York	
6,817,584 B2	11/2004	Ogura	
2005/0194506 A1	9/2005	Lang	
2006/0027617 A1 *	2/2006	Kogami et al.	224/926

* cited by examiner

Primary Examiner—Terry A Wallace

(74) *Attorney, Agent, or Firm*—Christensen O'Connor
Johnson Kindness PLLC

(57) **CLAIM**

The ornamental design for a cup holder, as shown and described.

DESCRIPTION

FIG. 1 is an isometric view of the cup holder having an oval shaped bezel viewed from the front right thereof;

FIG. 2 is a plan view of the cup holder;

FIG. 3 is a bottom view of the cup holder;

FIG. 4 is a front view of the cup holder;

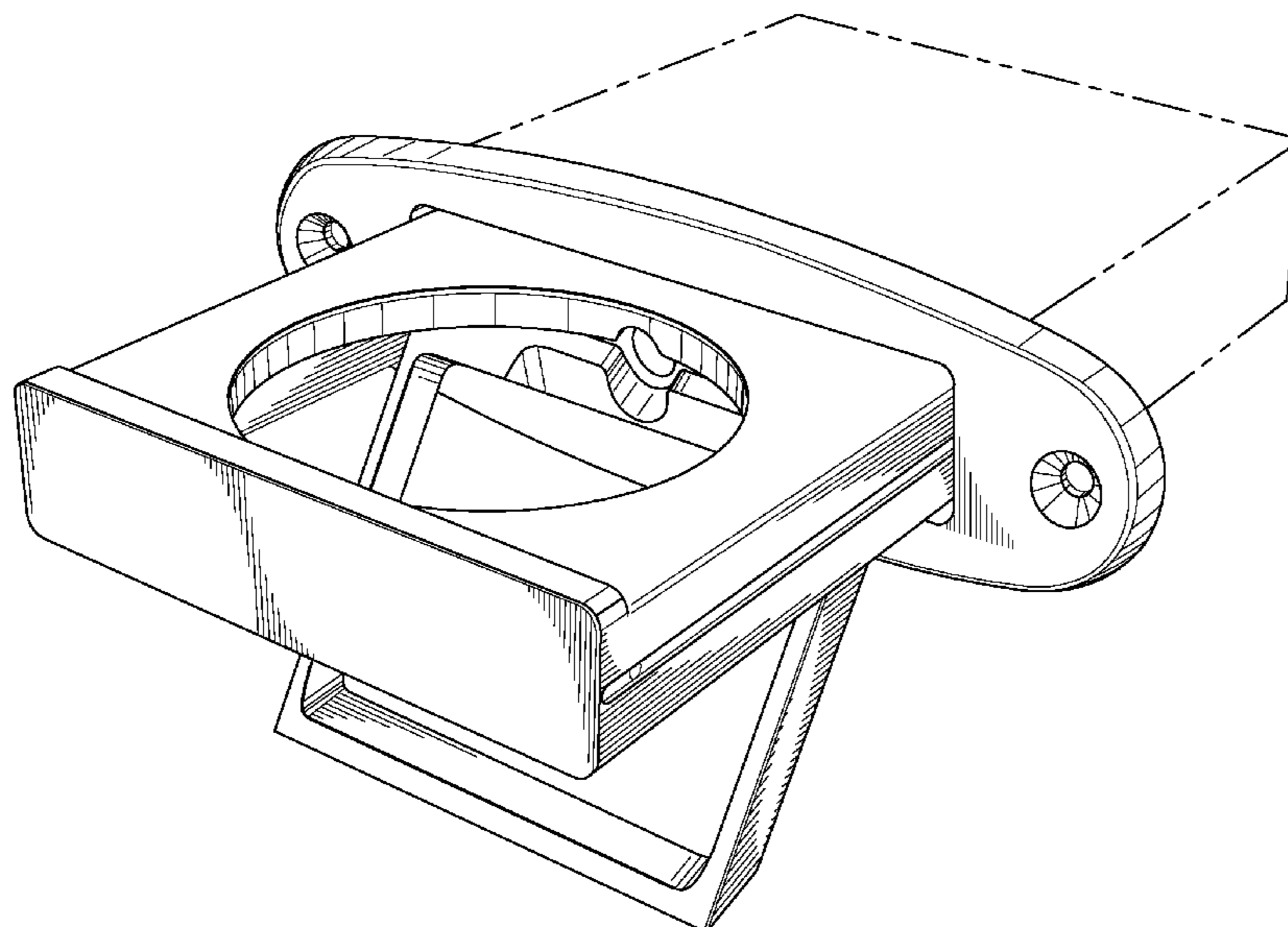
FIG. 5 is a rear view of the cup holder;

FIG. 6 is a side view of the cup holder; and,

FIG. 7 is a view of an alternate embodiment of the cup holder wherein the bezel is rectangular in configuration rather than oval as in the embodiments of FIGS. 1-6.

The broken lines are for illustrative purposes only and form no part of the claimed design.

1 Claim, 5 Drawing Sheets



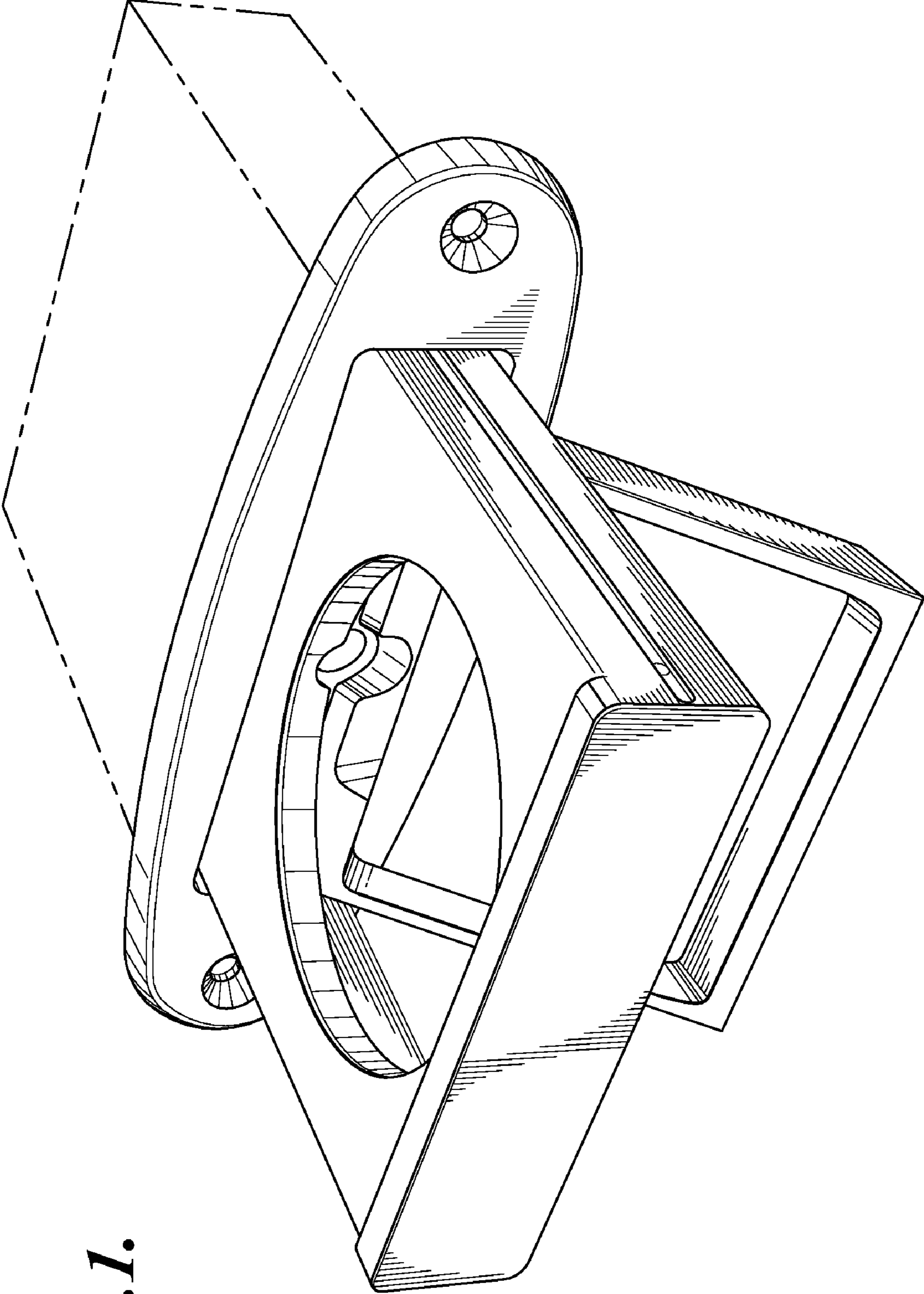


Fig. 1.

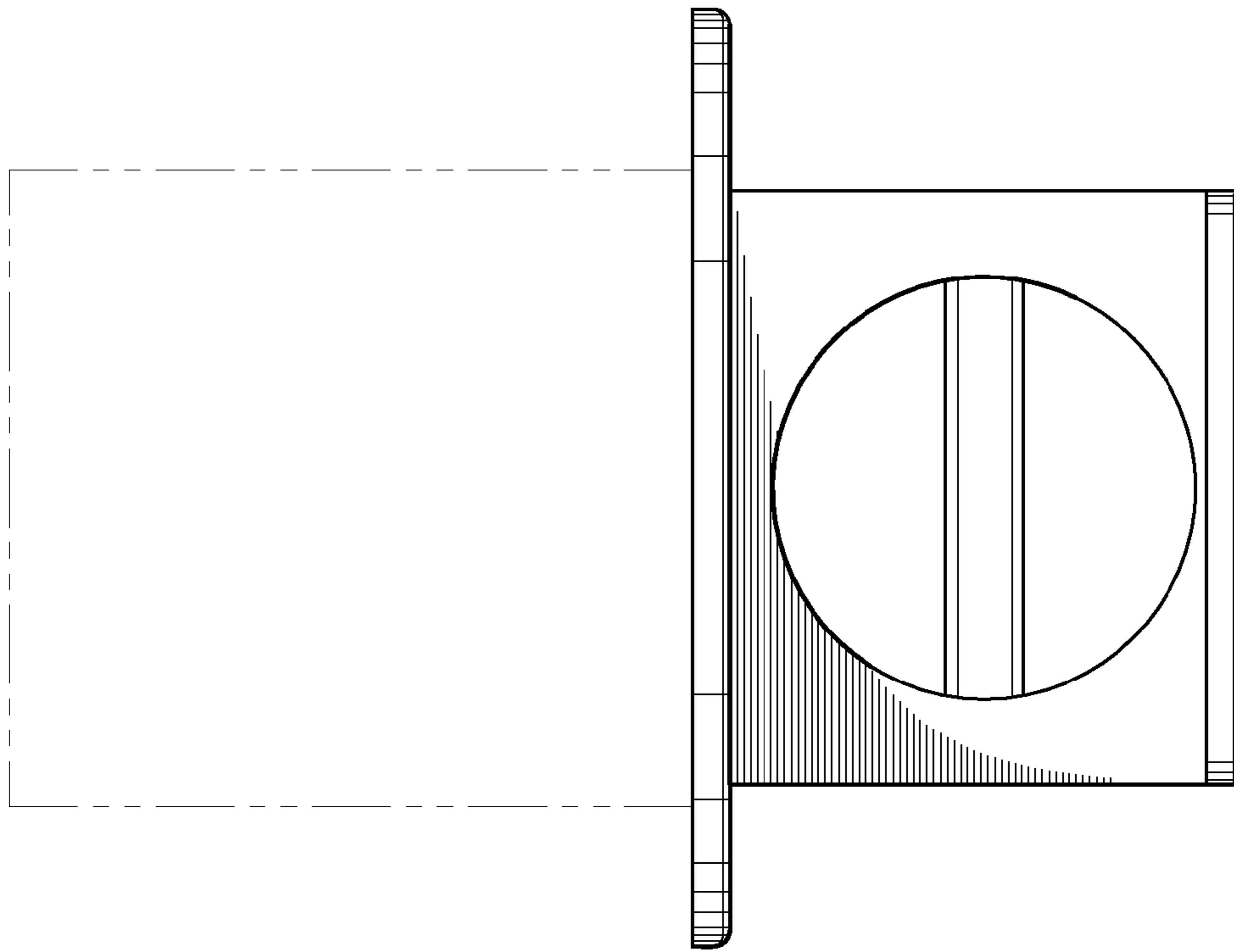


Fig. 2.

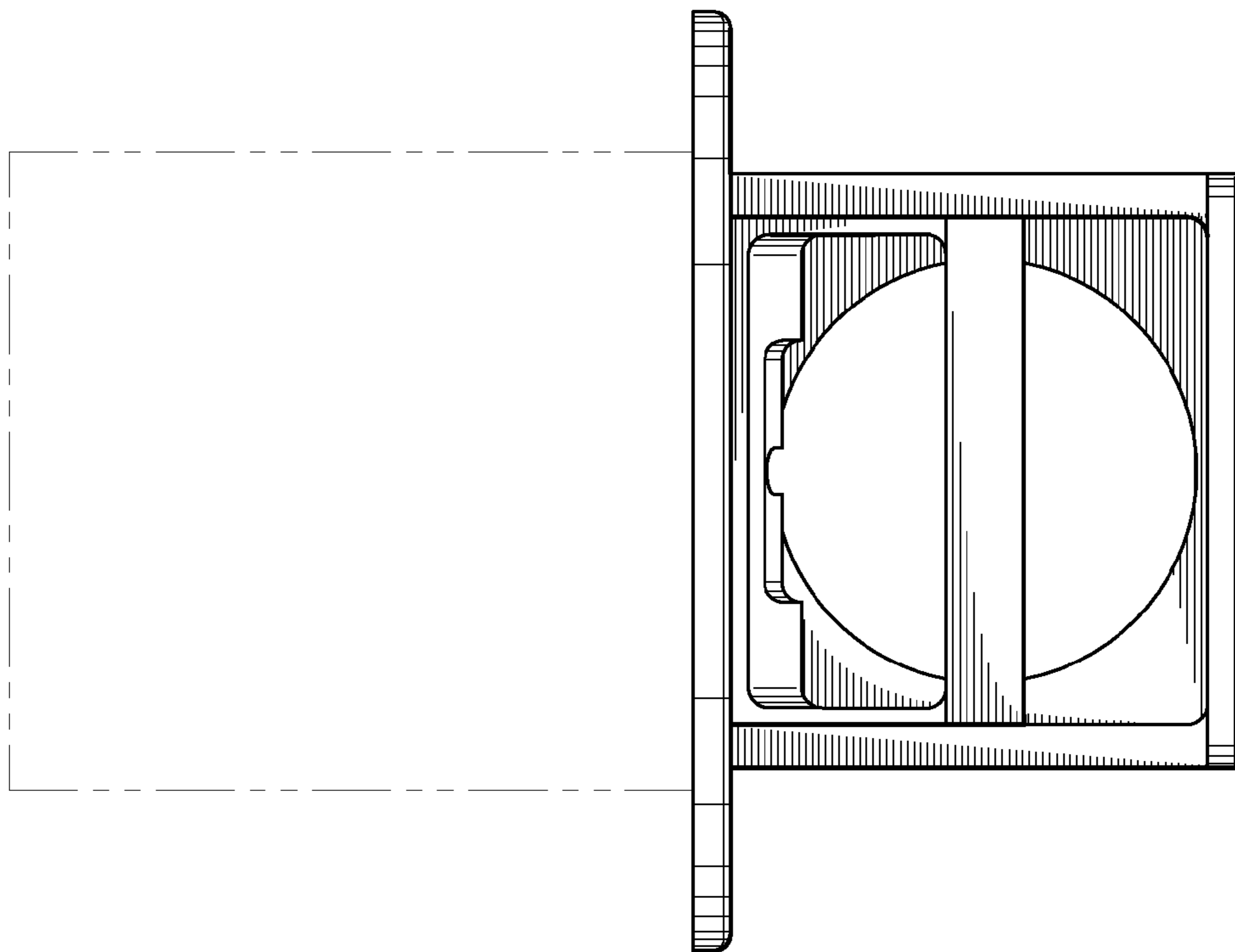


Fig. 3.

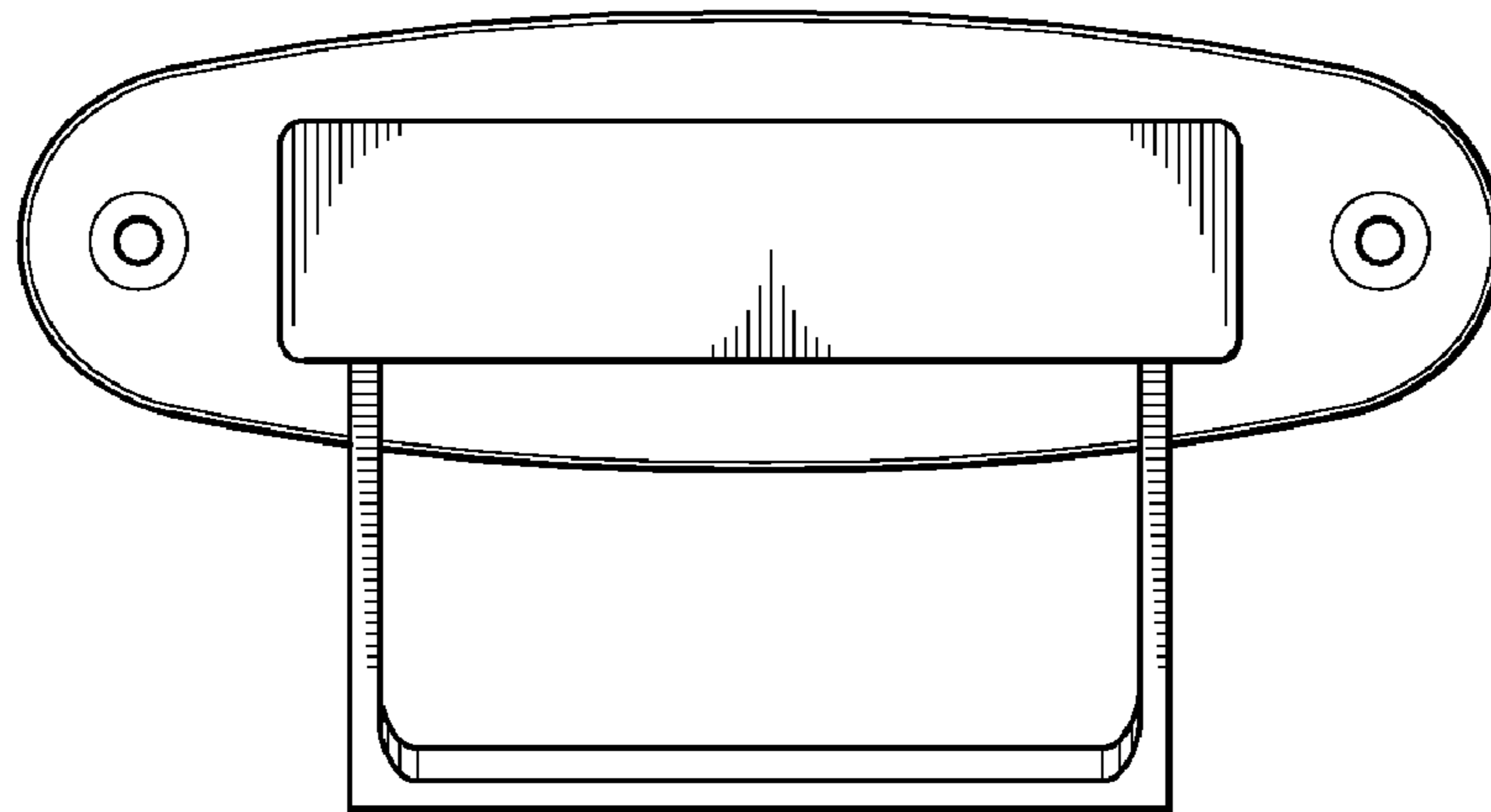


Fig. 4.

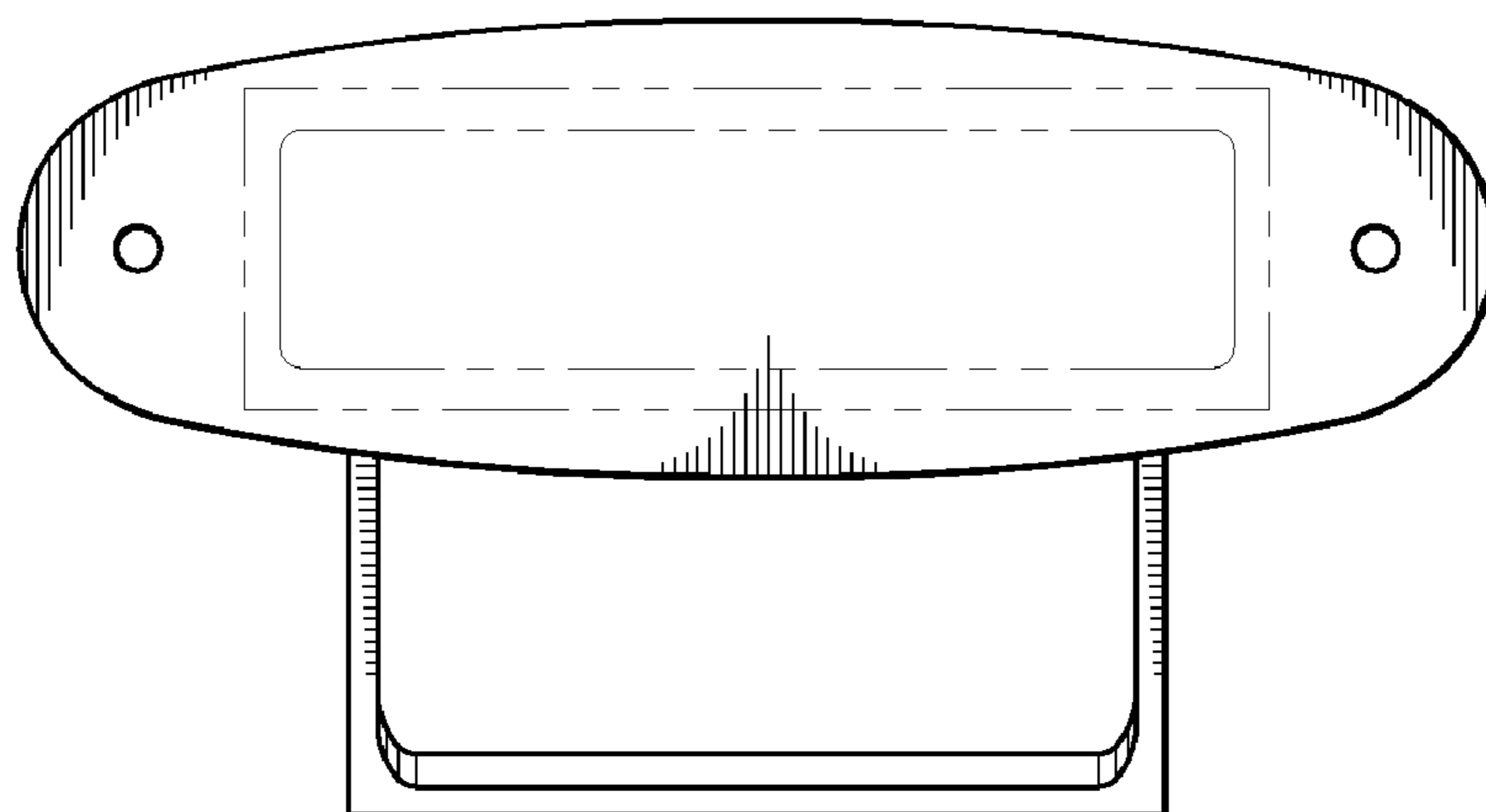


Fig. 5.

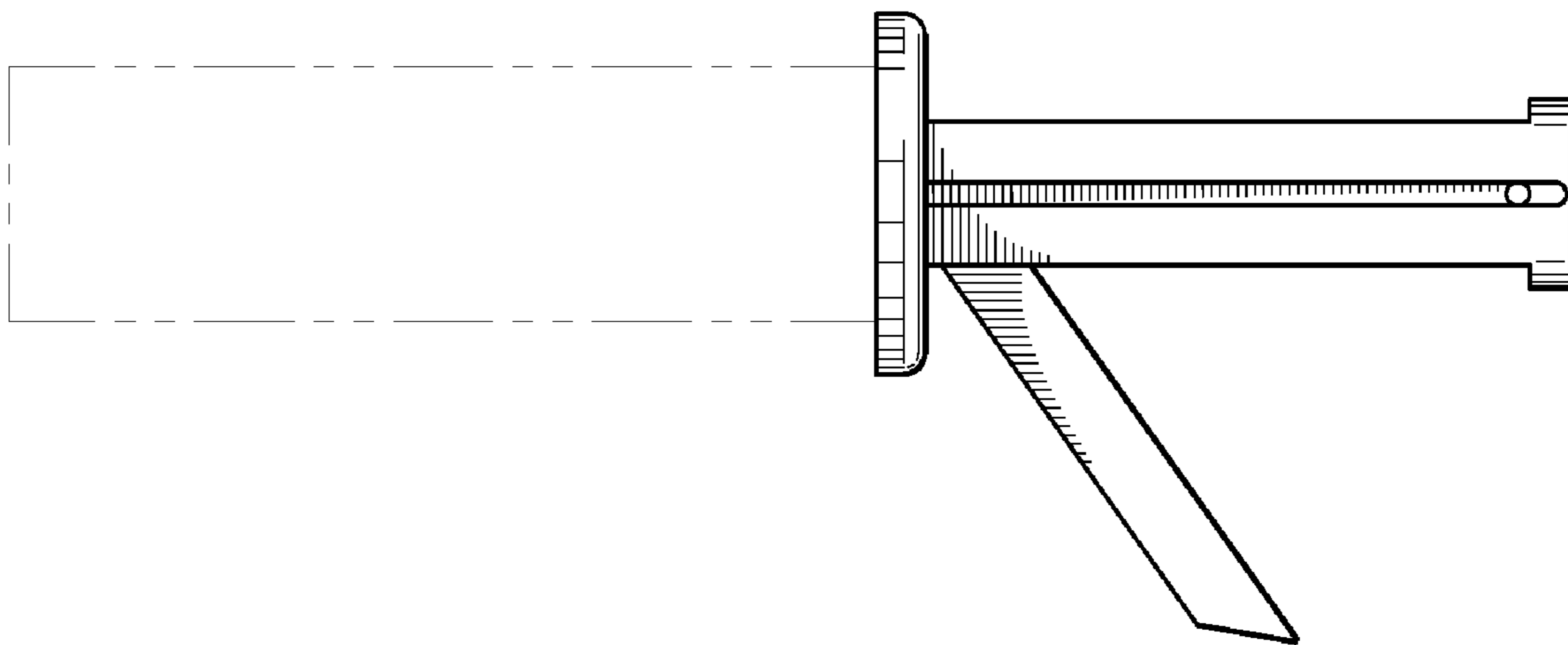


Fig. 6.

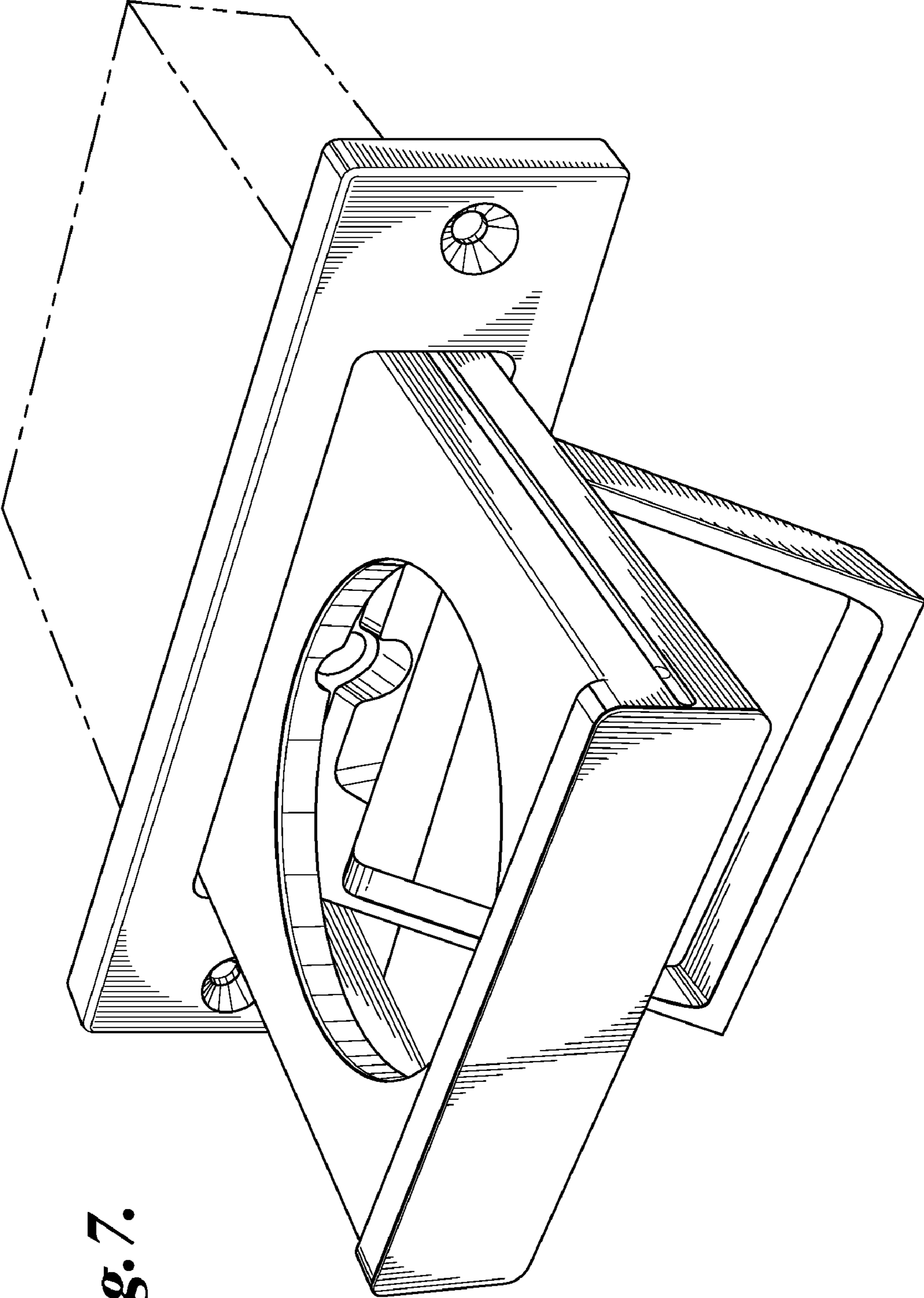


Fig. 7.