

US00D593929S

(12) **United States Design Patent**
Mickan

(10) **Patent No.:** **US D593,929 S**
(45) **Date of Patent:** **** Jun. 9, 2009**

(54) **TRAY-TABLE**

(75) Inventor: **Enrico Mickan**, Munich (DE)

(73) Assignee: **Scope3 Media Technologies GmbH**,
Munich (DE)

(**) Term: **14 Years**

(21) Appl. No.: **29/249,796**

(22) Filed: **Oct. 20, 2006**

(30) **Foreign Application Priority Data**

Apr. 21, 2006 (DE) 4 06 02 365

(51) **LOC (9) Cl.** **12-16**

(52) **U.S. Cl.** **D12/416**

(58) **Field of Classification Search** D12/425,
D12/400, 415-420, 424, 426
See application file for complete search history.

(56) **References Cited**

U.S. PATENT DOCUMENTS

D359,398 S * 6/1995 Jaykus D12/415
D359,862 S * 7/1995 Rousch D6/406.6
D360,183 S * 7/1995 Girandola D12/425
D373,754 S * 9/1996 Pinterpe D12/424

D380,190 S * 6/1997 Slayter D12/425
D380,727 S * 7/1997 Gilstrap D12/425
D380,944 S * 7/1997 Nielsen D7/698
6,511,124 B2 * 1/2003 Combs 297/135
D573,940 S * 7/2008 Heneghan et al. D12/425
2007/0113757 A1 * 5/2007 Lilly 108/25

FOREIGN PATENT DOCUMENTS

DE 202 07 355 U1 8/2002

* cited by examiner

Primary Examiner—Caron Veynar

Assistant Examiner—Katrina A Kile

(74) *Attorney, Agent, or Firm*—Franklin & Associates
International LLC; Matthew F Lambrinos

(57) **CLAIM**

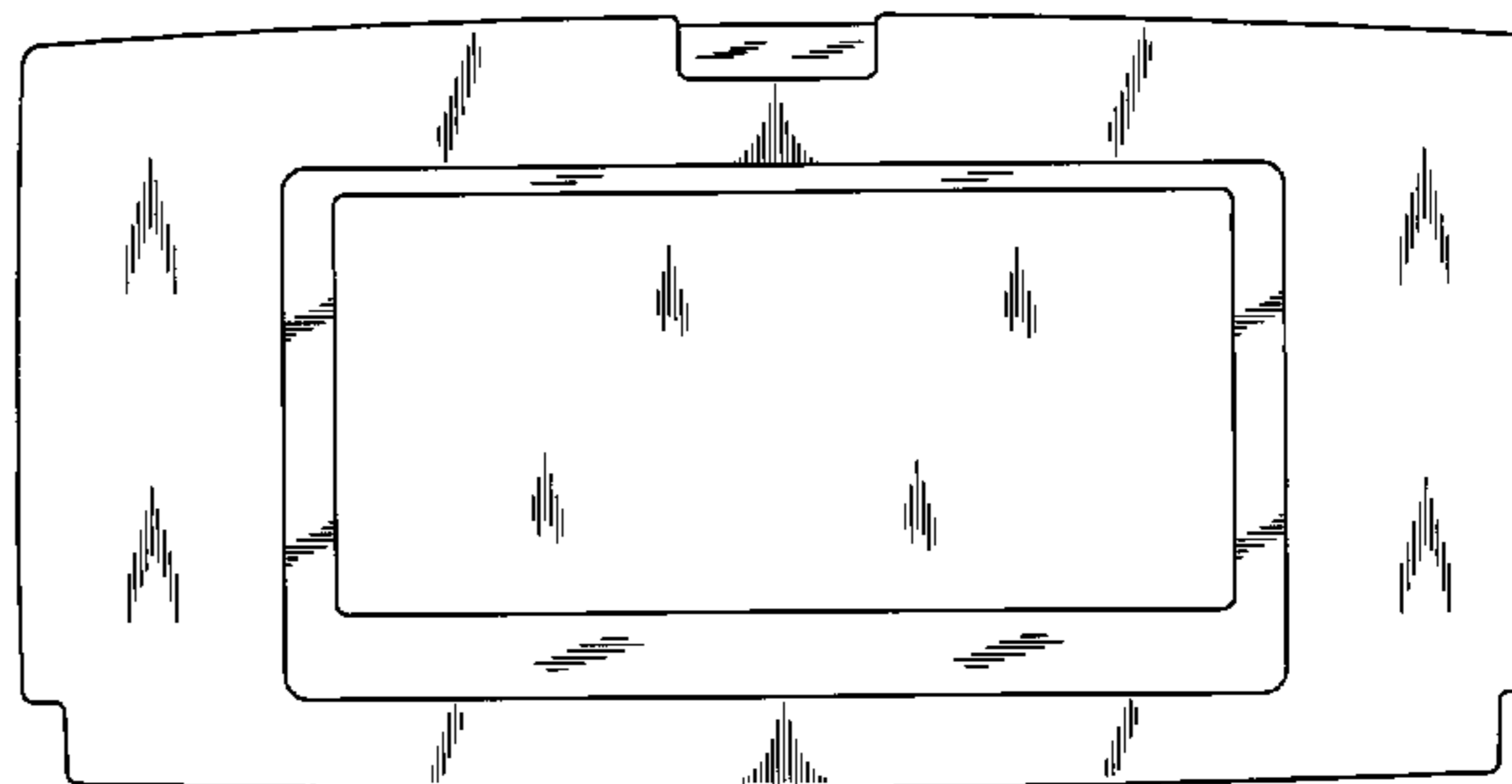
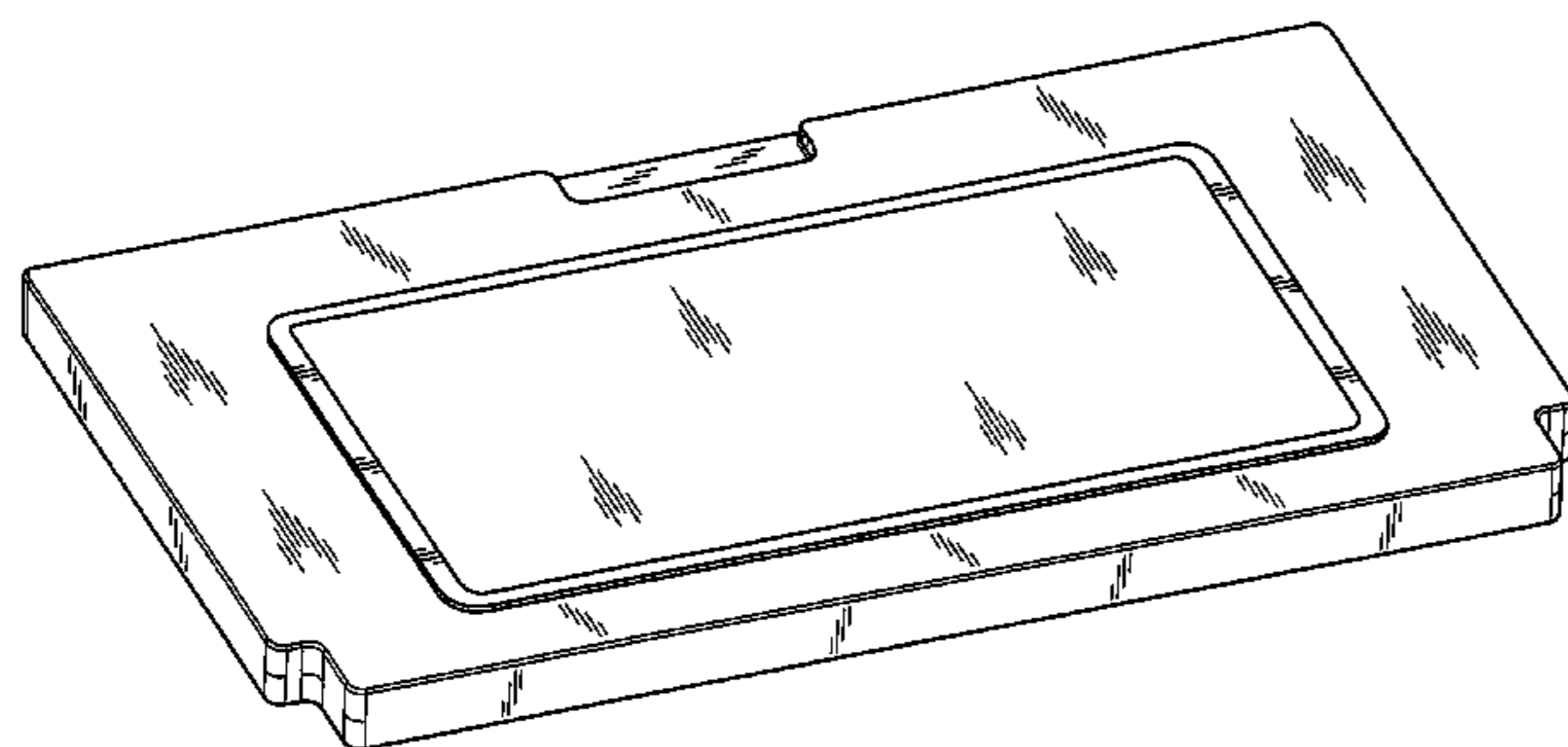
The ornamental design for a tray-table, as shown and described.

DESCRIPTION

The tray-table is used for attachment on the back of passengers' seats in transportation means, such as planes, trains or busses.

FIG. 1 is a top perspective view showing my new design; and, FIG. 2 is a top plan view.

1 Claim, 2 Drawing Sheets



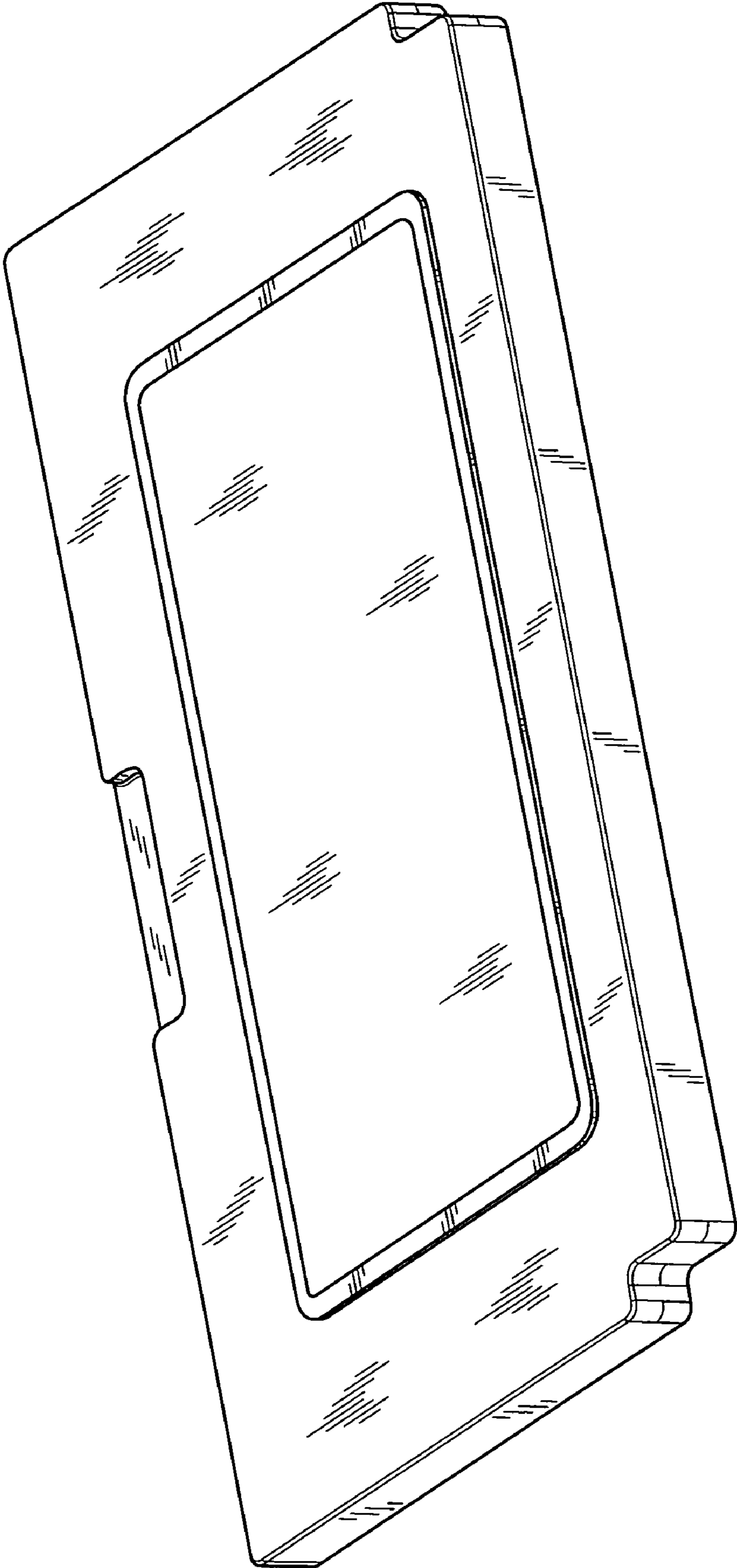


FIG. 1

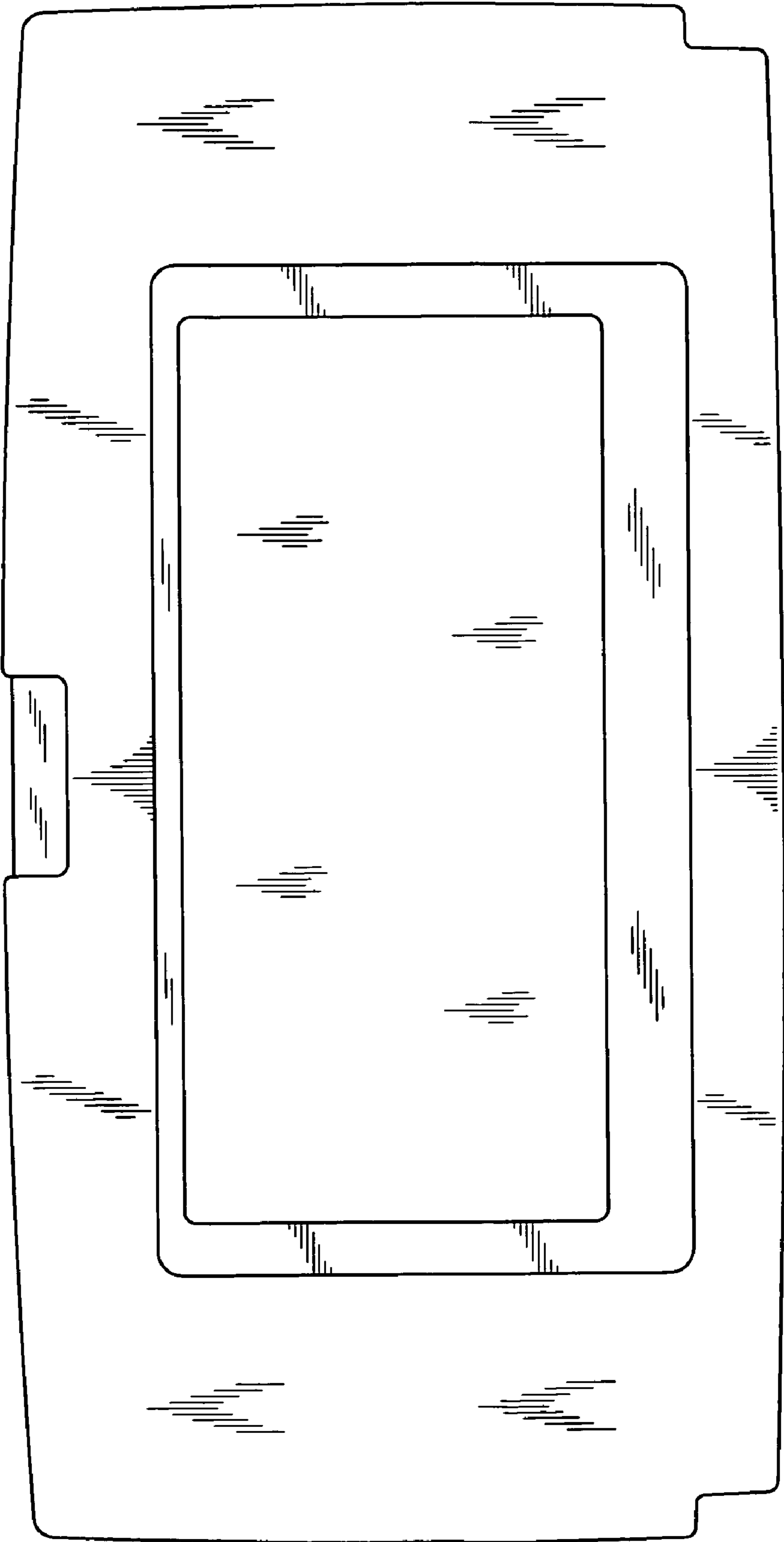


FIG. 2