

US00D593927S

(12) **United States Design Patent**  
**Walton et al.**

(10) **Patent No.:** **US D593,927 S**  
(45) **Date of Patent:** **\*\* Jun. 9, 2009**

(54) **FOLDABLE UTILITY CART**

(76) Inventors: **Ronald Walton**, 6636 Kenny La., House Springs, MO (US) 63051; **Mark Monia**, 3495 Summerlyn Dr., St. Louis, MO (US) 63129

(\*\*) Term: **14 Years**

(21) Appl. No.: **29/307,103**

(22) Filed: **Mar. 31, 2008**

(51) **LOC (9) Cl.** ..... **12-11**

(52) **U.S. Cl.** ..... **D12/406**

(58) **Field of Classification Search** ..... D12/101, D12/406-408, 100, 102, 106, 412, 414.1, D12/93, 105; 296/181, 190, 10, 57.1, 61, 296/183, 185, 37.1, 37.5, 37.6; 280/63, 401, 280/47.26, 400, 475, 482, 656, 763.1, 491.1, 280/789, 47.33, 462, 651, 202, 204, 639, 280/645; 414/537, 462; 224/512-530, 403, 224/405, 331, 320, 335; D34/12, 17-19; D15/27

See application file for complete search history.

(56) **References Cited**

**U.S. PATENT DOCUMENTS**

D417,172 S *	11/1999	Smith et al.	.....	D12/101
D418,451 S *	1/2000	Konecheck	.....	D12/101
D459,287 S *	6/2002	Beard et al.	.....	D12/406
D574,755 S *	8/2008	Thurm	.....	D12/101
7,452,000 B2 *	11/2008	Winter et al.	.....	280/656
7,475,901 B2 *	1/2009	Winter et al.	.....	280/656

\* cited by examiner

*Primary Examiner*—Robin V Webster

*Assistant Examiner*—Linda Brooks

(74) *Attorney, Agent, or Firm*—Kevin L. Klug; David W. McGuire

(57) **CLAIM**

The ornamental design for a foldable utility cart, as shown and described.

**DESCRIPTION**

FIG. 1 is a front top perspective view of a foldable utility cart in a non-folded position.

FIG. 2 is a front bottom perspective view thereof.

FIG. 3 is a front view thereof.

FIG. 4 is a rear view thereof.

FIG. 5 is a right side view thereof.

FIG. 6 is a left side view thereof.

FIG. 7 is a top plan view thereof.

FIG. 8 is a bottom plan view thereof.

FIG. 9 is a front top perspective view of a foldable utility cart in a folded position.

FIG. 10 is a front bottom perspective view of FIG. 9.

FIG. 11 is a front view of FIG. 9.

FIG. 12 is a rear view of FIG. 9.

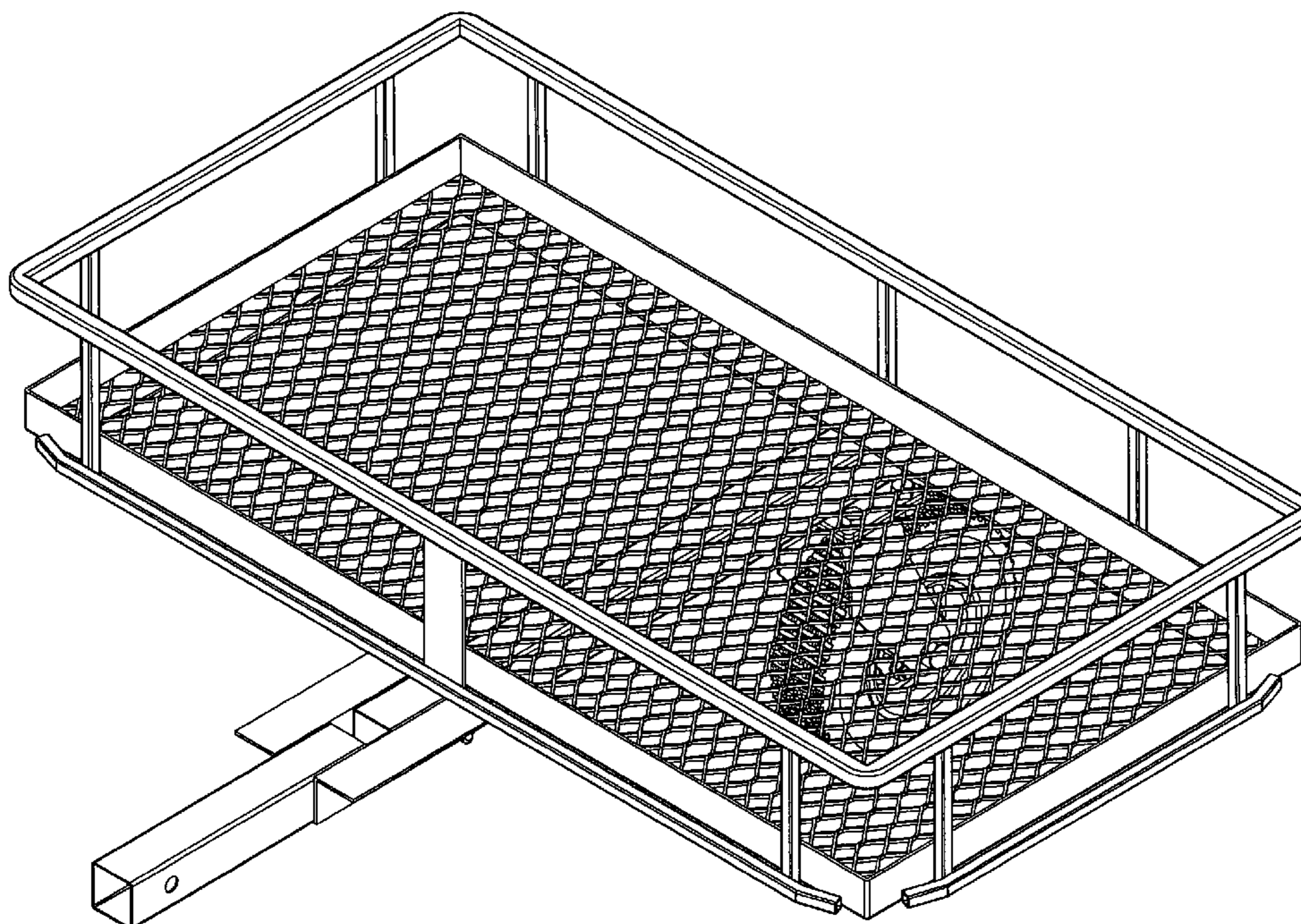
FIG. 13 is a right side view of FIG. 9.

FIG. 14 is a left side view of FIG. 9.

FIG. 15 is a top plan view of FIG. 9; and,

FIG. 16 is a bottom plan view of FIG. 9.

**1 Claim, 16 Drawing Sheets**





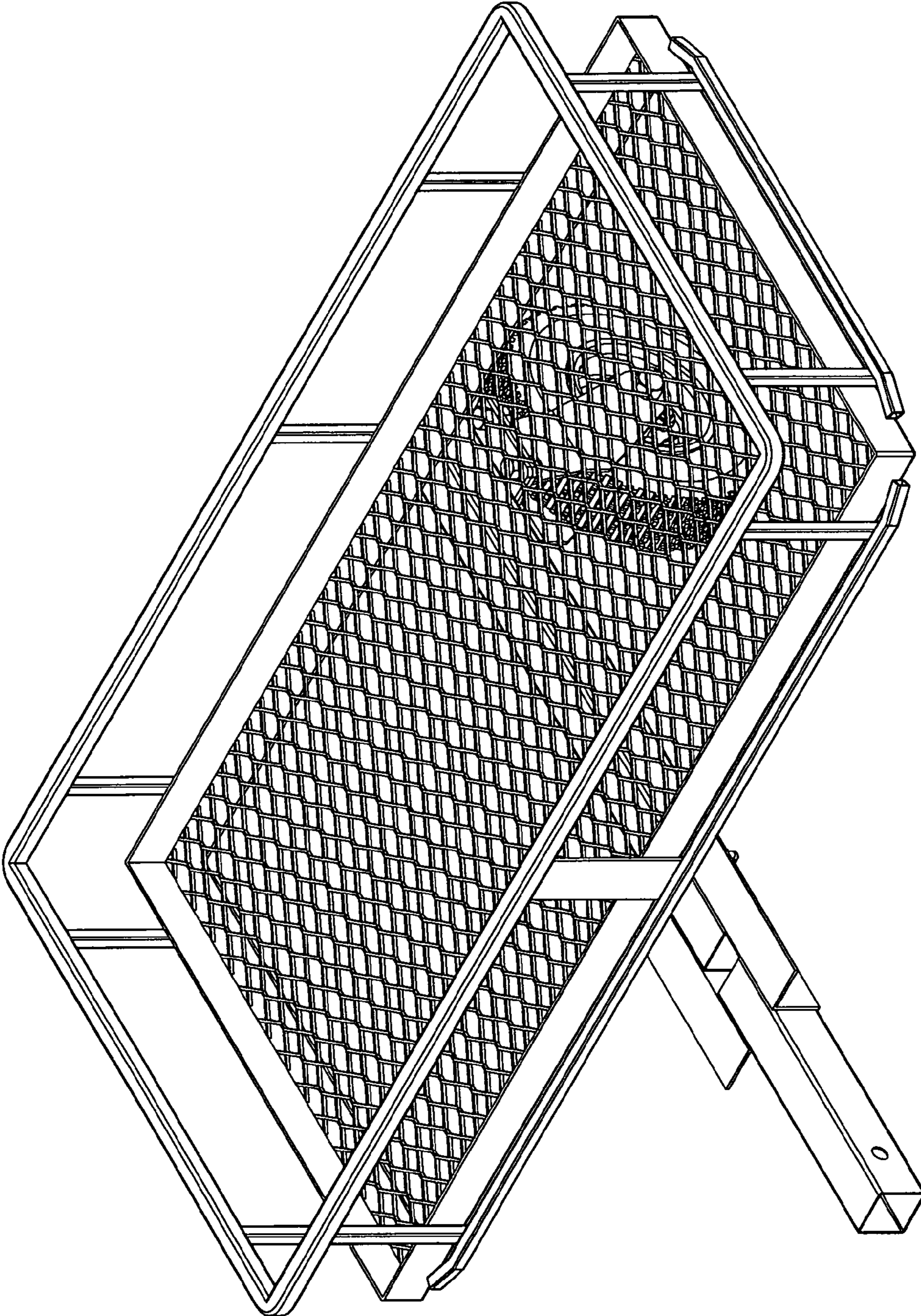


Fig. 1

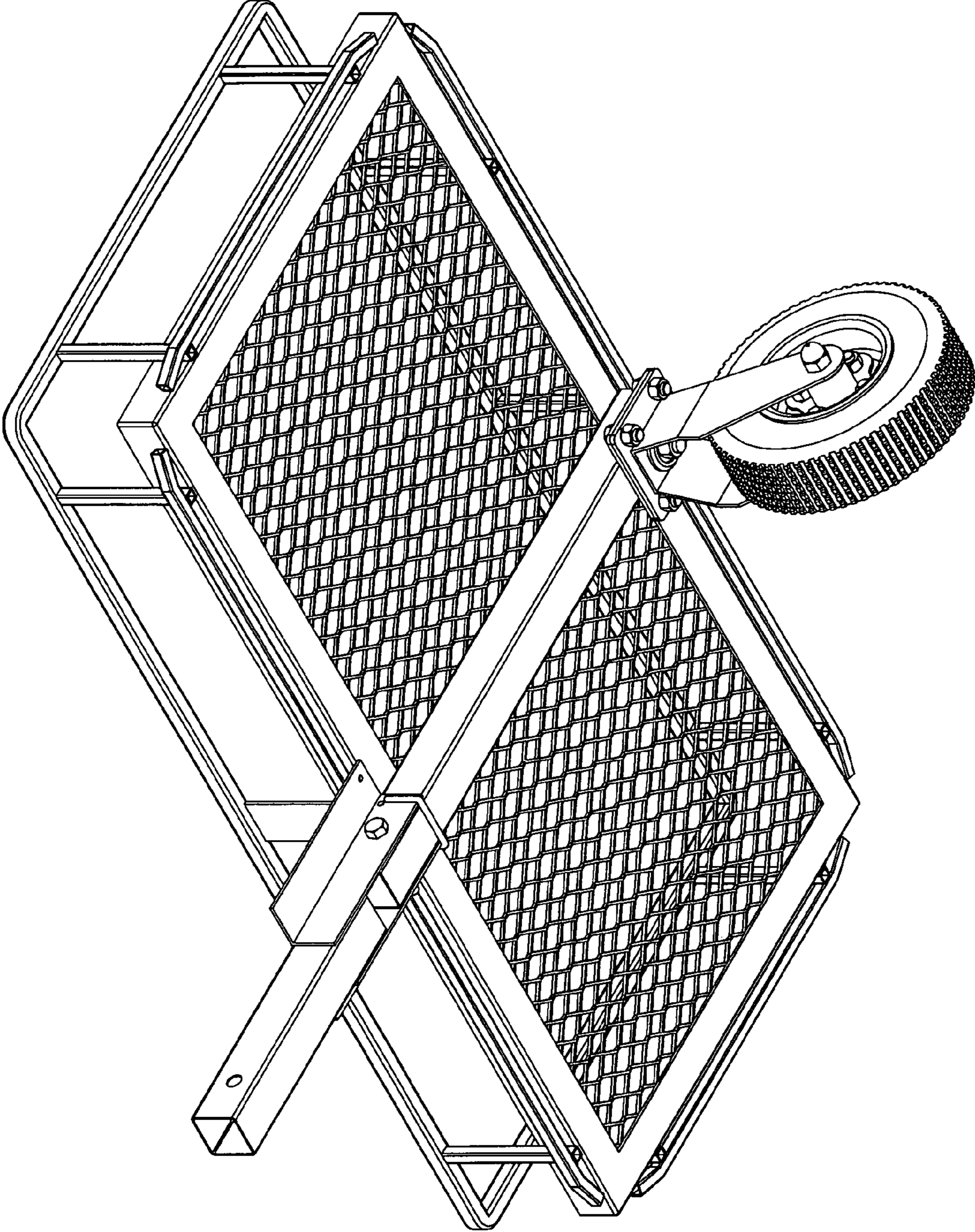


Fig. 2



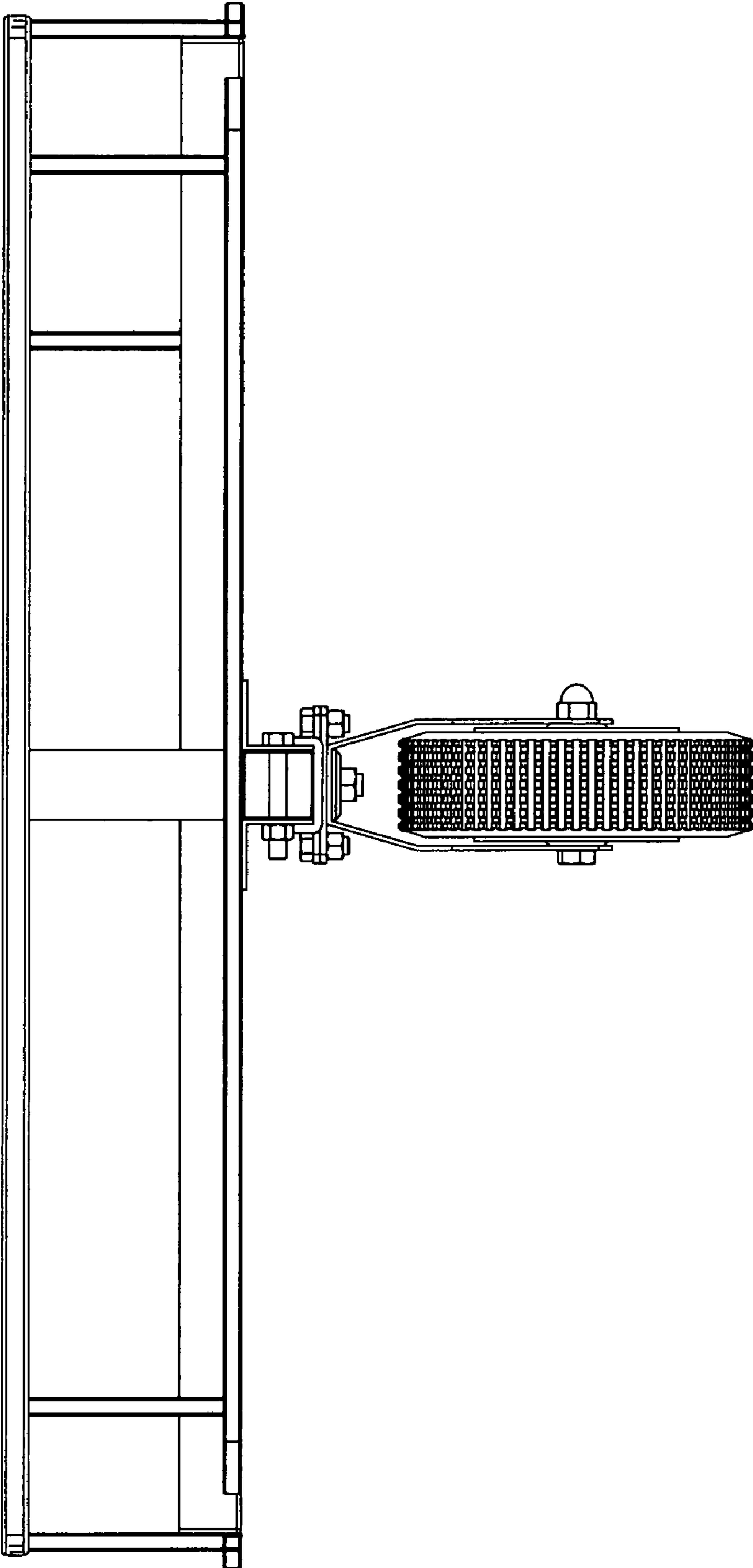


Fig. 3

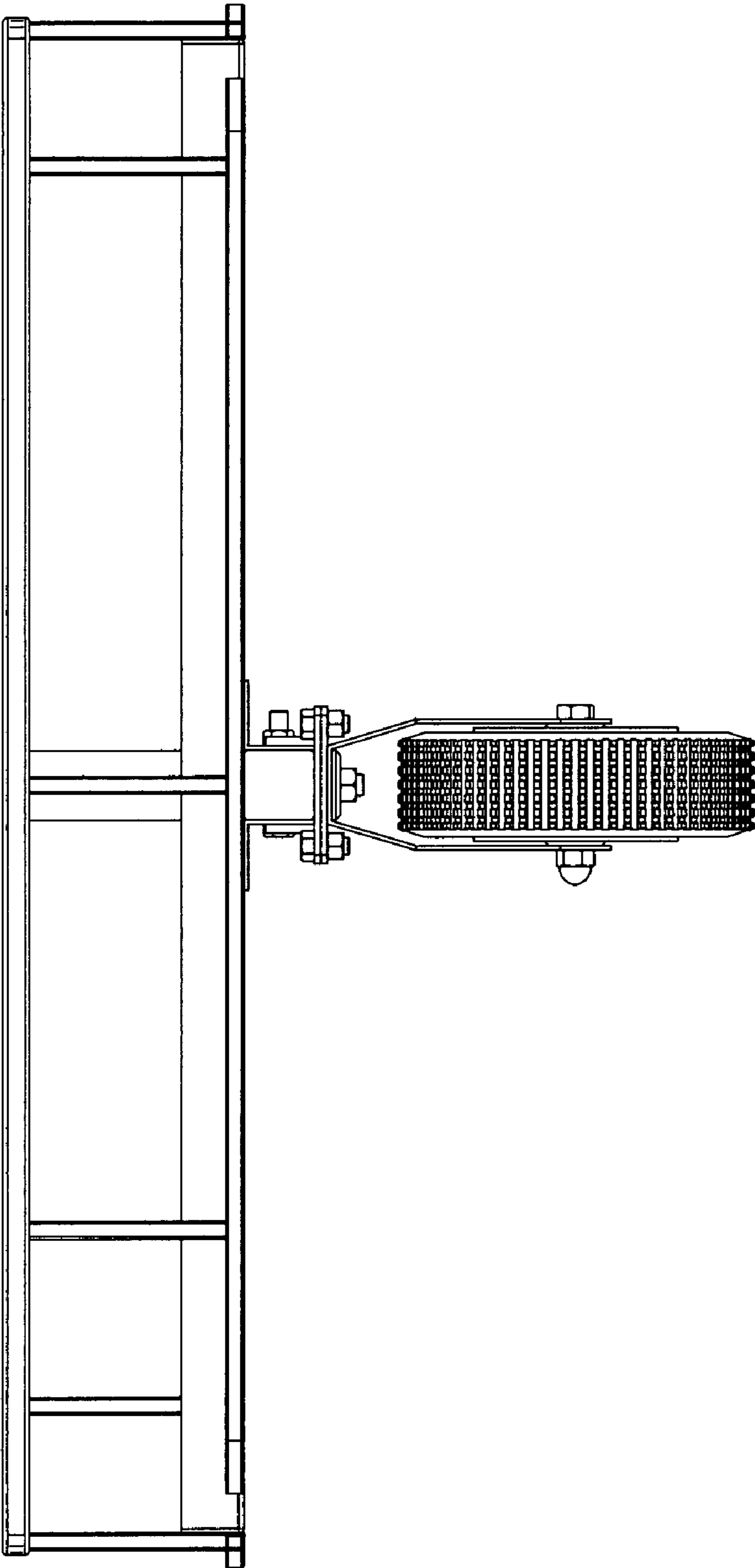


Fig. 4

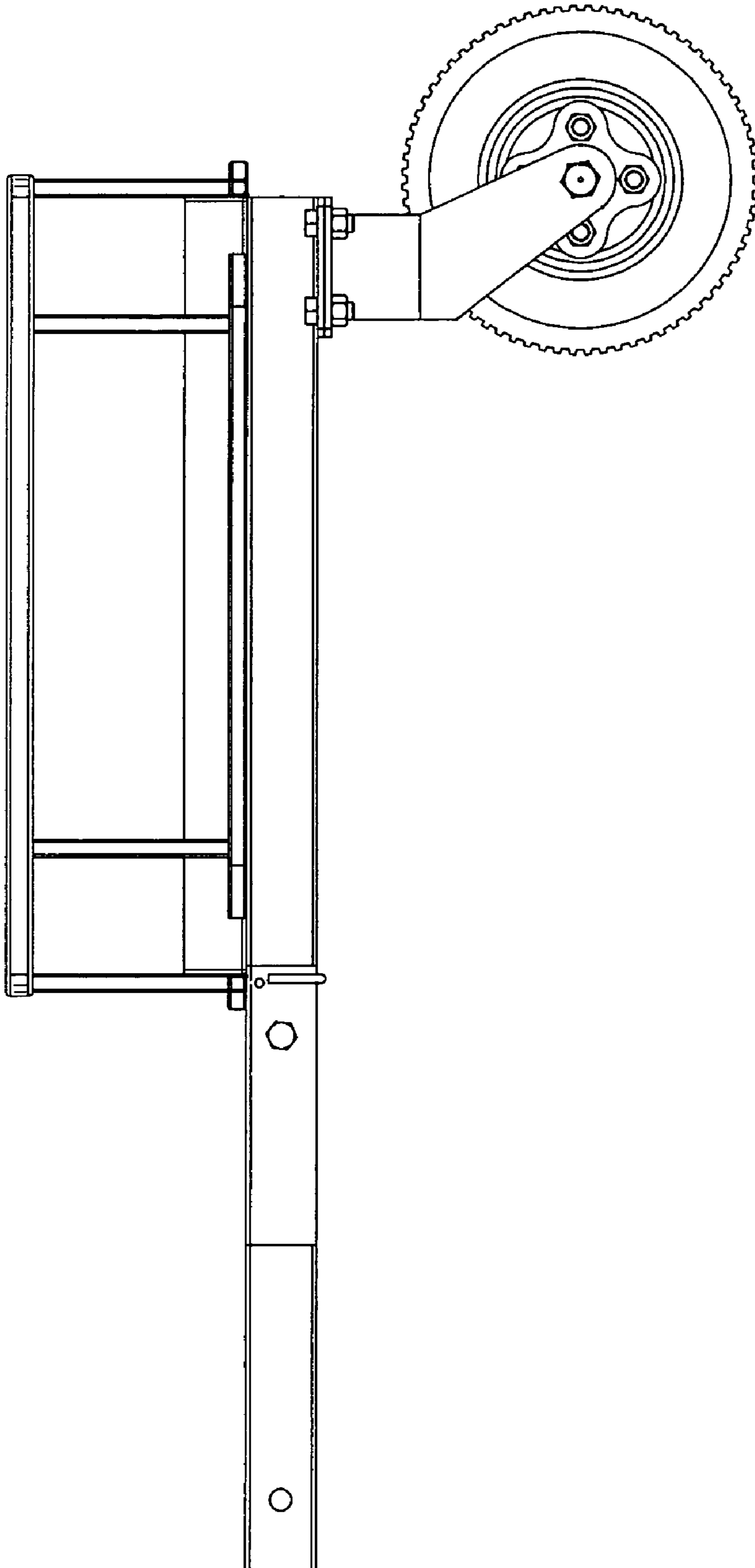


Fig. 5

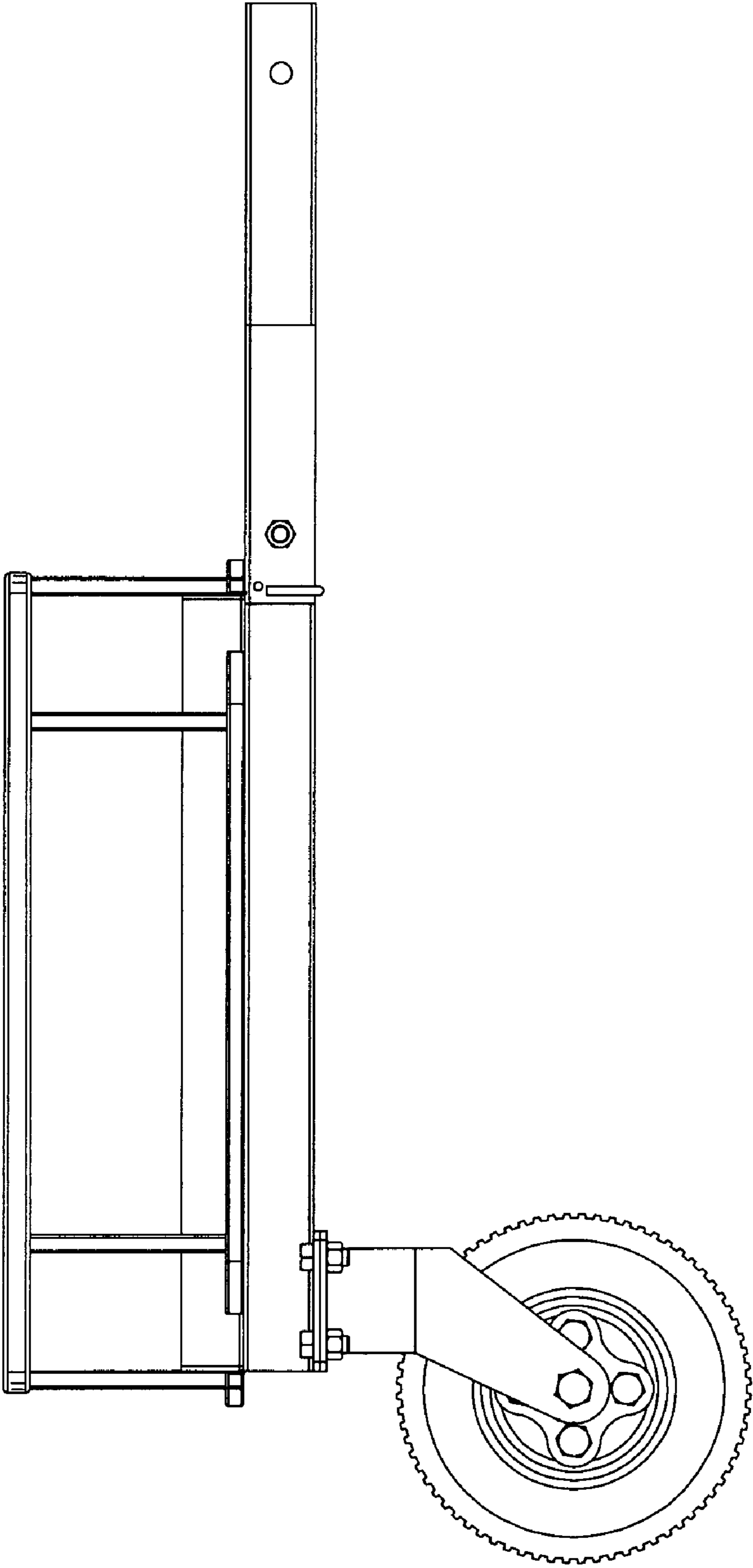


Fig. 6

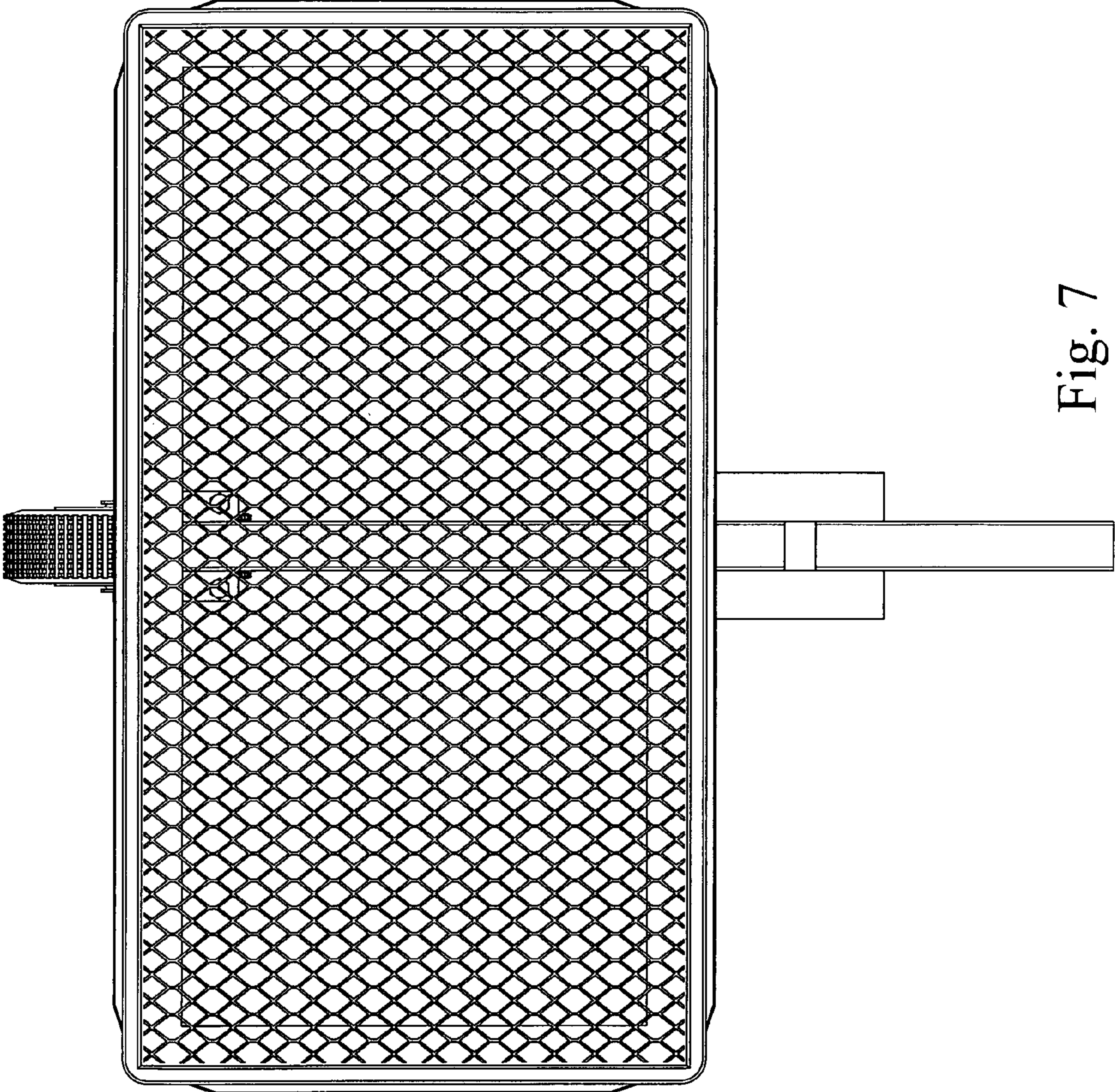


Fig. 7



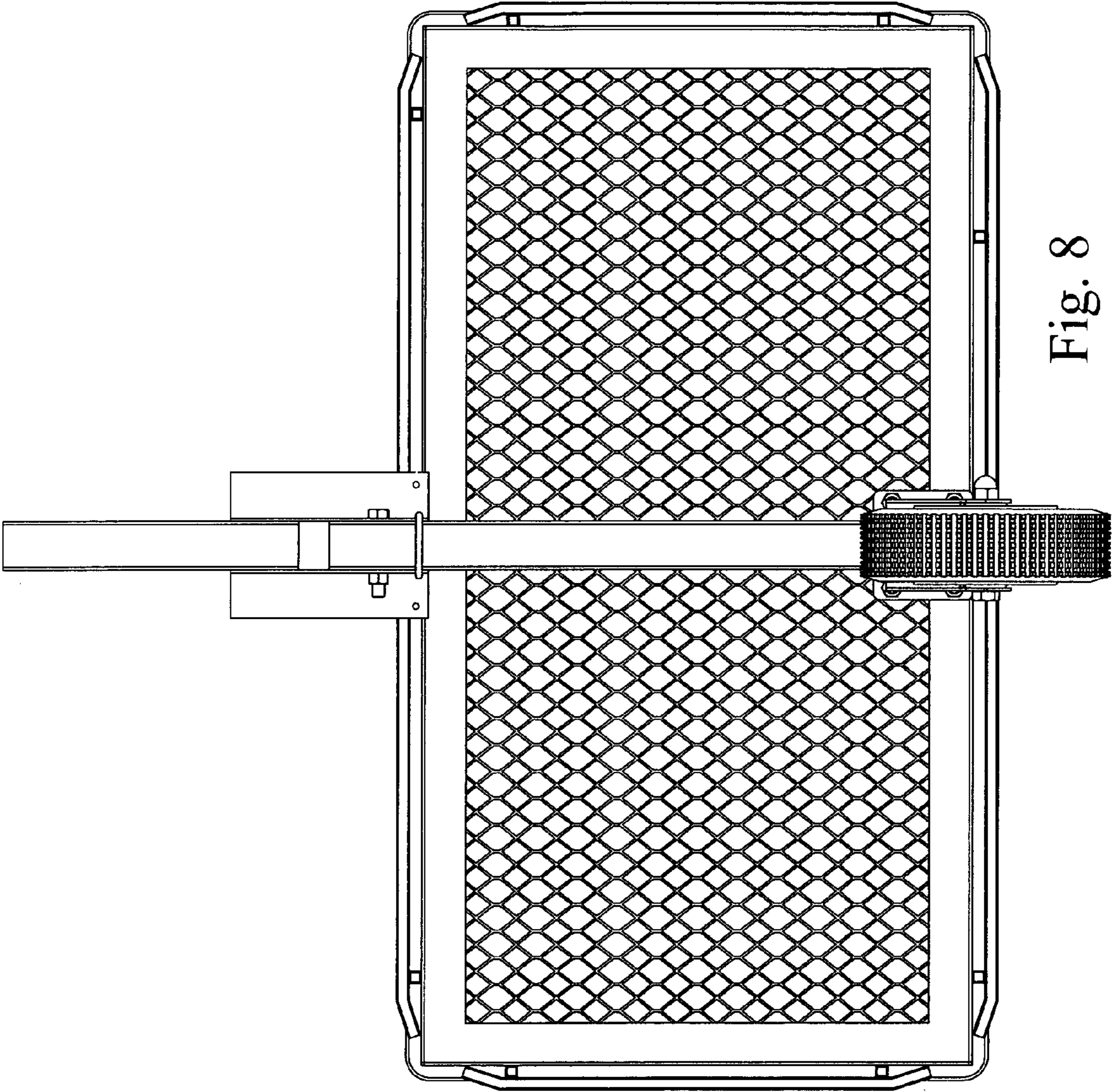


Fig. 8

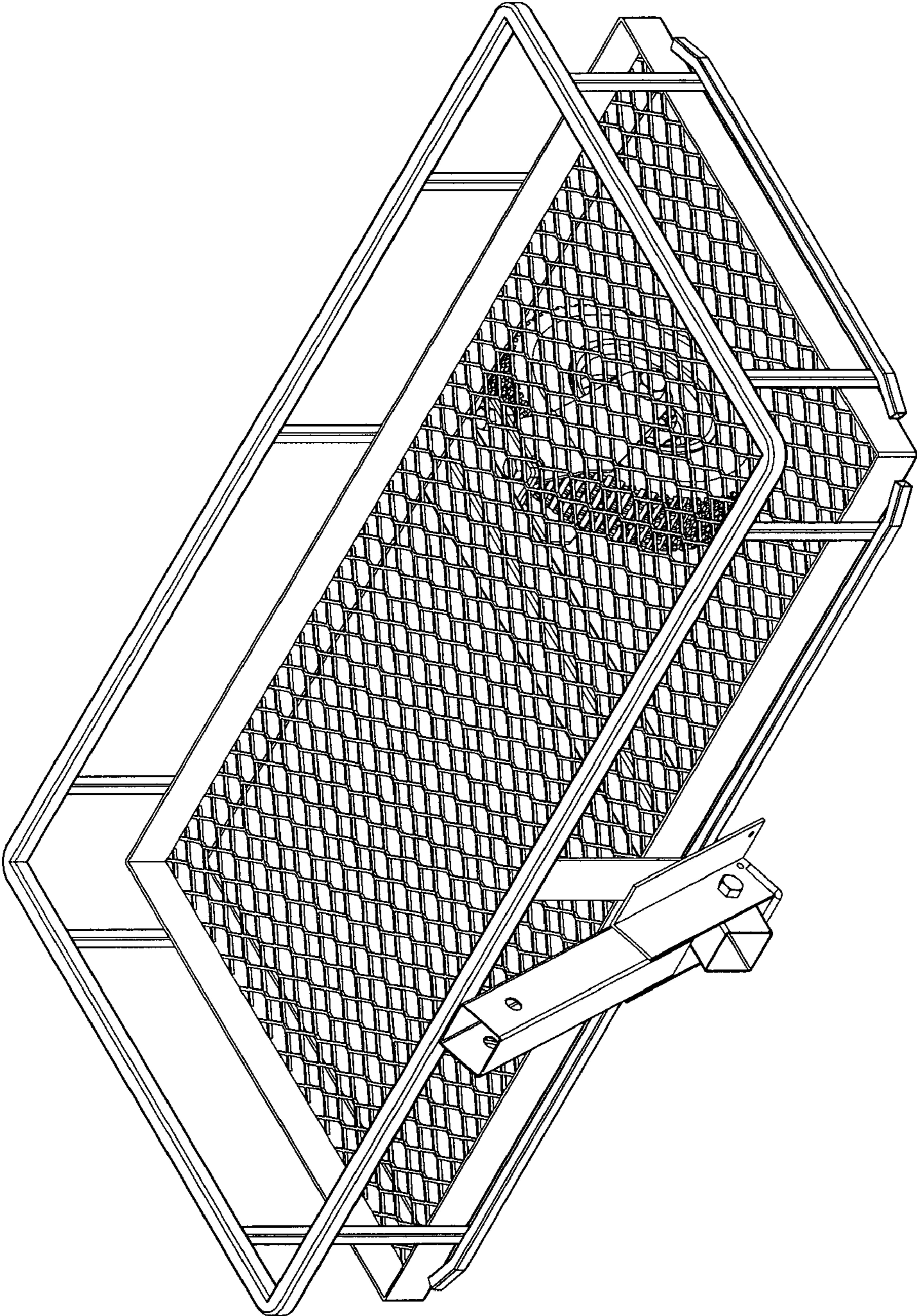


Fig. 9



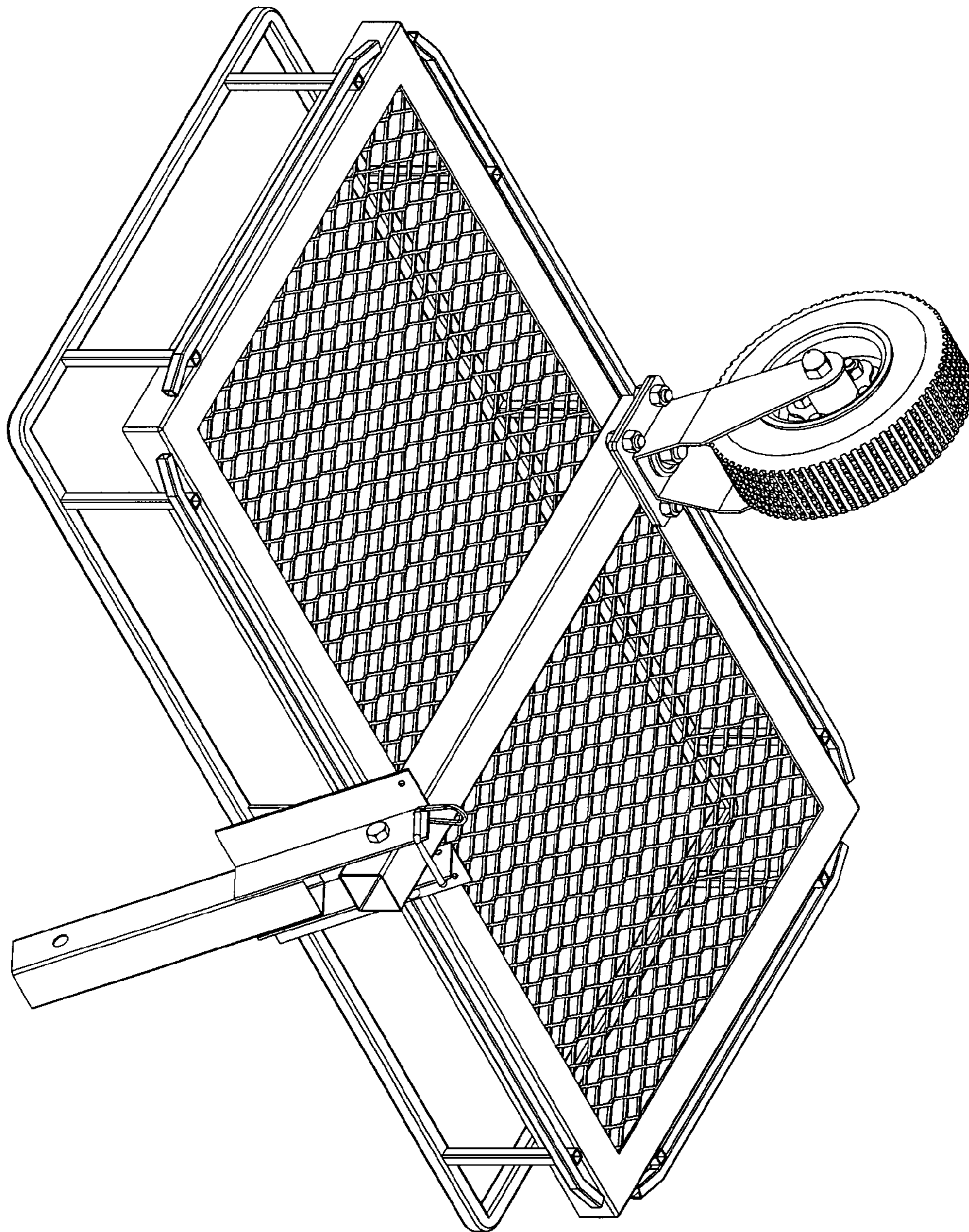


Fig. 10



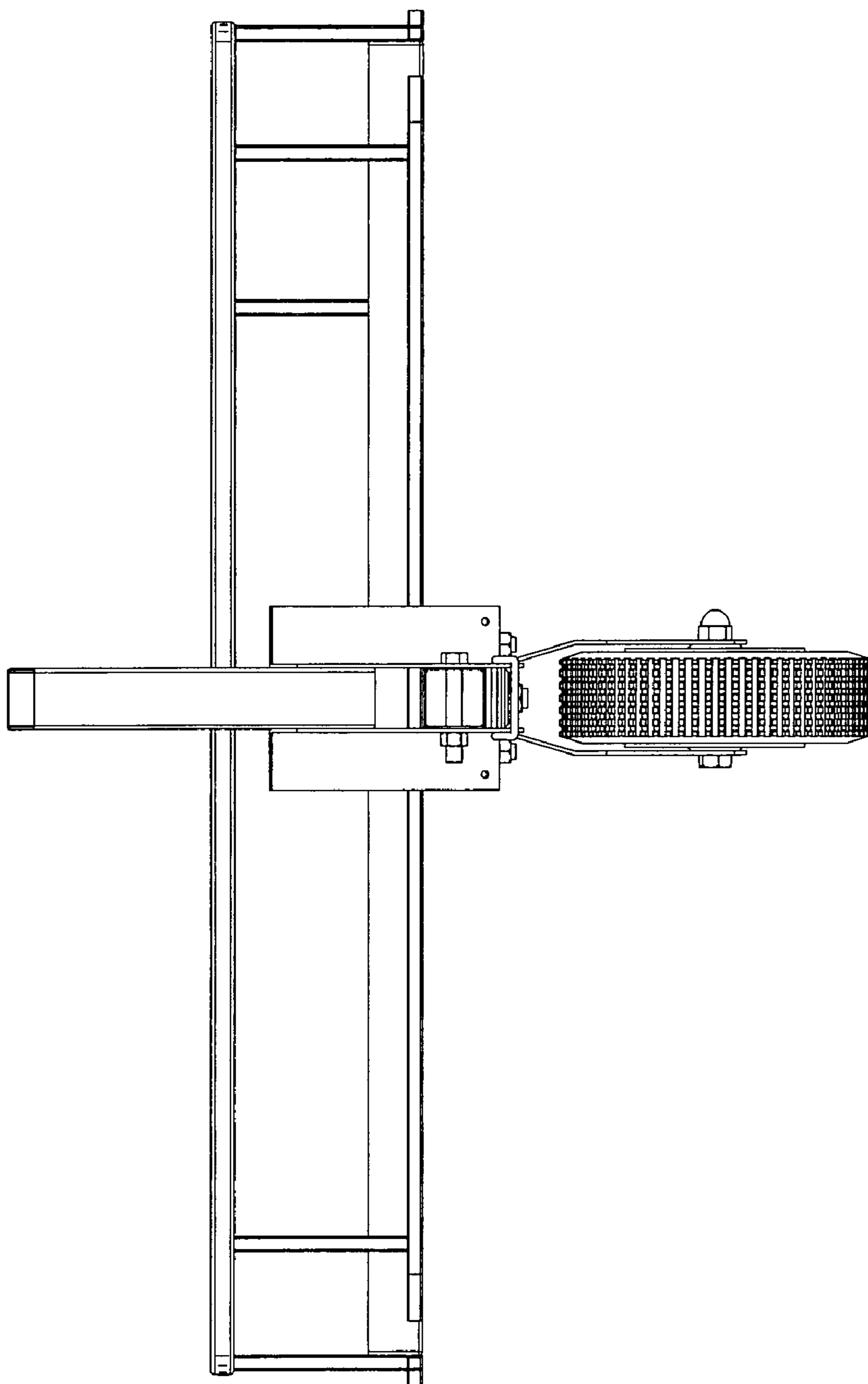


Fig. 11

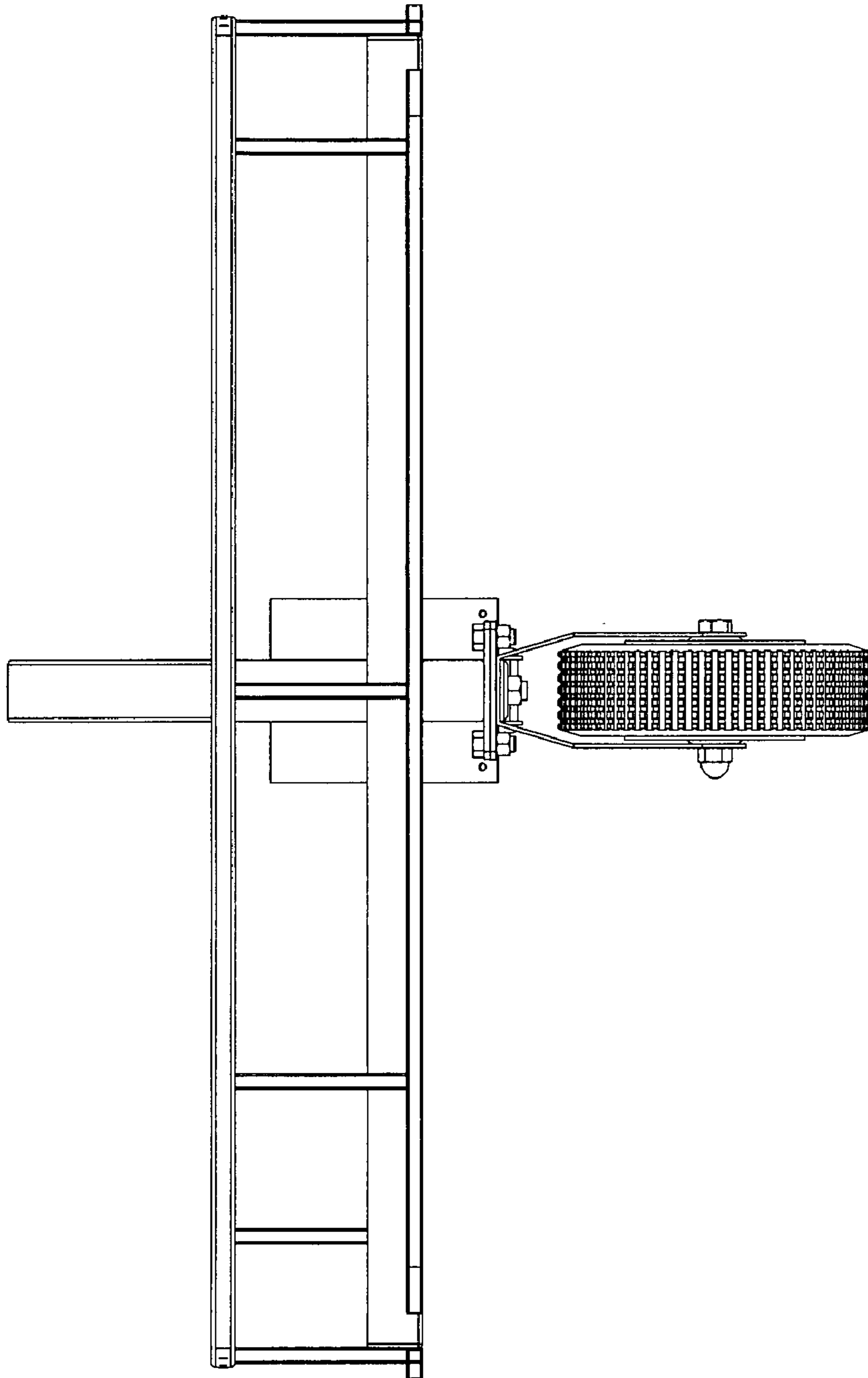


Fig. 12

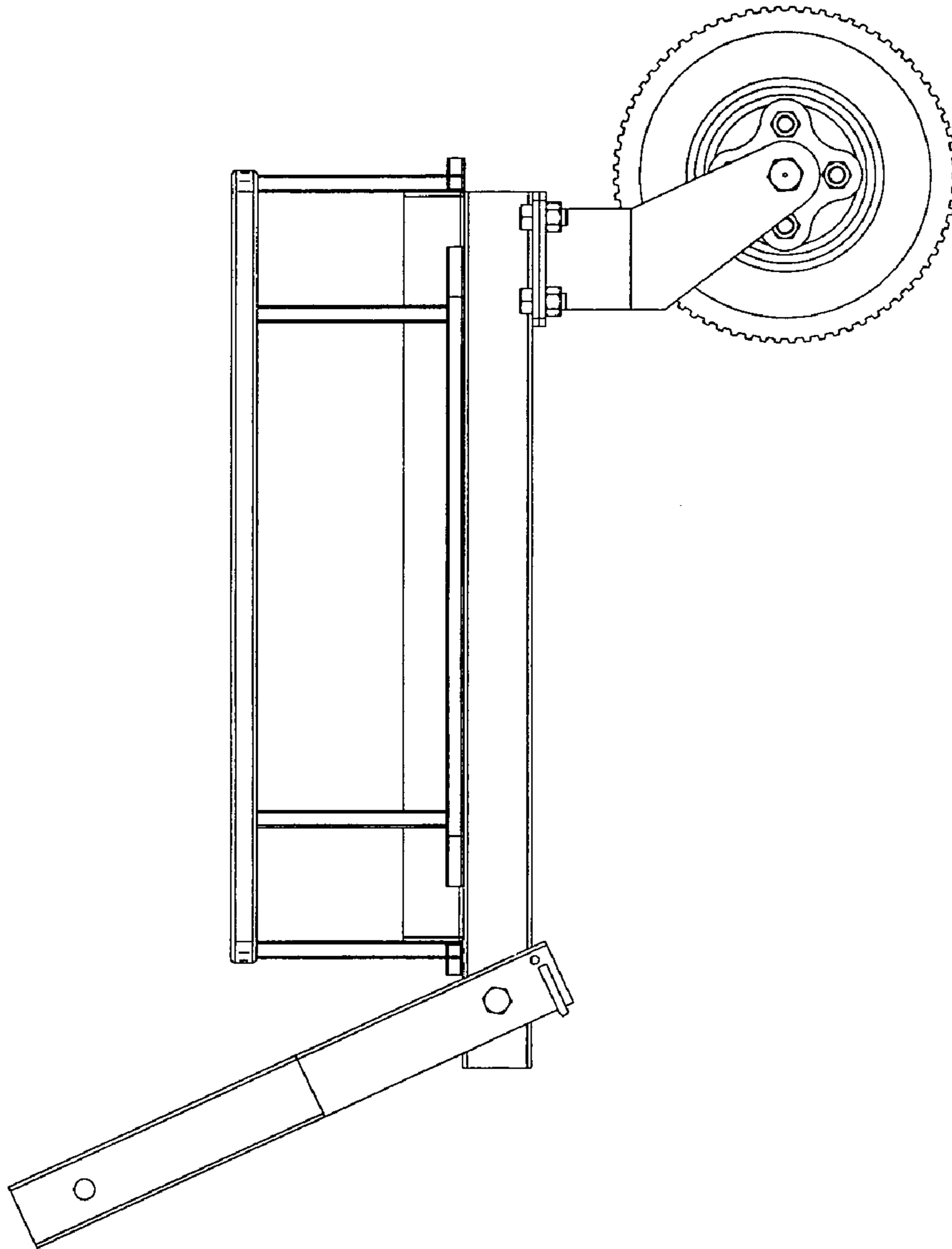


Fig. 13



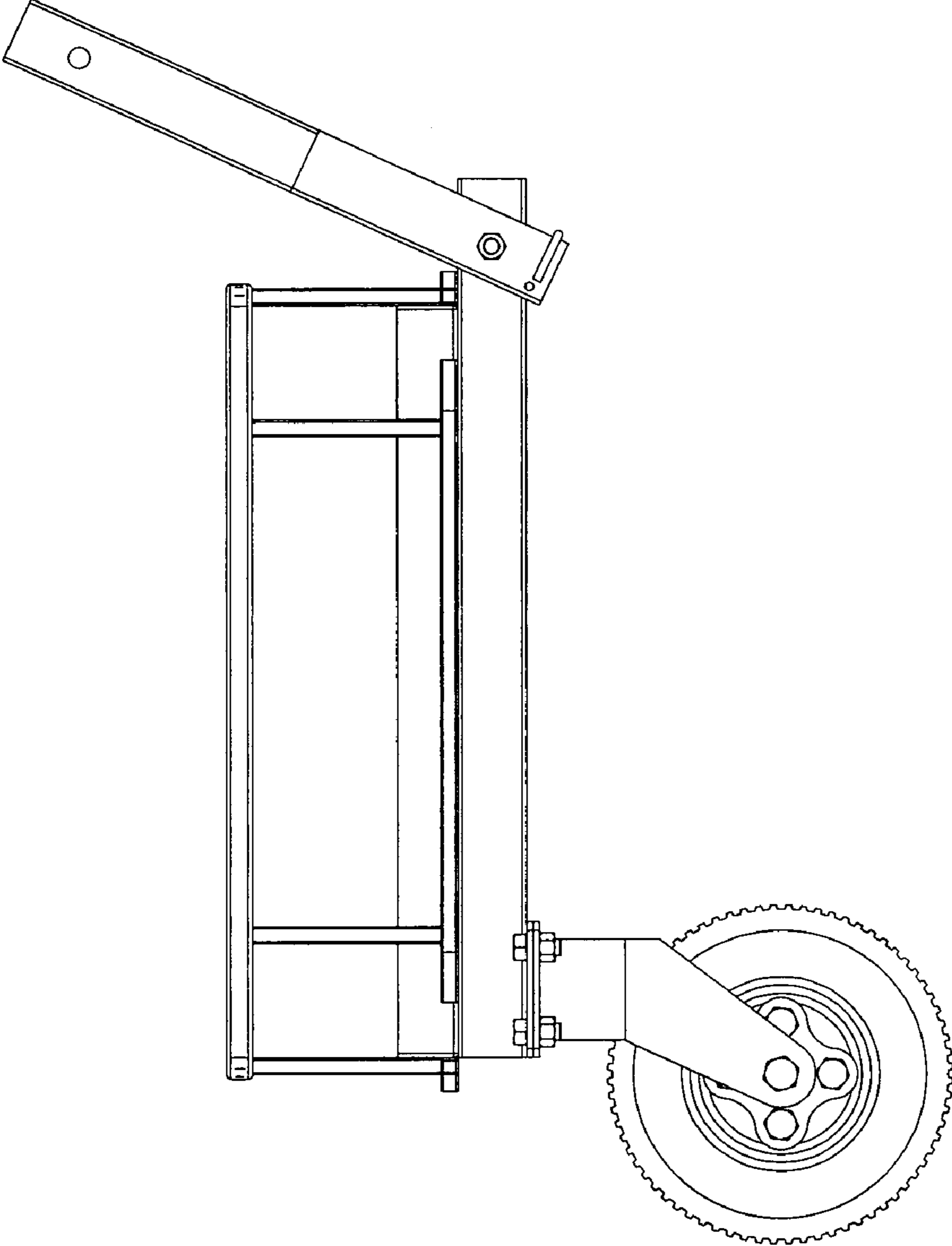


Fig. 14

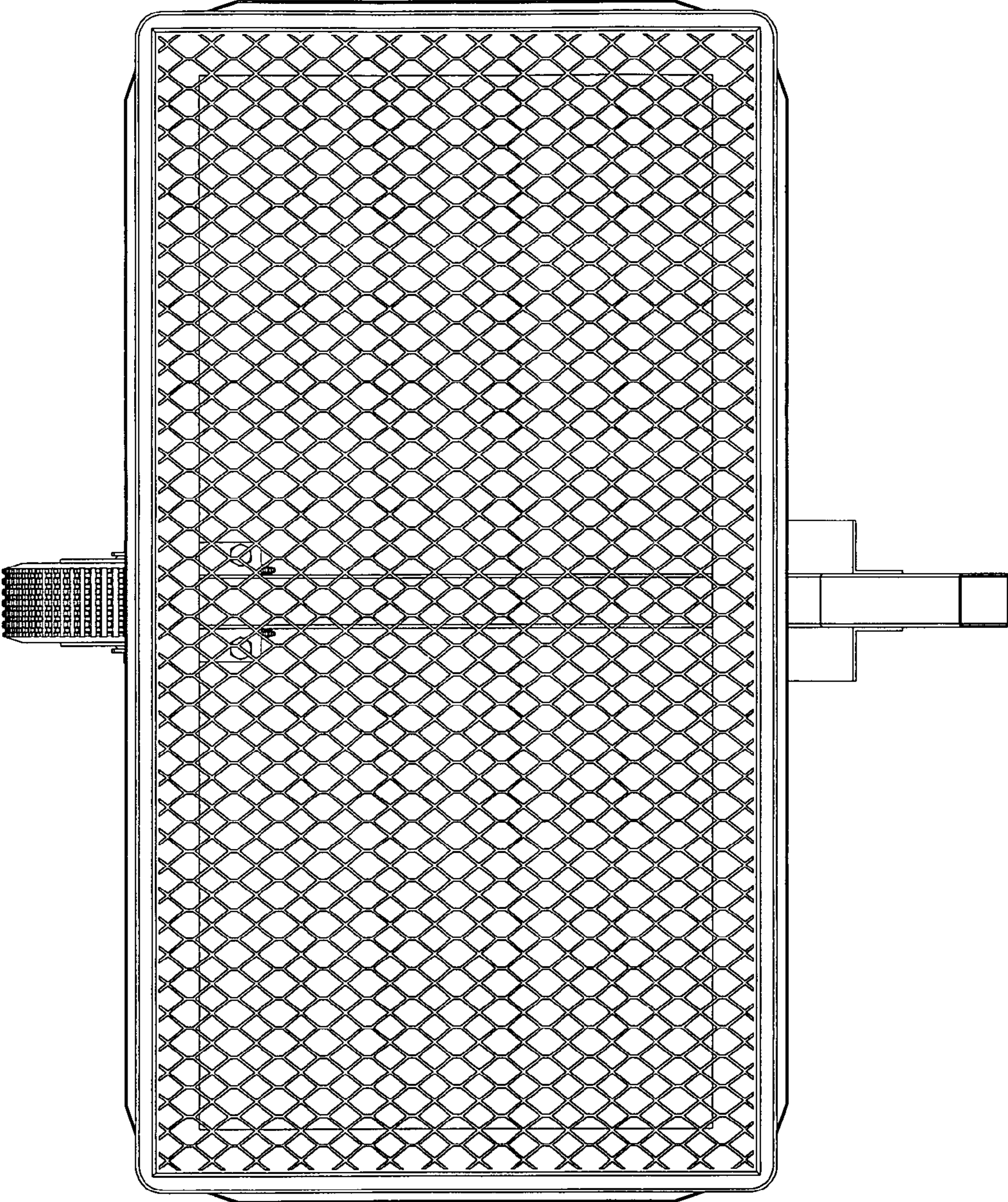


Fig. 15



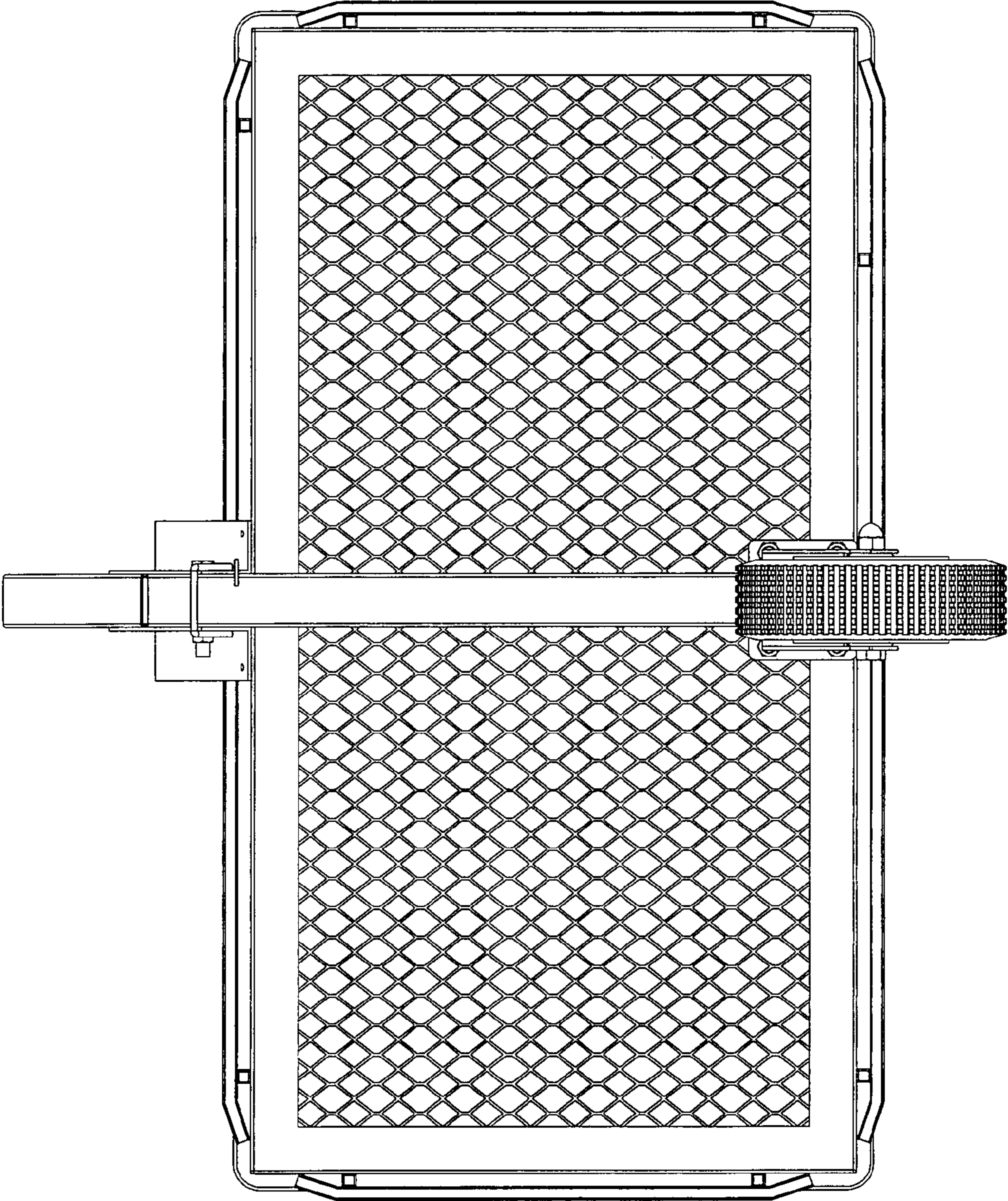


Fig. 16