

US00D593926S

(12) **United States Design Patent**  
**Buck**

(10) **Patent No.:** **US D593,926 S**

(45) **Date of Patent:** **\*\* Jun. 9, 2009**

(54) **UTILITY VEHICLE TOP AND RAIL ASSEMBLY**

(75) Inventor: **Rawson Lee Buck**, Sierra Madre, CA (US)

(73) Assignee: **Ross Buck**, Altadena, CA (US)

(\*\*) Term: **14 Years**

(21) Appl. No.: **29/248,776**

(22) Filed: **Aug. 31, 2006**

(51) **LOC (9) Cl.** ..... **12-16**

(52) **U.S. Cl.** ..... **D12/404**

(58) **Field of Classification Search** ..... D12/401, D12/404, 195, 89, 86, 90, 91; 296/185, 186, 296/200-224, 99.1, 91, 103, 156, 163  
See application file for complete search history.

(56) **References Cited**

**U.S. PATENT DOCUMENTS**

693,423	A *	2/1902	Stevens et al.	.....	165/101
D167,349	S *	7/1952	Young et al.	.....	D27/135
D198,780	S *	8/1964	Hines	.....	D12/404
D250,330	S *	11/1978	Hickman et al.	.....	D12/403
D268,408	S *	3/1983	Ruggles	.....	D12/403
4,877,283	A *	10/1989	Little et al.	.....	296/100.18
D322,055	S *	12/1991	Bruce et al.	.....	D12/403

5,765,903	A *	6/1998	Essig et al.	.....	296/102
D408,781	S *	4/1999	Gordon	.....	D12/401
D442,911	S *	5/2001	Essig et al.	.....	D12/404
D474,145	S *	5/2003	Dawson et al.	.....	D12/401
D537,031	S *	2/2007	Hoy et al.	.....	D12/401

\* cited by examiner

*Primary Examiner*—Caron Veynar

*Assistant Examiner*—Katrina A Kile

(57) **CLAIM**

The ornamental design for a utility vehicle top and rail assembly, as shown and described.

**DESCRIPTION**

FIG. 1—is a right side elevational view of a utility vehicle top and rail assembly showing my new design;

FIG. 2—is a rear perspective view thereof;

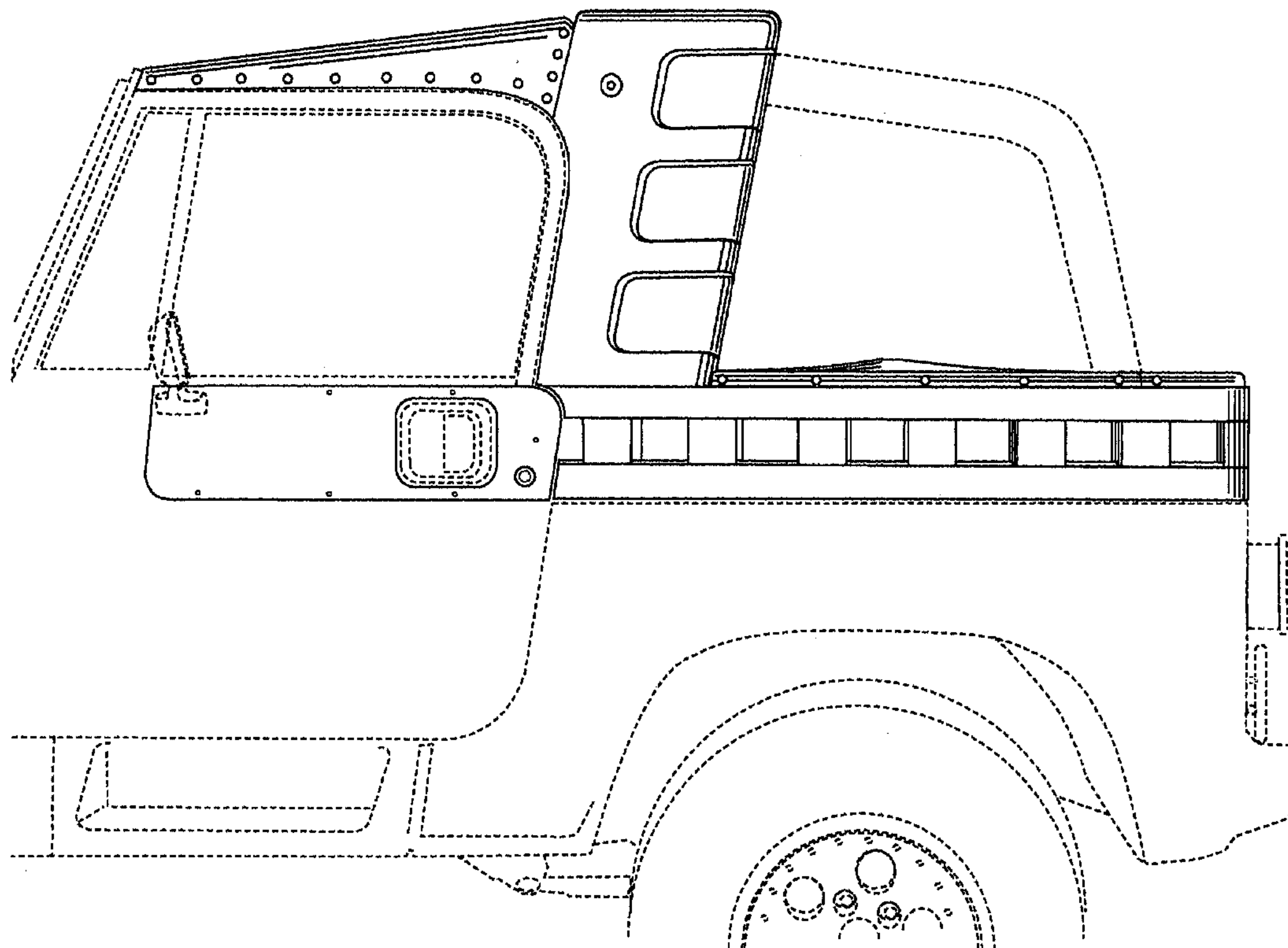
FIG. 3—is a right rear perspective thereof in an alternate position of use with the toneau cover and rear window removed;

FIG. 4—is a rear perspective view thereof; and,

FIG. 5—is a front perspective view thereof.

The broken lines in the drawings indicate environmental structure and form no part of the claimed design.

**1 Claim, 5 Drawing Sheets**



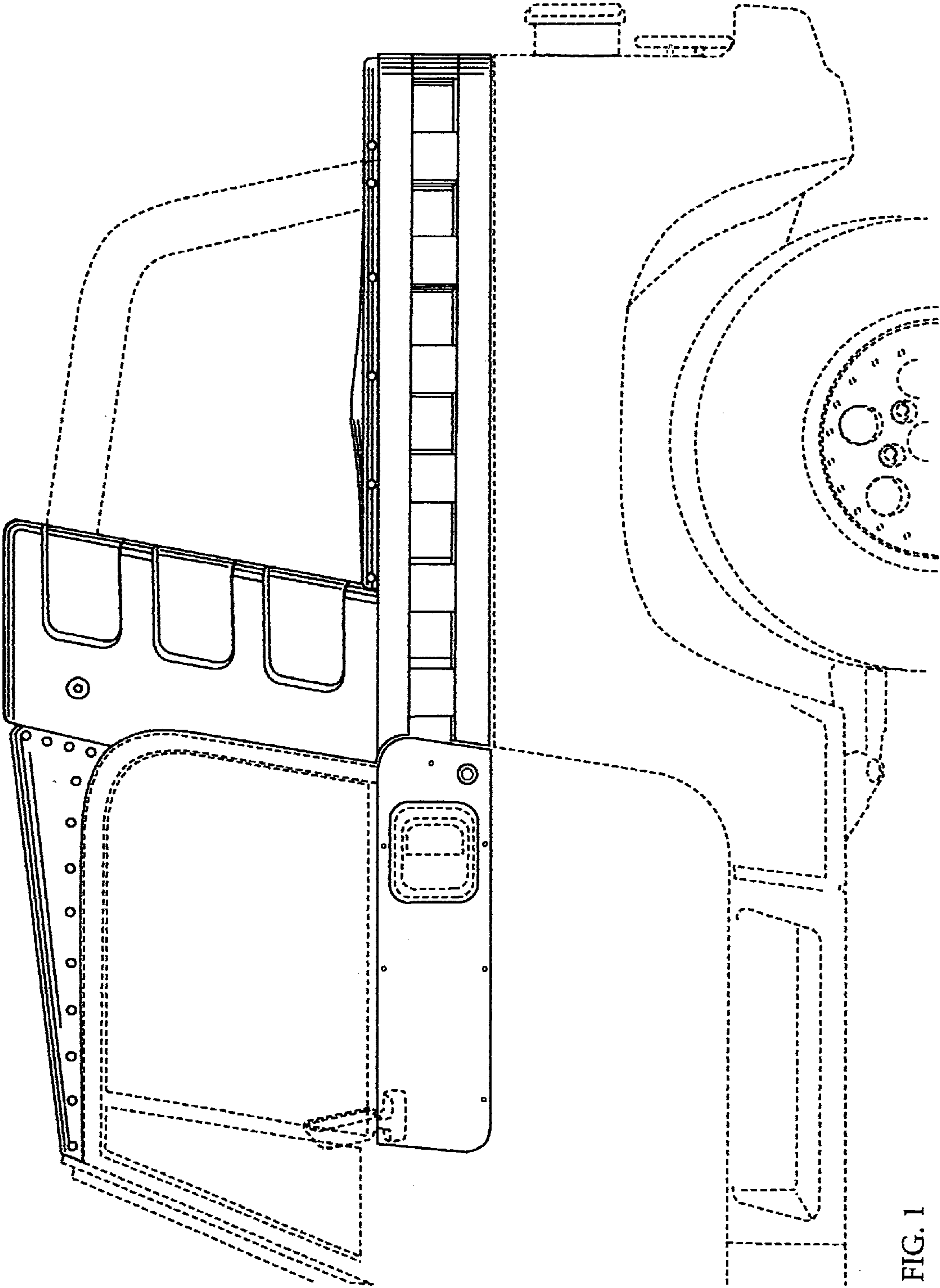


FIG. 1

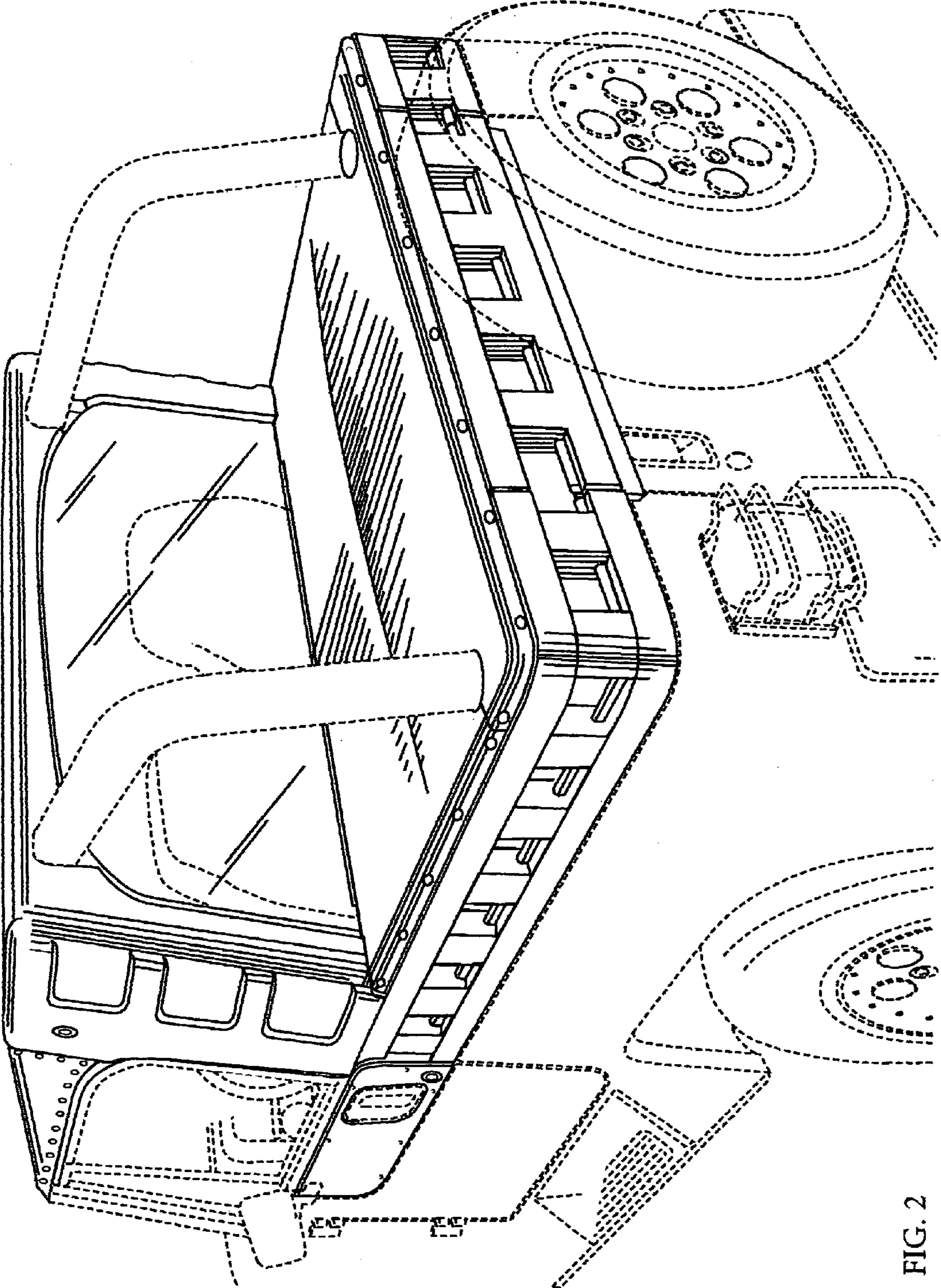


FIG. 2



INVENTOR: Rawson Lee Buck TITLE: Utility Vehicle Top and Rail Assembly APPLICATION NUMBER: 29/248,776  
Replacement Sheet

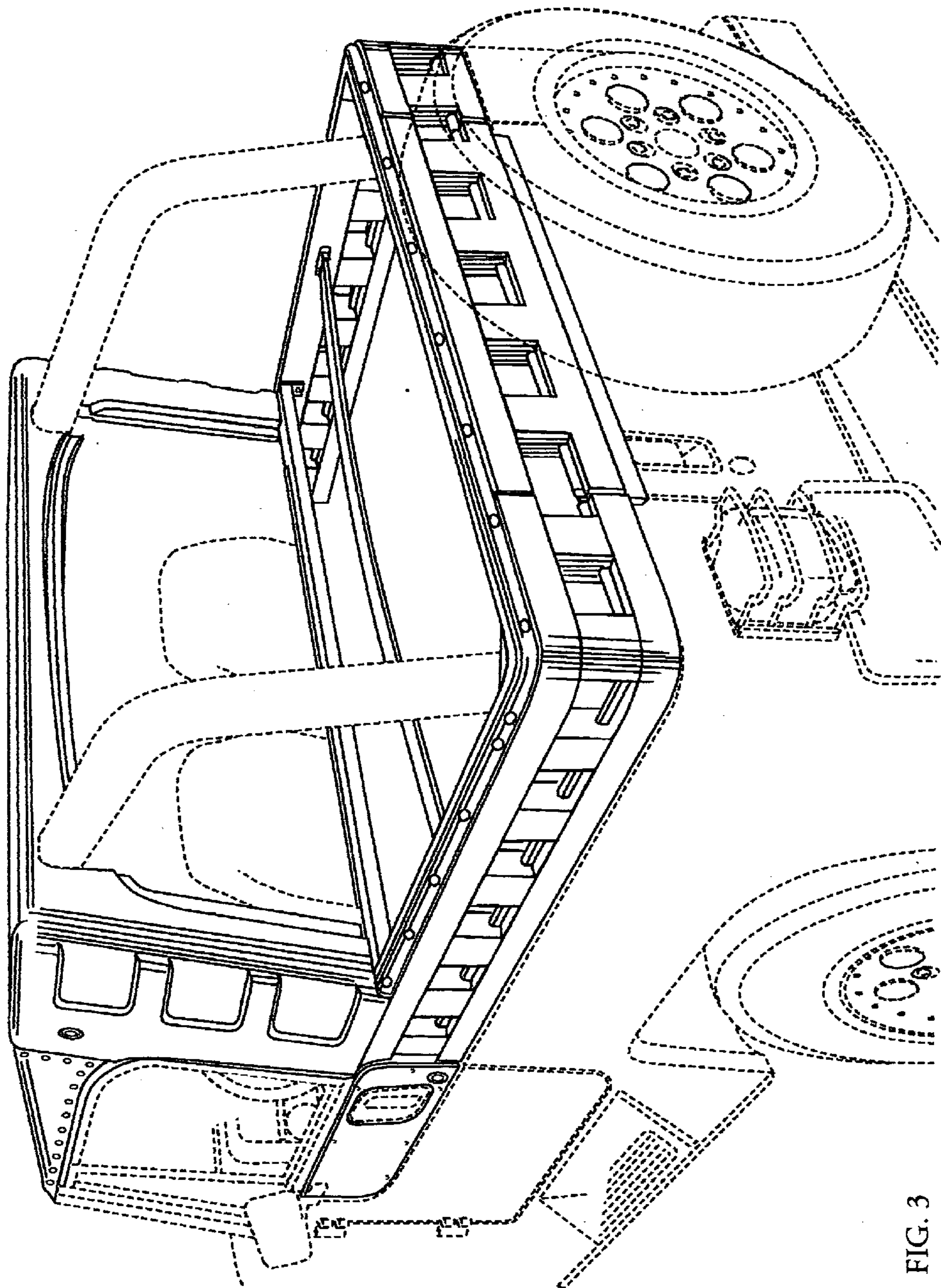


FIG. 3

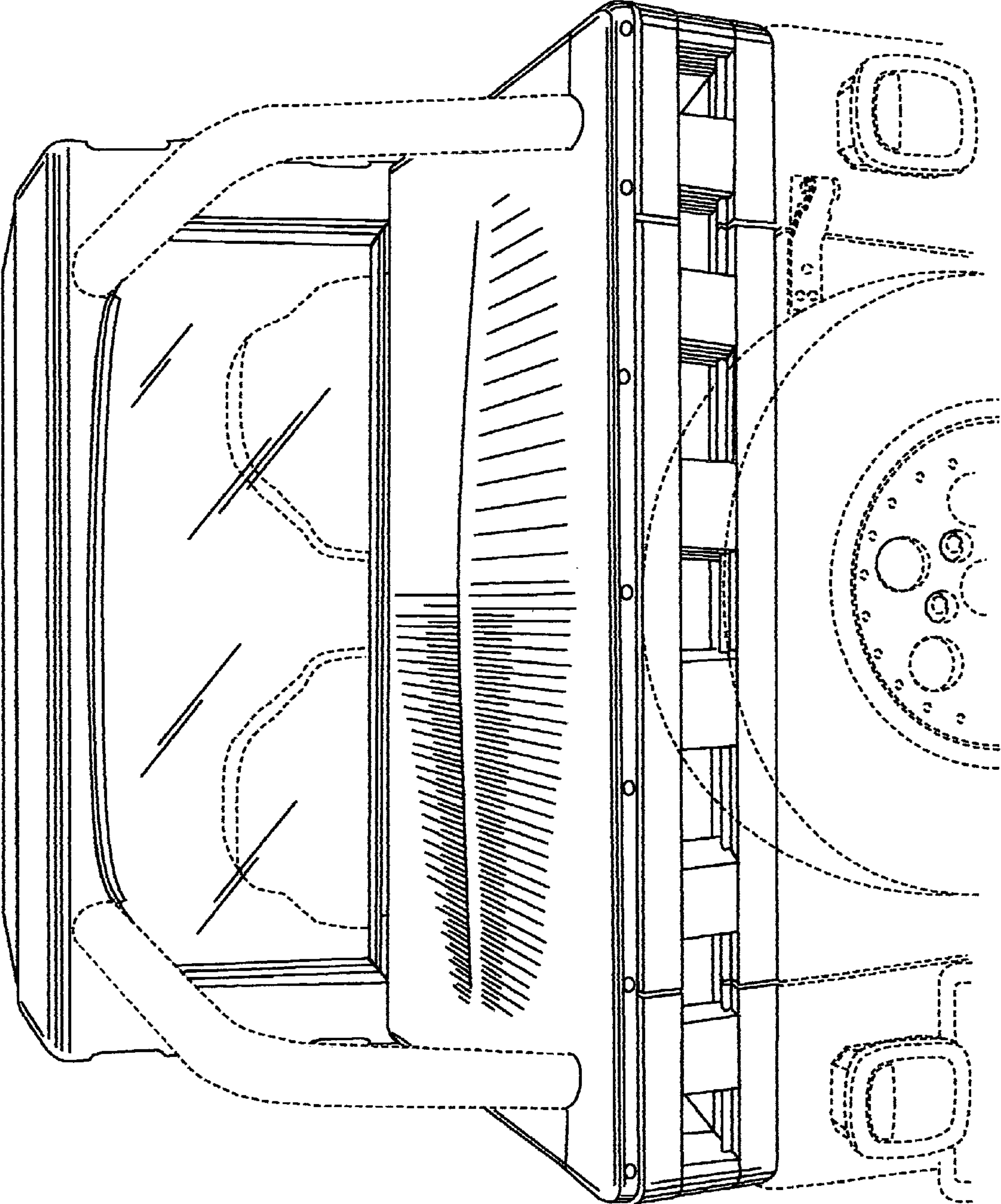


FIG. 4



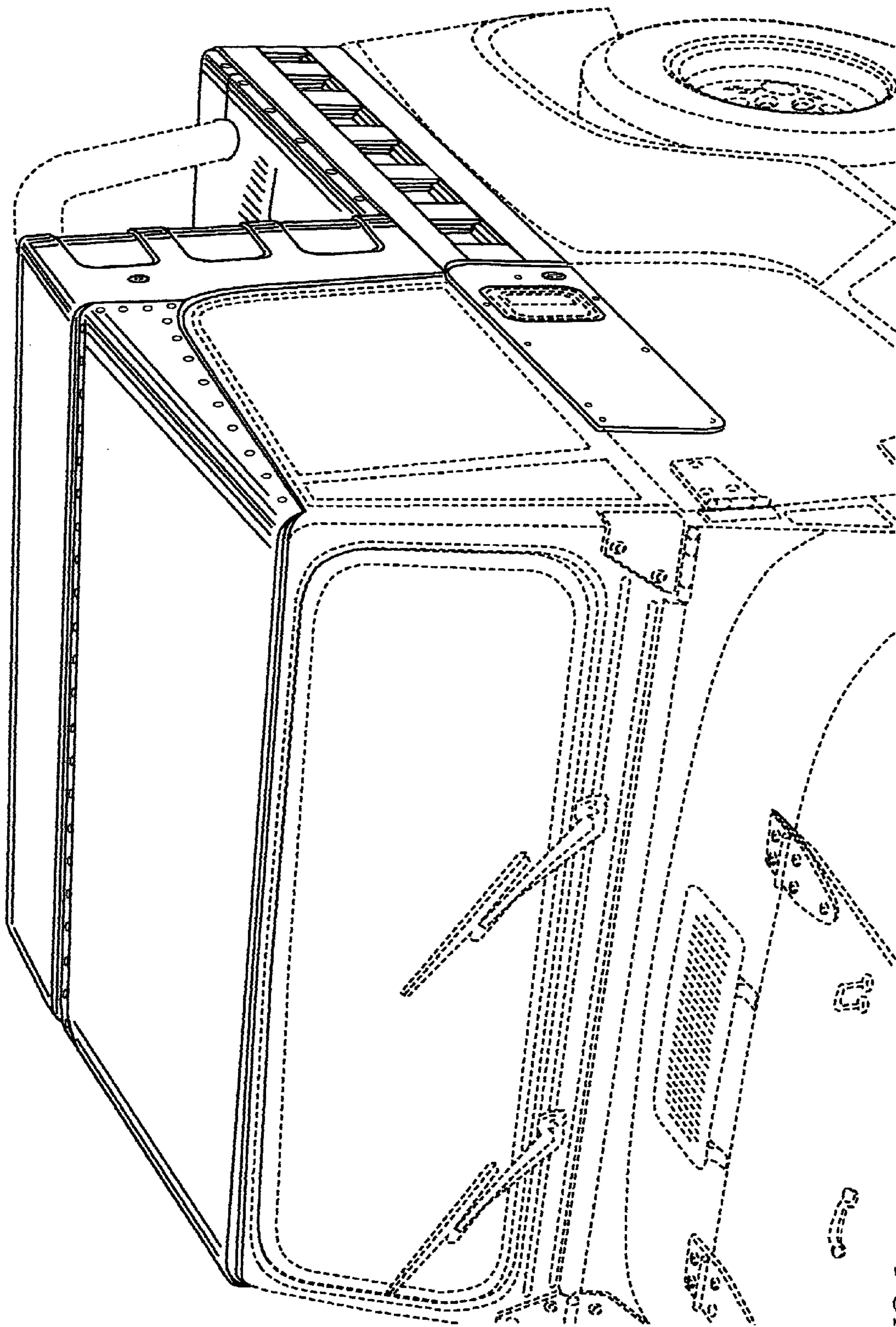


FIG. 5