



US00D593925S

(12) **United States Design Patent**
Chu

(10) **Patent No.:** **US D593,925 S**

(45) **Date of Patent:** **** Jun. 9, 2009**

(54) **FILTER DEVICE FOR AN ACCUMULATOR**

(76) **Inventor:** **Henry C. Chu**, 133N. Lemon St.,
Orange, CA (US) 92866

(**) **Term:** **14 Years**

(21) **Appl. No.:** **29/312,021**

(22) **Filed:** **Sep. 25, 2008**

(51) **LOC (9) Cl.** **12-16**

(52) **U.S. Cl.** **D12/400**

(58) **Field of Classification Search** D12/400,
D12/193, 153, 197, 199, 201; D6/300-303,
D6/310-314; 40/200-203, 207-216, 37.1;
D8/305, 397; D29/23 B; D2/250; D34/2 D;
D26/14 F; D23/209, 365

See application file for complete search history.

(56) **References Cited**

U.S. PATENT DOCUMENTS

6,138,394 A *	10/2000	Sulenski	40/591
D495,748 S *	9/2004	Leland	D20/29
D501,668 S *	2/2005	Kayoum	D20/29
D543,365 S *	5/2007	James	D6/300

* cited by examiner

Primary Examiner—Caron Veynar

Assistant Examiner—Katrina A Kile

(74) *Attorney, Agent, or Firm*—Charles E. Baxley

(57) **CLAIM**

The ornamental design for a filter device for an accumulator,
as shown and described.

DESCRIPTION

FIG. 1 is a perspective view of a filter device for an accumu-
lator showing my new design;

FIG. 2 is a front elevational view thereof;

FIG. 3 is a rear elevational view thereof;

FIG. 4 is a top plan view thereof;

FIG. 5 is a bottom plan view thereof;

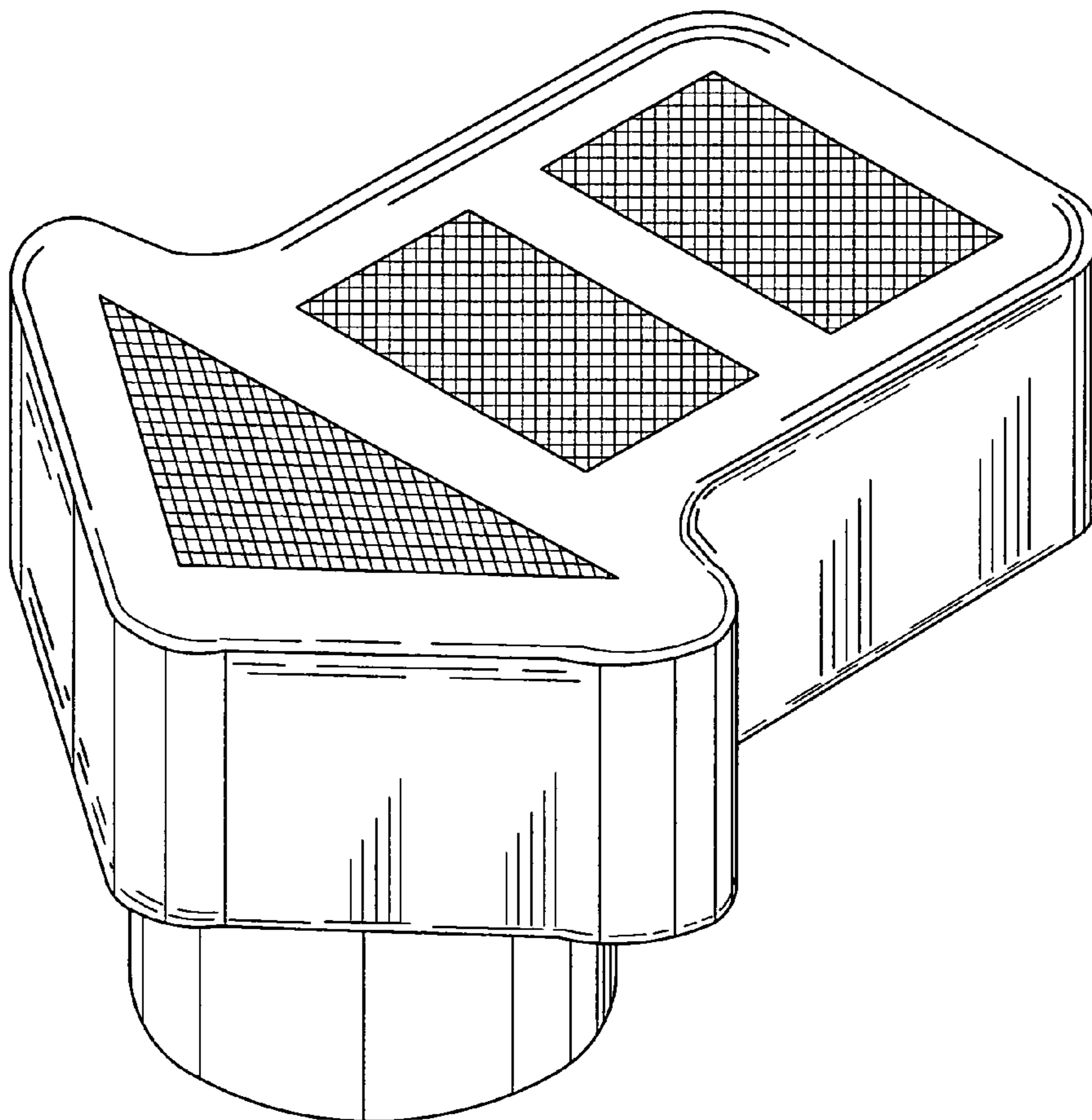
FIG. 6 is a left side elevational view thereof;

FIG. 7 is a right side elevational view thereof; and,

FIG. 8 is a perspective view thereof.

The broken lines show an accumulator and form no part of the
claimed design.

1 Claim, 5 Drawing Sheets



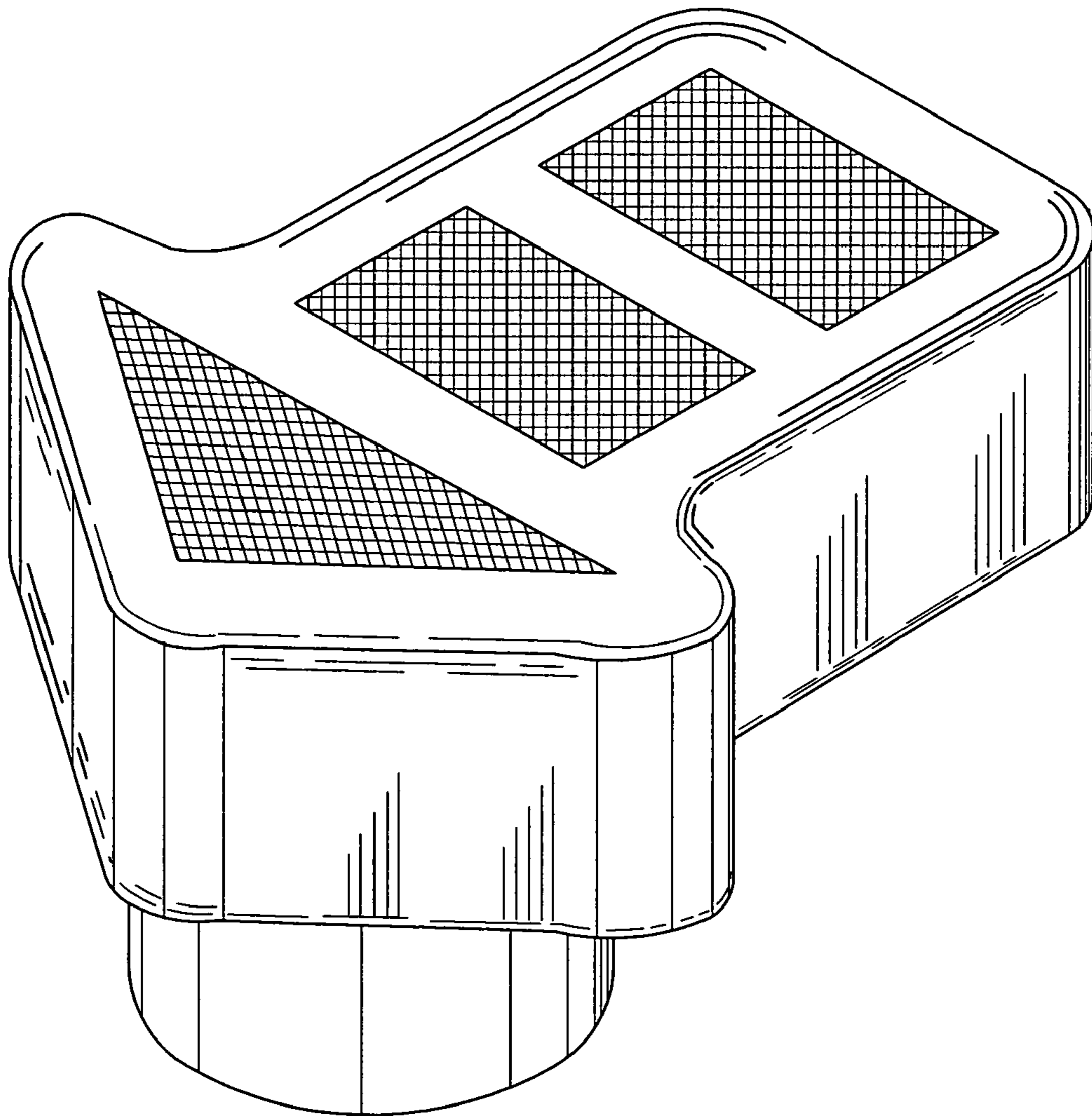


FIG. 1

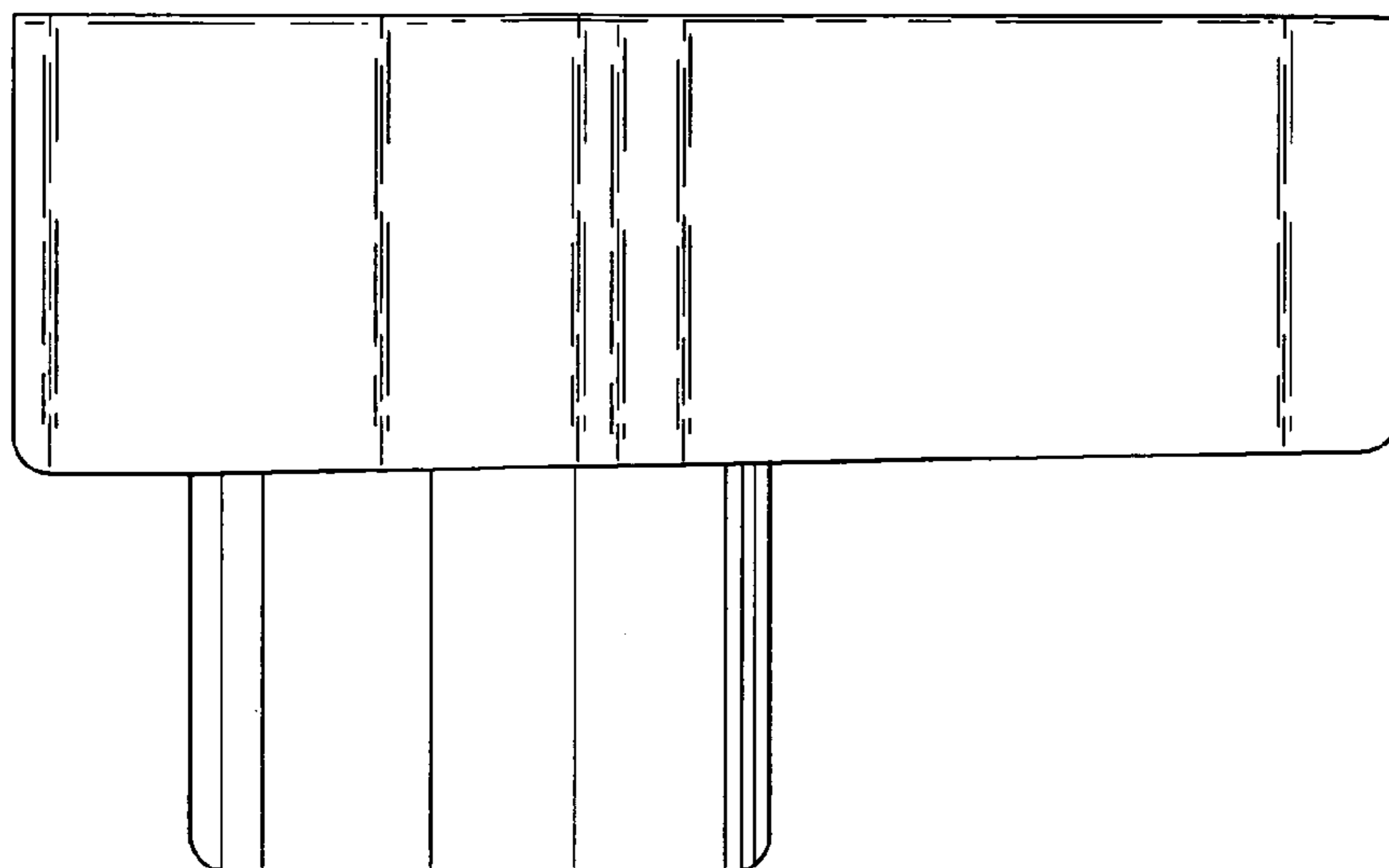


FIG. 2

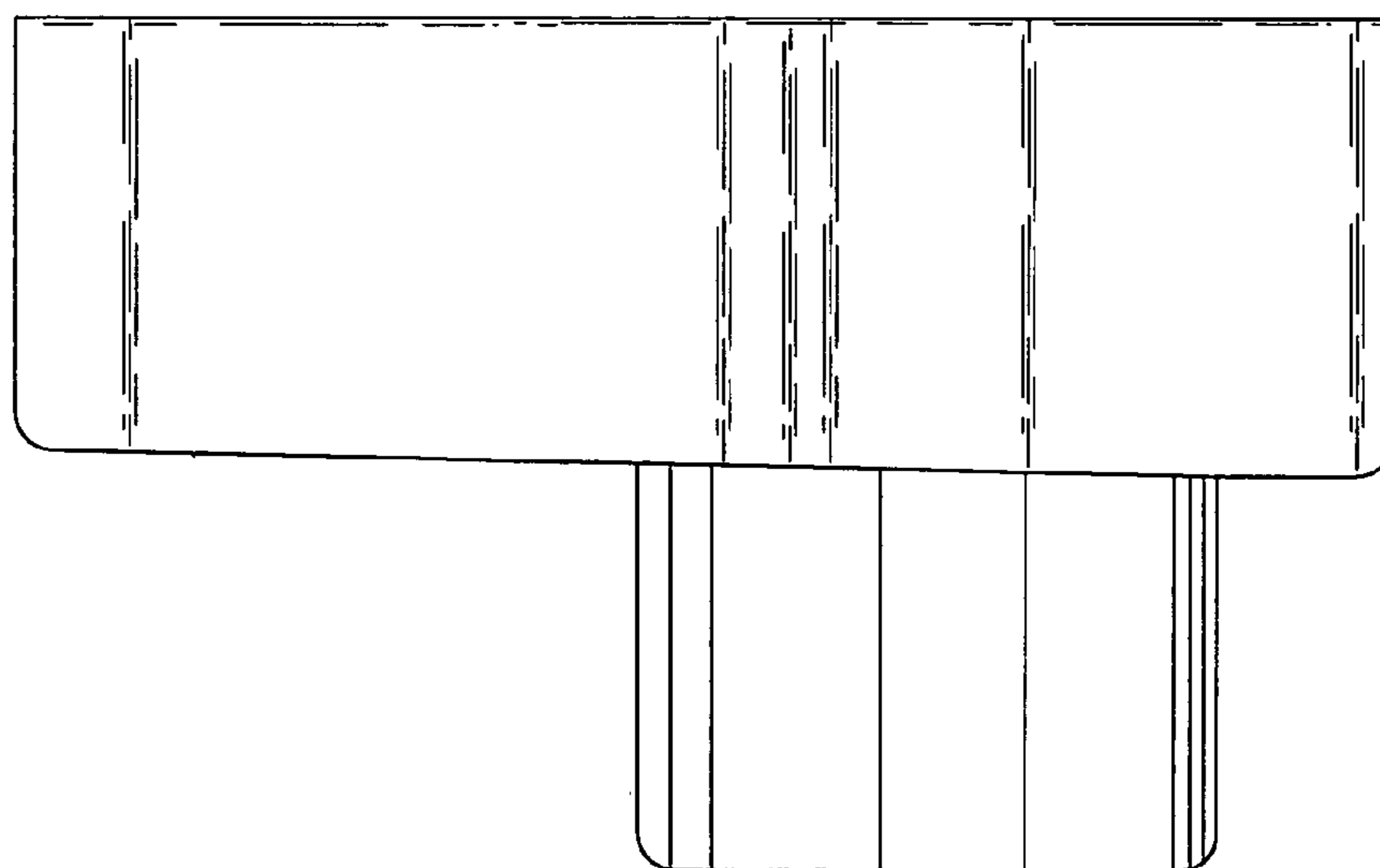


FIG. 3

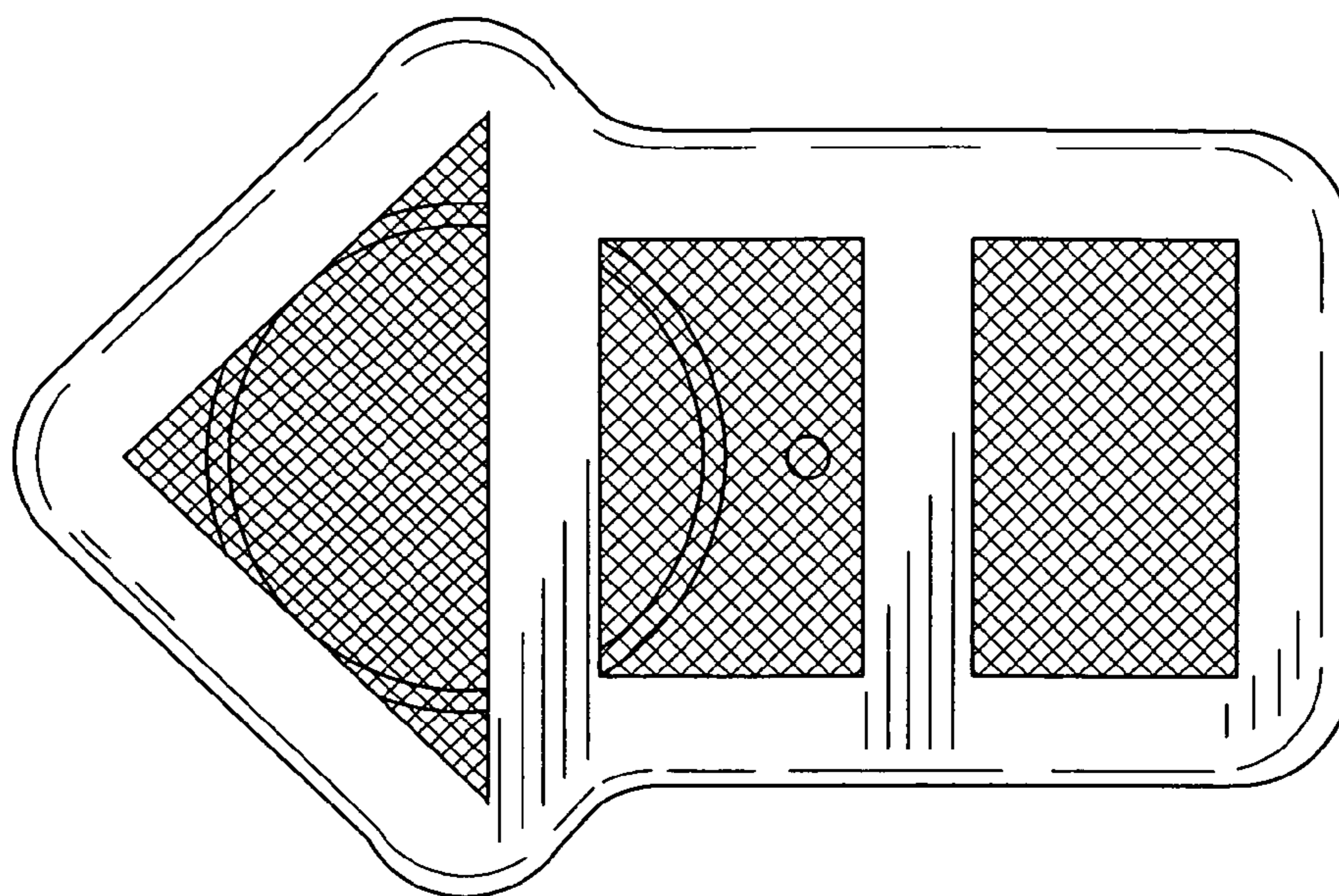


FIG. 4

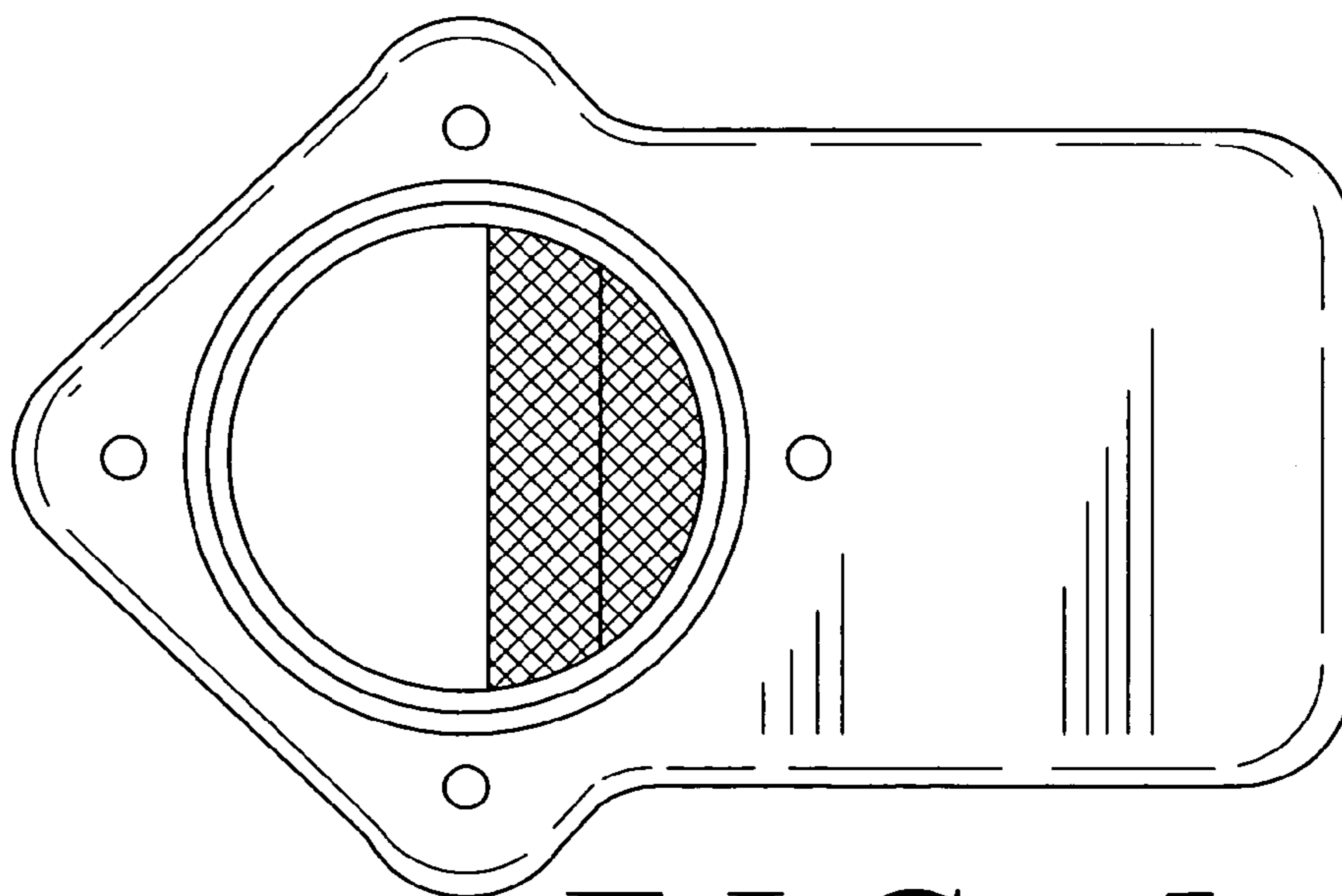


FIG. 5

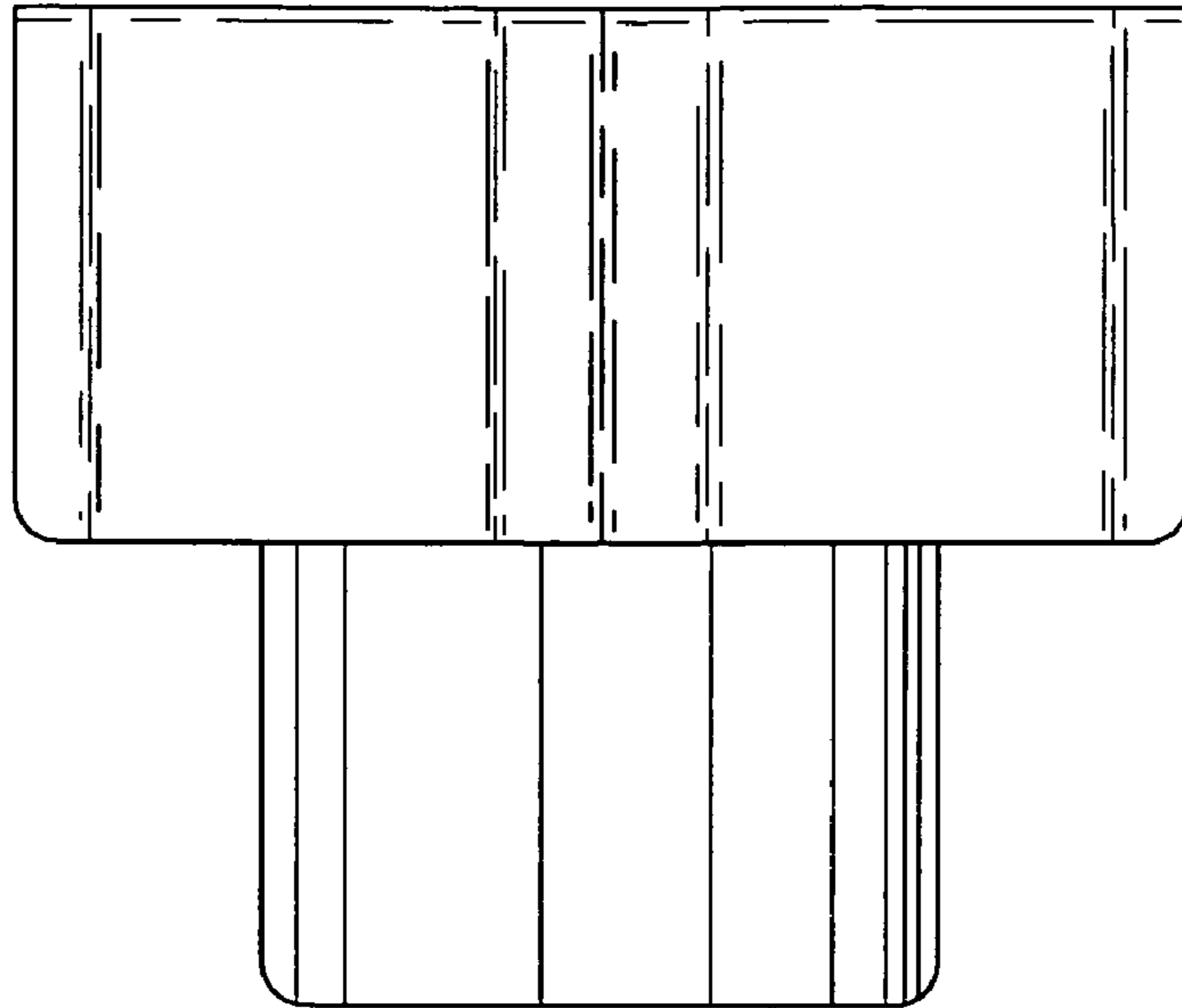


FIG. 6

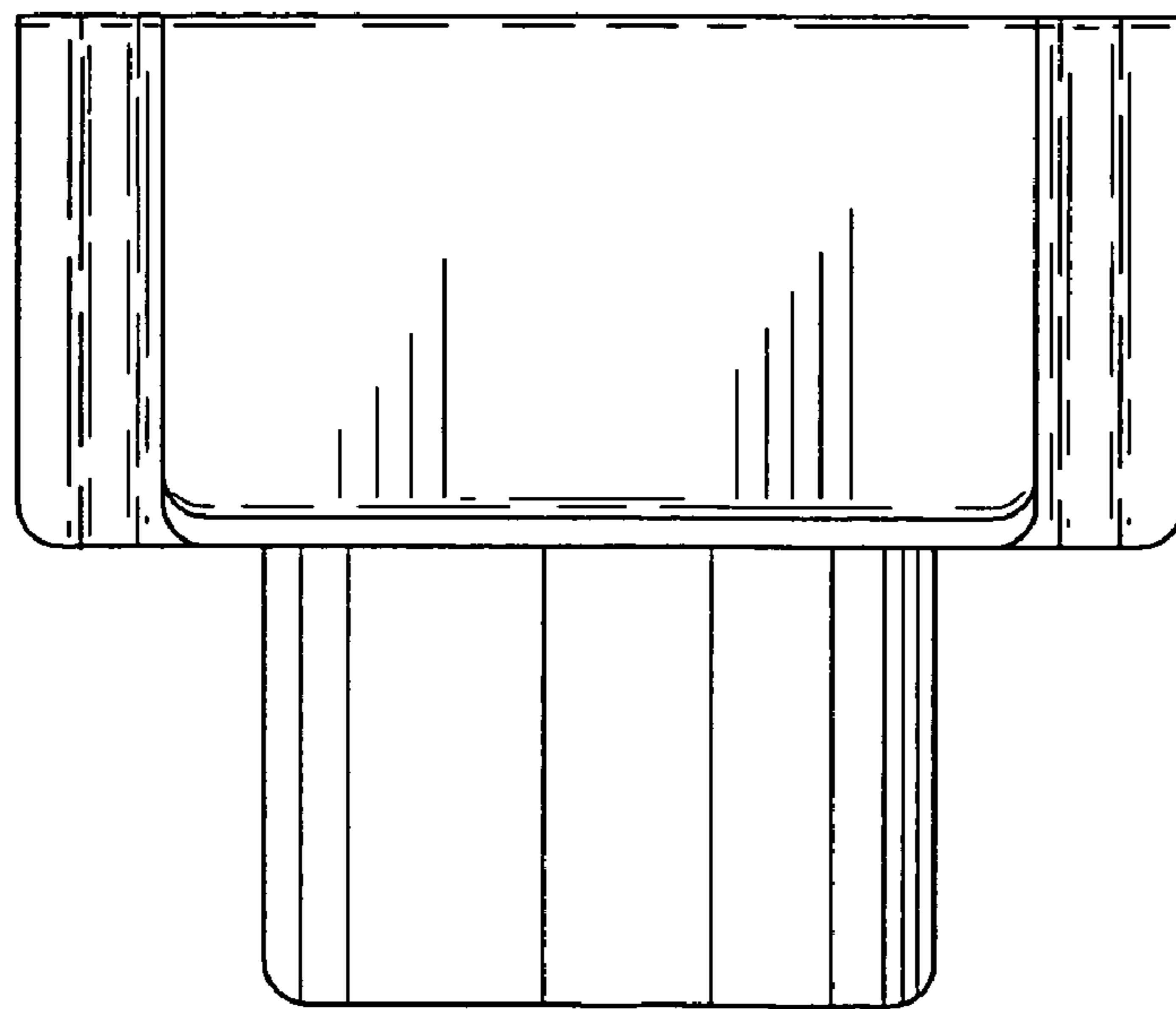


FIG. 7

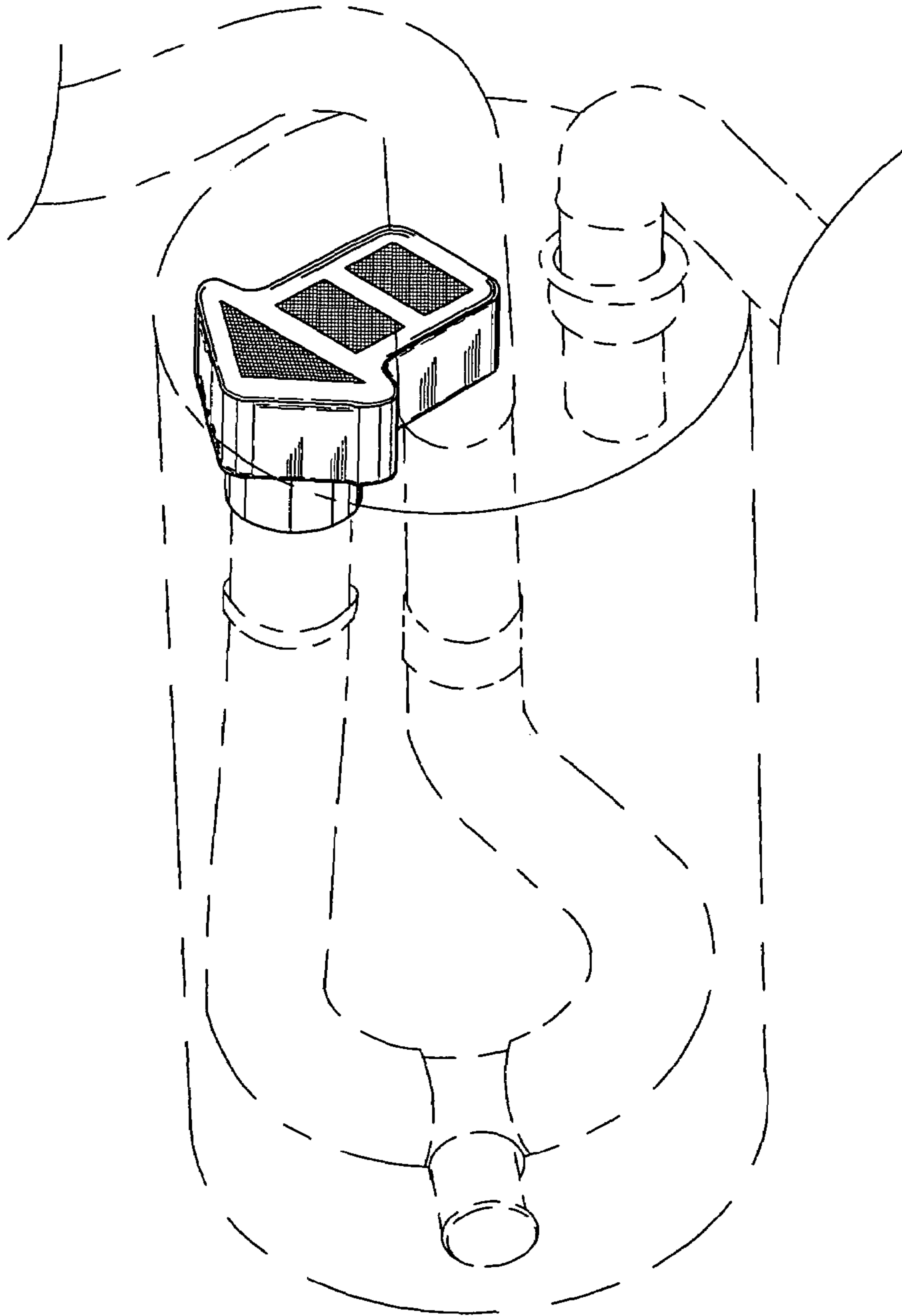


FIG. 8