



US00D593923S

(12) **United States Design Patent**  
**Bratec et al.**

(10) **Patent No.:** **US D593,923 S**  
(45) **Date of Patent:** **\*\* Jun. 9, 2009**

(54) **WINDSHIELD WIPER**

(75) Inventors: **Hervé Bratec**, Wilsele (BE); **Christian Wilms**, Koersel-Beringen (BE)

(73) Assignee: **Robert Bosch GmbH**, Stuttgart (DE)

(\*\*) Term: **14 Years**

(21) Appl. No.: **29/330,750**

(22) Filed: **Jan. 14, 2009**

(30) **Foreign Application Priority Data**

Sep. 22, 2008 (EM) ..... 001007058

(51) **LOC (9) Cl.** ..... **12-16**

(52) **U.S. Cl.** ..... **D12/219**

(58) **Field of Classification Search** ..... D12/219-220;  
15/250.001, 250.4, 250.361, 250.19, 250.48,  
15/250.03, 250.31-250.33, 250.351, 250.38,  
15/250.201, 250.451, 250.458, 250.04, 250.07,  
15/250.44

See application file for complete search history.

(56) **References Cited**

**U.S. PATENT DOCUMENTS**

D379,613 S \* 6/1997 Chen ..... D12/219  
D443,854 S \* 6/2001 De Block ..... D12/219  
D511,735 S \* 11/2005 Aoyama et al. .... D12/219

D524,223 S \* 7/2006 Nakano et al. .... D12/219  
D556,667 S \* 12/2007 Kim ..... D12/219  
D564,434 S \* 3/2008 Claes ..... D12/220  
D564,955 S \* 3/2008 Claes ..... D12/220  
2006/0191093 A1 \* 8/2006 Boland et al. .... 15/250.32  
2007/0226938 A1 \* 10/2007 Yon ..... 15/250.04  
2008/0078051 A1 \* 4/2008 Herring et al. .... 15/250.001

\* cited by examiner

*Primary Examiner*—Caron Veynar

*Assistant Examiner*—Katrina A Kile

(74) *Attorney, Agent, or Firm*—Victor A. Henzi

(57) **CLAIM**

The ornamental design for a windshield wiper, as shown and described.

**DESCRIPTION**

FIG. 1 is a top left front perspective view of the windshield wiper;

FIG. 2 is a left elevational view thereof;

FIG. 3 is a top plan view thereof;

FIG. 4 is a right elevational view thereof;

FIG. 5 is a bottom plan view thereof;

FIG. 6 is a rear elevational view thereof; and,

FIG. 7 is a front elevational view thereof.

**1 Claim, 6 Drawing Sheets**

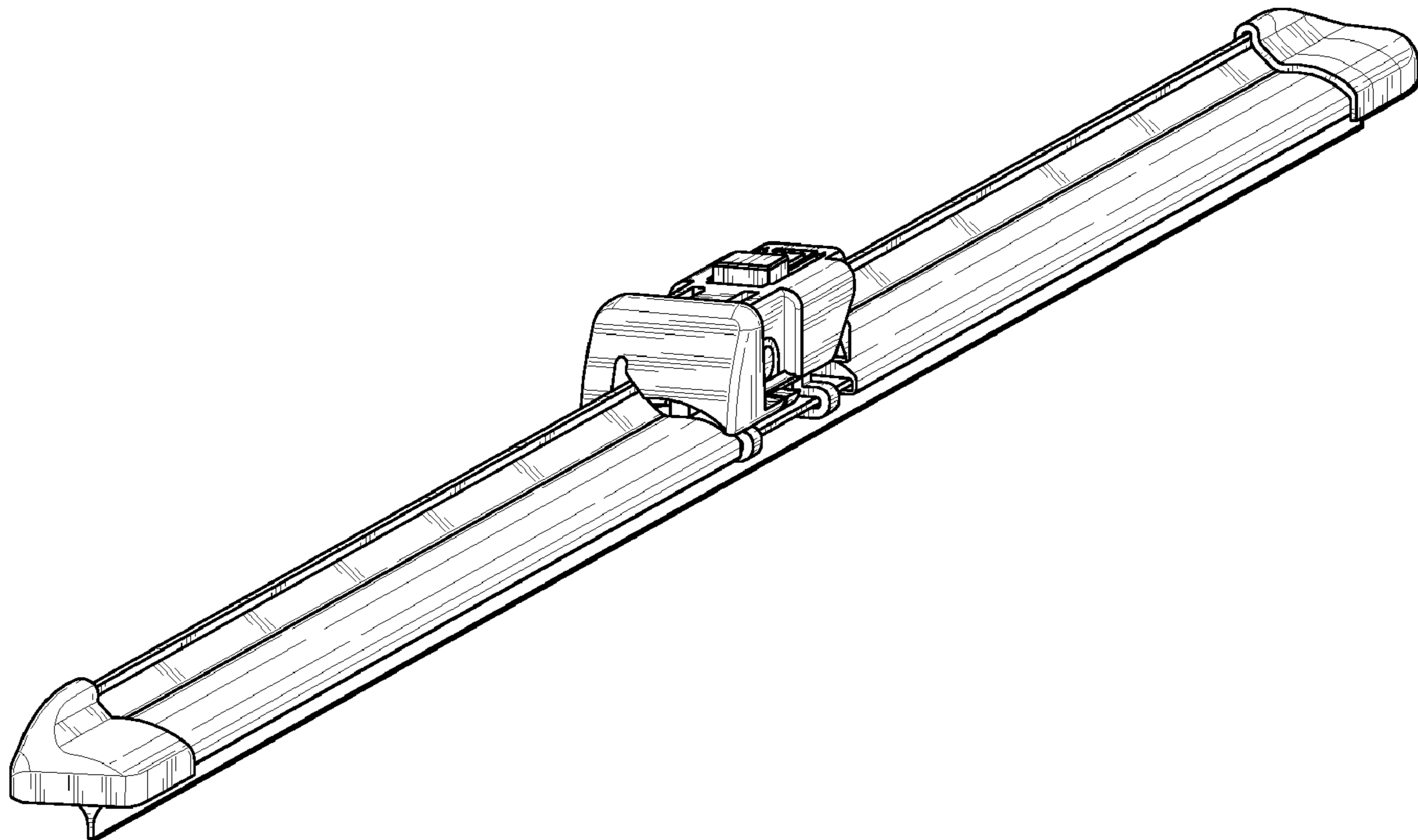
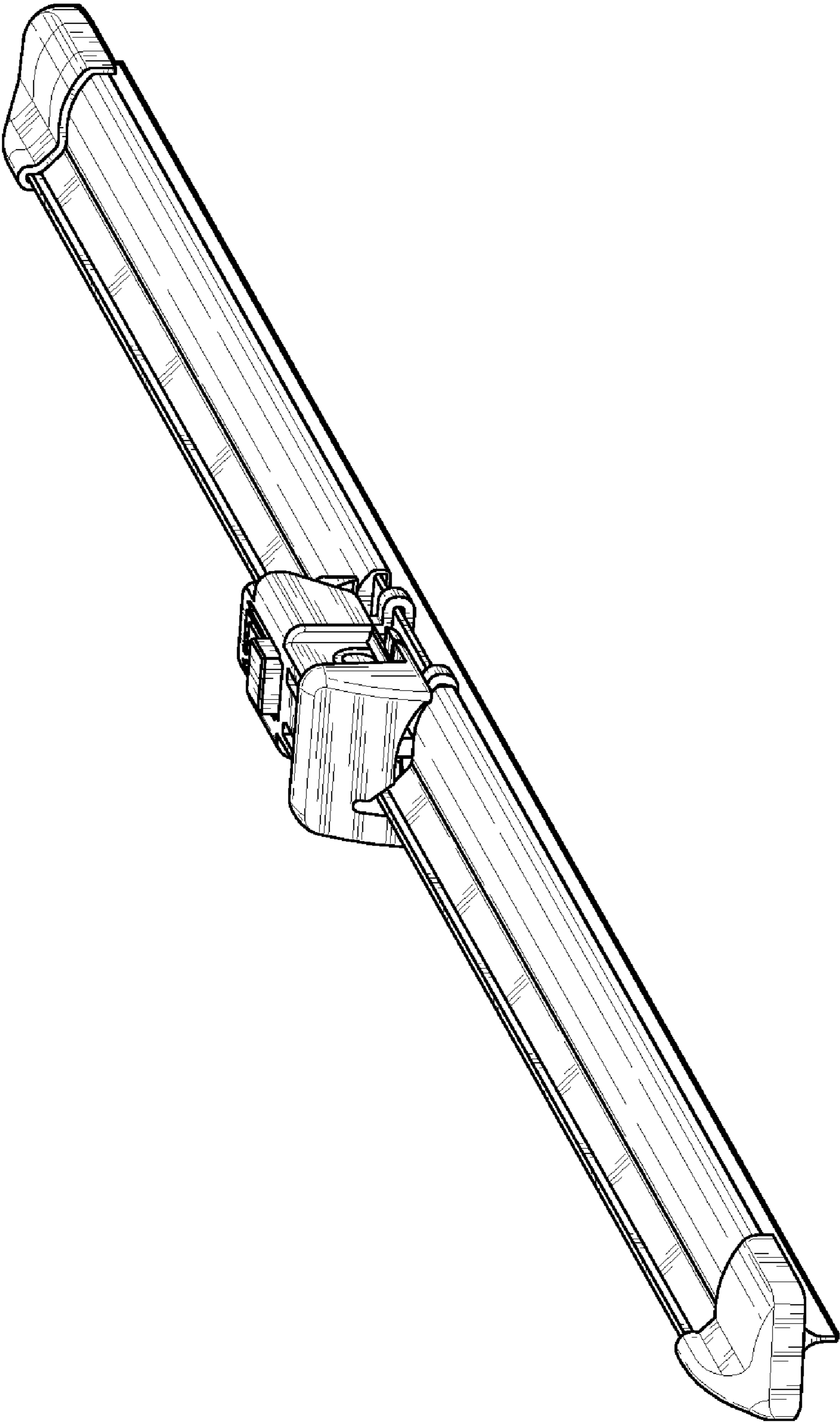


Fig. 1



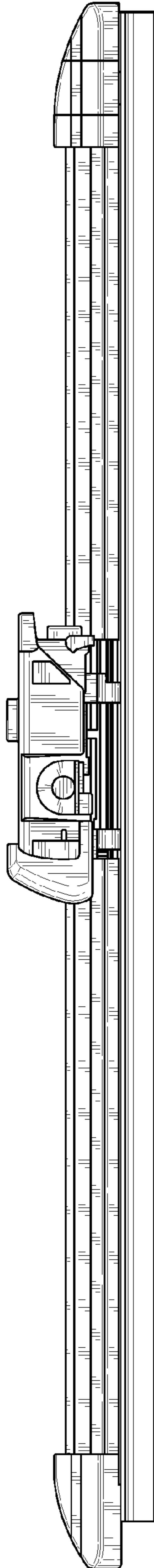


Fig. 2

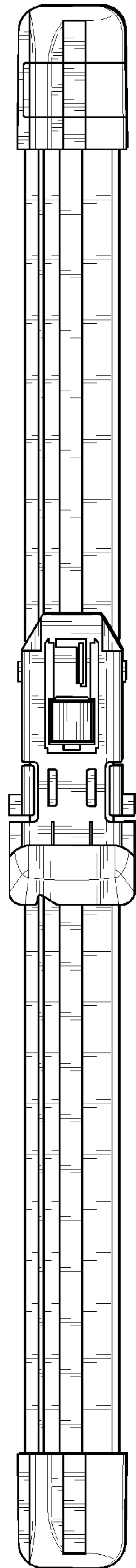


Fig. 3

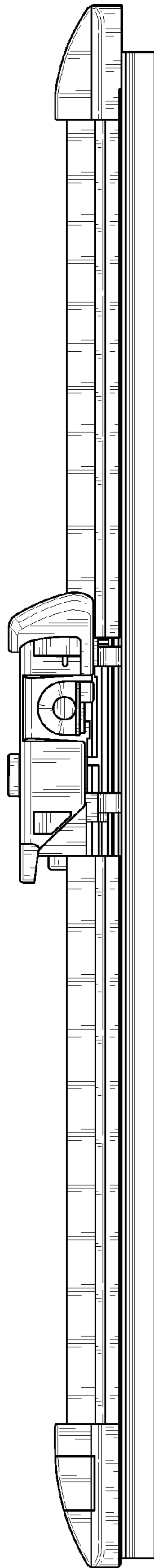


Fig. 4

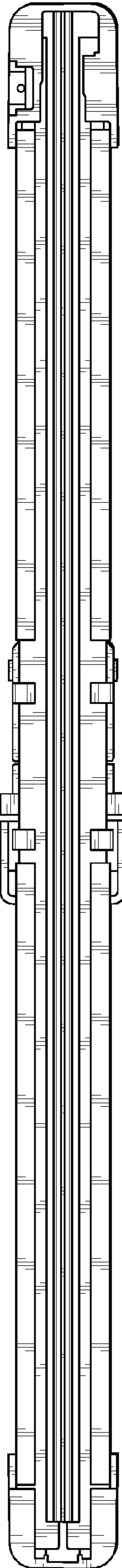
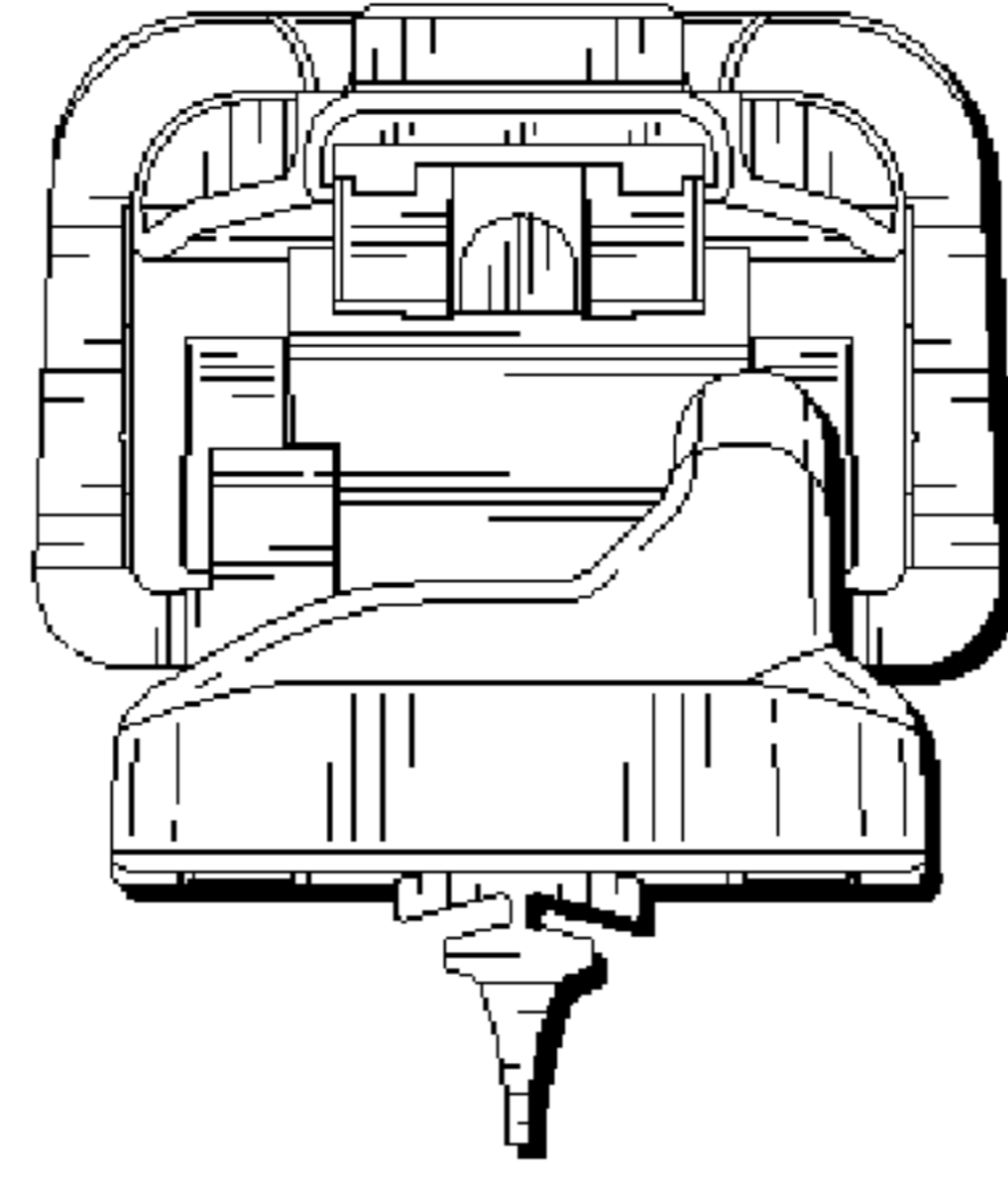
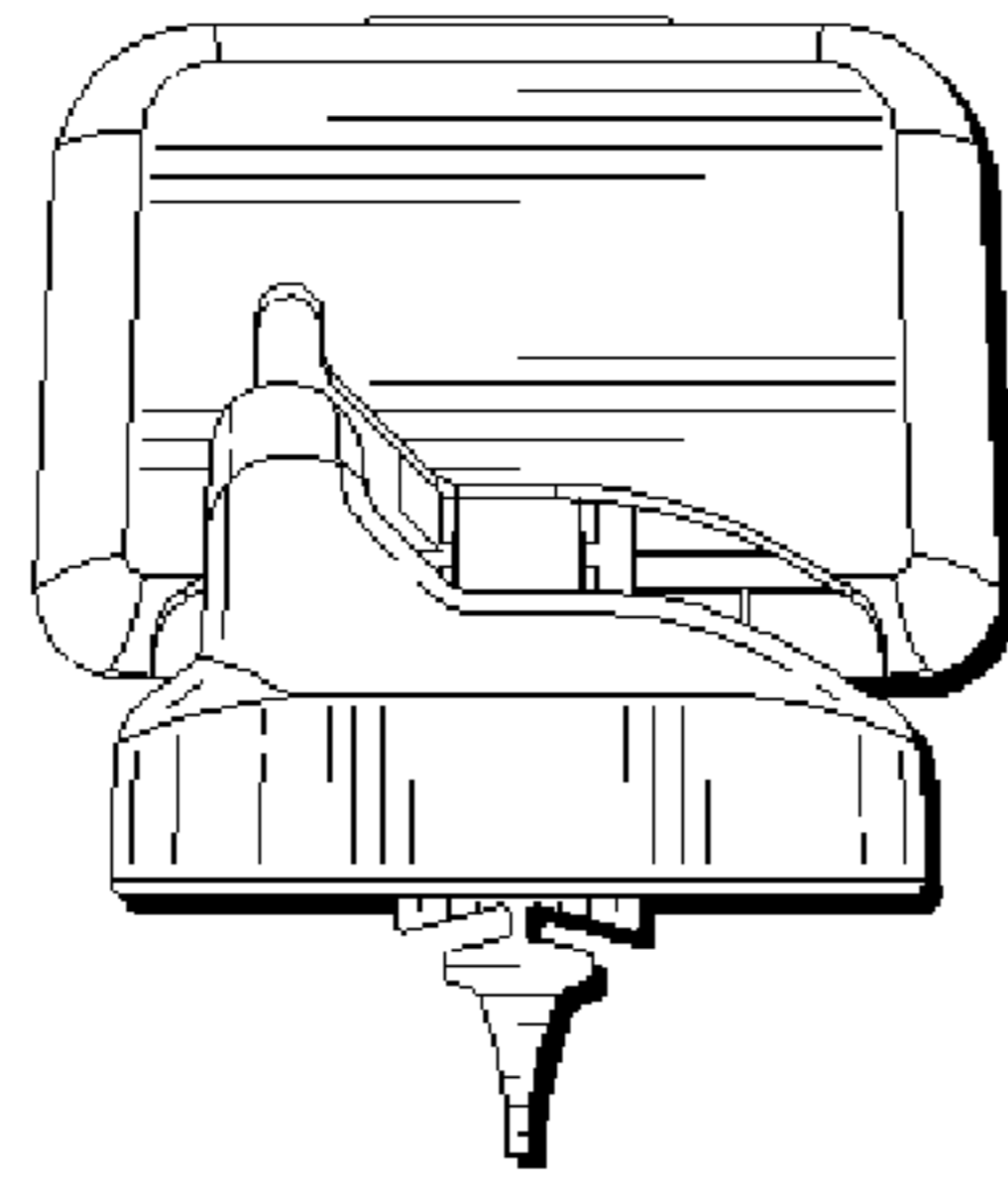


Fig. 5



**Fig. 6**



**Fig. 7**