



US00D593922S

(12) **United States Design Patent**
Blasi

(10) **Patent No.:** **US D593,922 S**
(45) **Date of Patent:** **** Jun. 9, 2009**

(54) **WHEEL OR WHEEL COVER**

(75) Inventor: **Juliane Blasi**, Munich (DE)

(73) Assignee: **Bayerische Motoren Werke Aktiengesellschaft**, Munich (DE)

(**) Term: **14 Years**

(21) Appl. No.: **29/309,912**

(22) Filed: **Nov. 7, 2008**

(30) **Foreign Application Priority Data**

May 9, 2008 (DE) 402008002370

(51) **LOC (9) Cl.** **12-16**

(52) **U.S. Cl.** **D12/211**

(58) **Field of Classification Search** D12/204-213;
301/37.101, 64.101, 65, 64.201
See application file for complete search history.

(56) **References Cited**

U.S. PATENT DOCUMENTS

D421,953 S *	3/2000	Sims et al.	D12/211
D499,686 S *	12/2004	Song	D12/211
D515,493 S *	2/2006	Schaefers	D12/211
D527,330 S *	8/2006	Madden	D12/211
D527,333 S	8/2006	Blasi		
D528,962 S	9/2006	Blasi		

D533,128 S *	12/2006	Aydin	D12/209
D536,653 S *	2/2007	Rasmussen et al.	D12/211
D583,742 S *	12/2008	Juergens et al.	D12/211
D585,010 S *	1/2009	Pollmann	D12/211

* cited by examiner

Primary Examiner—Stacia Cadmus

(74) *Attorney, Agent, or Firm*—Crowell & Moring LLP

(57) **CLAIM**

The ornamental design for a wheel or wheel cover, as shown and described.

DESCRIPTION

This application is related to the following co-pending applications:

Ser. No. 29/270,303, filed Dec. 21, 2006;

Ser. No. 29/321,112, filed Jun. 11, 2008; and

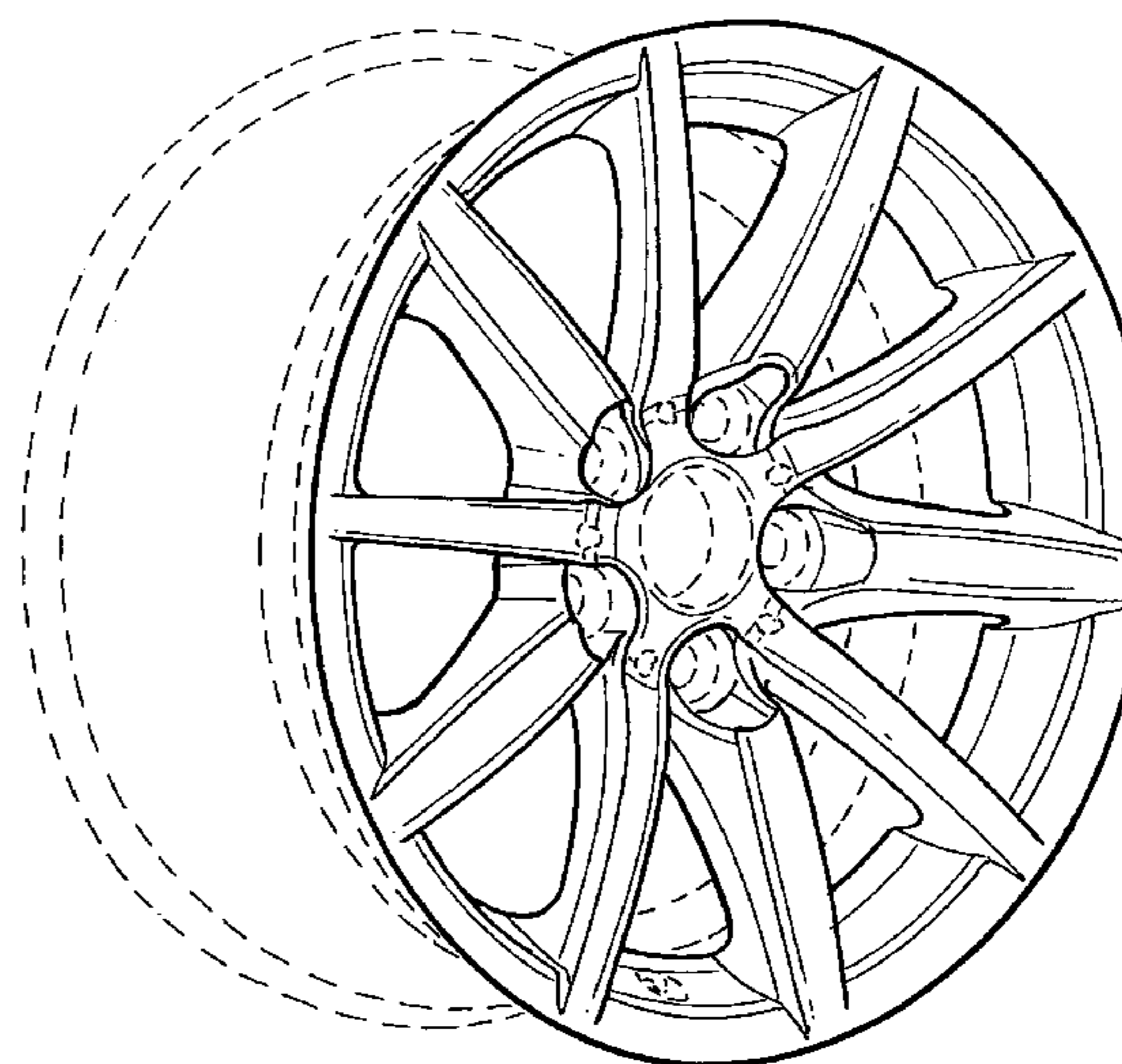
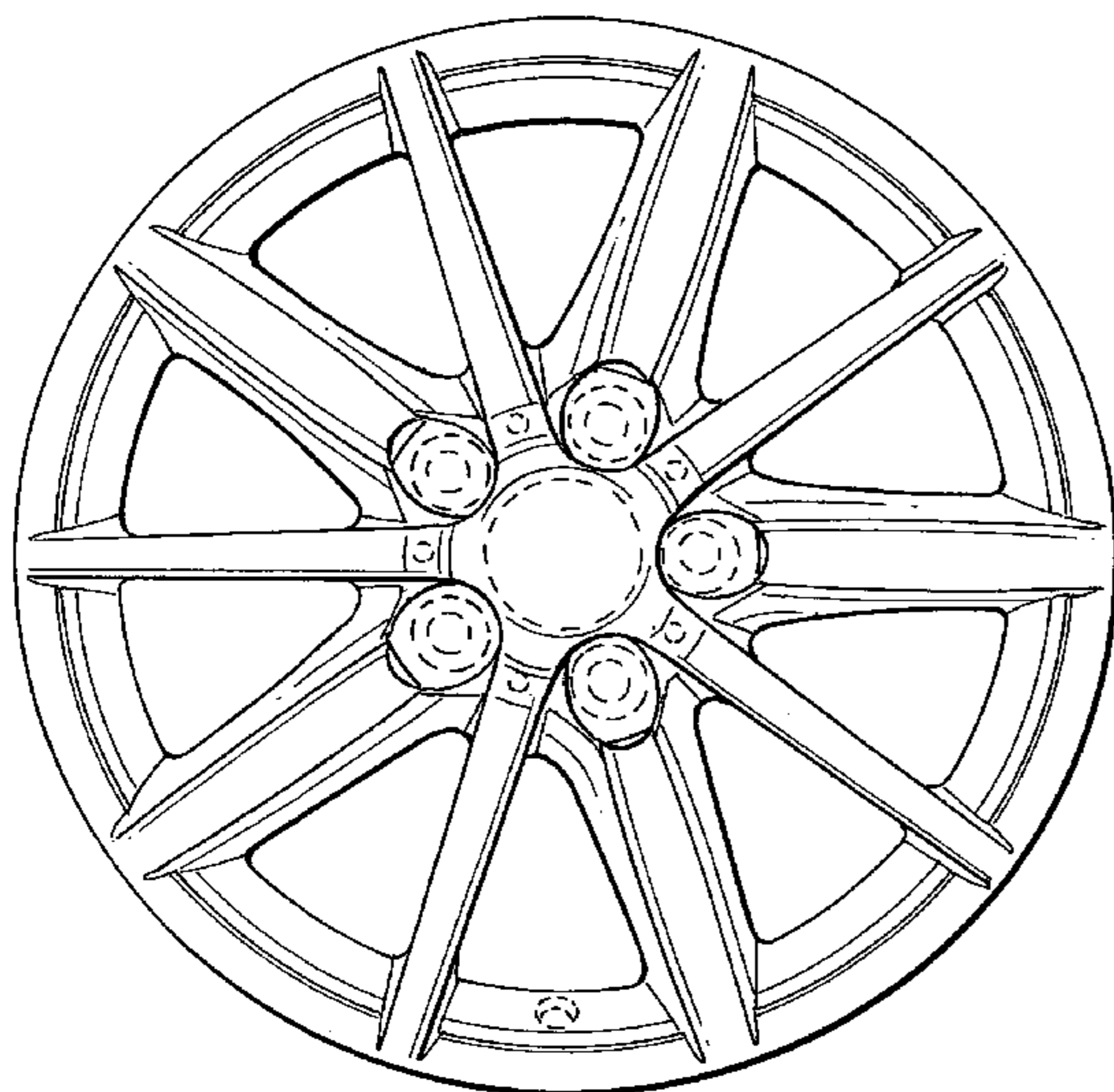
Ser. No. 29/309,063, filed Jun. 17, 2008.

FIG. 1 is a front view of a wheel or wheel cover according to my novel design; and,

FIG. 2 is a perspective view thereof.

The broken line showing of the rear of the rim, the bolt holes and the center cap is included for the purpose of illustrating environment and forms no part of the claimed design.

1 Claim, 1 Drawing Sheet



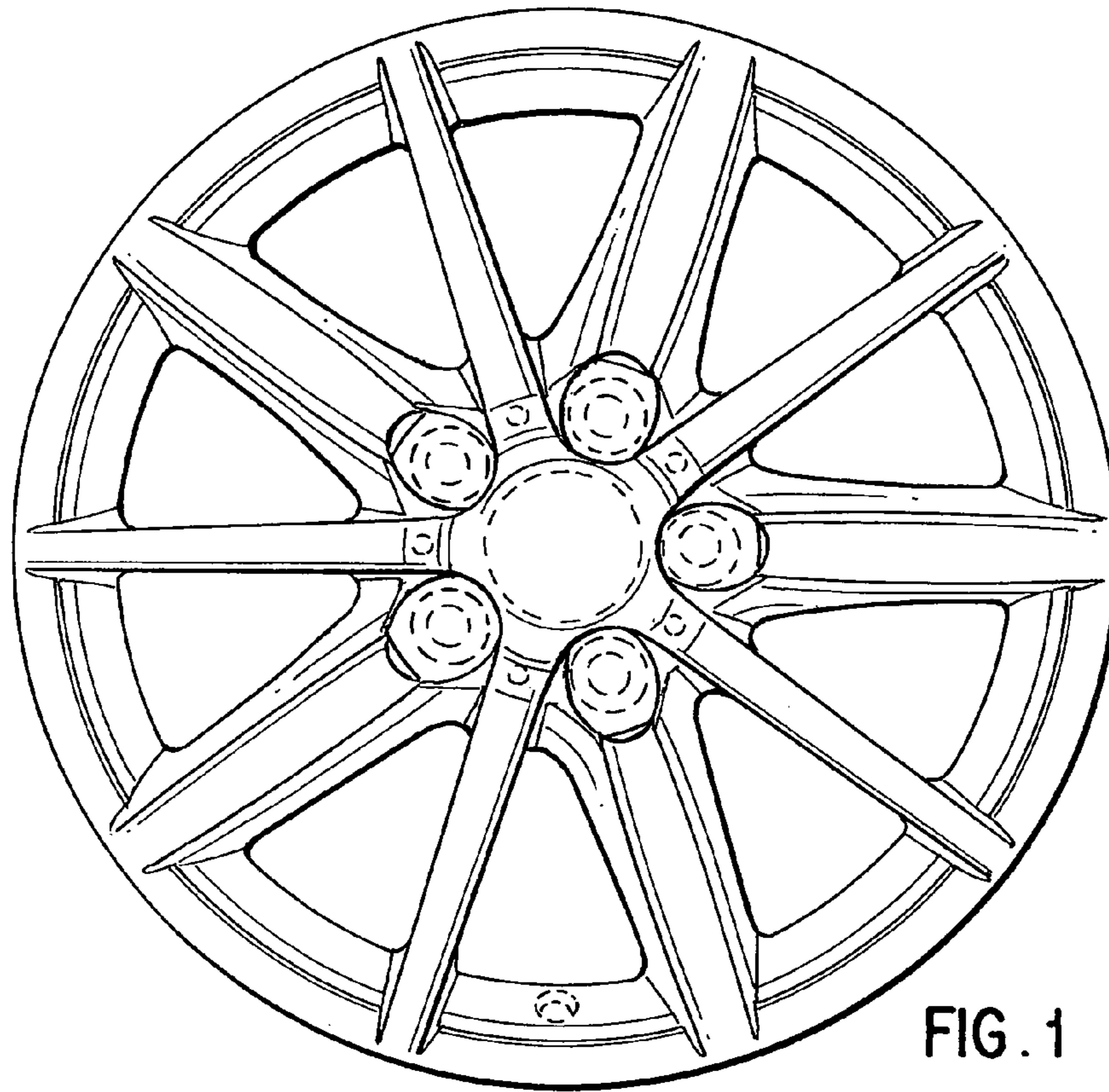


FIG. 1

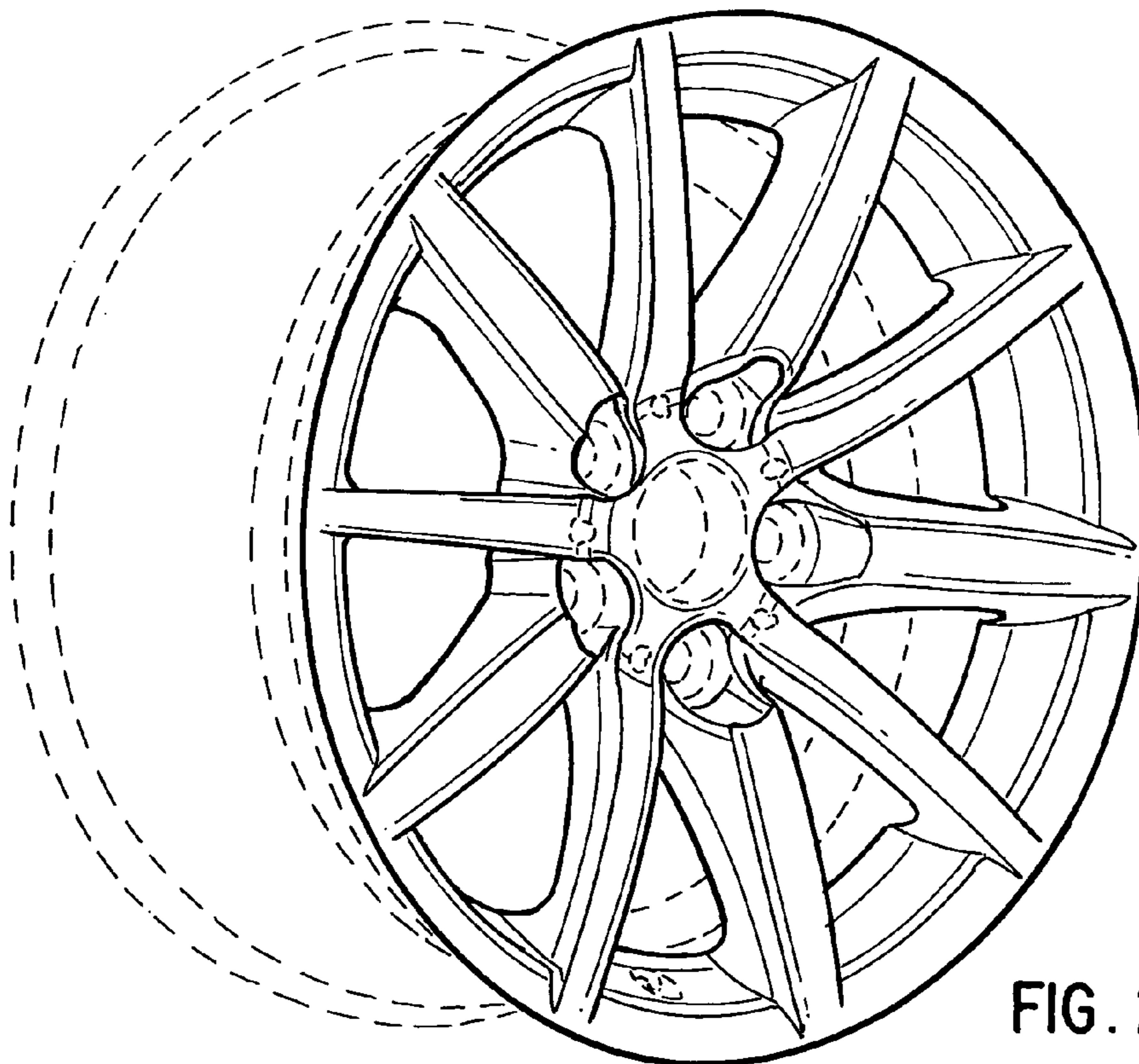


FIG. 2