



US00D593921S

(12) **United States Design Patent**
Miyazawa

(10) **Patent No.:** **US D593,921 S**
(45) **Date of Patent:** **** Jun. 9, 2009**

(54) **WHEEL FOR AUTOMOBILES**

(75) Inventor: **Takuya Miyazawa, Wako (JP)**

(73) Assignee: **Honda Motor Co., Ltd., Tokyo (JP)**

(**) Term: **14 Years**

(21) Appl. No.: **29/290,581**

(22) Filed: **Dec. 18, 2007**

(30) **Foreign Application Priority Data**

Jun. 19, 2007 (JP) 2007-016251

(51) **LOC (9) Cl.** **12-16**

(52) **U.S. Cl.** **D12/211**

(58) **Field of Classification Search** D12/204–213;
301/37.101, 64.101, 65

See application file for complete search history.

(56) **References Cited**

U.S. PATENT DOCUMENTS

D503,370 S *	3/2005	Nordmann	D12/211
D503,915 S *	4/2005	Markefka	D12/209
D503,918 S *	4/2005	Fahr-Becker	D12/211
D508,671 S *	8/2005	Baum	D12/209
D513,487 S *	1/2006	Wachtler	D12/209
D519,902 S *	5/2006	Pfeiffer	D12/209
D524,712 S *	7/2006	Pfeiffer	D12/211
D525,577 S *	7/2006	Laengerer	D12/211
D525,928 S *	8/2006	Pfeiffer	D12/209
D525,931 S *	8/2006	Chen	D12/211
D526,268 S *	8/2006	Pfeiffer	D12/211

D527,325 S *	8/2006	Nagashima	D12/209
D532,734 S *	11/2006	Hieke	D12/209
D536,294 S *	2/2007	Laengerer	D12/211
D537,027 S *	2/2007	Hieke	D12/211
D538,216 S *	3/2007	Sycha	D12/209
D541,204 S *	4/2007	Huet	D12/211
D555,566 S *	11/2007	Hlinovsky	D12/209
D572,646 S *	7/2008	Hieke	D12/209
D578,949 S *	10/2008	Hieke	D12/211
D581,852 S *	12/2008	Scheu	D12/211
D581,853 S *	12/2008	Rak	D12/211
D582,329 S *	12/2008	Hieke	D12/209
D585,351 S *	1/2009	Hieke	D12/209
D585,352 S *	1/2009	Scheu	D12/211

* cited by examiner

Primary Examiner—Elizabeth A Albert

Assistant Examiner—Kelley A Donnelly

(74) *Attorney, Agent, or Firm*—Birch, Stewart, Kolasch & Birch, LLP

(57) **CLAIM**

The ornamental design for a wheel for automobiles, as shown and described.

DESCRIPTION

FIG. 1 is a front view of a wheel for automobiles showing my new design; and,

FIG. 2 is a front right perspective view thereof.

The portions in the drawings shown in dashed lines are for environmental purposes and form no part of the claimed design.

1 Claim, 1 Drawing Sheet

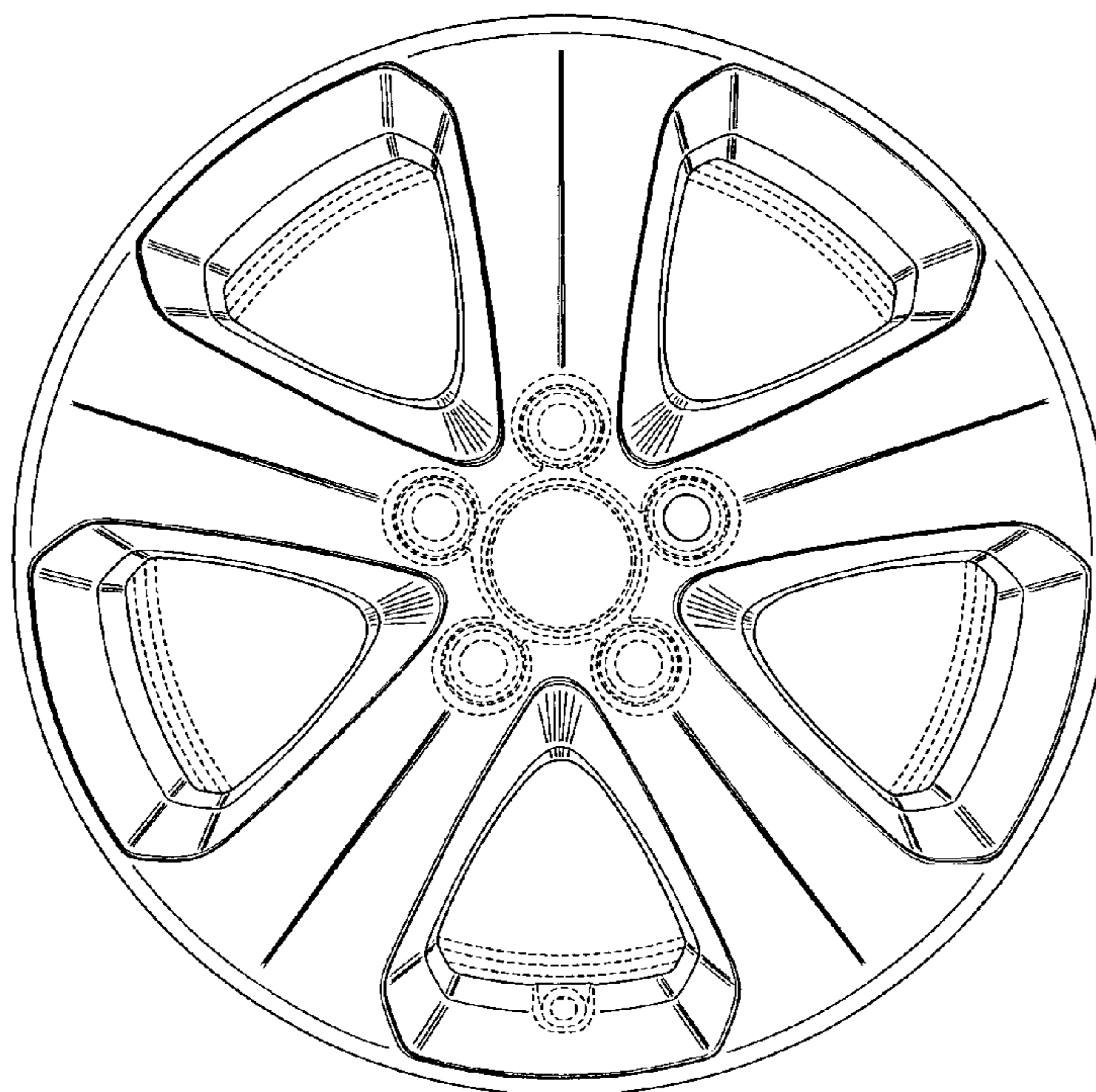


FIG.1

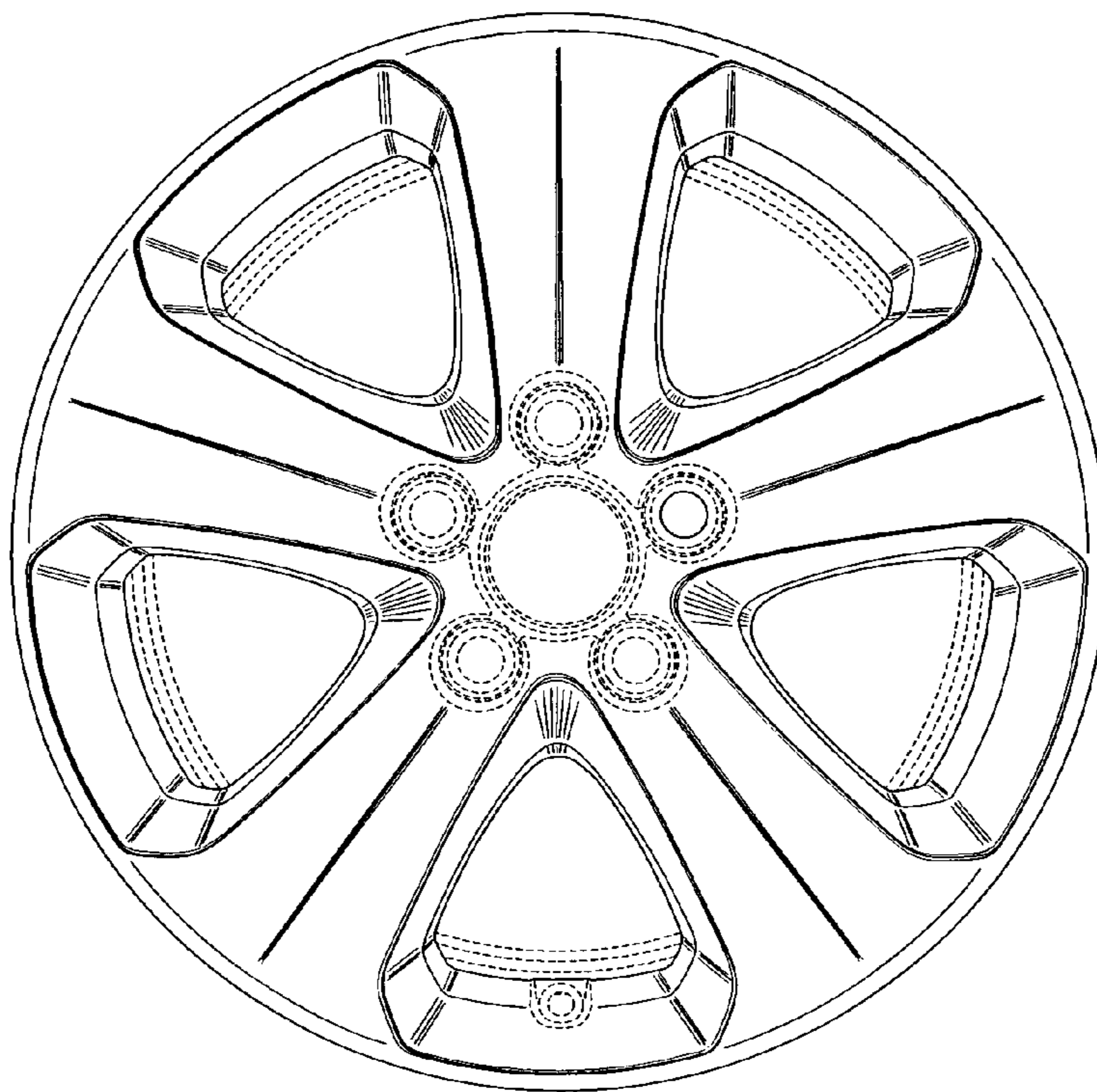


FIG.2

