



US00D593920S

(12) **United States Design Patent**
Juergens et al.

(10) **Patent No.:** **US D593,920 S**
(45) **Date of Patent:** **** Jun. 9, 2009**

(54) **WHEEL OR WHEEL COVER**

(75) Inventors: **Dirk Juergens**, Munich (DE); **Rainer Mueller**, Munich (DE); **Robert Powell**, Diessen (DE)

(73) Assignee: **Bayerische Motoren Werke Aktiengesellschaft**, Muenchen (DE)

(**) Term: **14 Years**

(21) Appl. No.: **29/309,909**

(22) Filed: **Nov. 7, 2008**

(30) **Foreign Application Priority Data**

May 9, 2008 (DE) 402008002370

(51) **LOC (9) Cl.** **12-16**

(52) **U.S. Cl.** **D12/209**

(58) **Field of Classification Search** D12/204–213;
301/37.101, 64.101, 65, 64.201
See application file for complete search history.

(56) **References Cited**

U.S. PATENT DOCUMENTS

- D458,572 S * 6/2002 Fitzgerald D12/209
- D471,851 S * 3/2003 McMath D12/209
- D474,139 S * 5/2003 Warming D12/209
- D477,264 S * 7/2003 Marji D12/209
- D487,881 S * 3/2004 Laengerer D12/209
- D491,124 S 6/2004 Rice
- D504,097 S 4/2005 Markefka
- D512,007 S 11/2005 Sze
- D516,488 S * 3/2006 Truebsbach D12/209
- D516,982 S * 3/2006 Gallert D12/209

- D517,968 S * 3/2006 Morioka D12/209
- D519,901 S * 5/2006 Panano D12/209
- D522,434 S 6/2006 Langer
- D524,213 S * 7/2006 Szavits D12/209
- D531,563 S * 11/2006 Martin D12/209
- D531,950 S * 11/2006 Huet D12/209
- D538,216 S * 3/2007 Sycha D12/209
- D540,238 S * 4/2007 Sycha D12/209
- D560,585 S * 1/2008 Blasi D12/209
- D582,331 S * 12/2008 Blasi D12/209
- D583,740 S * 12/2008 Frizzi D12/209

FOREIGN PATENT DOCUMENTS

EM 000883715-0001 4/2008

* cited by examiner

Primary Examiner—Stacia Cadmus

(74) *Attorney, Agent, or Firm*—Crowell & Moring LLP

(57) **CLAIM**

The ornamental design for a wheel or wheel cover, as shown and described.

DESCRIPTION

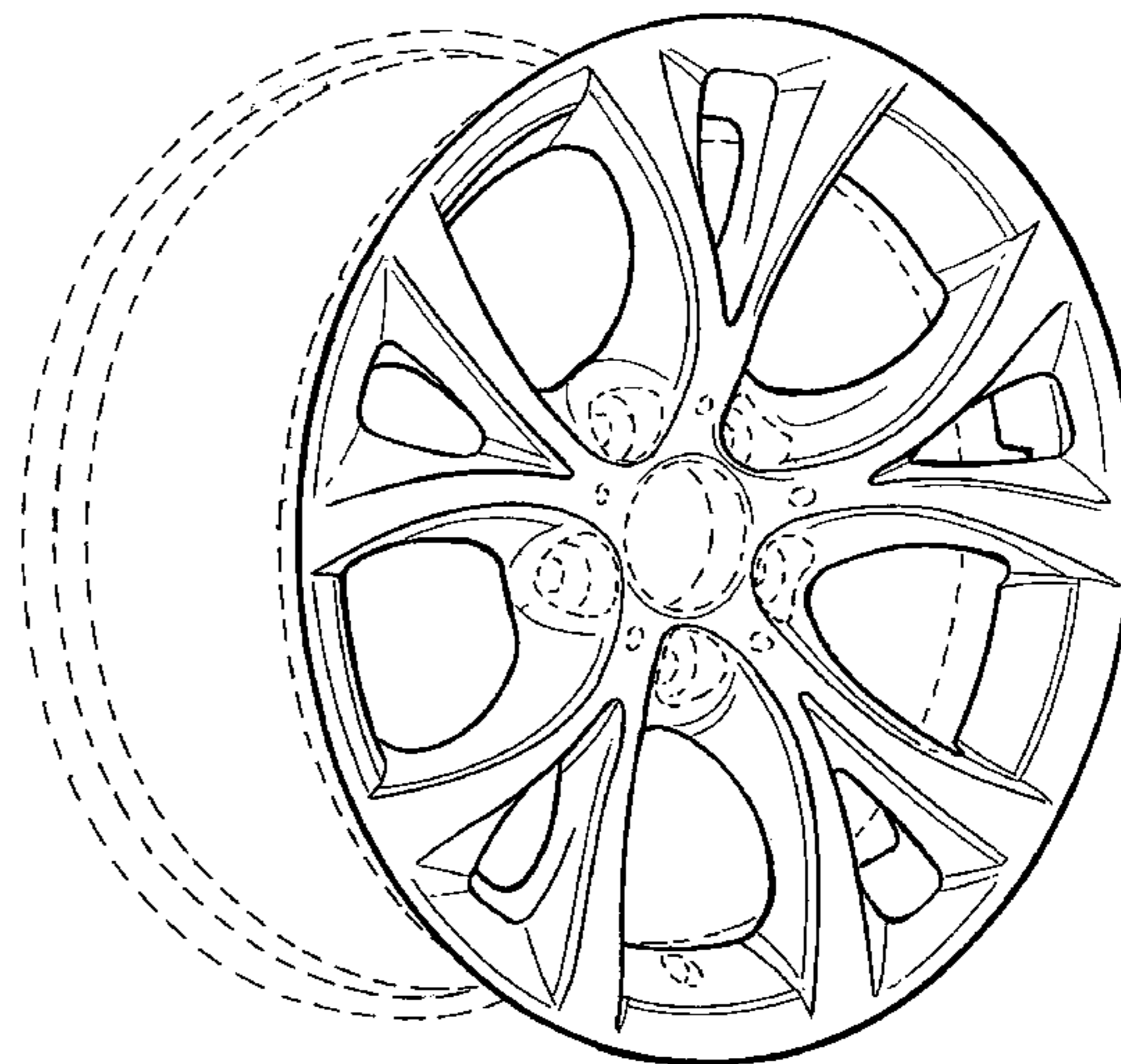
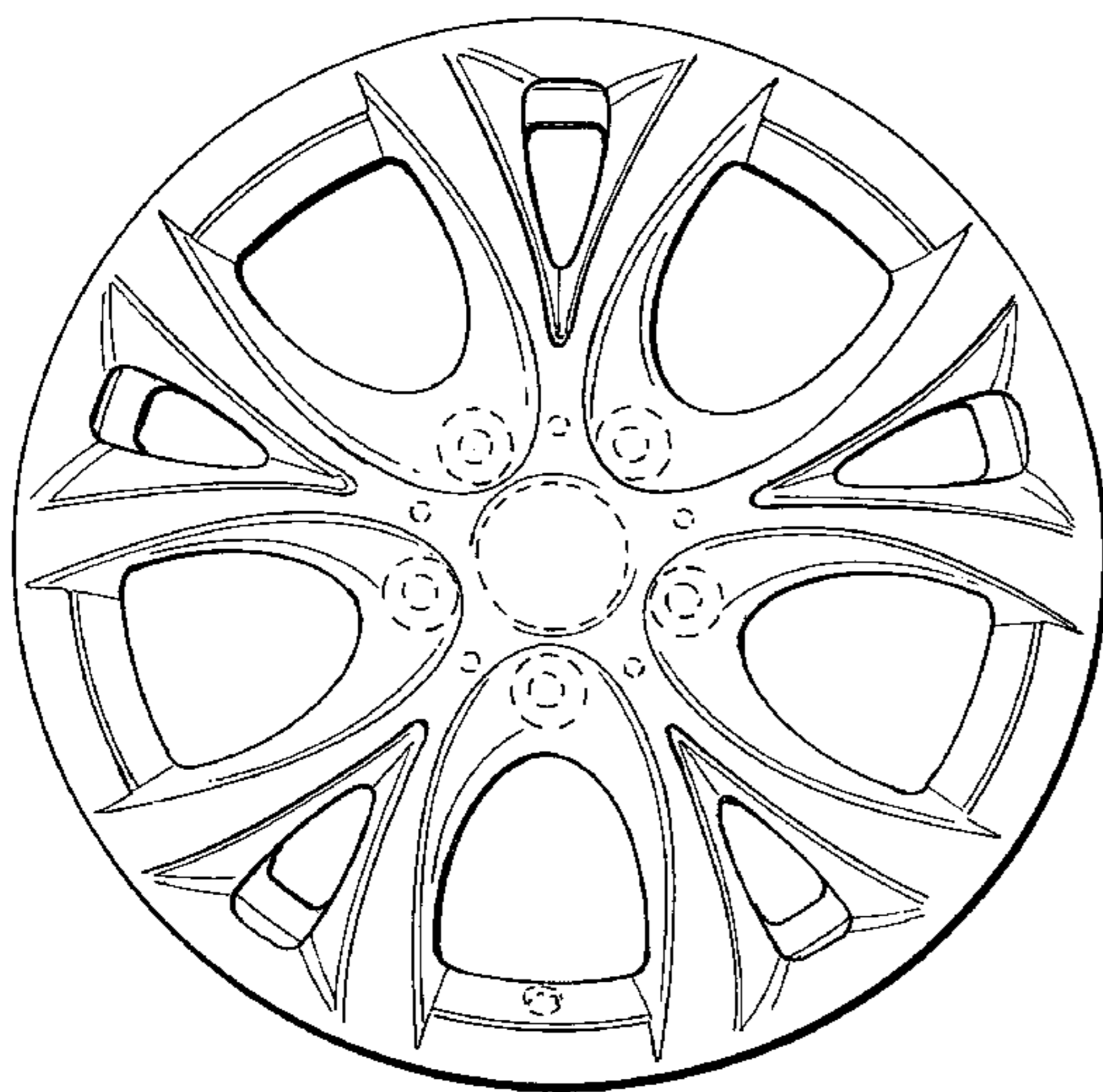
This application is related to co-pending application Ser. No. 29/300,831, filed May 20, 2008.

FIG. 1 is a front view of a wheel or wheel cover according to our novel design; and,

FIG. 2 is a perspective view thereof.

The broken line showing of the rear of the rim, the bolt holes and the center cap is included for the purpose of illustrating environment and forms no part of the claimed design.

1 Claim, 1 Drawing Sheet



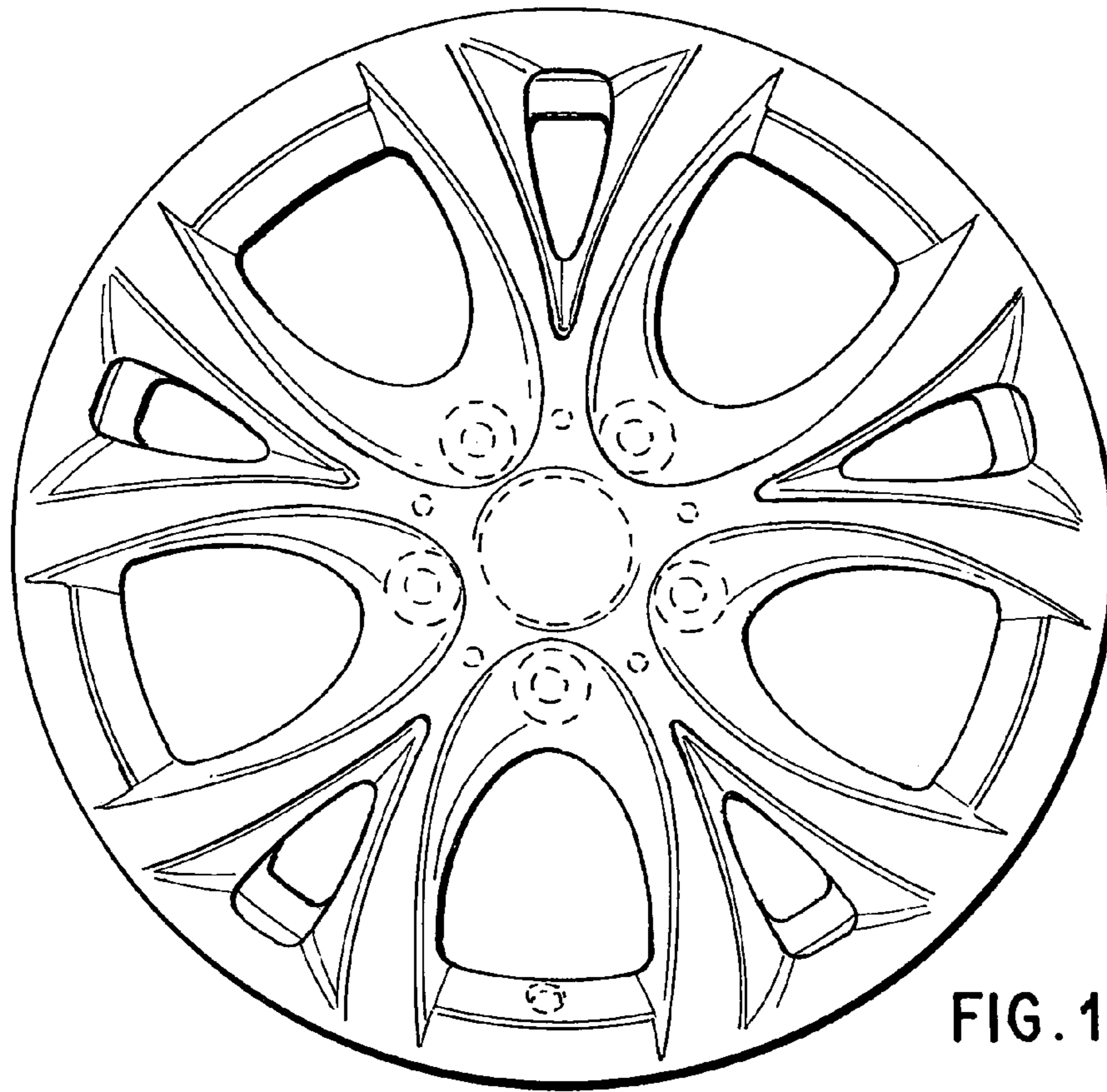


FIG. 1

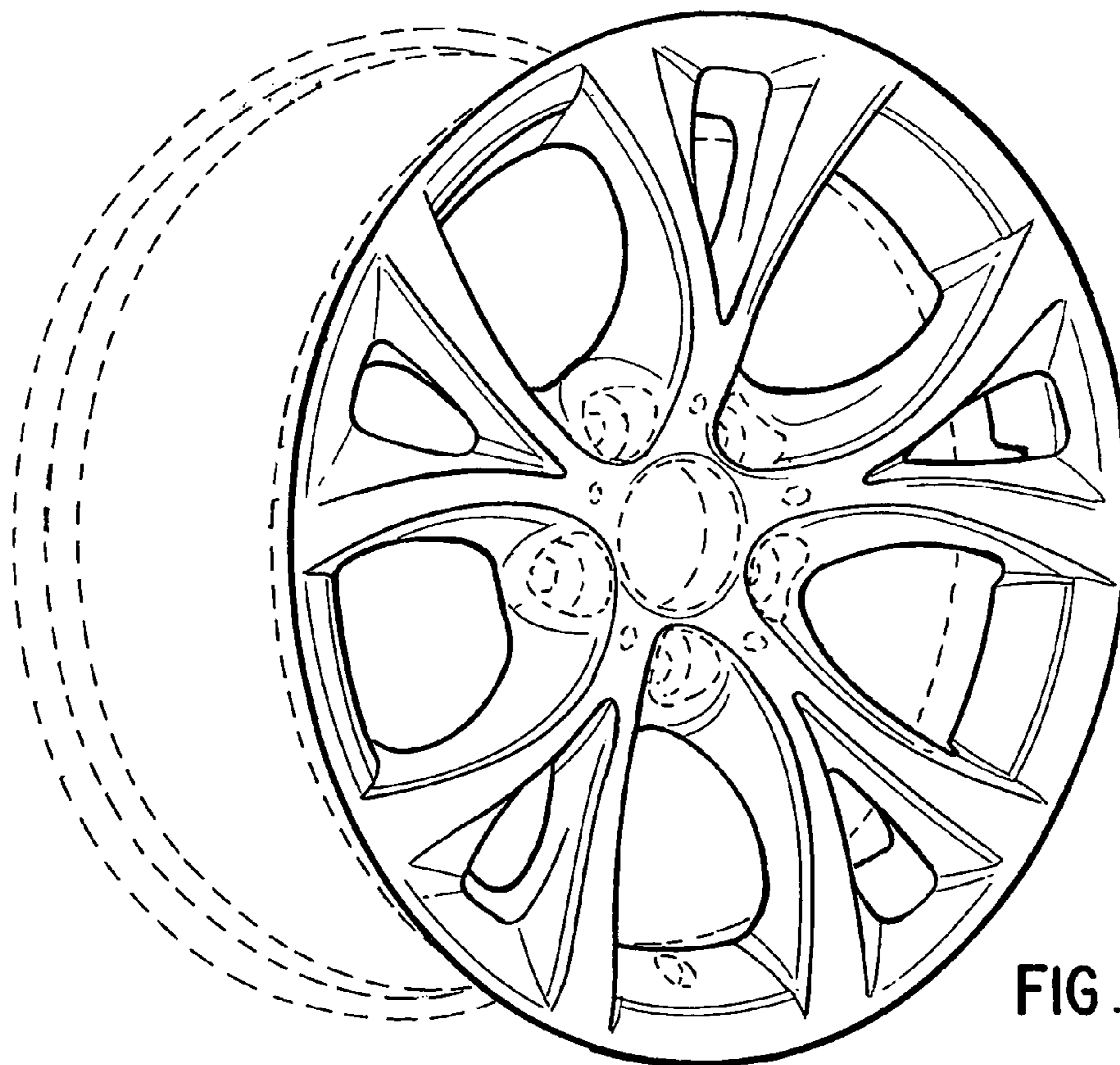


FIG. 2