



US00D593919S

(12) **United States Design Patent**
Pfeiffer

(10) **Patent No.:** **US D593,919 S**

(45) **Date of Patent:** **** Jun. 9, 2009**

(54) **FRONT FACE OF A VEHICLE WHEEL**

(75) Inventor: **Peter Pfeiffer**, Boeblingen (DE)

(73) Assignee: **Daimler AG**, Stuttgart (DE)

(**) Term: **14 Years**

(21) Appl. No.: **29/293,586**

(22) Filed: **Nov. 30, 2007**

(30) **Foreign Application Priority Data**

Jul. 16, 2007 (EM) 000757919

(51) **LOC (9) Cl.** **12-16**

(52) **U.S. Cl.** **D12/209**

(58) **Field of Classification Search** D12/204-213;
301/37.101, 64.101, 65

See application file for complete search history.

(56) **References Cited**

U.S. PATENT DOCUMENTS

- D513,487 S * 1/2006 Wachtler D12/209
- D522,949 S * 6/2006 Elmitt D12/211
- D522,952 S * 6/2006 Nakahara D12/211
- D528,060 S * 9/2006 Laengerer D12/209

- D530,657 S * 10/2006 Pfeiffer D12/211
- D531,565 S * 11/2006 Pfeiffer D12/211
- D533,826 S * 12/2006 Scheu D12/211
- D581,851 S * 12/2008 Scheu D12/211
- D587,177 S * 2/2009 Scheu D12/209

* cited by examiner

Primary Examiner—Elizabeth A Albert

Assistant Examiner—Kelley A Donnelly

(74) *Attorney, Agent, or Firm*—Crowell & Moring LLP

(57) **CLAIM**

The ornamental design for a front face of a vehicle wheel, as shown and described.

DESCRIPTION

FIG. 1 is a front view of a first embodiment of a front face of a vehicle wheel according to my design; and

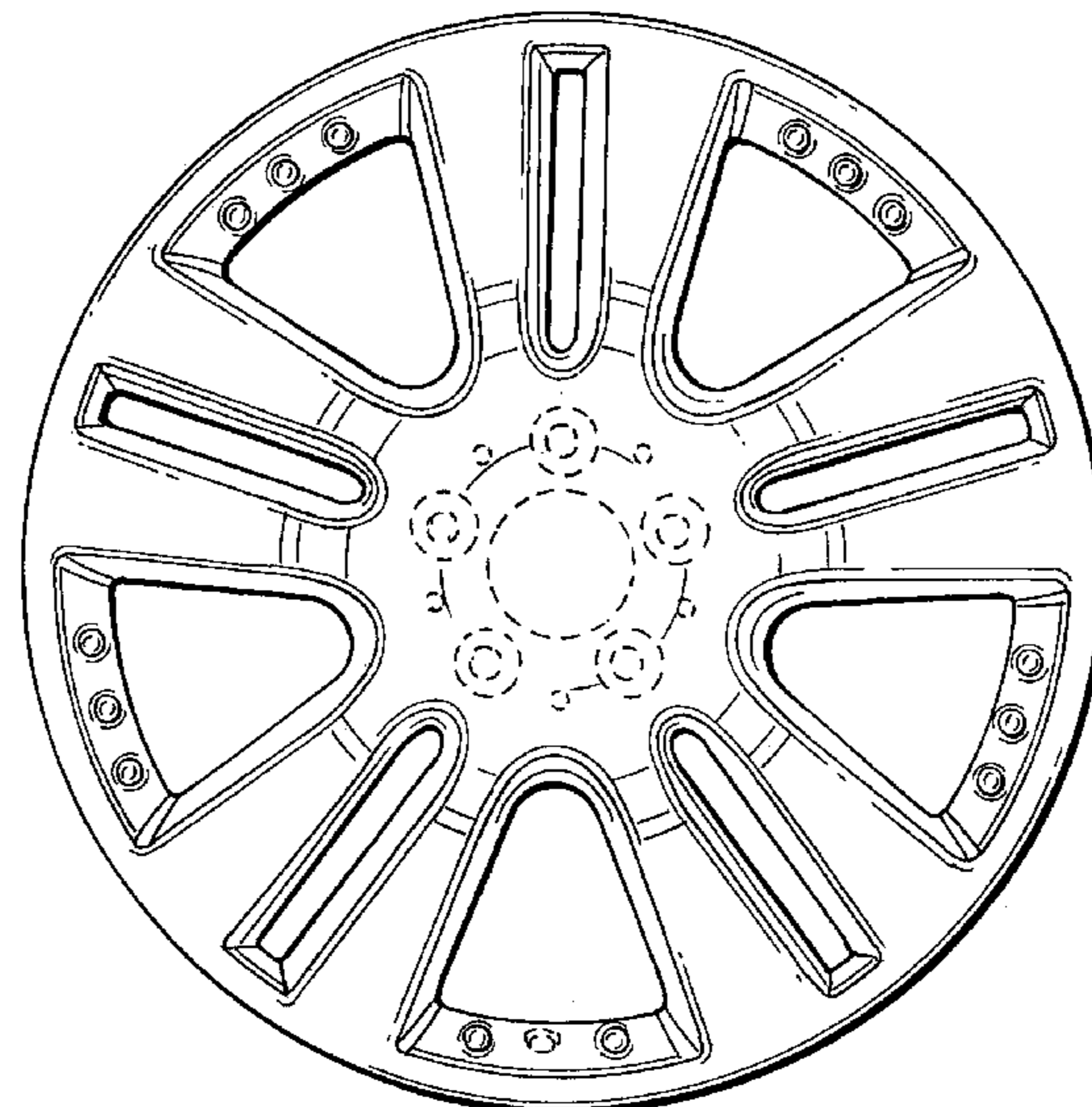
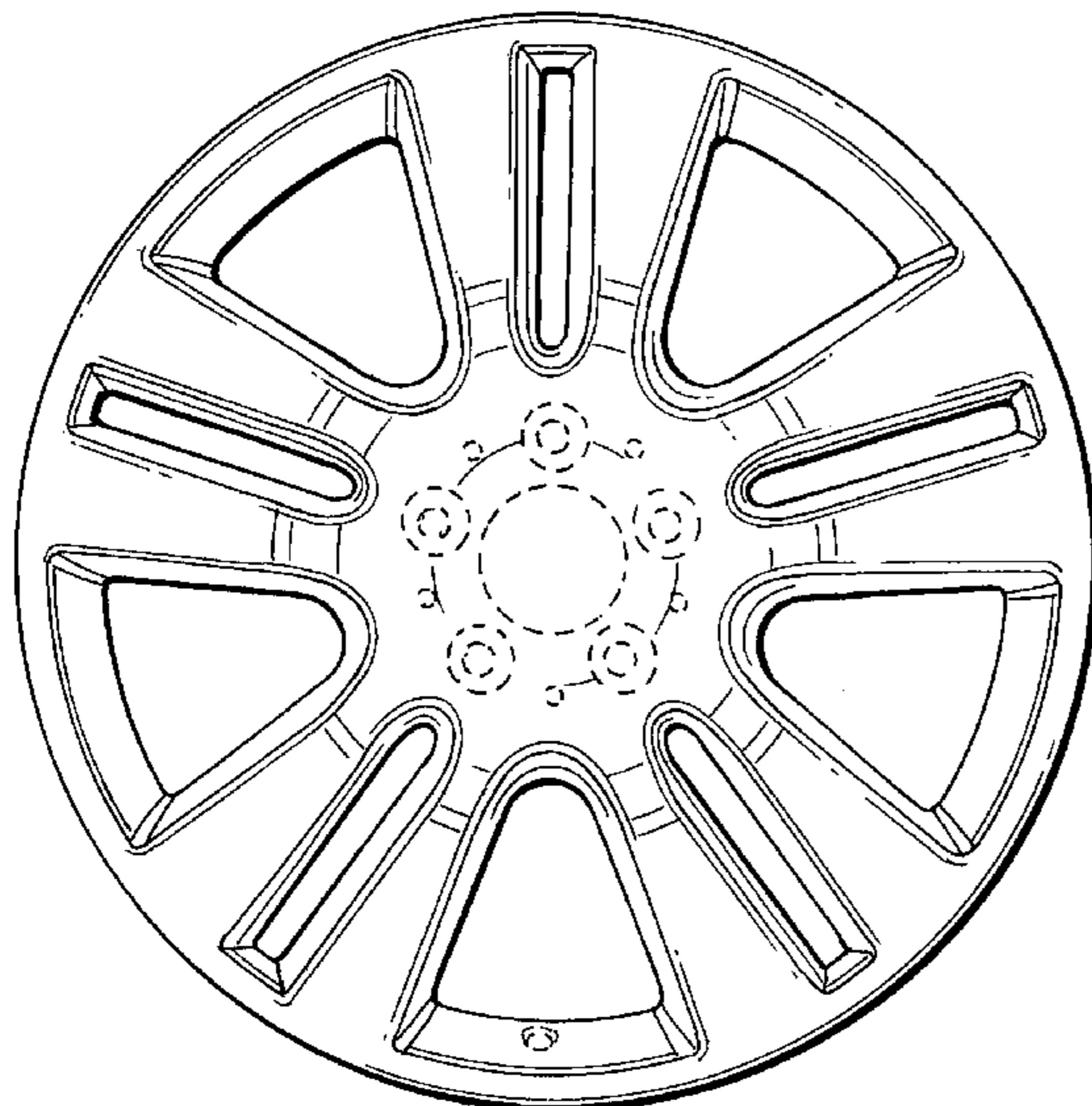
FIG. 2 is a perspective view thereof.

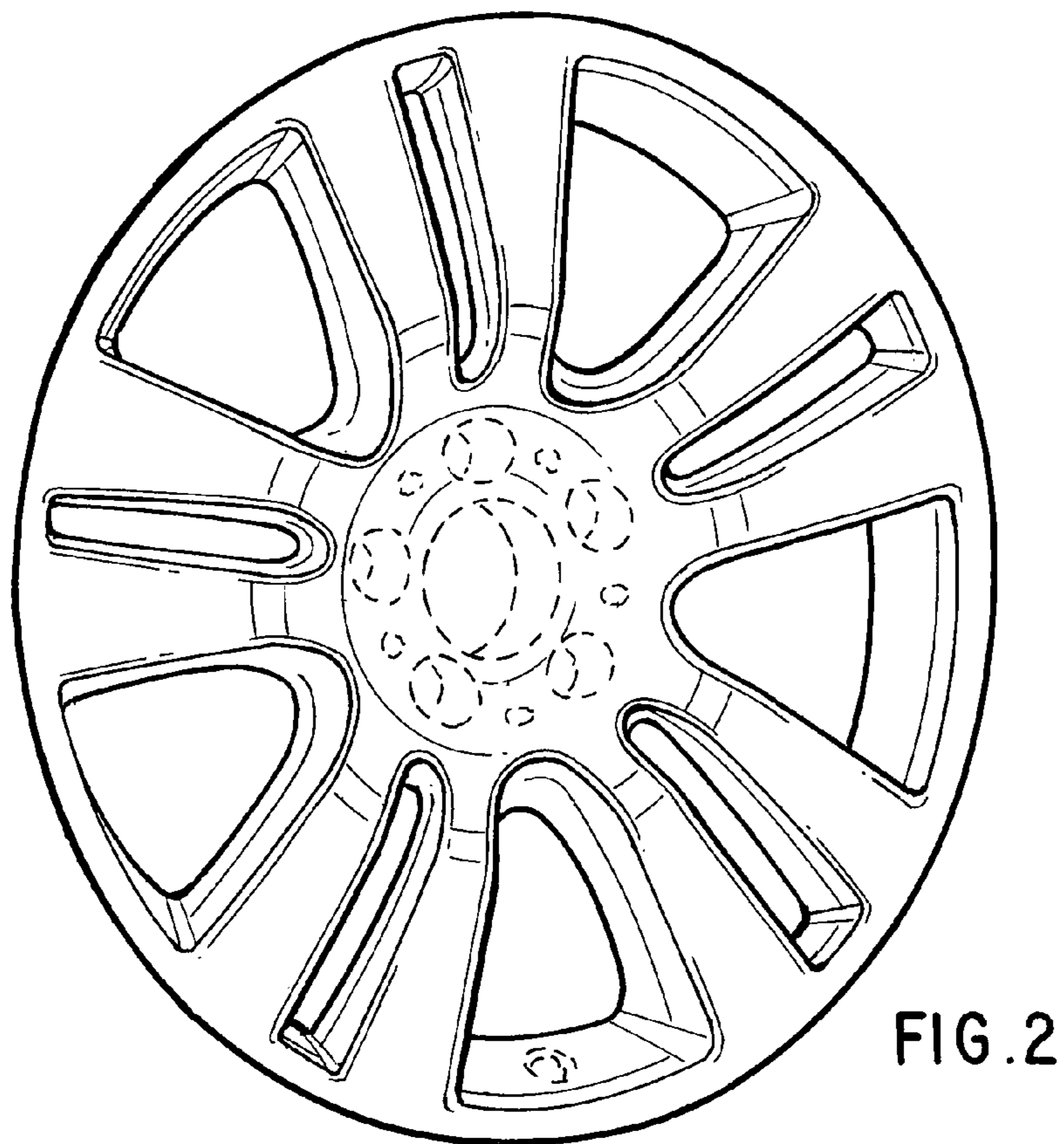
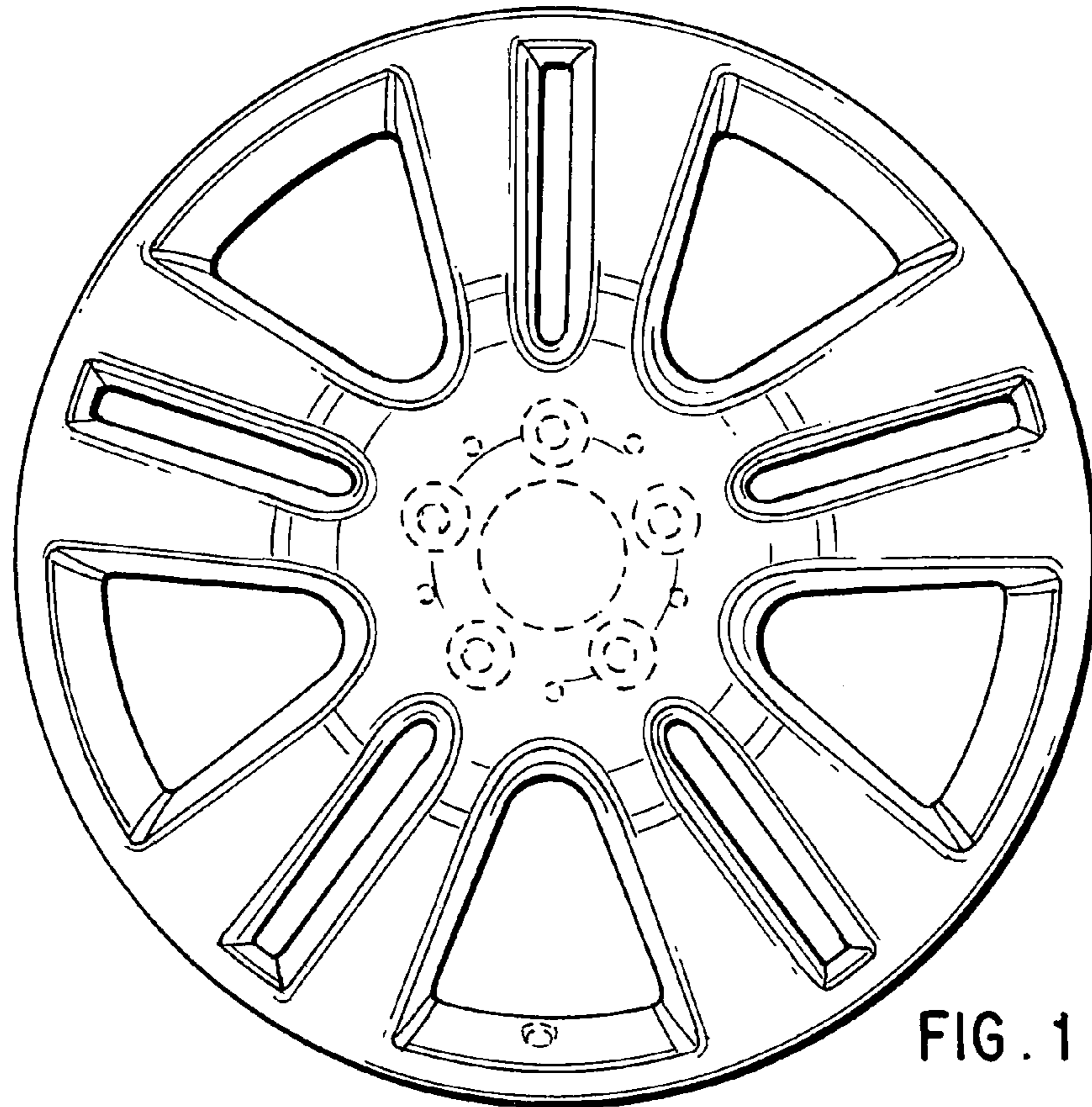
FIG. 3 is a front view of a second embodiment of a front face of a vehicle wheel according to my design; and,

FIG. 4 is a perspective view thereof.

The broken lines in FIGS. 1-4 are for environmental purposes only and form no part of the claimed design.

1 Claim, 2 Drawing Sheets





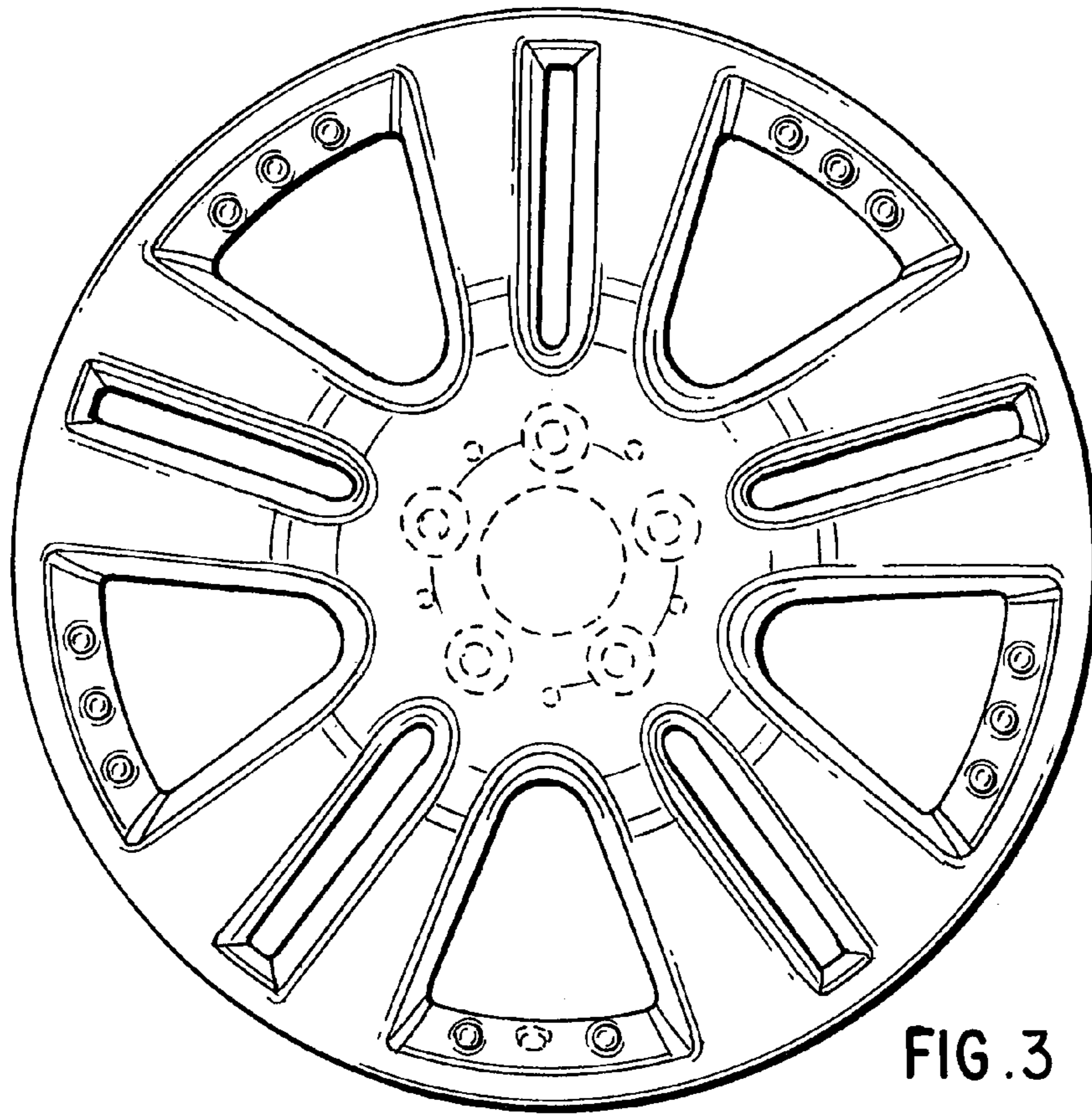


FIG. 3

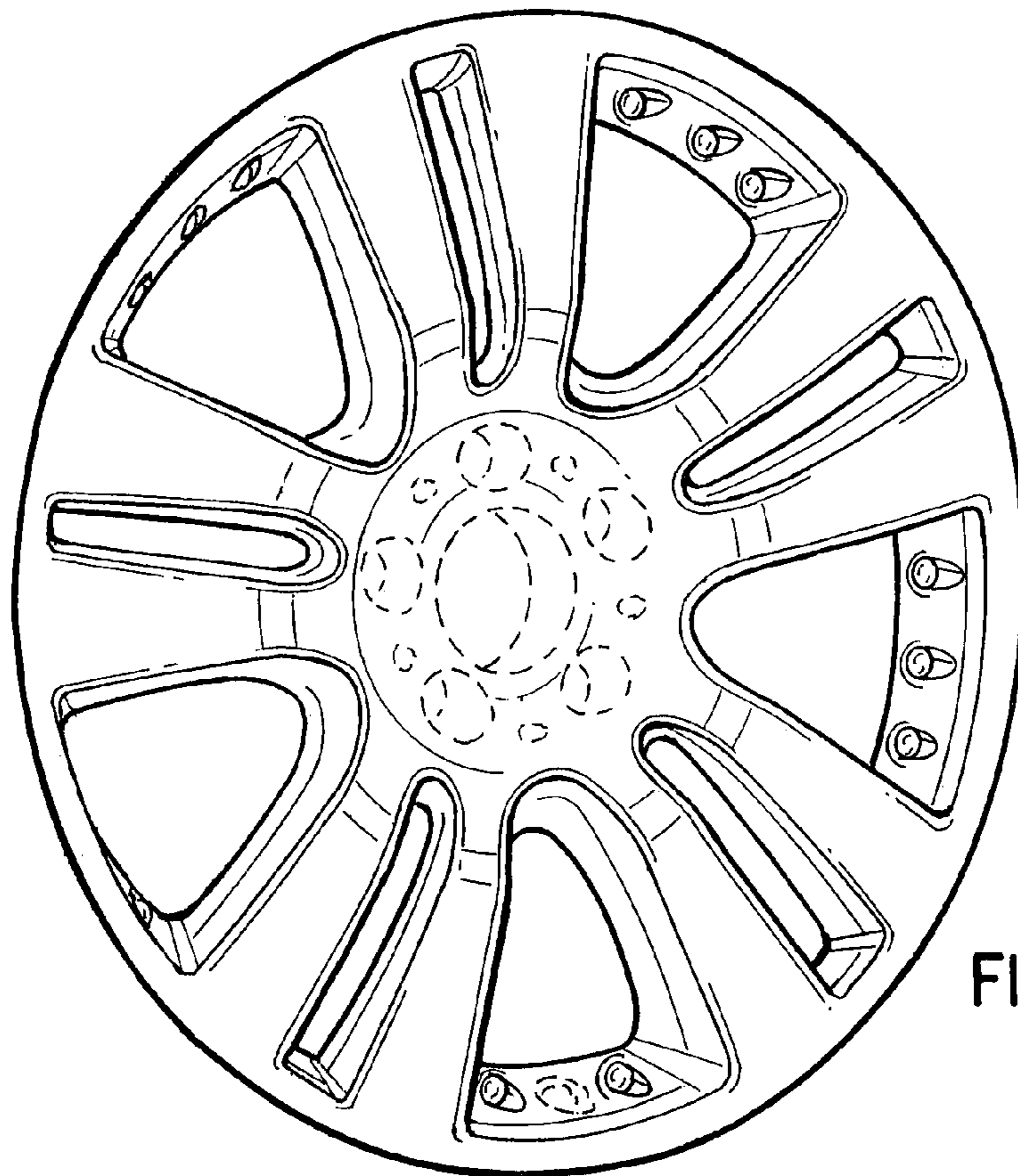


FIG. 4