

US00D593916S

(12) **United States Design Patent**
Kulla

(10) **Patent No.:** **US D593,916 S**
(45) **Date of Patent:** **** Jun. 9, 2009**

(54) **DASHBOARD FOR AN AUTOMOBILE**

(75) Inventor: **Matthias Kulla**, Leonberg (DE)

(73) Assignee: **Dr. Ing. h.c.F. Porsche**
Aktiengesellschaft, Weissach (DE)

(**) Term: **14 Years**

(21) Appl. No.: **29/282,619**

(22) Filed: **Jul. 25, 2007**

(30) **Foreign Application Priority Data**

Jan. 26, 2007 (EM) 000659644

(51) **LOC (9) Cl.** **12-16**

(52) **U.S. Cl.** **D12/192**

(58) **Field of Classification Search** D12/192;
180/336, 90; 296/37.12, 37.8, 70; 428/57;
259/630; 74/18; 264/46.5

See application file for complete search history.

(56) **References Cited**

U.S. PATENT DOCUMENTS

D439,211 S * 3/2001 Pfeiffer D12/192
6,846,031 B2 * 1/2005 Pandura 296/70

6,915,758 B2 * 7/2005 Nakagawa et al. 116/286
2004/0129098 A1 * 7/2004 Gayer et al. 74/18
2005/0189160 A1 * 9/2005 Oana 180/336
2006/0037794 A1 * 2/2006 Riha 180/90
2006/0091575 A1 * 5/2006 Sroka et al. 264/46.5
2006/0092521 A1 * 5/2006 Birman et al. 359/630
2006/0108820 A1 * 5/2006 Vican 296/37.12
2006/0177620 A1 * 8/2006 Gray et al. 428/57
2007/0007787 A1 * 1/2007 Park 296/37.8

* cited by examiner

Primary Examiner—Robert M. Spear
Assistant Examiner—George D Kirschbaum

(57) **CLAIM**

The ornamental design for the dashboard for an automobile, as shown and described.

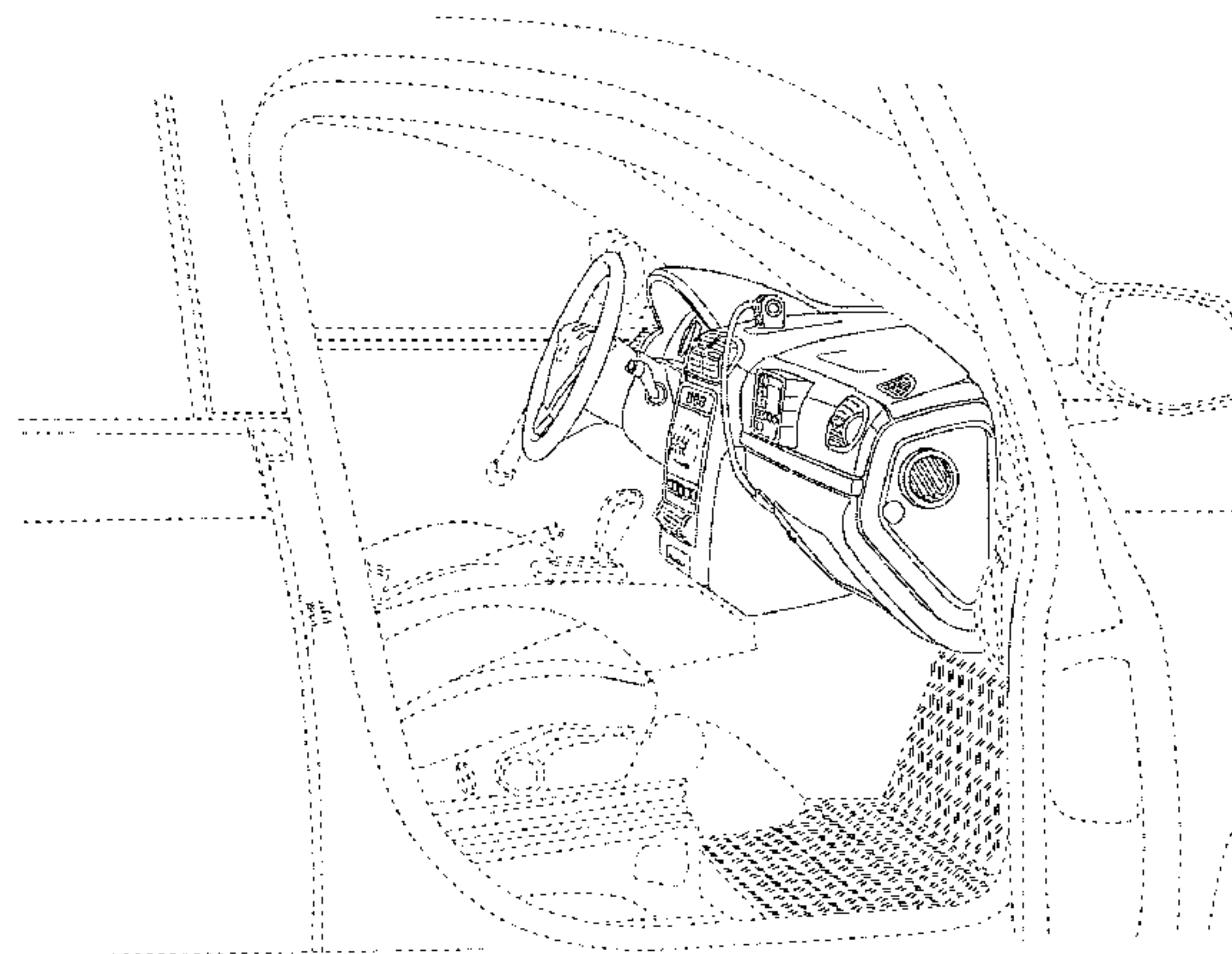
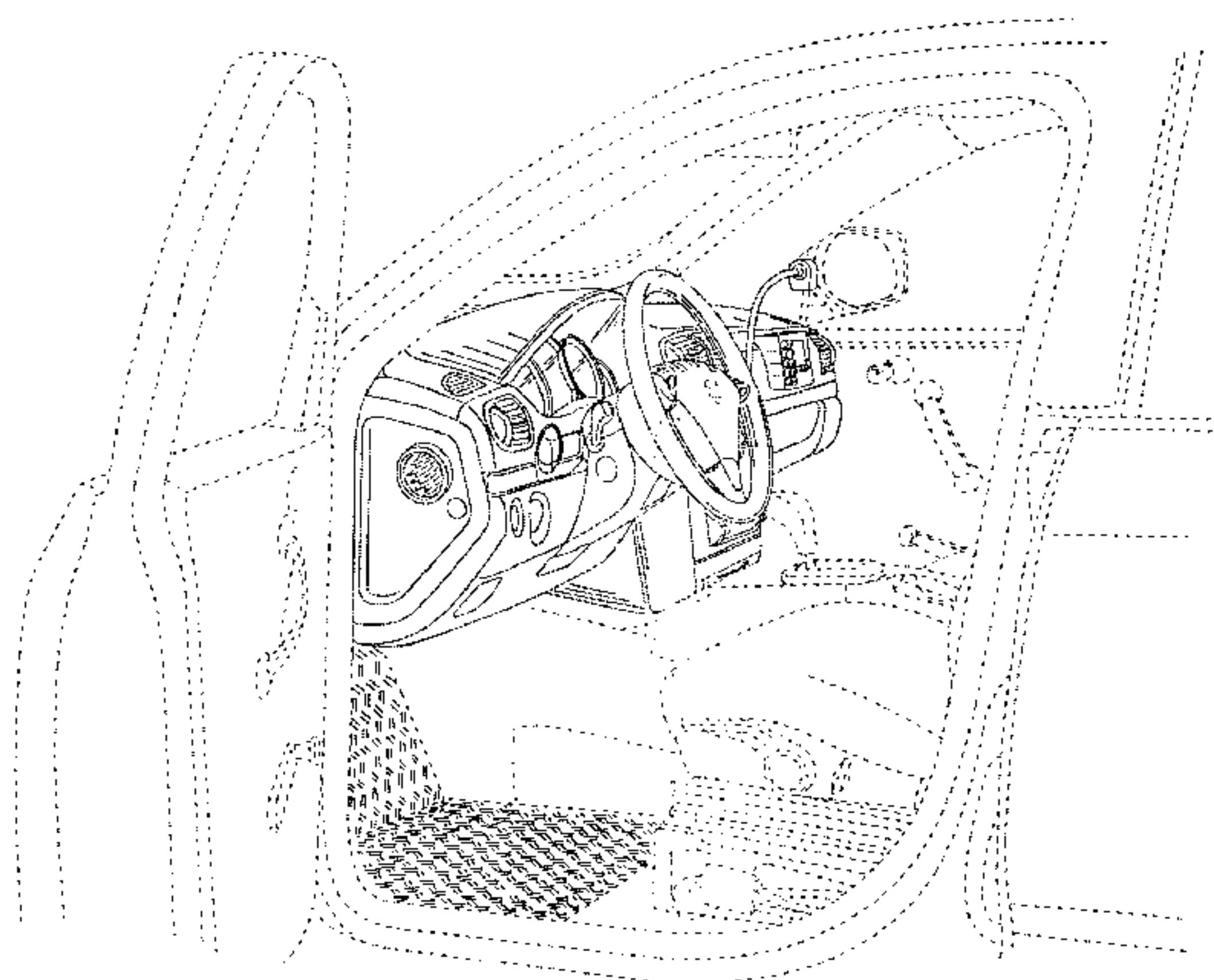
DESCRIPTION

FIG. 1 is a left side perspective view of the dashboard showing my new design installed in a motor vehicle;

FIG. 2 is a right side perspective view thereof; and,

FIG. 3 is an enlarged left-side perspective view of the dashboard showing my new design.

1 Claim, 3 Drawing Sheets



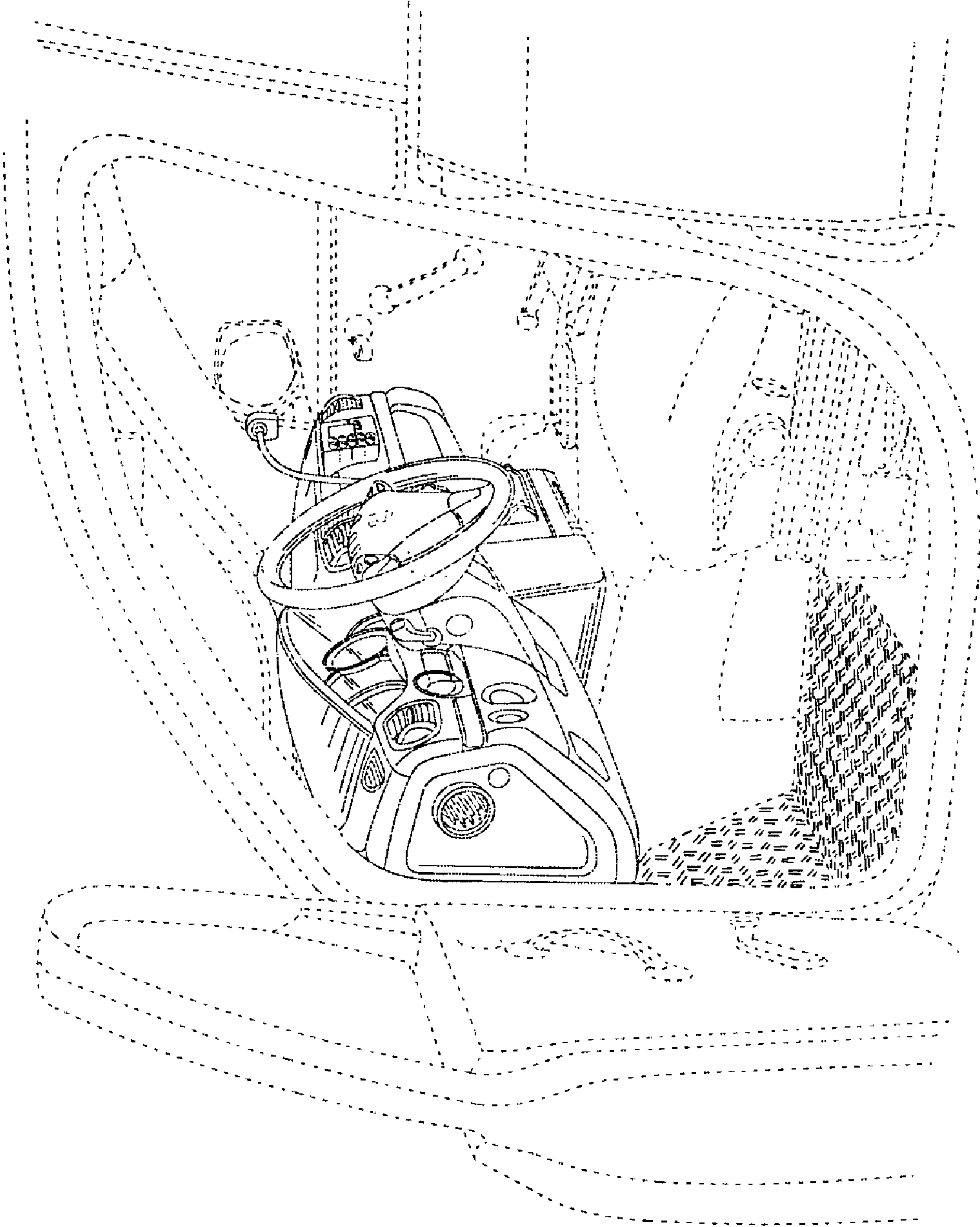


FIG. 1

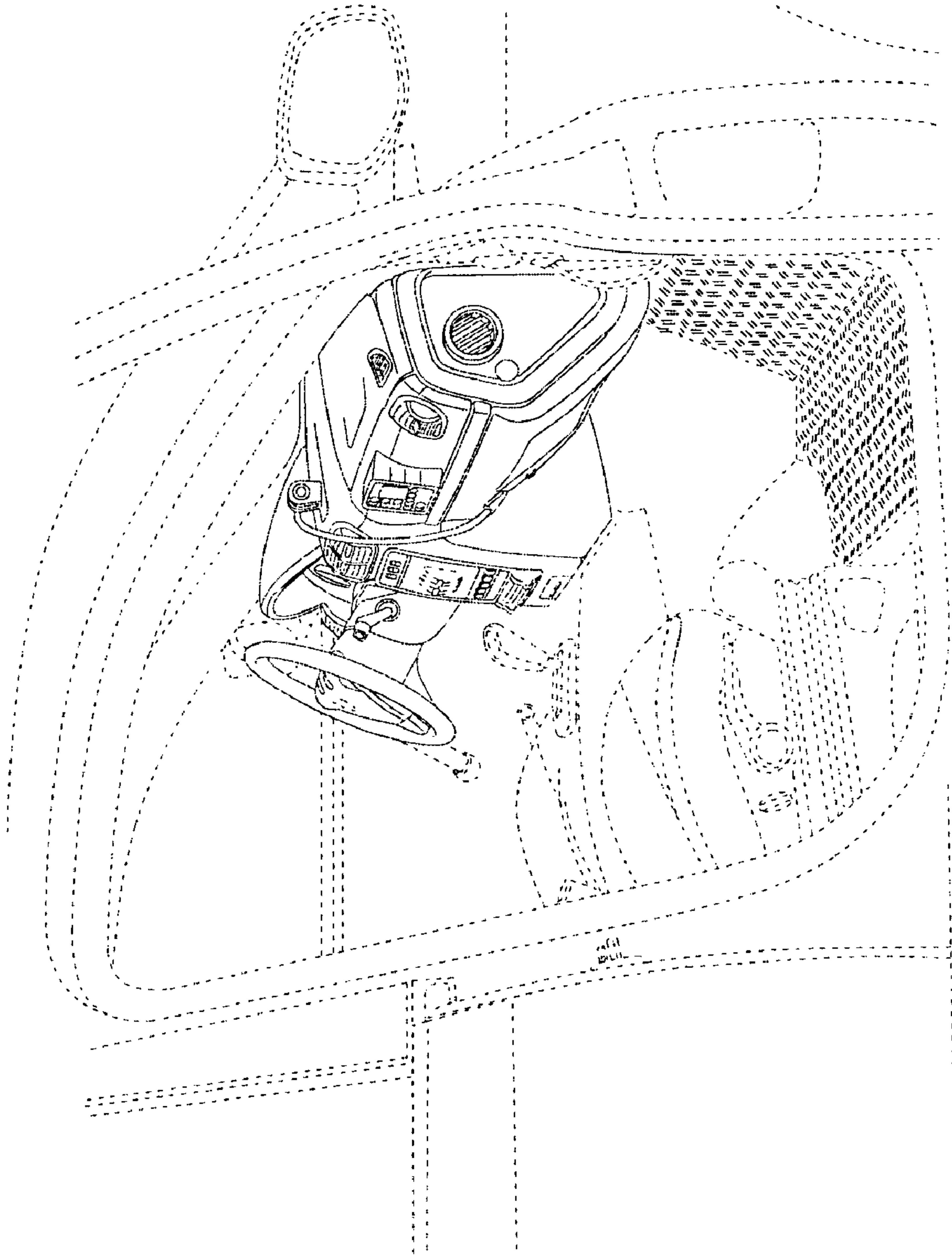


FIG. 2

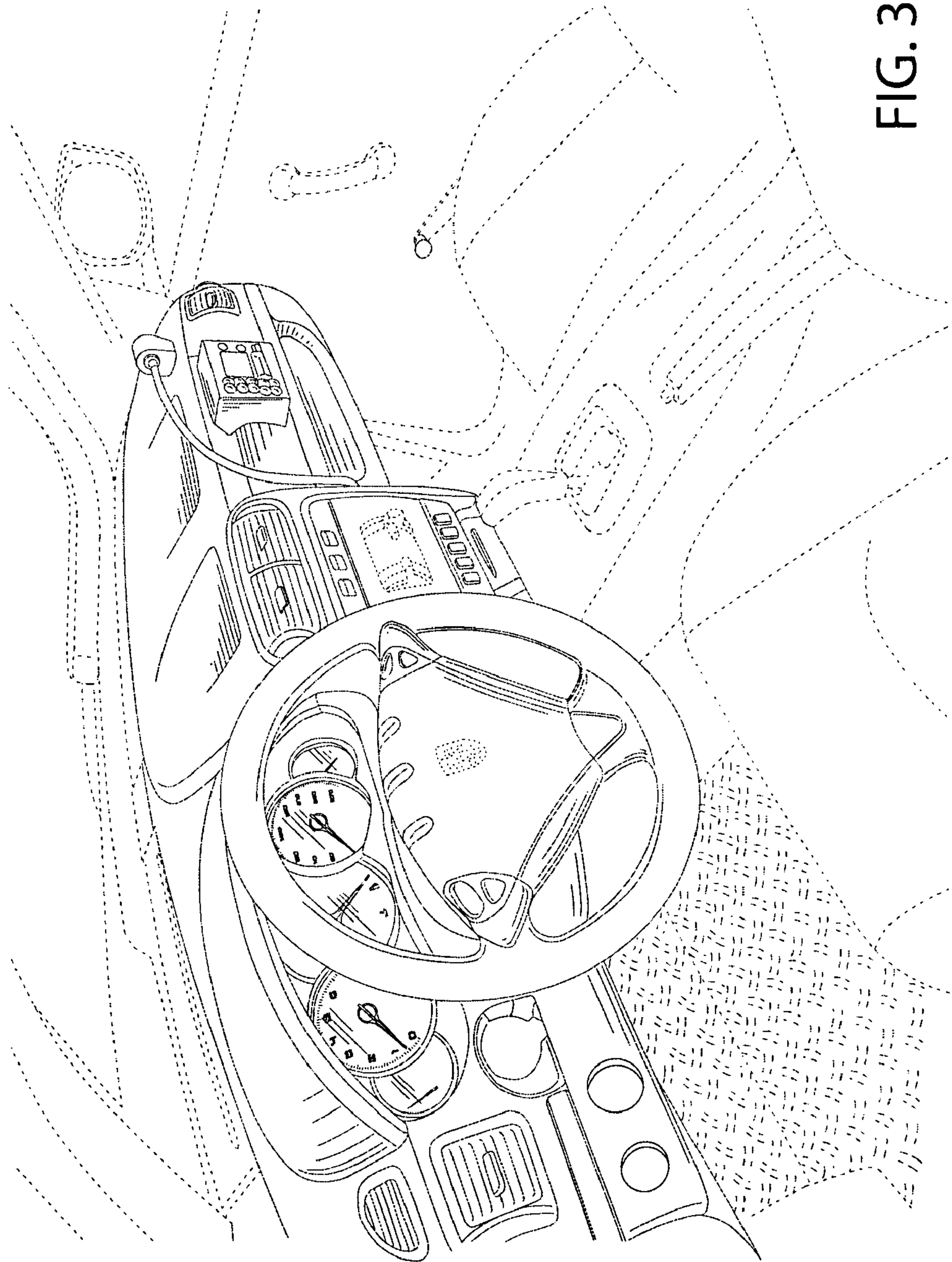


FIG. 3