



US00D593914S

(12) **United States Design Patent**
Yeung

(10) **Patent No.:** **US D593,914 S**
(45) **Date of Patent:** **** Jun. 9, 2009**

(54) **AUTOMOTIVE STEERING COLUMN COVER**

(76) Inventor: **Winston Yeung**, 1726 Ross Road, North Vancouver, BC (CA) V7J 2V4

(**) Term: **14 Years**

(21) Appl. No.: **29/326,853**

(22) Filed: **Oct. 24, 2008**

(51) **LOC (9) Cl.** **12-16**

(52) **U.S. Cl.** **D12/177**

(58) **Field of Classification Search** D10/46,
D10/98, 102, 103, 106; D15/17, 28; D12/192,
D12/345, 317, 175-177; 73/431, 866.3;
180/90; 200/61.54-61.57, 1 R, 5 R, 51.02-51.06,
200/293, 295; 280/750-752; 296/190.01-190.09,
296/70; 362/482, 489; 439/76.1, 206, 519,
439/521, 520

See application file for complete search history.

(56) **References Cited**

U.S. PATENT DOCUMENTS

7,180,020 B2 * 2/2007 Onoda et al. 200/61.54
D538,720 S * 3/2007 Yeung D12/192

* cited by examiner

Primary Examiner—Antoine D Davis

(74) *Attorney, Agent, or Firm*—C. Larry Kyle; Nexus Law Group LLP

(57) **CLAIM**

The ornamental design for an automotive steering column cover, as shown and described.

DESCRIPTION

FIG. 1 is a front, top right perspective view of my automotive steering column cover;

FIG. 2 is a front view thereof;

FIG. 3 is a rear view thereof;

FIG. 4 is a top view thereof;

FIG. 5 is a bottom view thereof;

FIG. 6 is a right side view thereof;

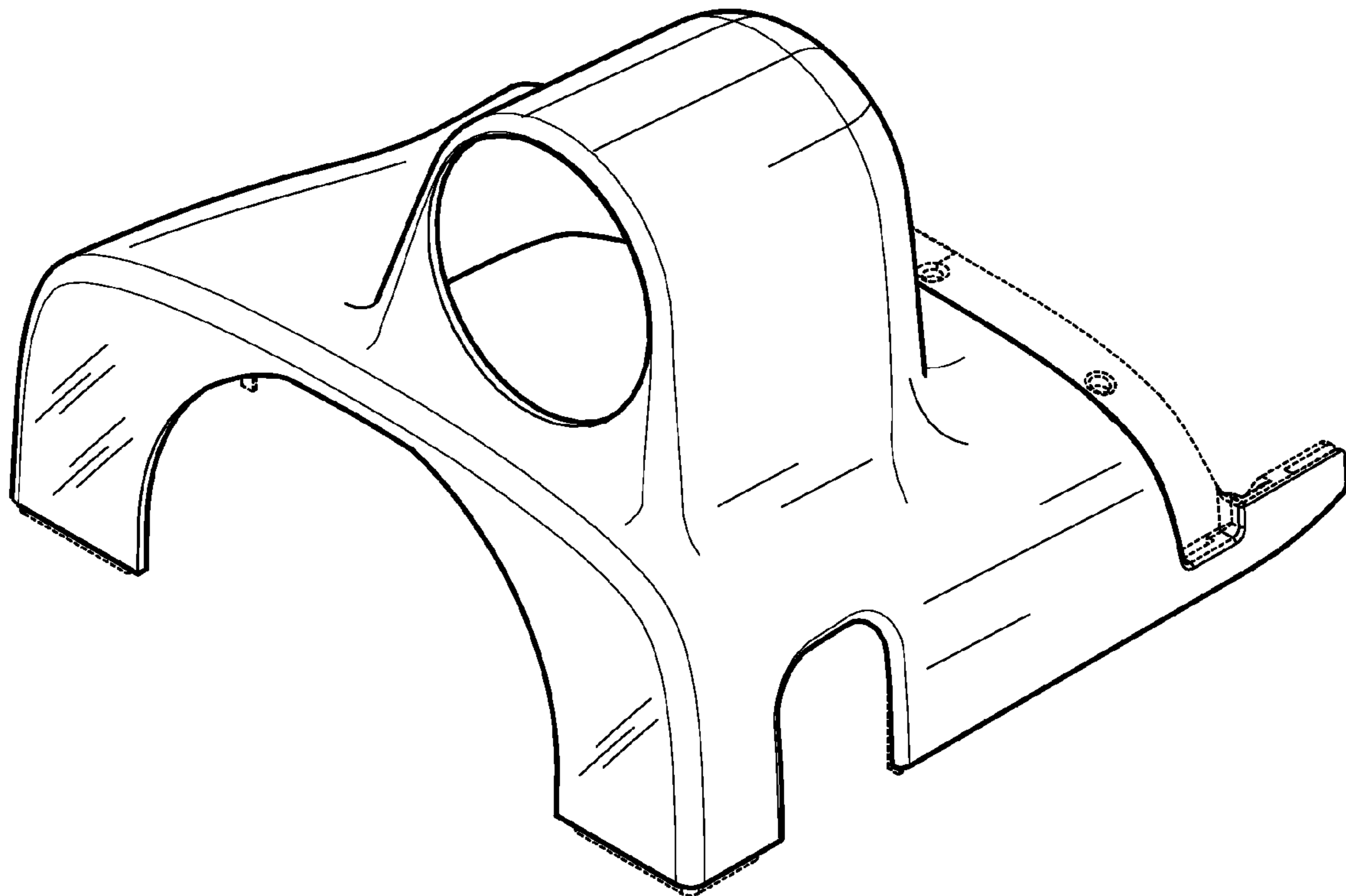
FIG. 7 is a left side view thereof;

FIG. 8 is a perspective view thereof from the top rear; and,

FIG. 9 is a perspective view thereof from the bottom rear.

The broken lines showing in FIGS. 1-9 are for illustrative purposes only and form no part of the claimed design.

1 Claim, 5 Drawing Sheets



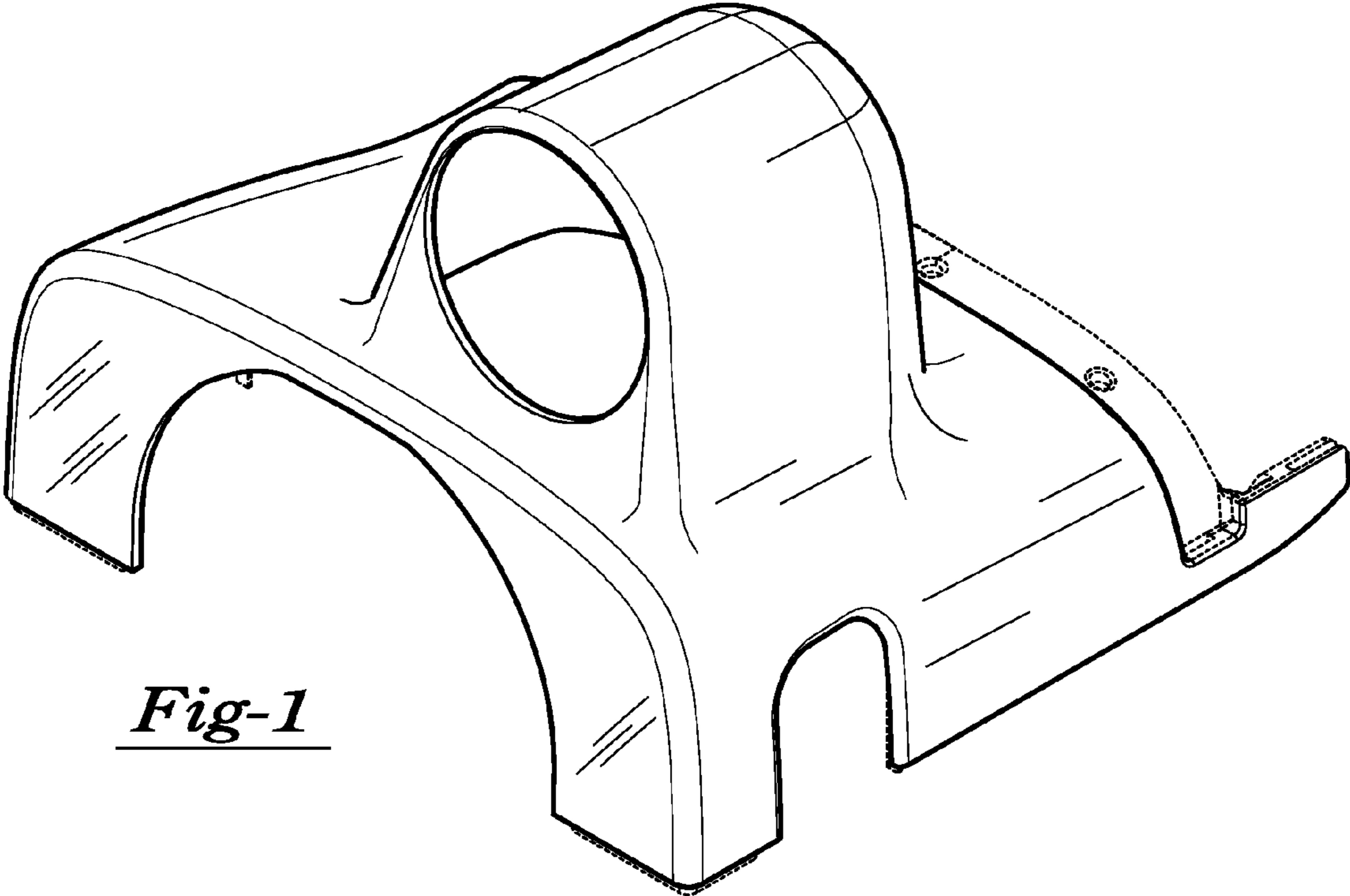


Fig-1

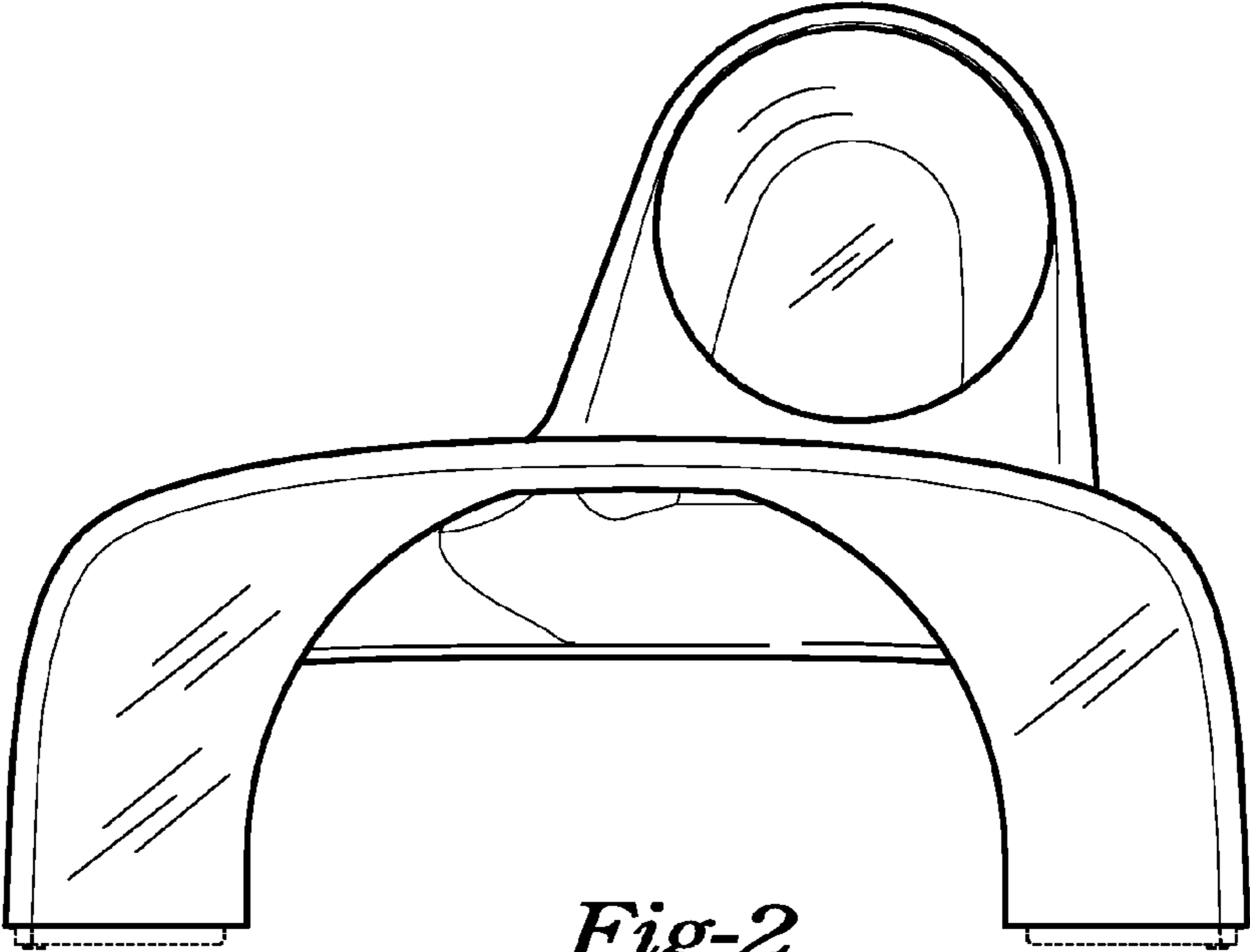


Fig-2

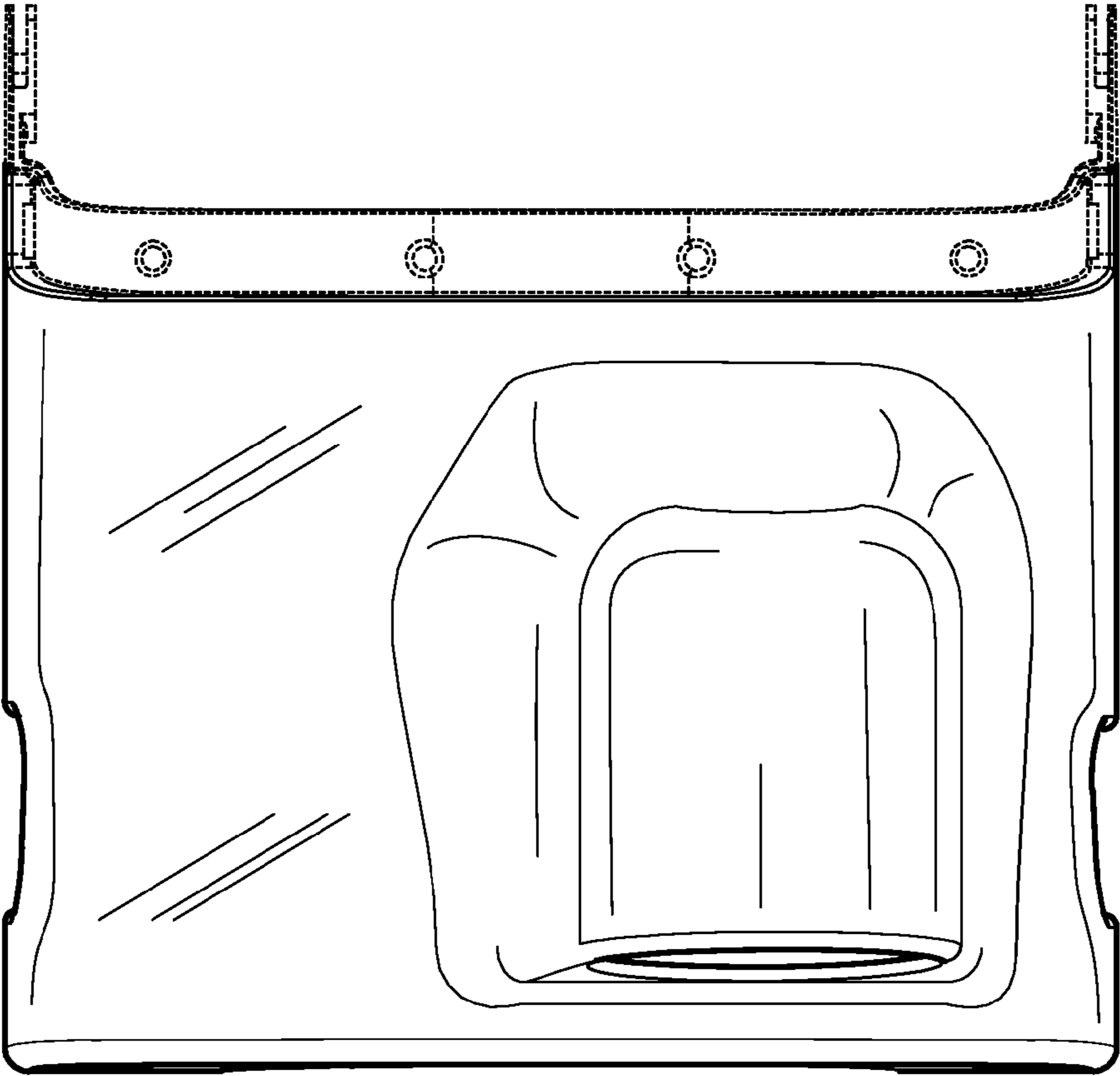
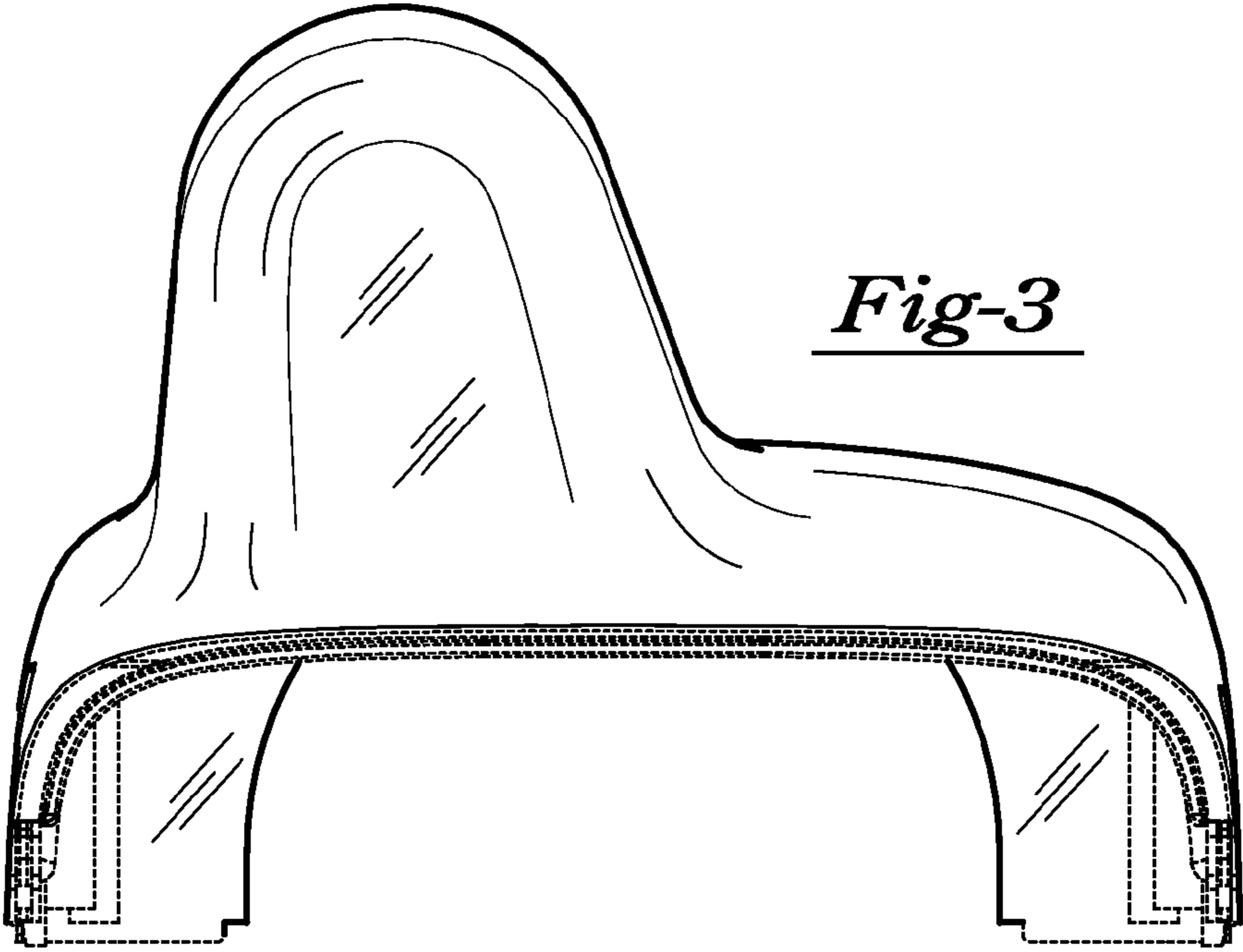


Fig-4

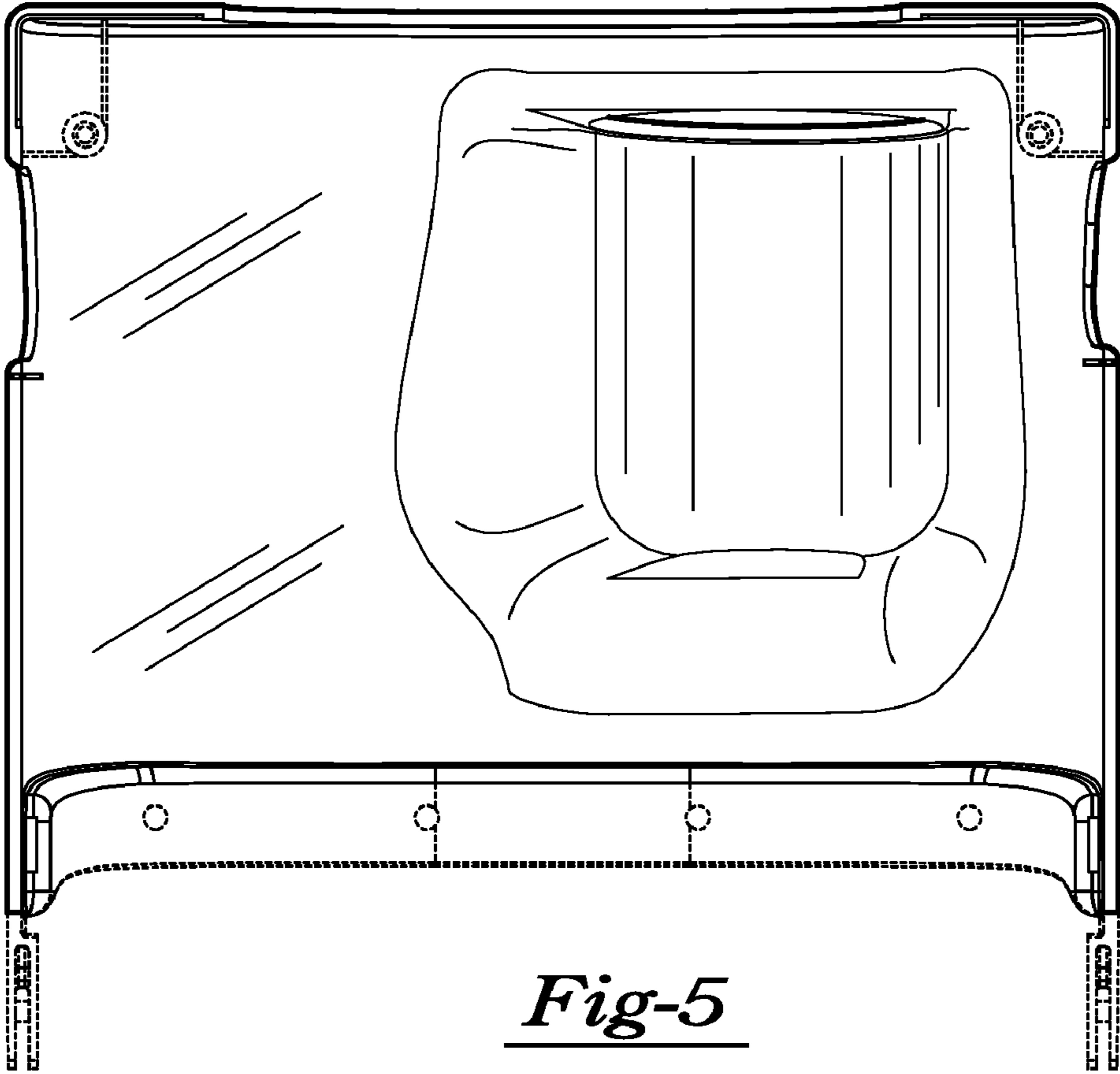


Fig-5

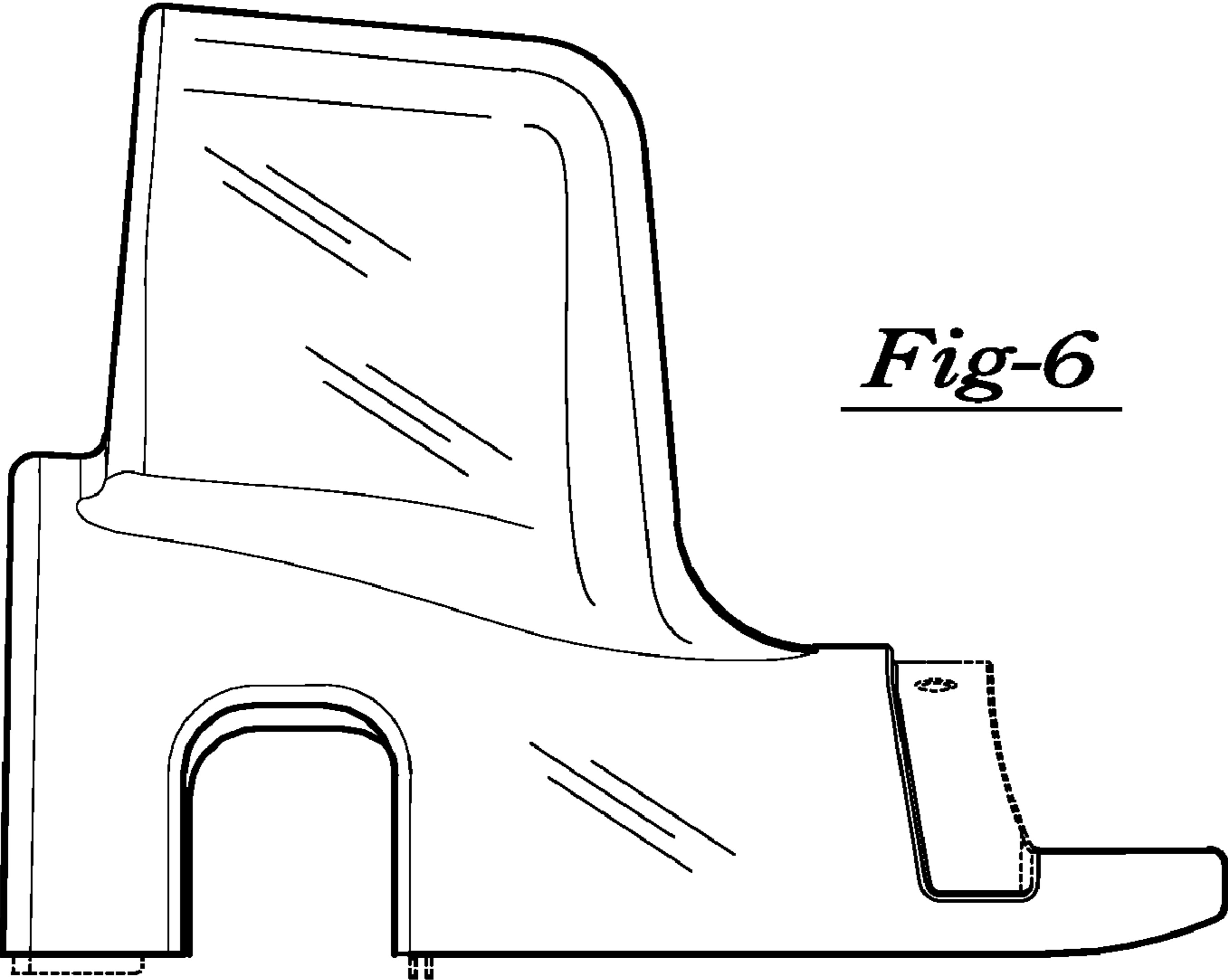


Fig-6

Fig-7

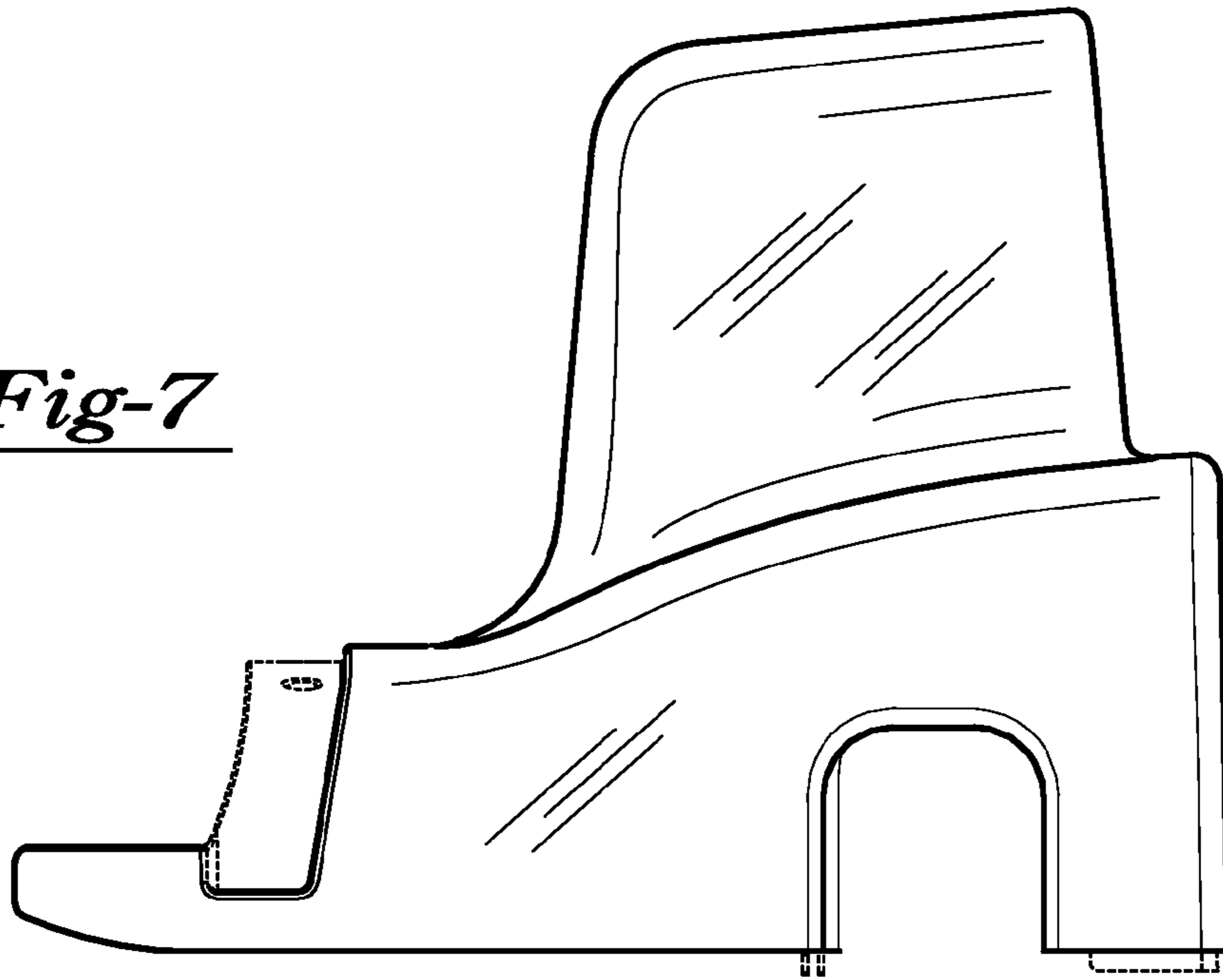
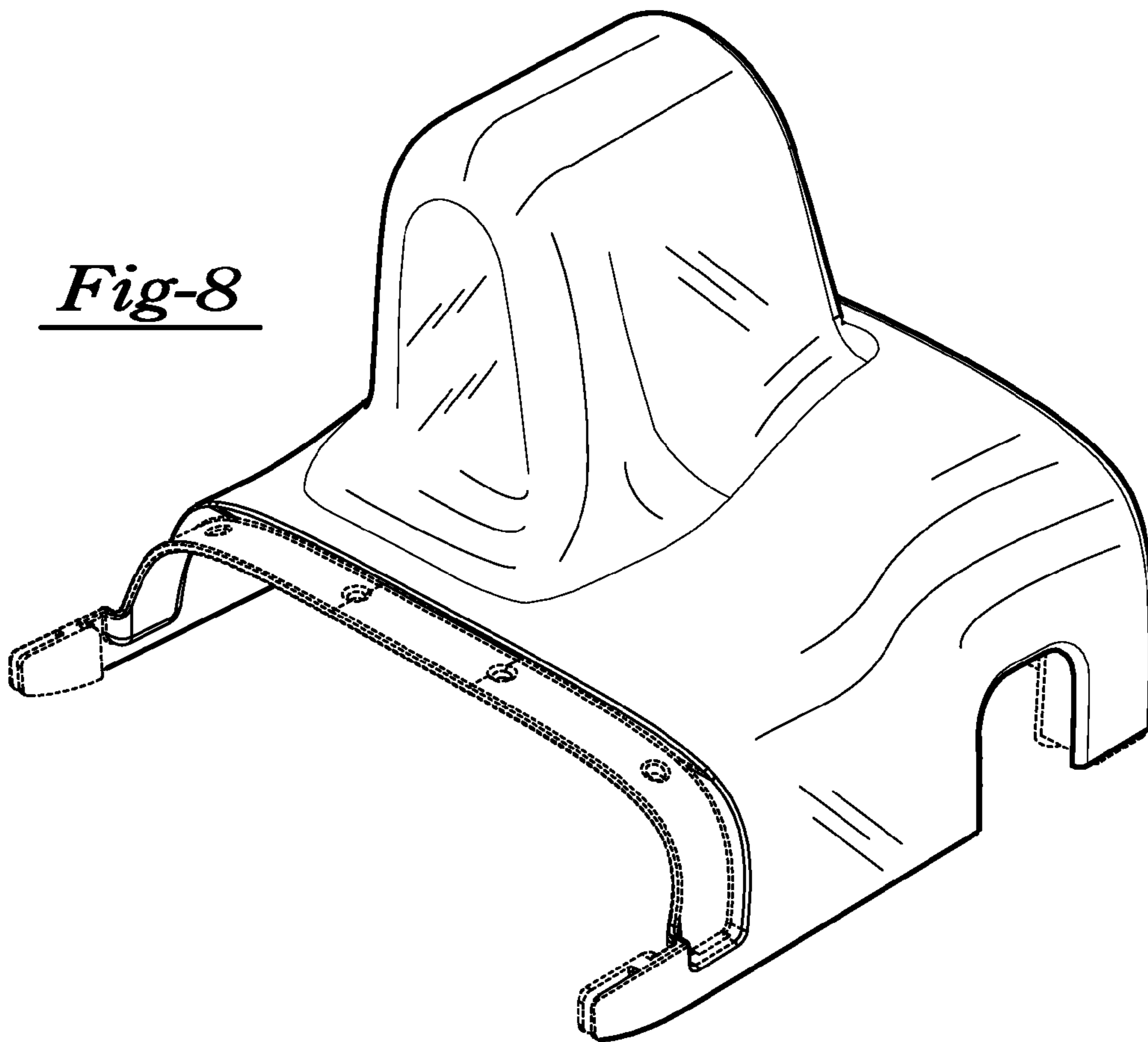


Fig-8



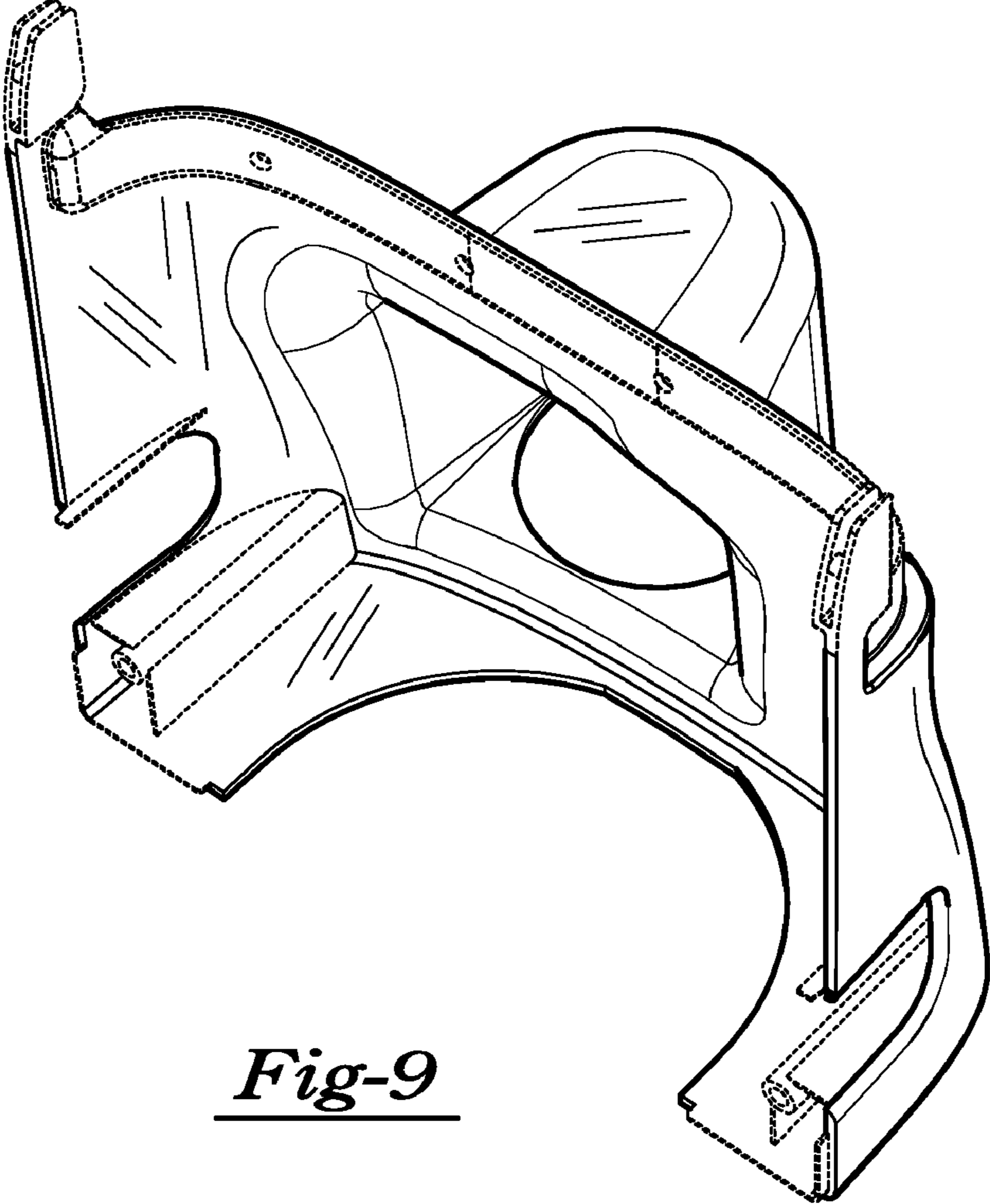


Fig-9