



US00D593910S

(12) **United States Design Patent**
Calvin et al.

(10) **Patent No.:** **US D593,910 S**

(45) **Date of Patent:** **** Jun. 9, 2009**

(54) **TRICYCLE WITH REAR CASTER WHEELS**

D484,073 S * 12/2003 Heinemann et al. D12/112
D514,476 S * 2/2006 Glenn, II D12/112

(75) Inventors: **Seth Calvin**, San Marino, CA (US); **Li Zhao-Fei**, Xiao (CN)

* cited by examiner

(73) Assignee: **Razor USA LLC**, Cerritos, CA (US)

Primary Examiner—Cathron C Brooks

Assistant Examiner—Linda Brooks

(**) Term: **14 Years**

(74) *Attorney, Agent, or Firm*—Charles C. H. Wu; Wu & Cheung, LLP

(21) Appl. No.: **29/282,300**

(57) **CLAIM**

(22) Filed: **Jul. 16, 2007**

The ornamental design for a tricycle with rear caster wheels, as shown and described.

(51) **LOC (9) Cl.** **12-11**

(52) **U.S. Cl.** **D12/112**

(58) **Field of Classification Search** D12/112,
D12/113; 280/278, 282, 287, 281.1, 288.1–288.3,
280/62, 263, 270, 271, 202, 259, 211; D21/432,
D21/435, 423; 446/440

DESCRIPTION

See application file for complete search history.

FIG. 1 is a perspective view of the tricycle with rear caster wheels showing the new design;

FIG. 2 is a rear elevational view thereof;

FIG. 3 is a top plan view thereof;

FIG. 4 is a left side elevational view thereof;

FIG. 5 is a bottom plan view thereof;

FIG. 6 is a front elevational view thereof; and,

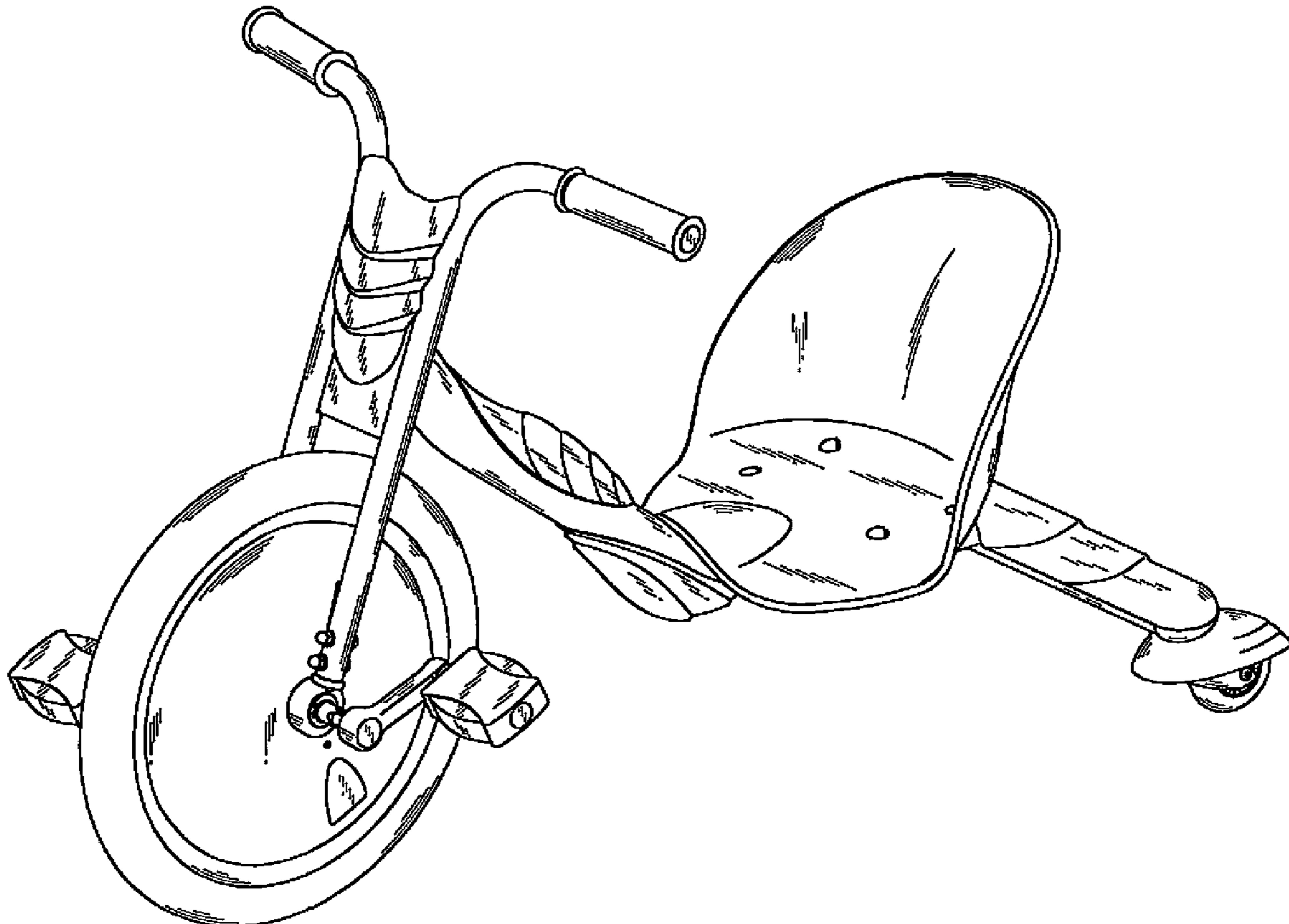
FIG. 7 is a right side elevational view thereof.

(56) **References Cited**

U.S. PATENT DOCUMENTS

D224,254 S * 7/1972 Hil D12/112
D231,209 S * 4/1974 Williams D12/112
D480,665 S * 10/2003 Gunter et al. D12/112
D483,420 S * 12/2003 DeLong et al. D21/435

1 Claim, 7 Drawing Sheets



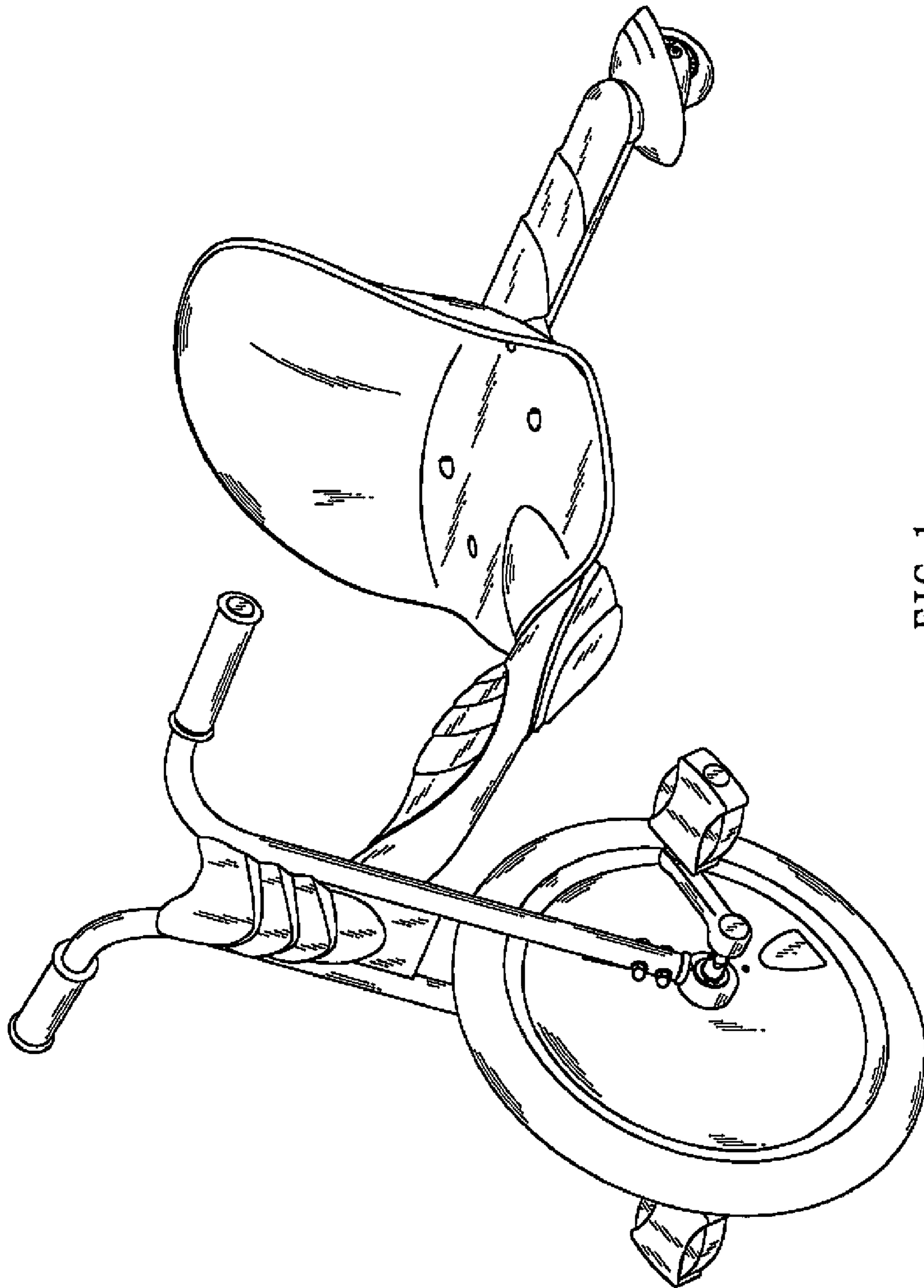


FIG. 1

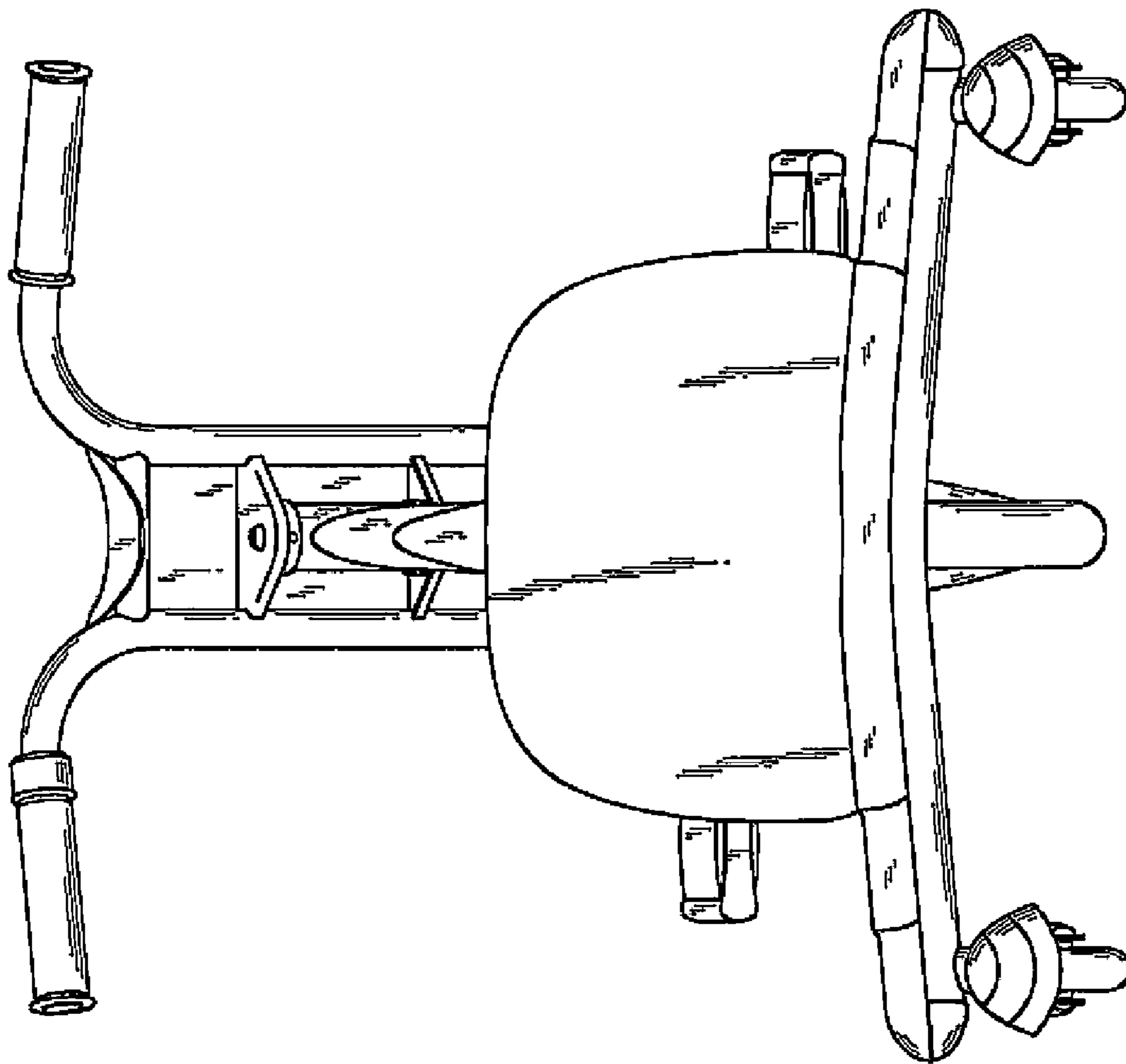


FIG. 2

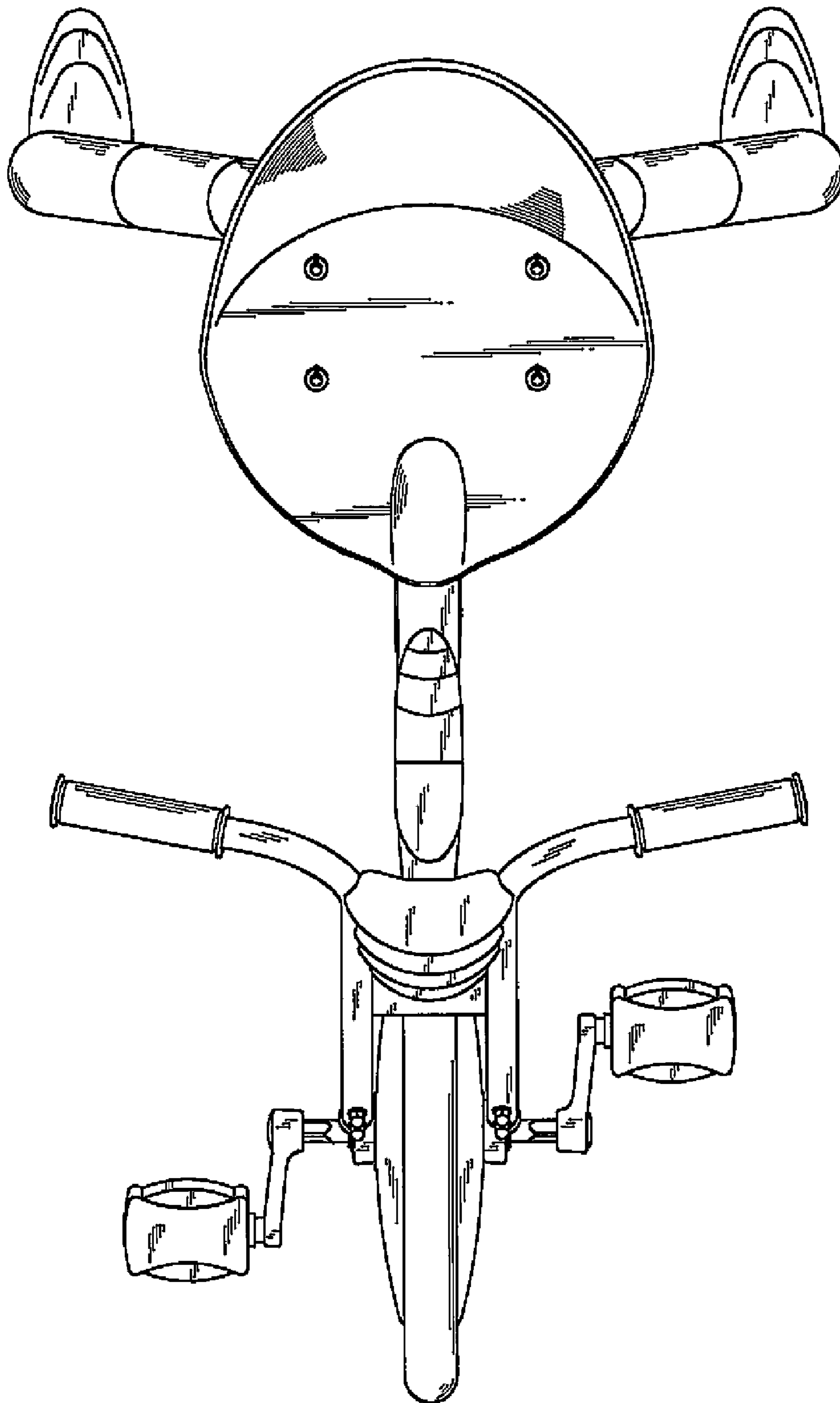


FIG. 3

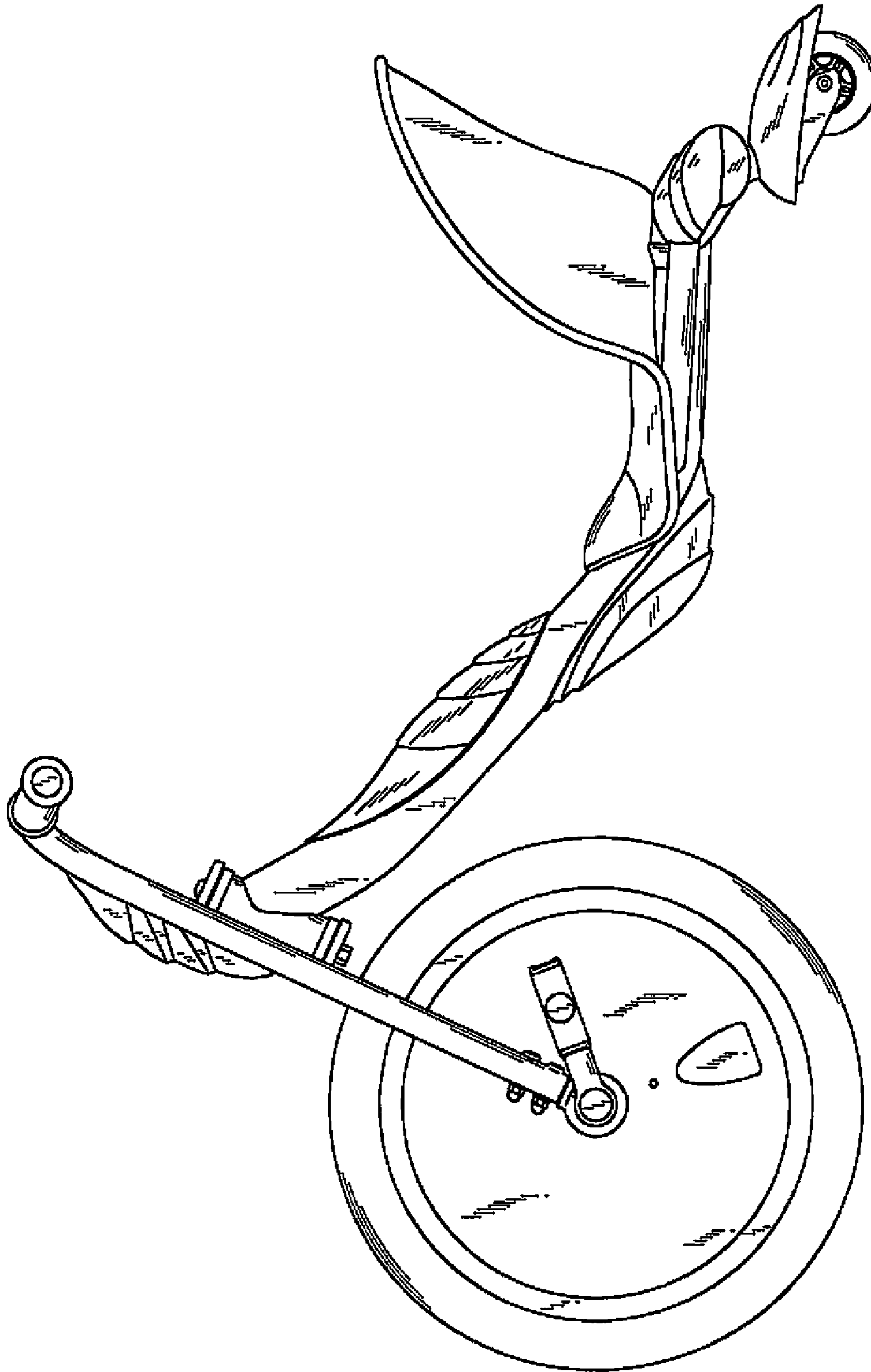


FIG. 4

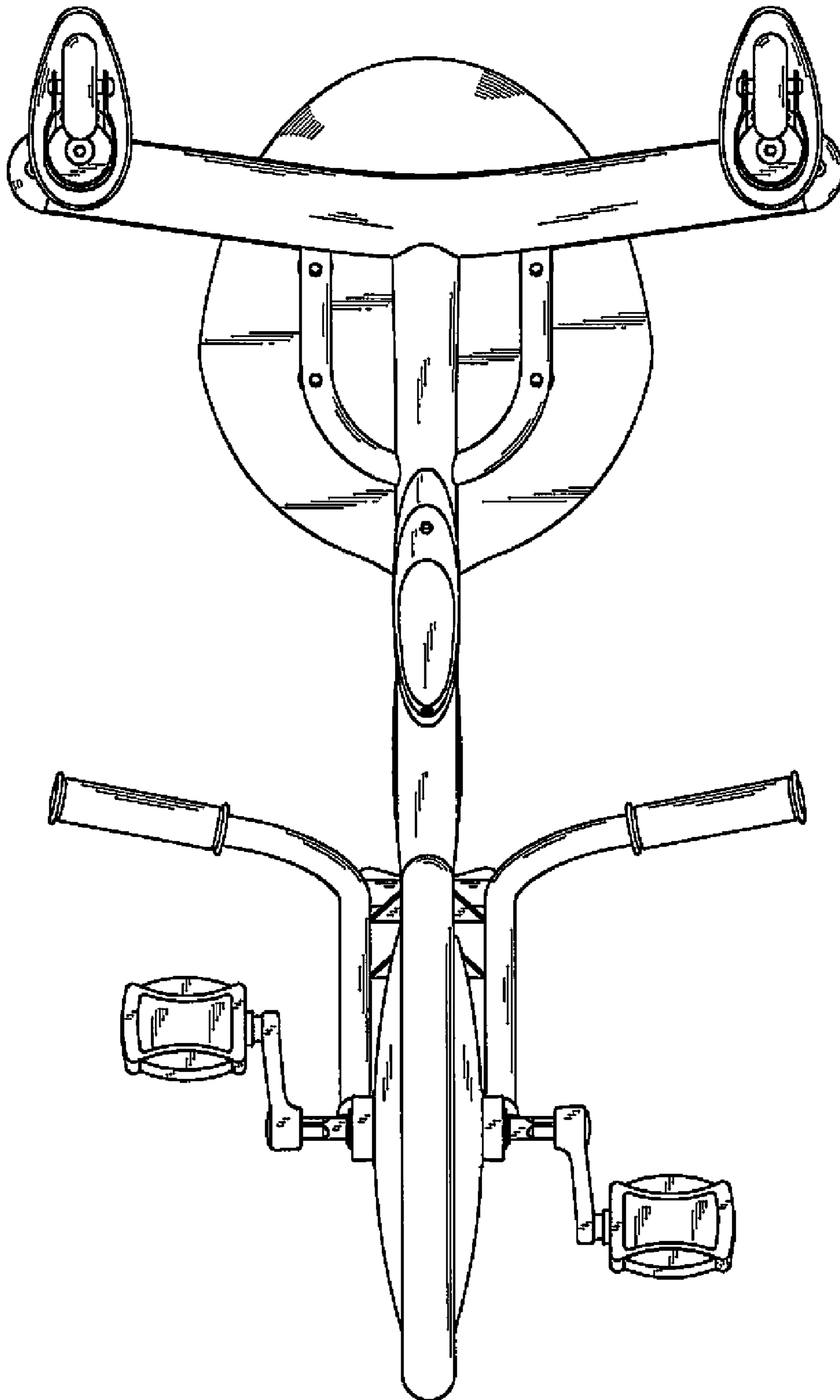


FIG. 5

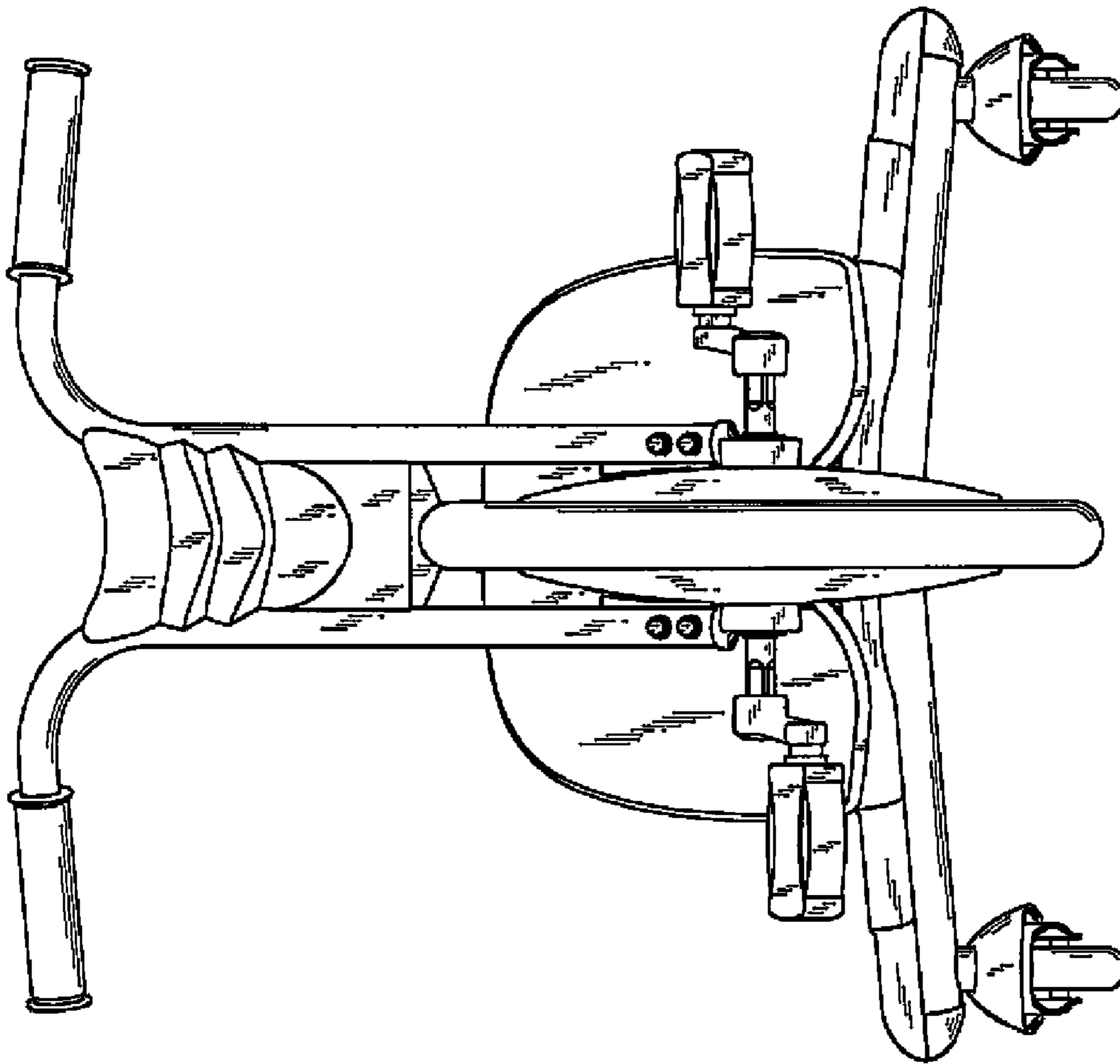


FIG. 6

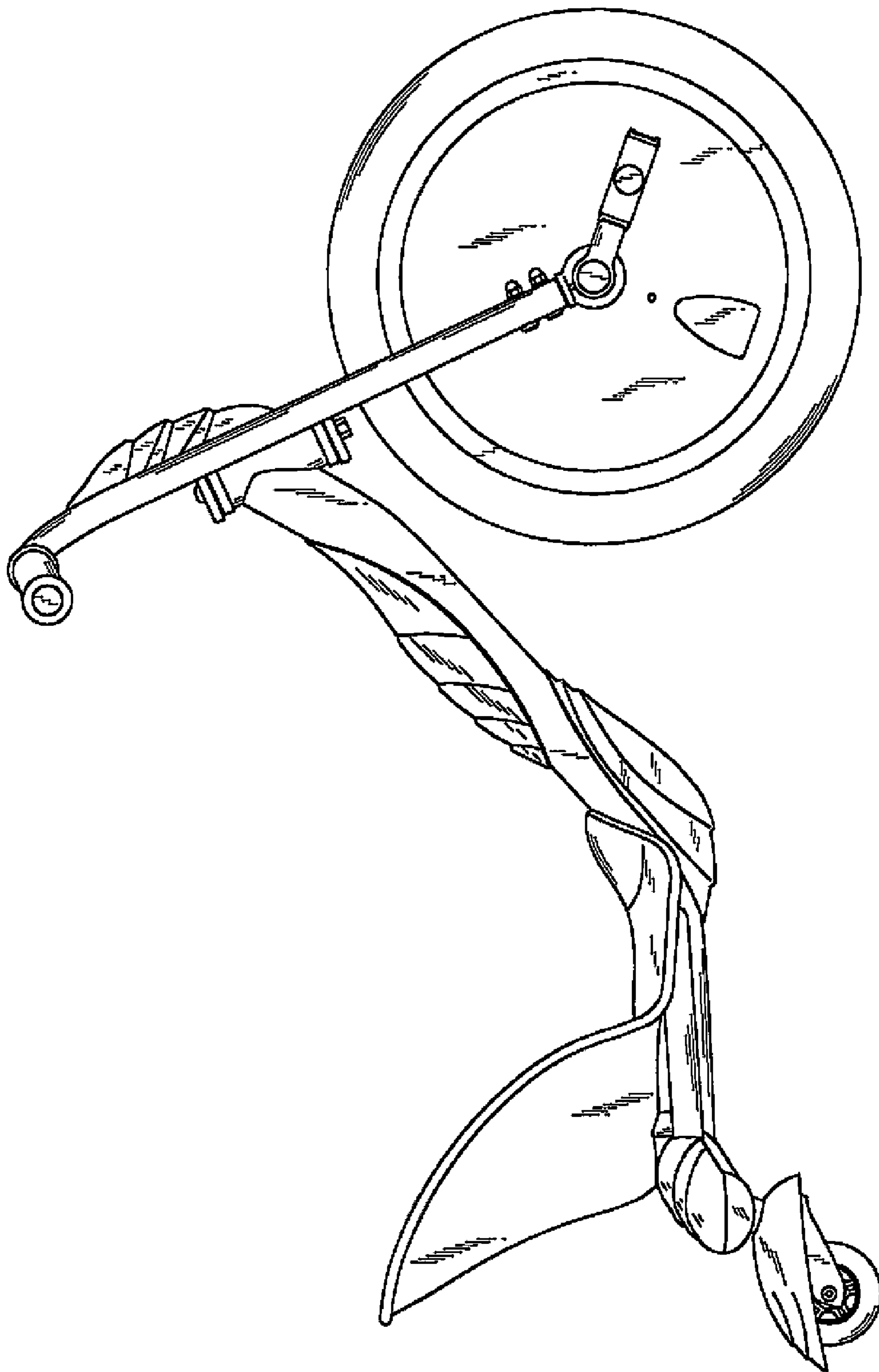


FIG. 7