



US00D593907S

(12) **United States Design Patent**  
**Piedy**

(10) **Patent No.:** **US D593,907 S**

(45) **Date of Patent:** **\*\* Jun. 9, 2009**

(54) **TRUCK HEAD**

(76) **Inventor:** **Juan A. Piedy**, 7368 SW. 80th St. Plz.,  
Apartment 167, Miami, FL (US) 33143

(\*\*) **Term:** **14 Years**

(21) **Appl. No.:** **29/320,815**

(22) **Filed:** **Jul. 3, 2008**

(51) **LOC (9) Cl.** ..... **12-16**

(52) **U.S. Cl.** ..... **D12/96**

(58) **Field of Classification Search** ..... D12/93-98;  
180/89.1-89.19; 296/190.01-190.11

See application file for complete search history.

(56) **References Cited**

**U.S. PATENT DOCUMENTS**

3,909,276	A	9/1975	Wolf	
4,112,615	A	9/1978	Ishimoto	
4,224,762	A	9/1980	McCaslin	
D265,983	S	8/1982	Sullivan et al.	
4,957,322	A	9/1990	Marlowe et al.	
D326,490	S	5/1992	Aker	
6,264,528	B1	7/2001	Doan et al.	
D450,785	S	11/2001	Walls	
D460,023	S *	7/2002	Beigel	..... D12/96

6,886,882	B2	5/2005	Farlow et al.	
7,044,826	B2	5/2006	Edwards	
D542,715	S *	5/2007	Beigel et al.	..... D12/96
D558,643	S *	1/2008	Beigel et al.	..... D12/96
D566,009	S *	4/2008	Beigel et al.	..... D12/96

\* cited by examiner

*Primary Examiner*—Antoine D Davis

(57) **CLAIM**

The ornamental design for a truck head, as shown and described.

**DESCRIPTION**

FIG. 1 is a right side view of a truck head;

FIG. 2 is a left side view thereof;

FIG. 3 is a front view thereof;

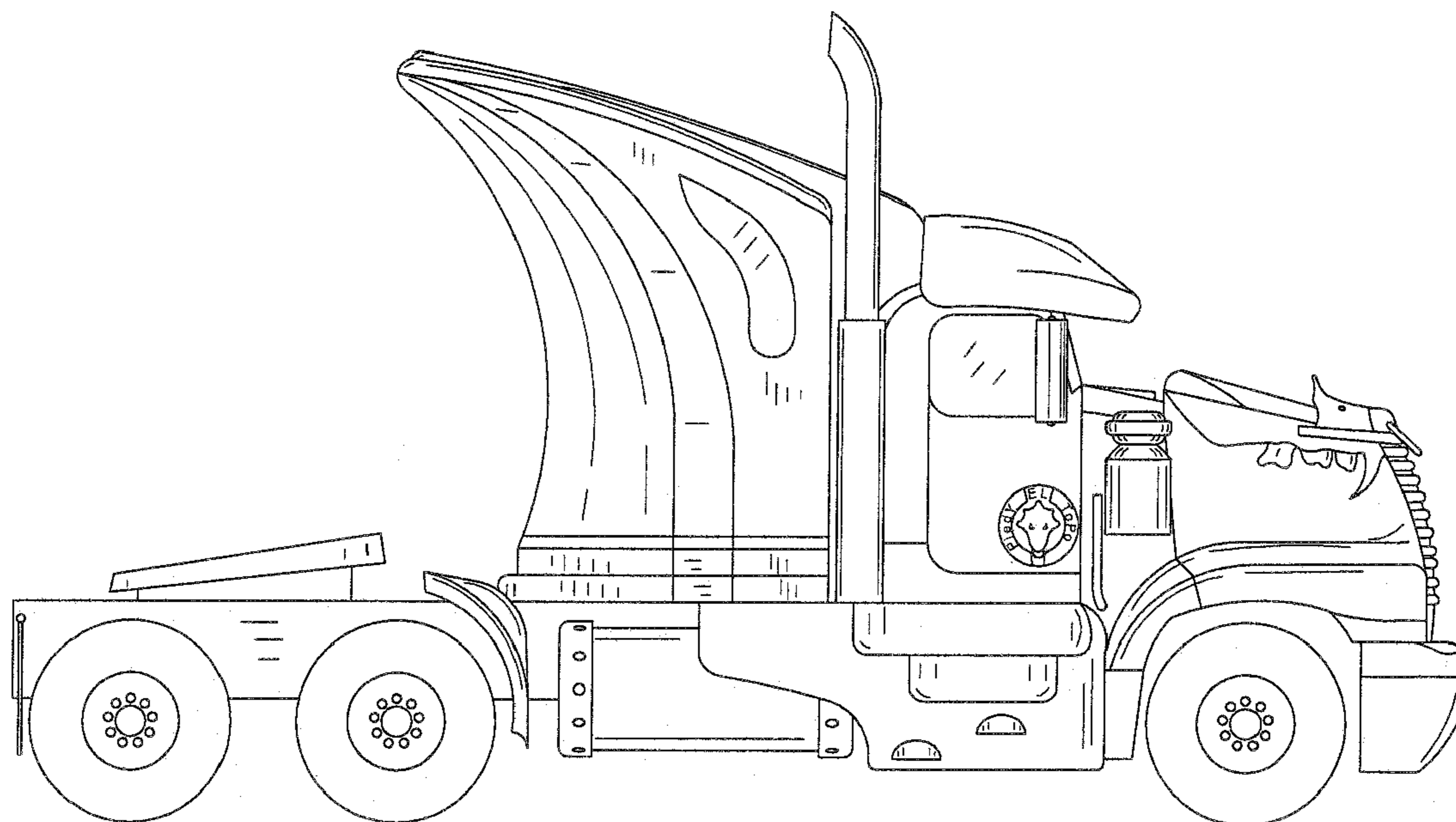
FIG. 4 is a back view thereof;

FIG. 5 is a top view thereof; and,

FIG. 6 is a bottom view thereof.

The broken line portion of FIG. 1 is for illustrative purposes only and forms no part of the claimed design.

**1 Claim, 3 Drawing Sheets**



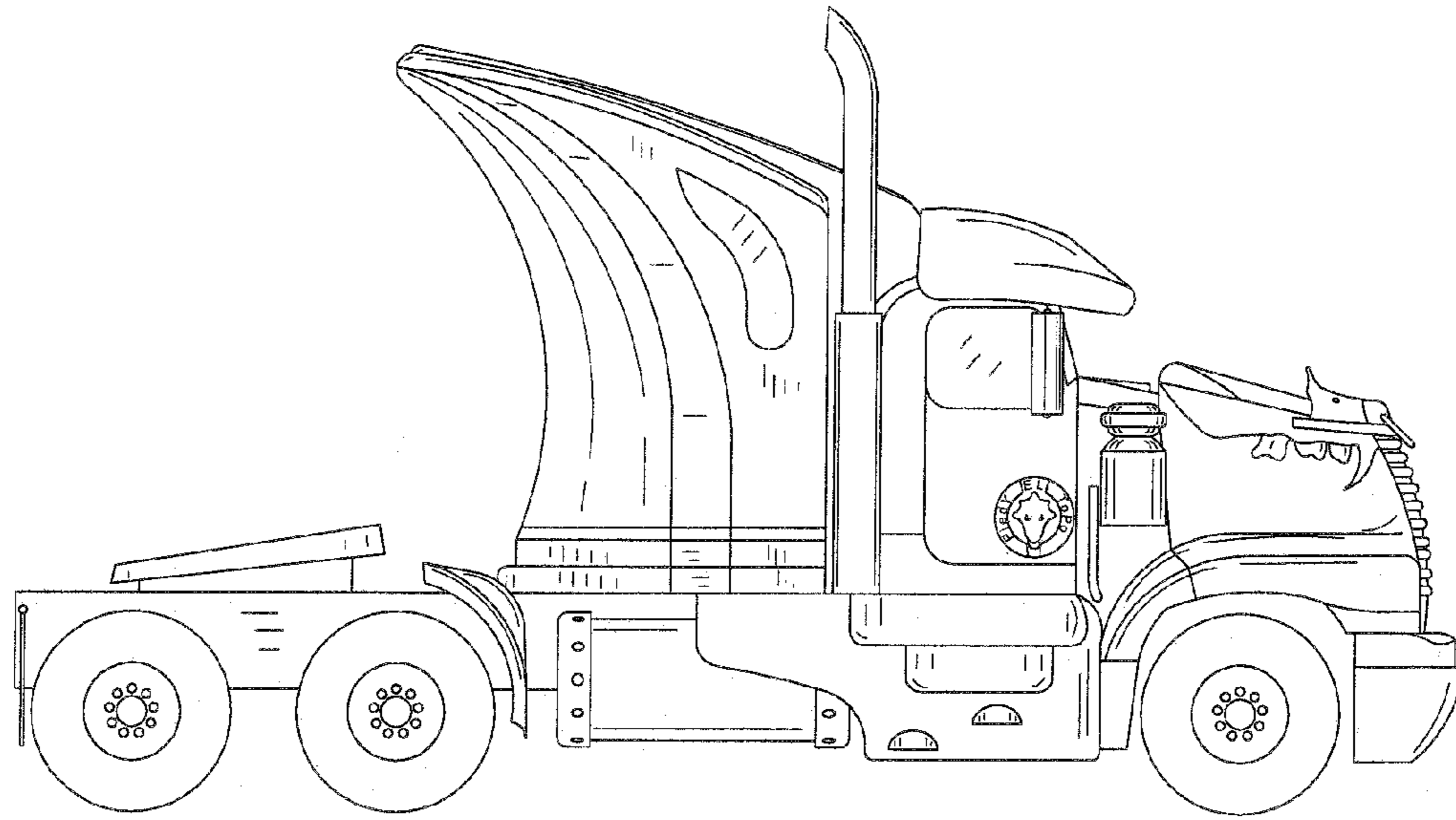


FIG. 1

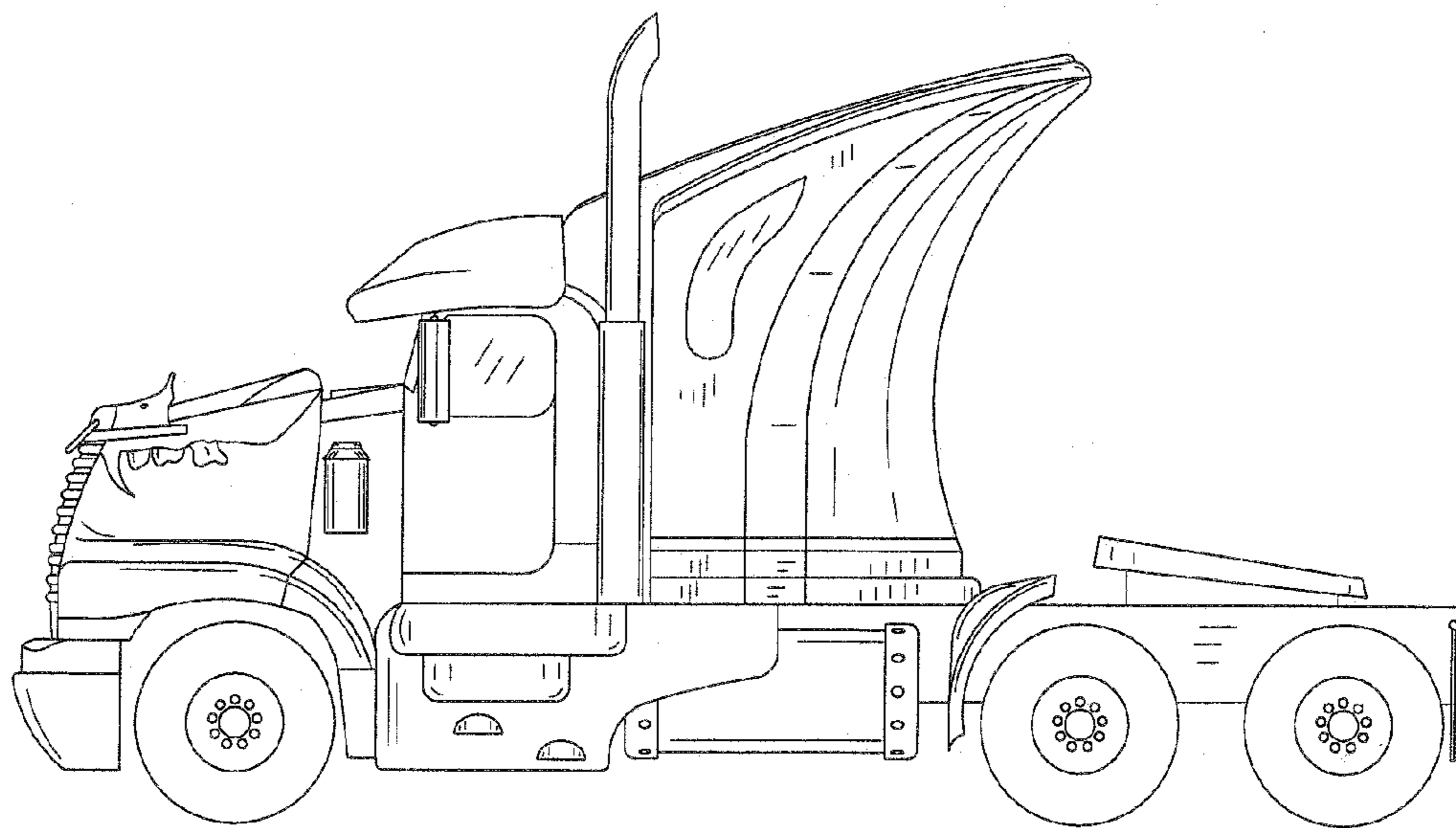


FIG. 2

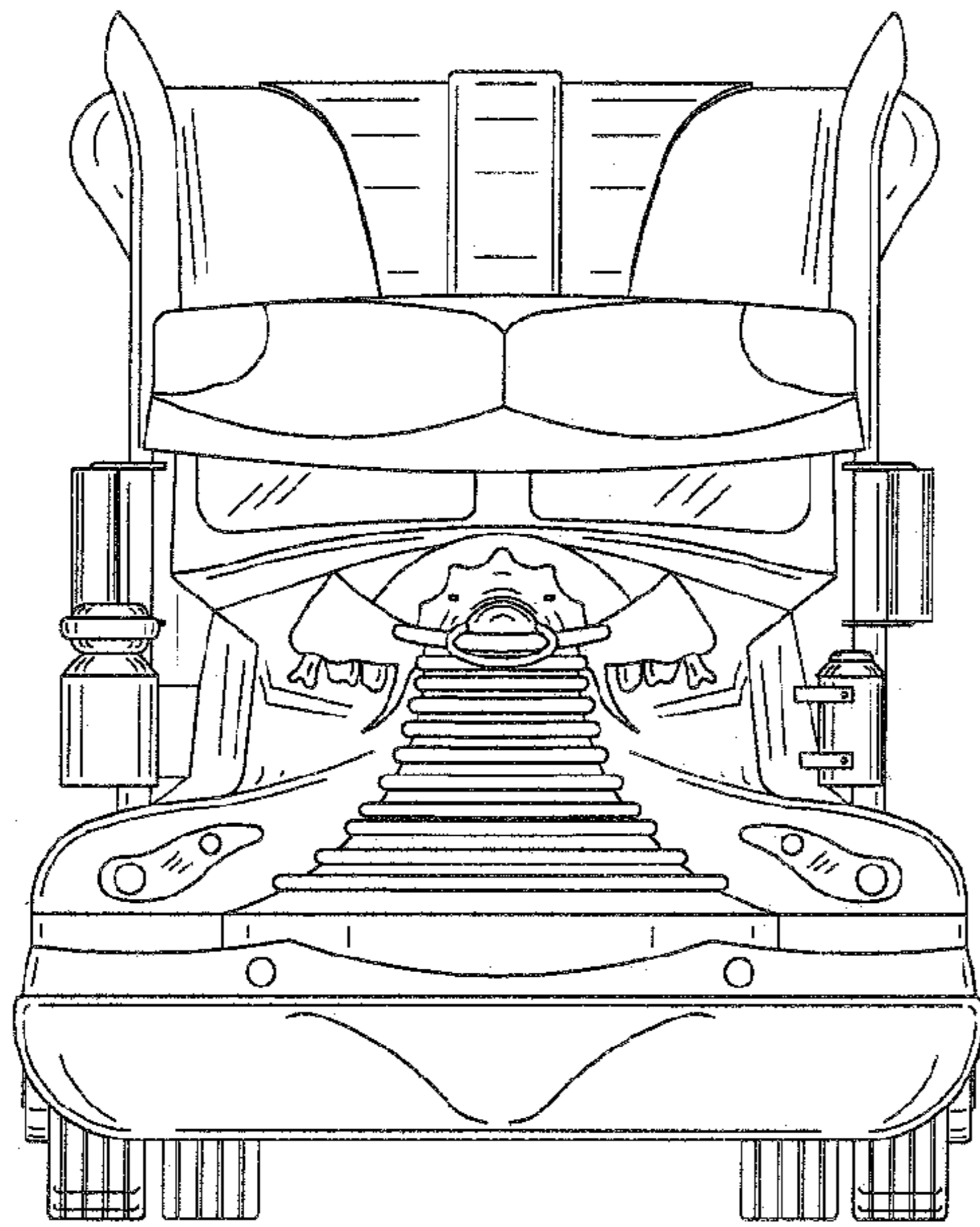


FIG. 3

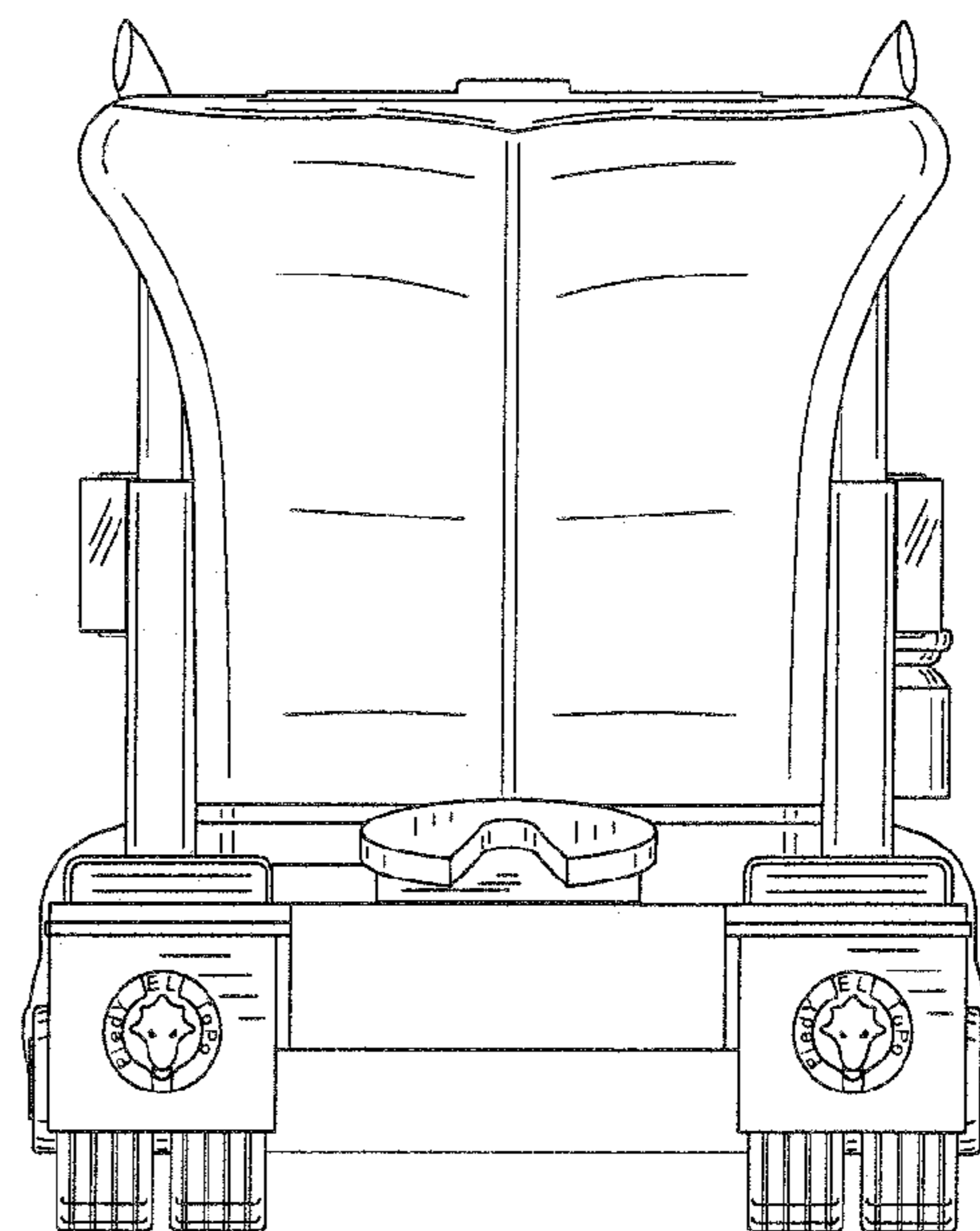


FIG. 4

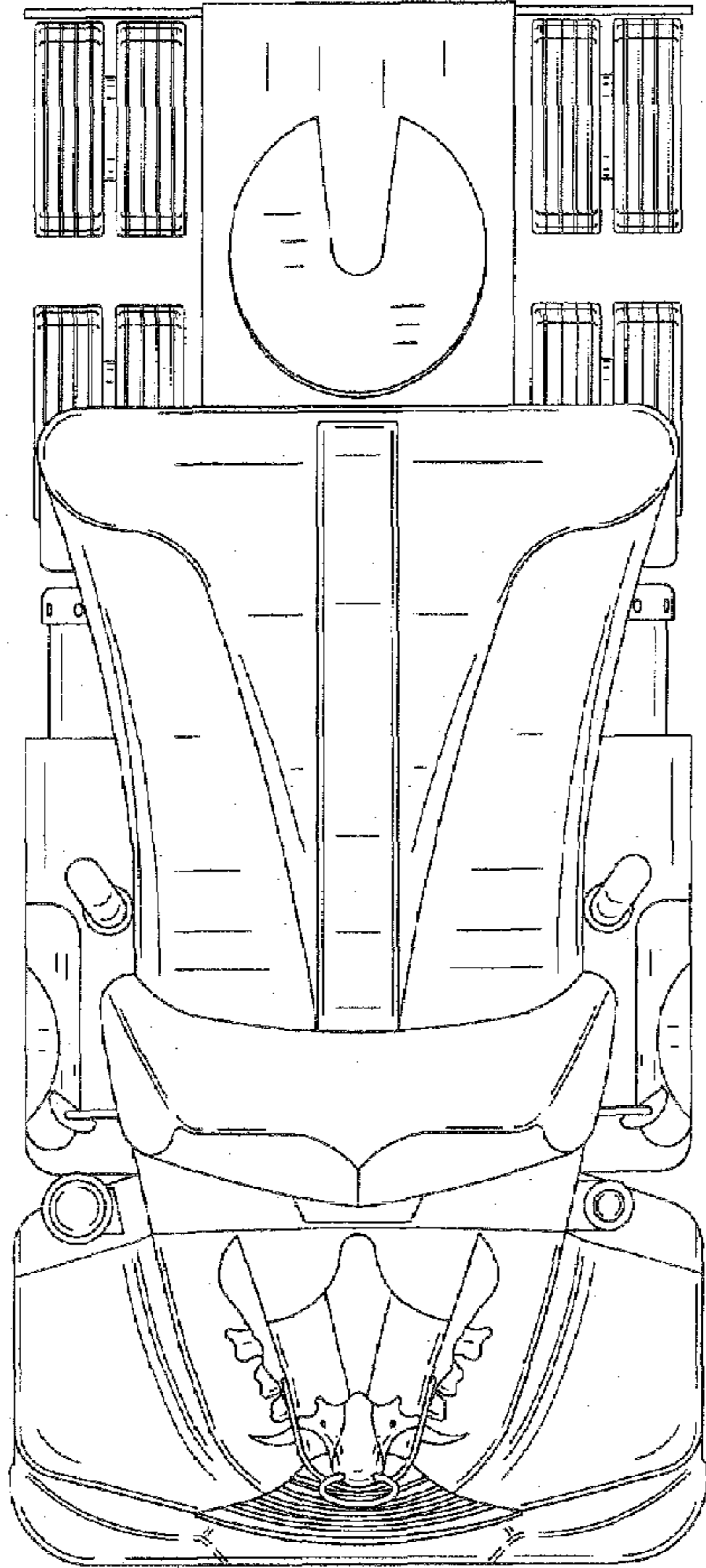


FIG. 5

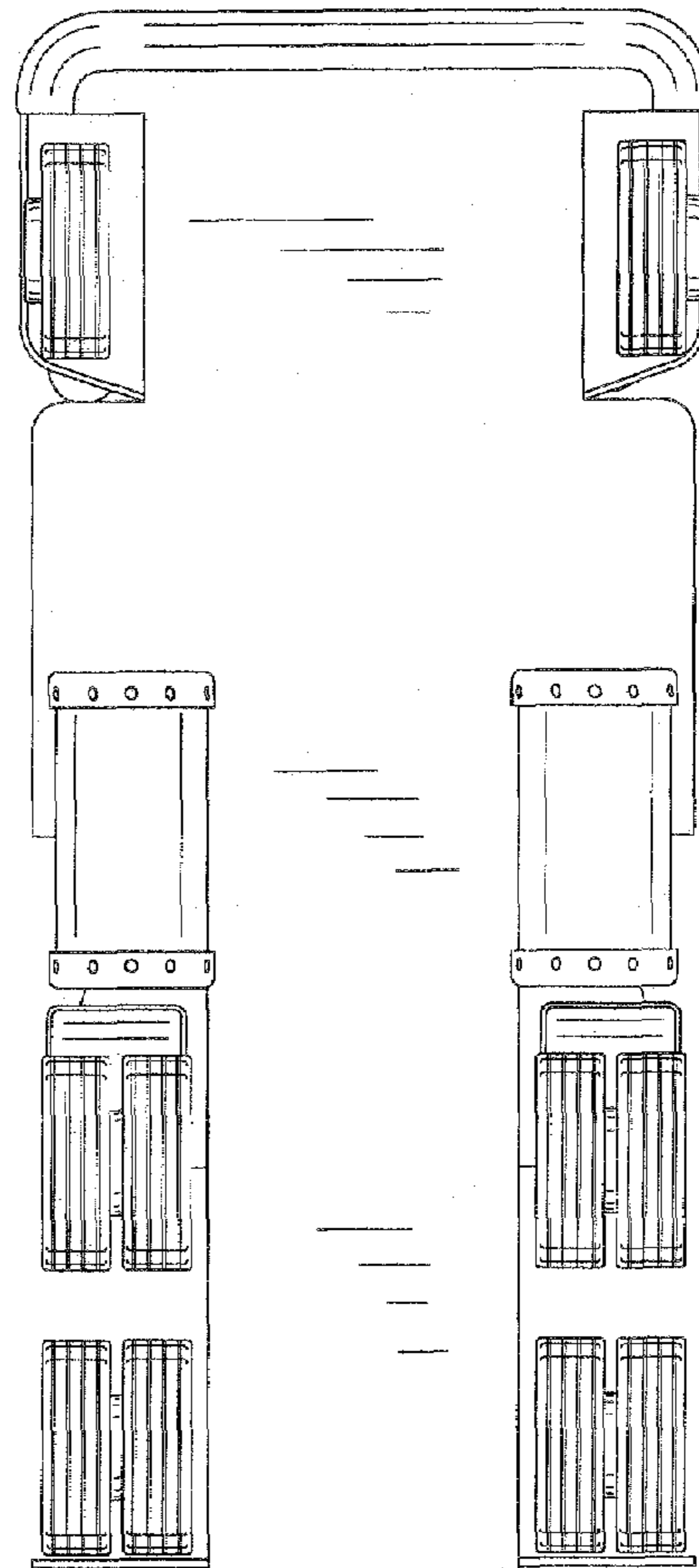


FIG. 6