



US00D593905S

(12) **United States Design Patent**
Kasaba et al.

(10) **Patent No.:** **US D593,905 S**
(45) **Date of Patent:** **** Jun. 9, 2009**

(54) **SUPERCAR**

(75) Inventors: **Michael Edward Kasaba**, Topanga, CA (US); **Brian Robert Huff**, Newbury Park, CA (US); **Aaron James Lehnhardt**, Mission Viejo, CA (US)

(73) Assignee: **California Motors LLC**, Camarillo, CA (US)

(**) Term: **14 Years**

(21) Appl. No.: **29/308,191**

(22) Filed: **Jun. 2, 2008**

(51) **LOC (9) Cl.** **12-08**

(52) **U.S. Cl.** **D12/92**

(58) **Field of Classification Search** D12/86,
D12/90-92, 88; 296/181.1, 181.5
See application file for complete search history.

(56) **References Cited**

U.S. PATENT DOCUMENTS

D425,449 S * 5/2000 Sims et al. D12/92

D566,621 S * 4/2008 Lukasak et al. D12/92
D574,754 S * 8/2008 Miniati et al. D12/92
D575,676 S * 8/2008 Pfeiffer D12/91
D575,678 S * 8/2008 Matsumoto et al. D12/92

* cited by examiner

Primary Examiner—Melody N Brown

(57) **CLAIM**

The ornamental design for a supercar, as shown and described.

DESCRIPTION

FIG. 1 is a front perspective view of the supercar showing our new design.

FIG. 2 is a rear perspective view of the supercar showing our new design.

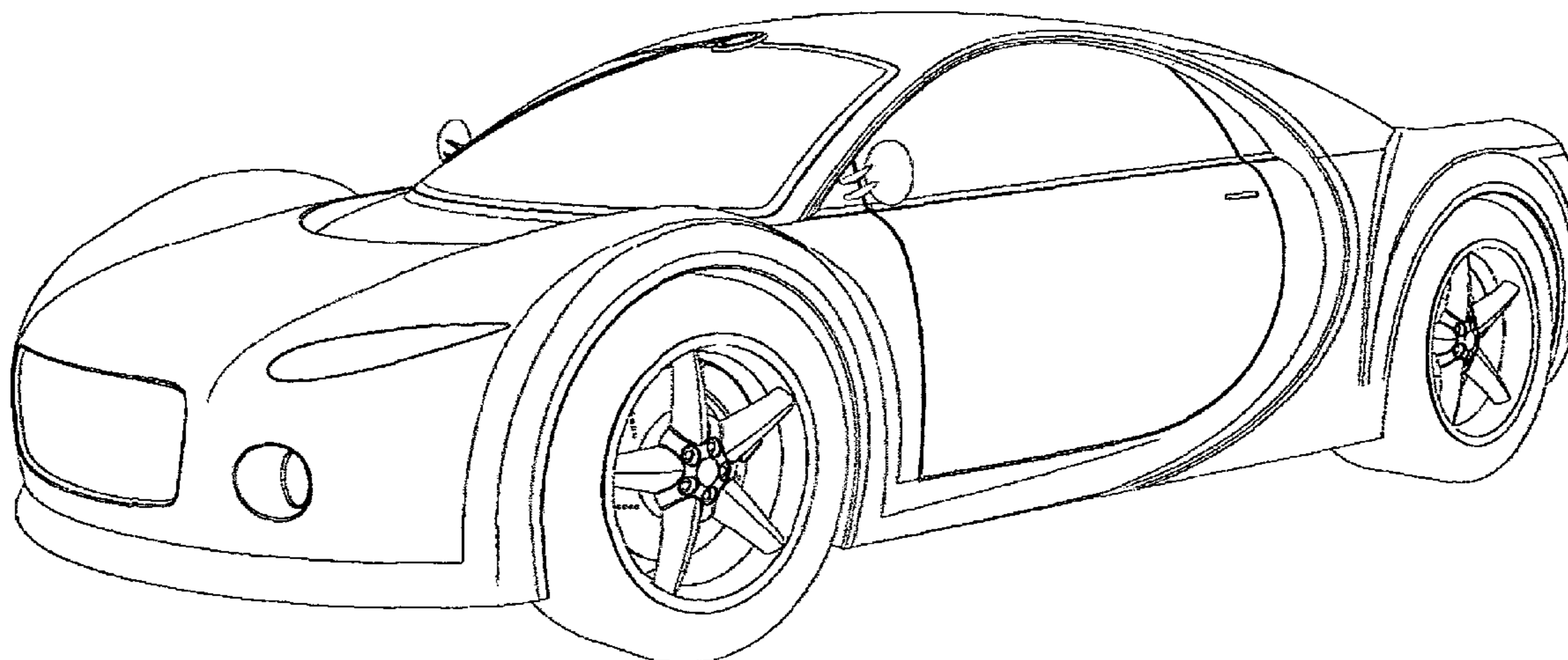
FIG. 3 is a side view thereof.

FIG. 4 is a front view thereof.

FIG. 5 is a rear view thereof; and,

FIG. 6 is a top view thereof.

1 Claim, 6 Drawing Sheets



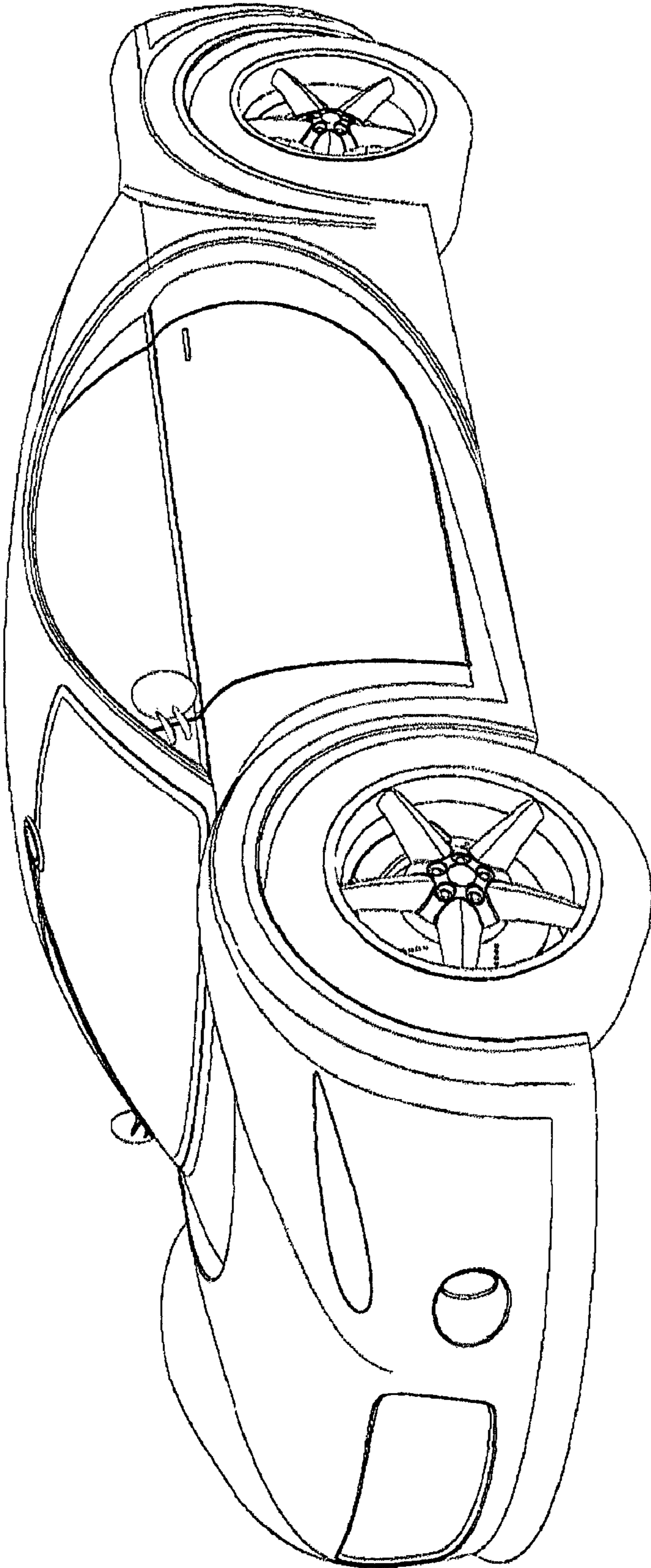


FIG.1

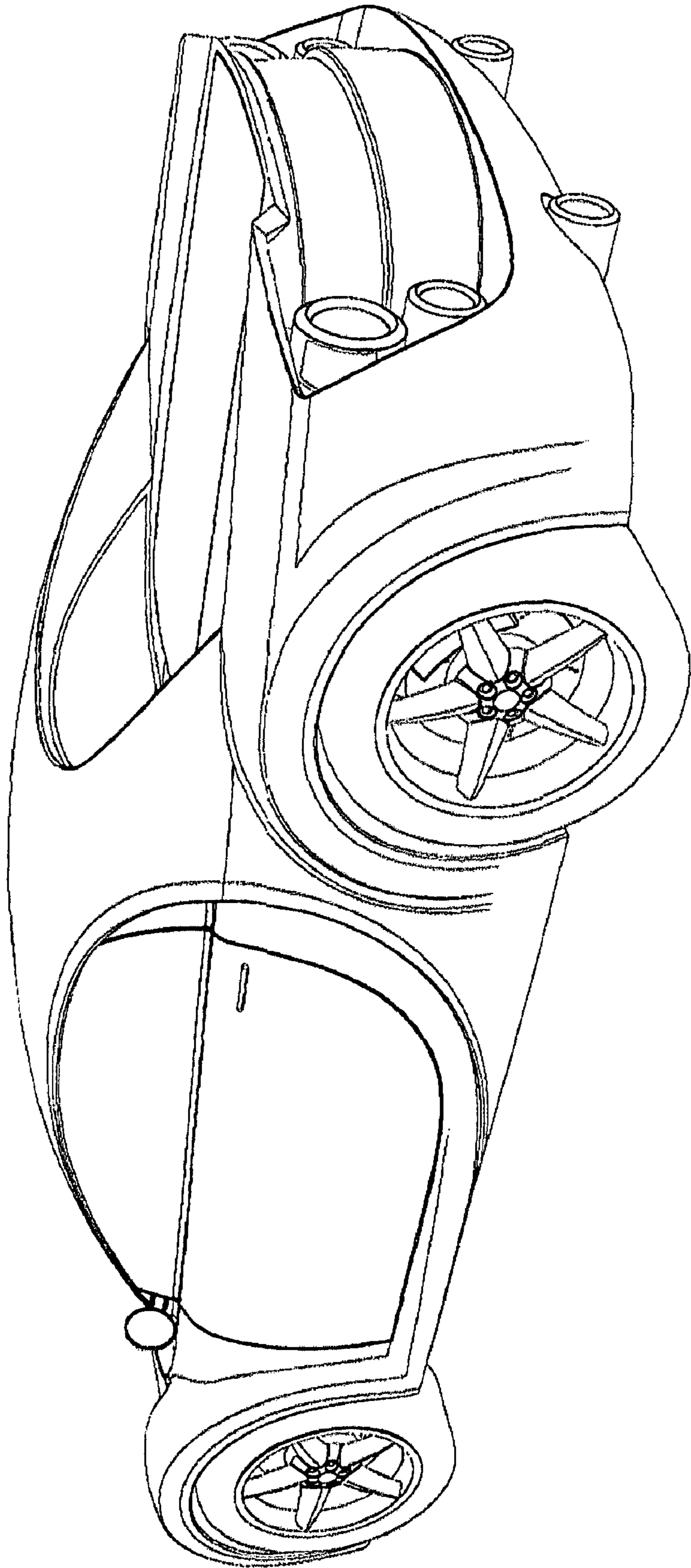


FIG.2

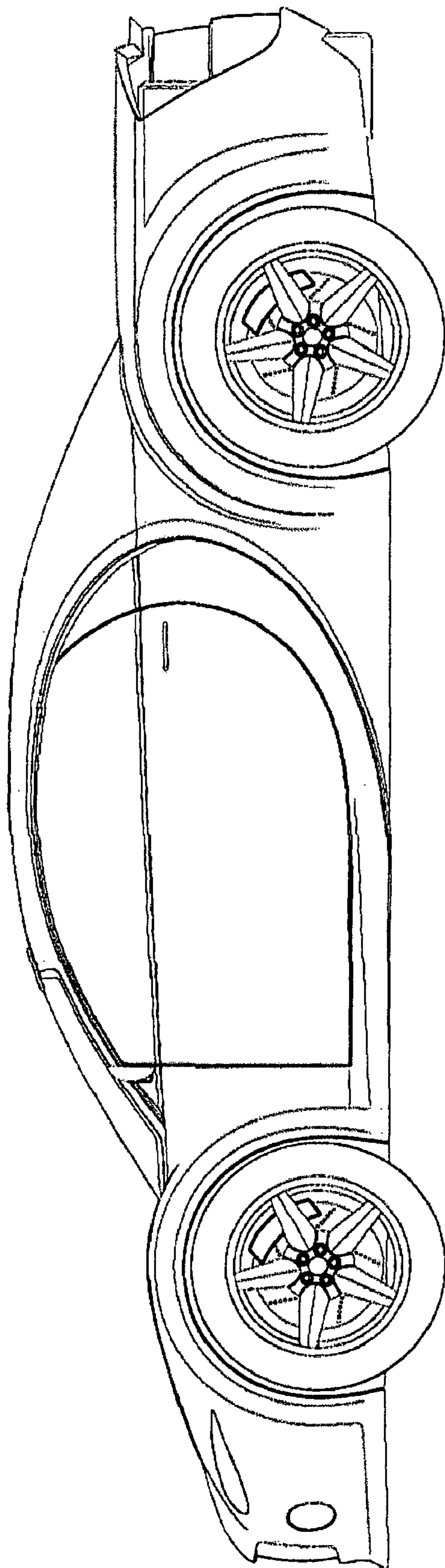


FIG.3

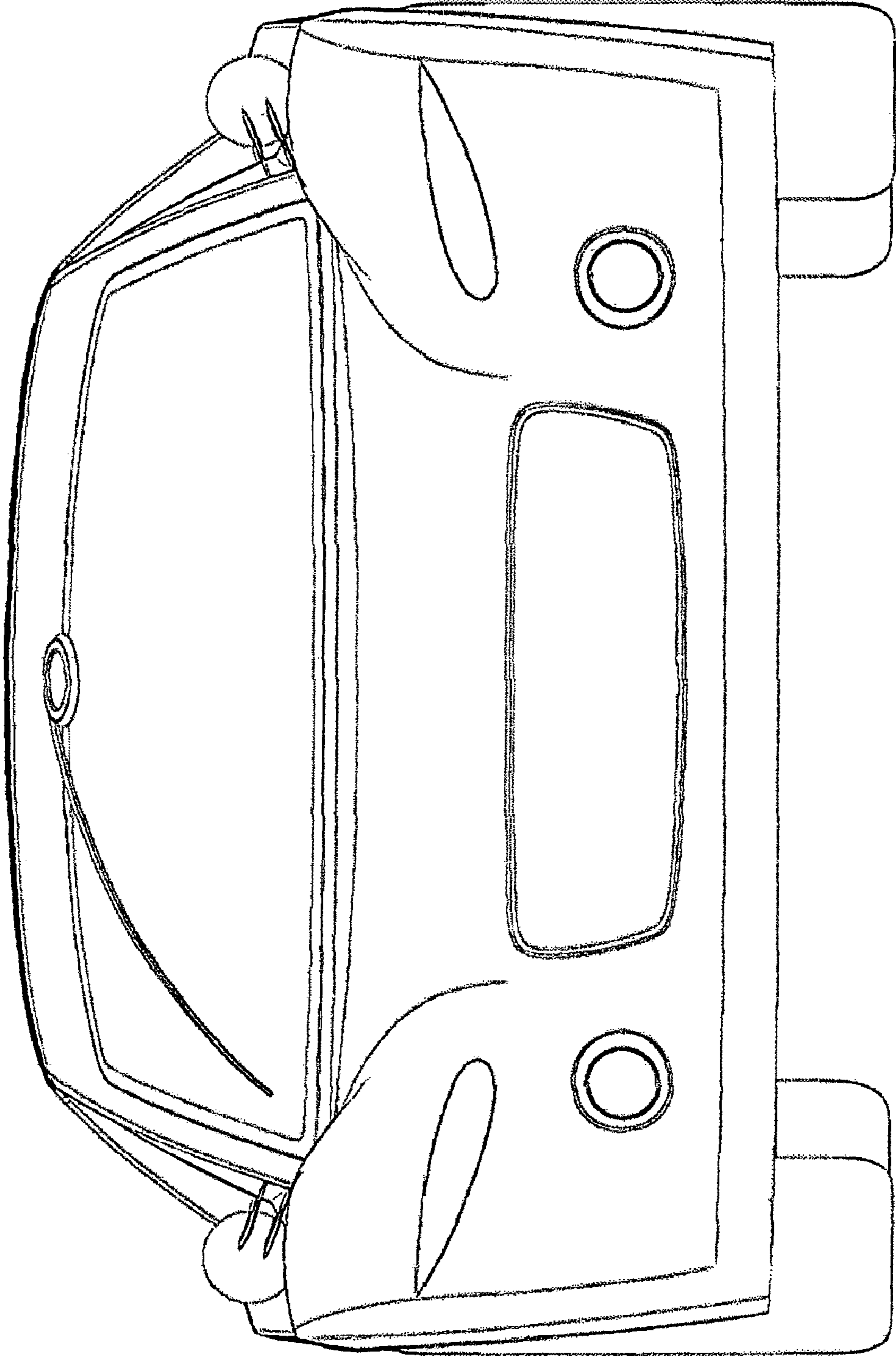


FIG.4

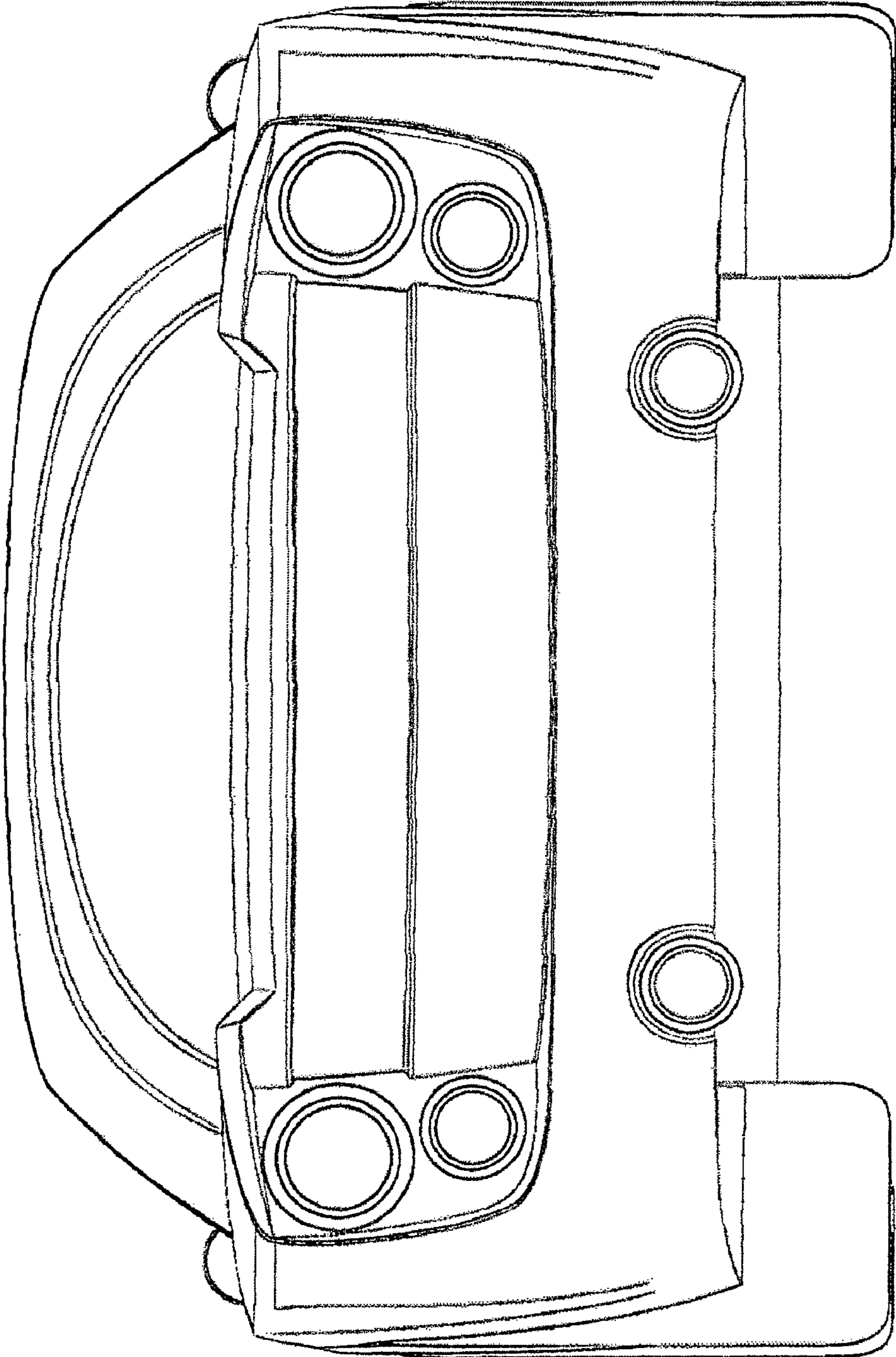


FIG.5

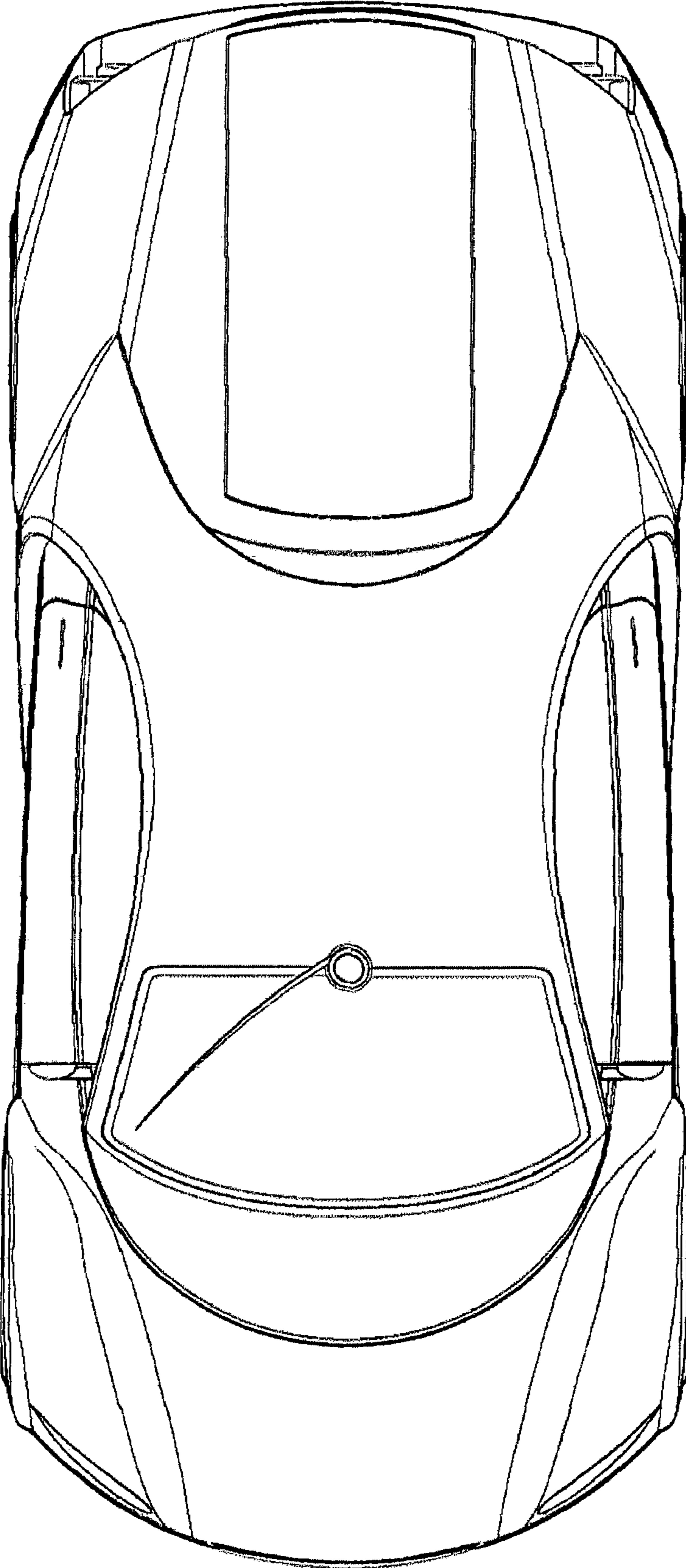


FIG.6