

US00D593904S

(12) **United States Design Patent**
Petit et al.

(10) **Patent No.:** **US D593,904 S**
(45) **Date of Patent:** **** *Jun. 9, 2009**

- (54) **SNOWMOBILE SIDE PANEL**
- (75) Inventors: **Philippe Petit**, Orford (CA); **Christian Lepine**, Sherbrooke (CA); **Pierre Vignau**, Montreal (CA)
- (73) Assignee: **BRP Finland Oy**, Rovaniemi (FI)
- (*) Notice: This patent is subject to a terminal disclaimer.
- (**) Term: **14 Years**
- (21) Appl. No.: **29/303,032**
- (22) Filed: **Jan. 30, 2008**
- (51) **LOC (9) Cl.** **12-14**
- (52) **U.S. Cl.** **D12/7**
- (58) **Field of Classification Search** D12/7,
D12/110, 111, 9, 112, 307, 400, 86, 85, 88;
D21/533; 180/182, 190, 184-186, 9.25,
180/180, 219, 193, 194; 280/845; D6/354
See application file for complete search history.

- D466,049 S 11/2002 Cadotte
- D468,547 S 1/2003 Cadotte et al.
- D477,247 S 7/2003 Cadotte et al.
- D477,248 S 7/2003 Cadotte et al.
- D478,297 S 8/2003 Cadotte et al.
- D478,532 S 8/2003 Crepeau et al.
- D479,490 S 9/2003 Cadotte et al.
- D479,696 S 9/2003 Cadotte et al.
- D479,697 S 9/2003 Cadotte et al.

(Continued)

OTHER PUBLICATIONS

U.S. Appl. No. 29/303,029, filed Jan. 30, 2008. Title: Snowmobile.

(Continued)

Primary Examiner—T. Chase Nelson
Assistant Examiner—Ania K Dworzecka
(74) *Attorney, Agent, or Firm*—Osler, Hoskin & Harcourt LLP

(57) **CLAIM**

The ornamental design for a snowmobile side panel, as shown and described.

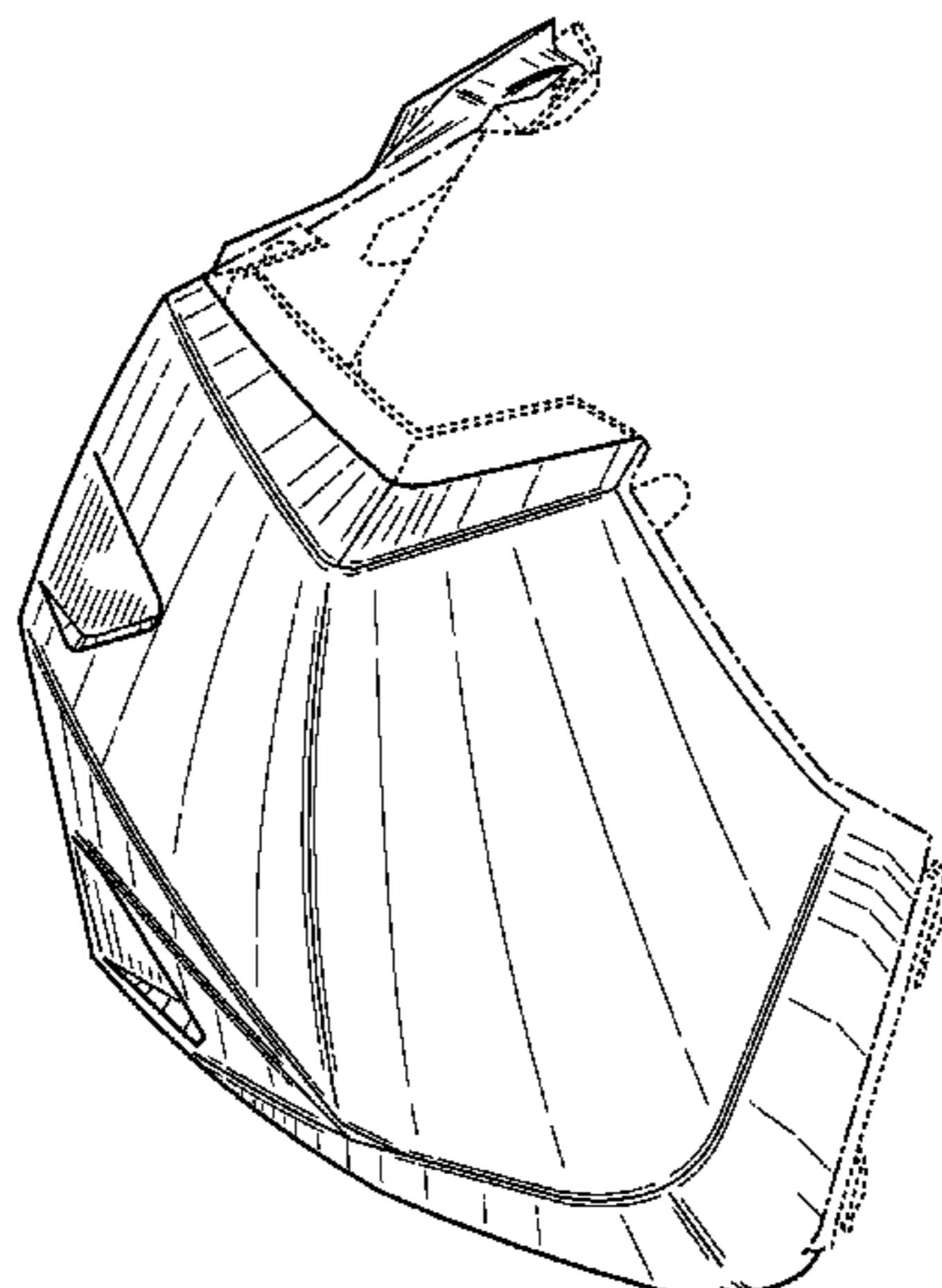
DESCRIPTION

FIG. 1 is a front right perspective view showing a snowmobile side panel according to our design;
FIG. 2 is a right side elevation view thereof;
FIG. 3 is a left side elevation view thereof;
FIG. 4 is a rear elevation view thereof;
FIG. 5 is a front elevation view thereof;
FIG. 6 is a top plan view thereof; and,
FIG. 7 is a bottom plan view thereof.
Throughout the Figures, the dashed broken lines represent environmental matter and/or unclaimed portions of the snowmobile side panel and form no part of the claimed design. The dash-dot broken lines represent the boundary between claimed and unclaimed areas and form no part of the claimed designs.

1 Claim, 7 Drawing Sheets

(56) **References Cited**
U.S. PATENT DOCUMENTS

- D253,883 S 1/1980 Shimasaki
- D264,830 S 6/1982 Ishiyama
- D273,185 S 3/1984 Ishiyama
- D278,892 S 5/1985 Kobayashi
- D314,535 S 2/1991 Matsue
- D319,607 S 9/1991 LaPointe
- D328,575 S 8/1992 Berto
- D334,374 S 3/1993 Hornai
- D342,044 S 12/1993 Hornai
- D342,220 S 12/1993 Hornai
- D346,137 S 4/1994 Hornai
- D389,780 S * 1/1998 Komatsu et al. D12/7
- D403,272 S 12/1998 Cadotte et al.
- D403,273 S 12/1998 Cadotte et al.
- D438,821 S 3/2001 Cadotte et al.
- D446,166 S 8/2001 Cadotte et al.
- D457,106 S 5/2002 Cadotte et al.
- D457,202 S 5/2002 Baskin et al.



US D593,904 S

Page 2

U.S. PATENT DOCUMENTS

D479,813 S	9/2003	Cadotte et al.	D499,669 S	12/2004	Sanschagrín et al.
D479,814 S	9/2003	Cadotte et al.	D505,889 S	6/2005	Girouard et al.
D479,815 S	9/2003	Crepeau et al.	D511,998 S	11/2005	Deluy
D479,816 S	9/2003	Crepeau et al.	D512,662 S	12/2005	Deluy
D480,019 S	9/2003	Cadotte et al.	D515,457 S	2/2006	Deluy
D480,020 S	9/2003	Crepeau et al.	D541,192 S	4/2007	Jokelainen
D487,233 S	3/2004	Cadotte et al.	D548,136 S	8/2007	Musselman
D487,413 S	3/2004	Cadotte et al.	D548,137 S	8/2007	Curthelet
D488,094 S	4/2004	Cadotte et al.	D548,645 S	8/2007	Curthelet
D488,095 S	4/2004	Cadotte et al.	D552,506 S	10/2007	Deluy
D488,096 S	4/2004	Cadotte et al.	D563,271 S	3/2008	Curthelet
D488,097 S	4/2004	Cadotte et al.	D571,256 S *	6/2008	Curthelet D12/7
D488,098 S	4/2004	Cadotte et al.	D580,821 S *	11/2008	Petit D12/7
D488,404 S	4/2004	Cadotte et al.	D580,823 S *	11/2008	Longpre D12/7
D493,121 S	7/2004	Sanschagrín et al.	D580,824 S *	11/2008	Longpre et al. D12/7
D493,390 S	7/2004	Sanschagrín et al.	D581,316 S *	11/2008	Petit D12/7
D494,100 S	8/2004	Sanschagrín et al.			
D494,502 S	8/2004	Sanschagrín et al.			
D494,503 S	8/2004	Sanschagrín et al.			
D494,504 S	8/2004	Sanschagrín et al.			
D494,505 S	8/2004	Sanschagrín et al.			
D494,889 S	8/2004	Sanschagrín et al.			
D495,274 S	8/2004	Sanschagrín et al.			
D495,973 S	9/2004	Cadotte et al.			
D496,883 S	10/2004	Sanschagrín et al.			

OTHER PUBLICATIONS

U.S. Appl. No. 29/303,030, filed Jan. 30, 2008. Title: Snowmobile Side Panel.

U.S. Appl. No. 29/303,035, filed Jan. 30, 2008. Title: Snowmobile Hood.

U.S. Appl. No. 29/303,034, filed Jan. 30, 2008. Title: Snowmobile Access Panel.

U.S. Appl. No. 29/303,033, filed Jan. 30, 2008. Title: Snowmobile Access Panel.

* cited by examiner

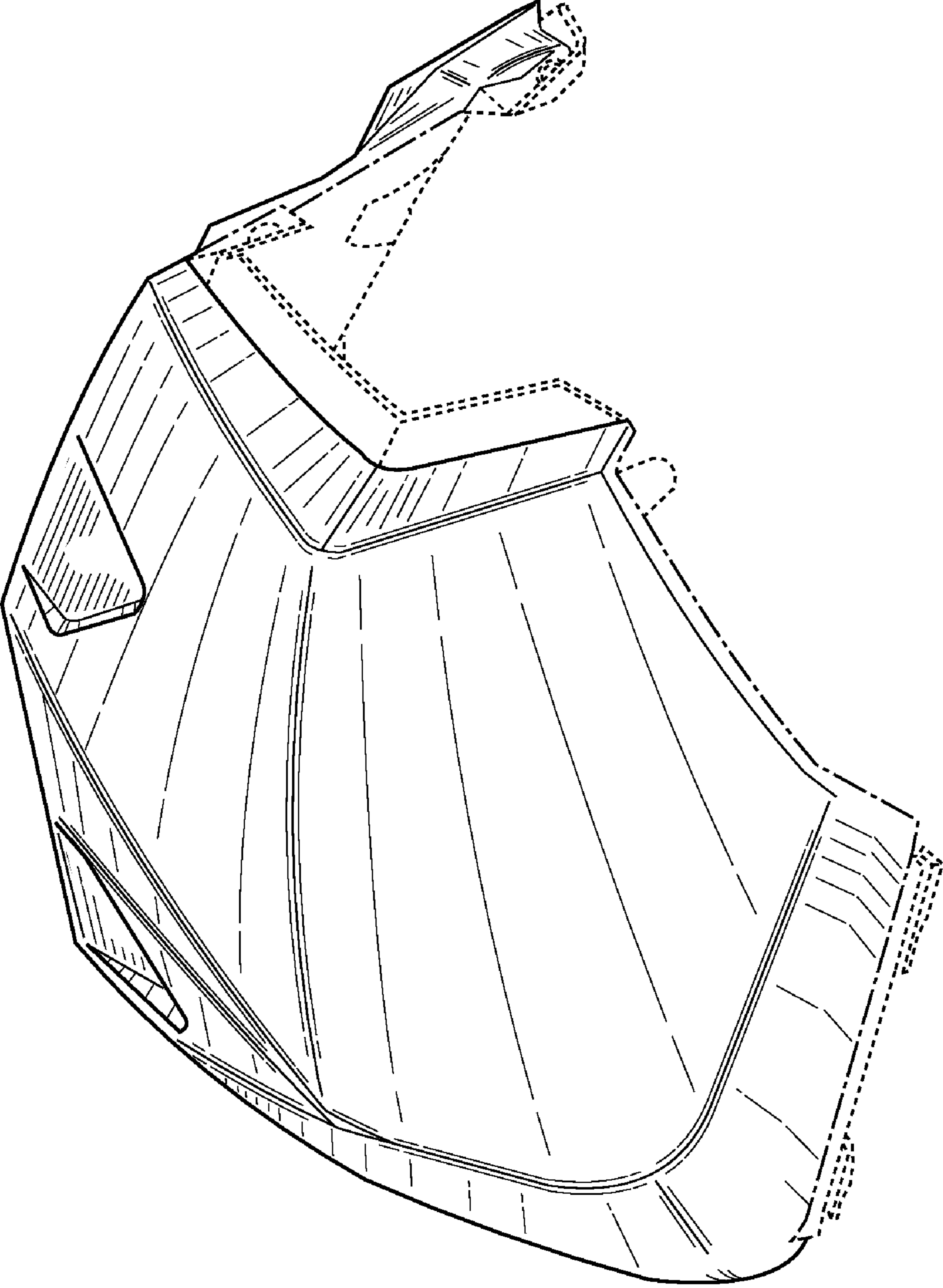


FIG. 1

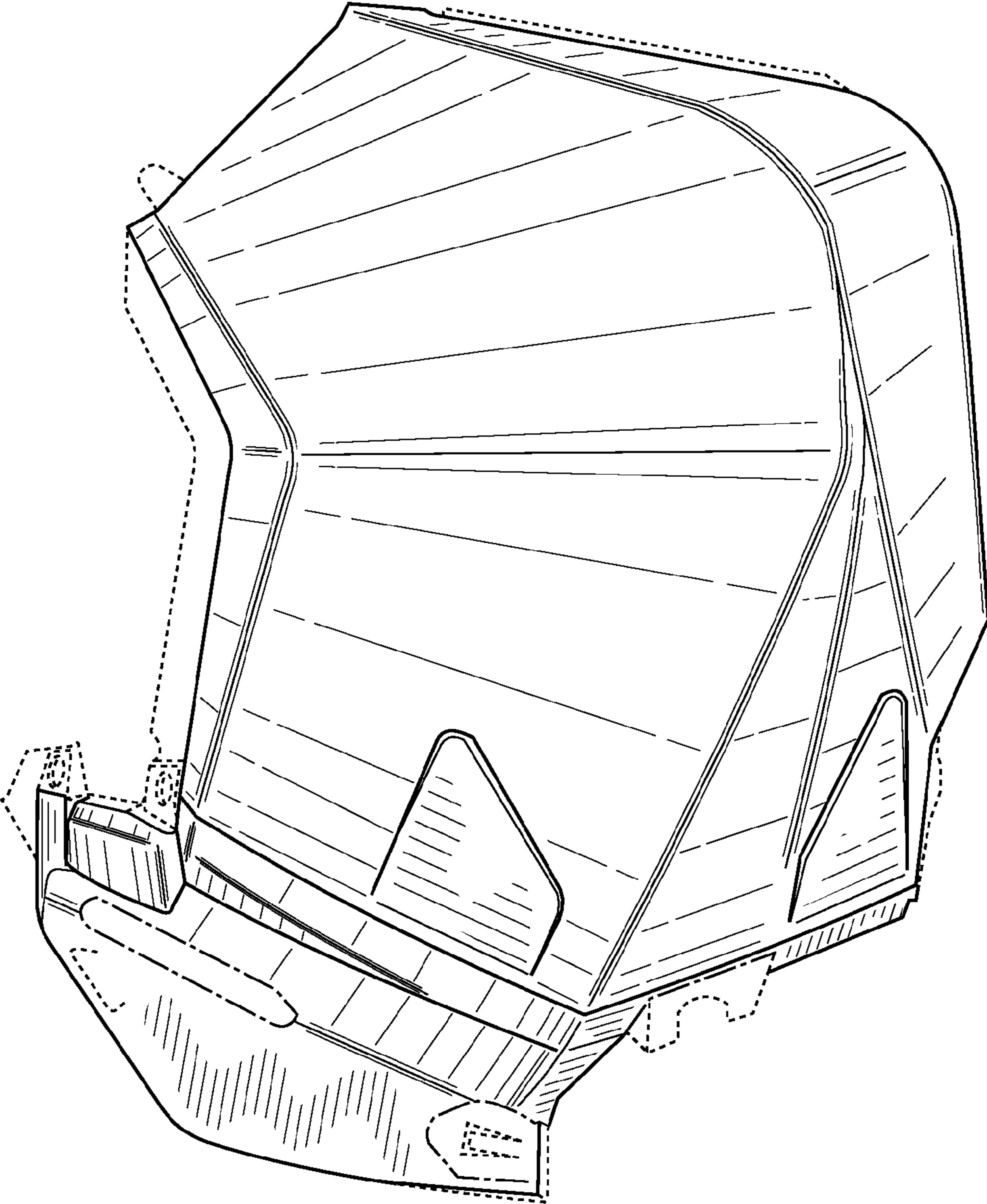


FIG. 2

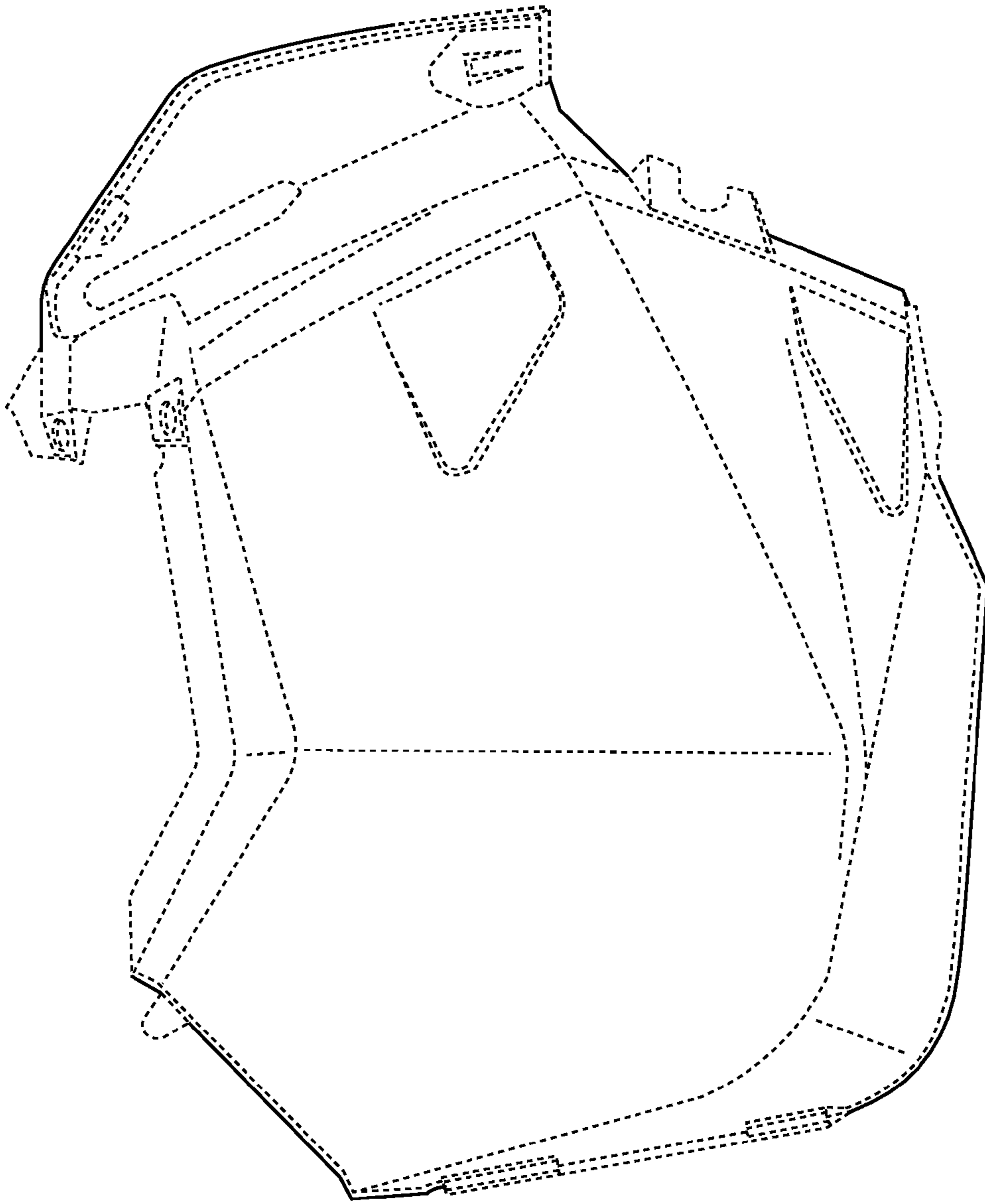


FIG. 3

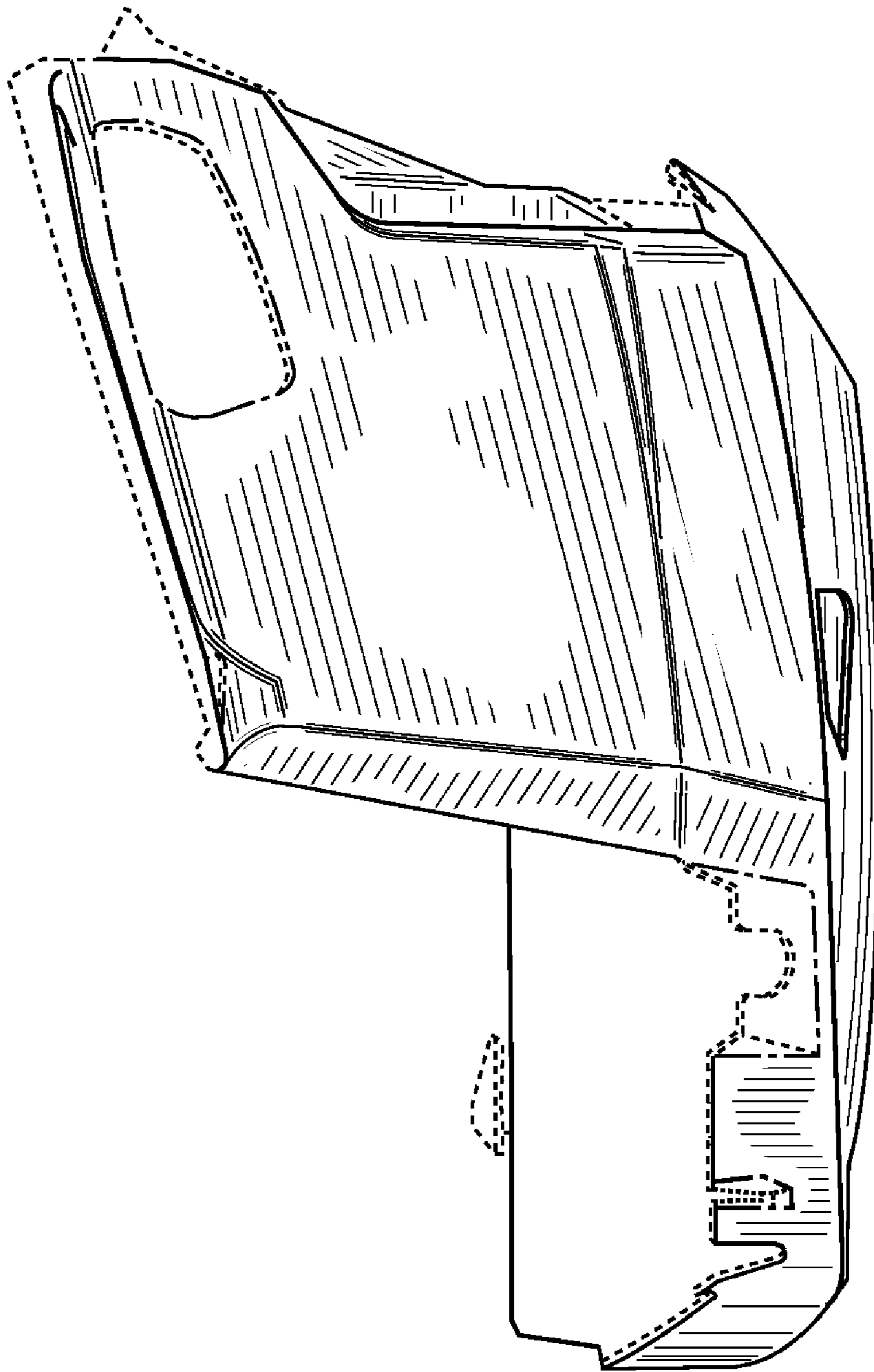


FIG. 4

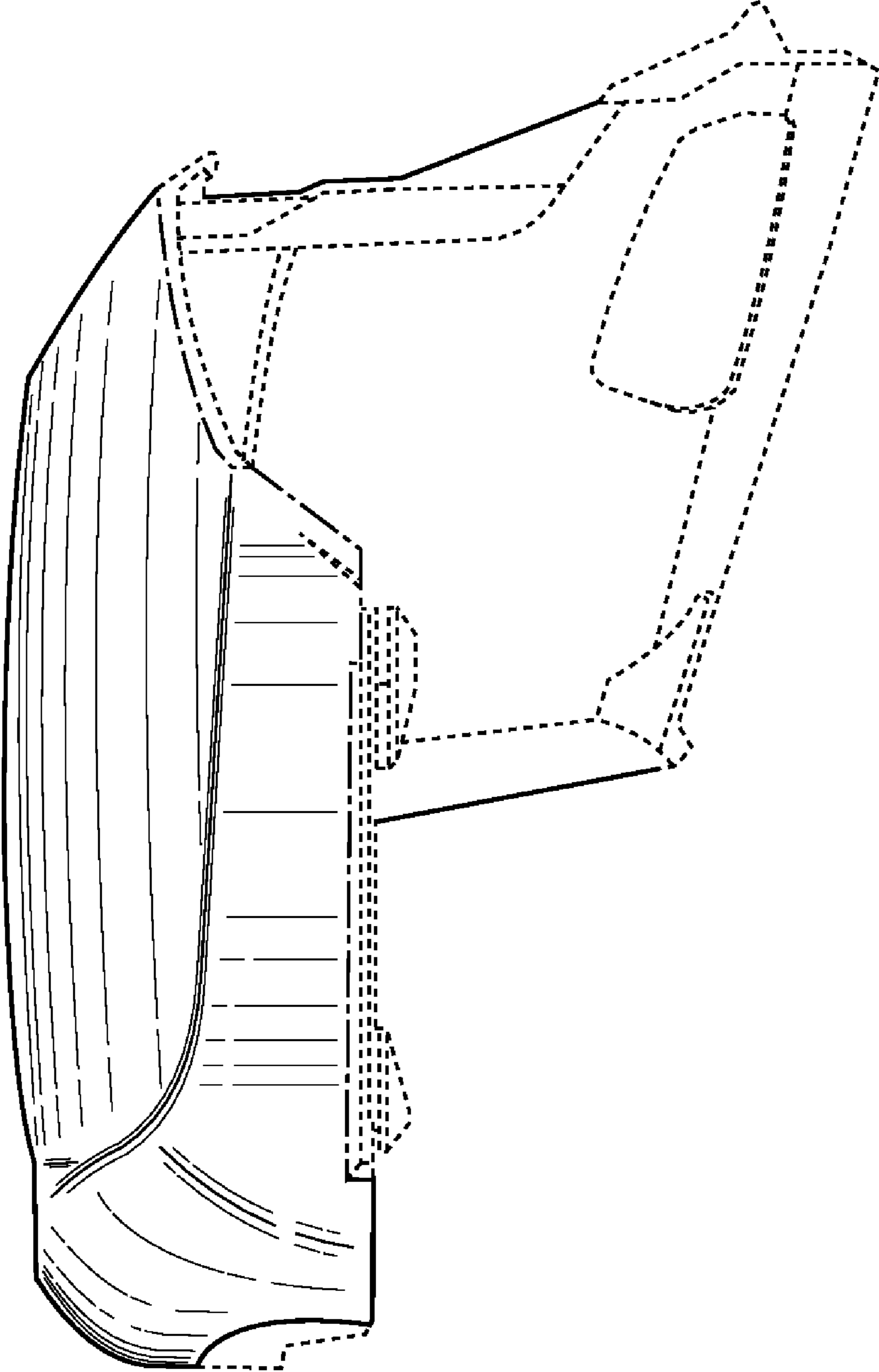


FIG. 5

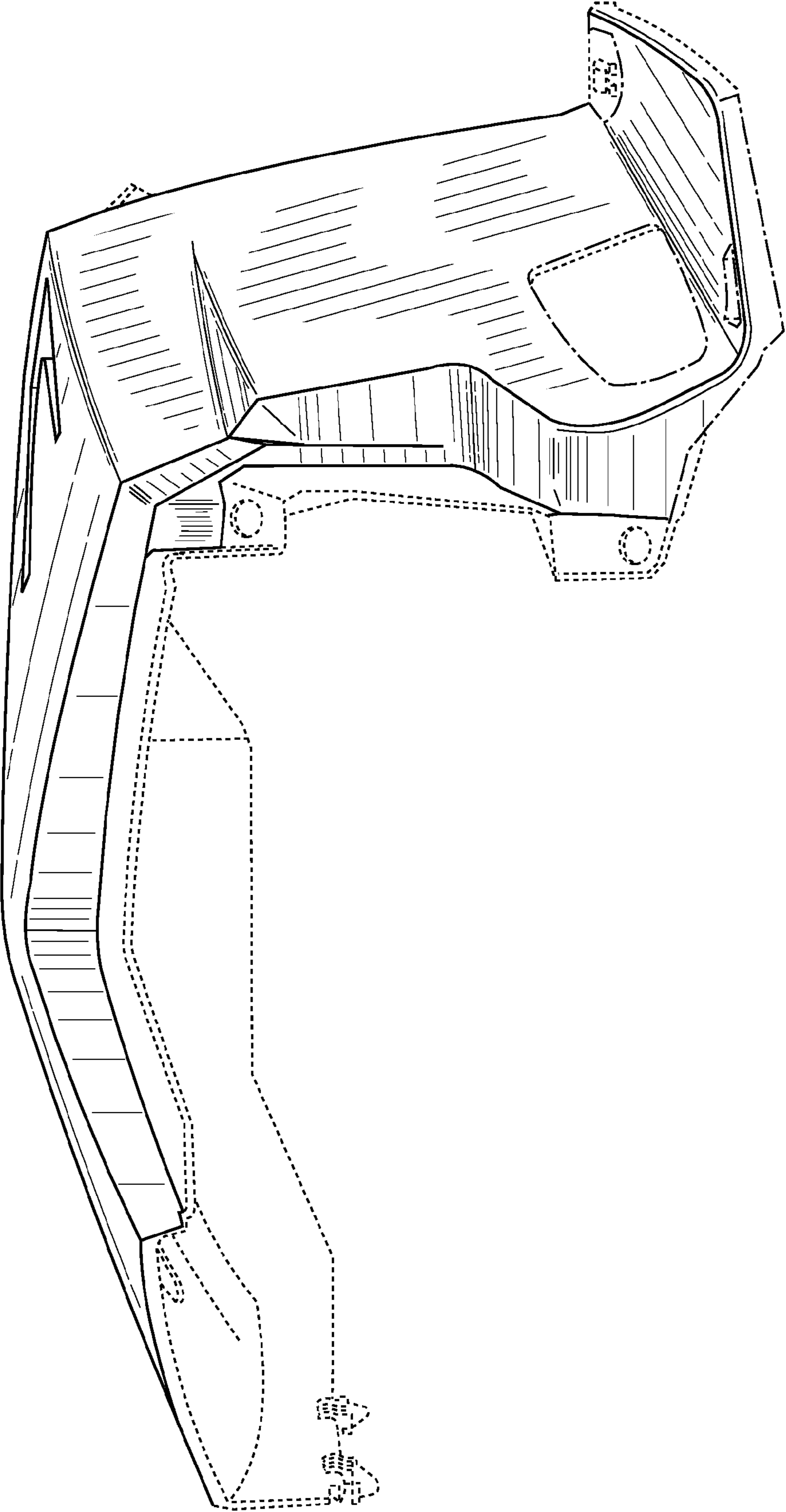


FIG. 6

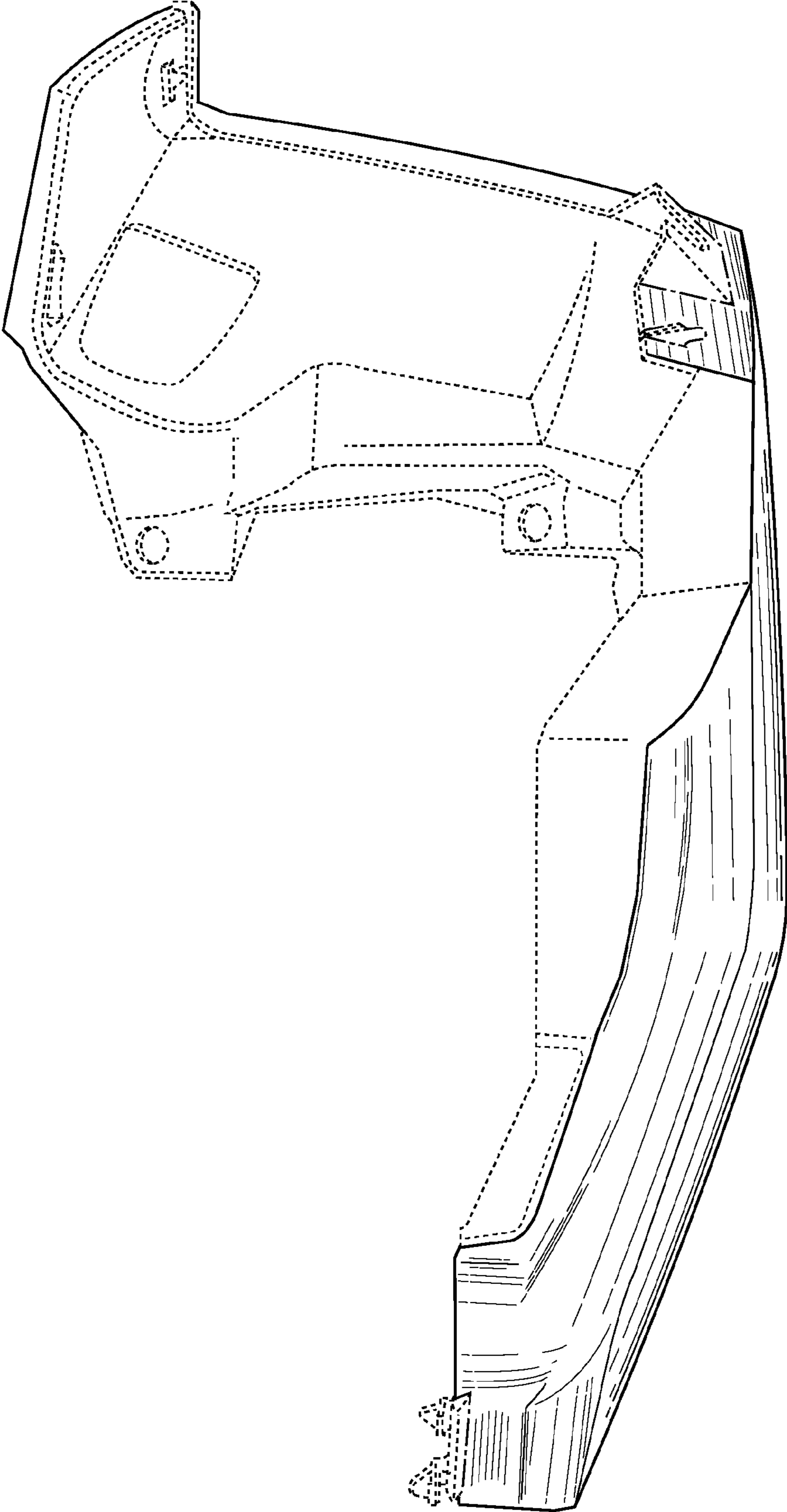


FIG. 7