

US00D593903S

(12) **United States Design Patent**
Petit et al.

(10) **Patent No.:** **US D593,903 S**
(45) **Date of Patent:** **** Jun. 9, 2009**

(54) **SNOWMOBILE SIDE PANEL**
(75) Inventors: **Philippe Petit**, Orford (CA); **Christian Lepine**, Sherbrooke (CA); **Pierre Vignau**, Montreal (CA)

D477,248 S 7/2003 Cadotte et al.
D478,297 S 8/2003 Cadotte et al.
D478,532 S 8/2003 Crepeau et al.
D479,490 S 9/2003 Cadotte et al.
D479,696 S 9/2003 Cadotte et al.
D479,697 S 9/2003 Cadotte et al.
D479,813 S 9/2003 Cadotte et al.
D479,814 S 9/2003 Cadotte et al.
D479,815 S 9/2003 Crepeau et al.

(73) Assignee: **BRP Finland Oy**, Rovaniemi (FI)

(**) Term: **14 Years**

(Continued)

(21) Appl. No.: **29/303,030**

OTHER PUBLICATIONS

(22) Filed: **Jan. 30, 2008**

U.S. Appl. No. 29/303,029, filed Jan. 30, 2008. Title: Snowmobile.

(51) **LOC (9) Cl.** **12-14**

(Continued)

(52) **U.S. Cl.** **D12/7**

(58) **Field of Classification Search** D12/7,
D12/110, 111, 9, 112, 307, 400, 86, 85, 88;
D21/533; 180/182, 190, 184-186, 9.25,
180/180, 219, 193, 194; 280/845; D6/354

See application file for complete search history.

Primary Examiner—T. Chase Nelson

Assistant Examiner—Ania K Dworzecka

(74) *Attorney, Agent, or Firm*—Osler, Hoskin & Harcourt LLP

(56) **References Cited**

(57) **CLAIM**

U.S. PATENT DOCUMENTS

The ornamental design for a snowmobile side panel, as shown and described.

D253,883 S	1/1980	Shimasaki	
D264,830 S	6/1982	Ishiyama	
D273,185 S	3/1984	Ishiyama	
D278,892 S	5/1985	Kobayashi	
D314,535 S	2/1991	Matsue	
D319,607 S	9/1991	Lapointe	
D328,575 S	8/1992	Berto	
D334,374 S	3/1993	Hornai	
D342,044 S	12/1993	Hornai	
D342,220 S	12/1993	Hornai	
D346,137 S	4/1994	Hornai	
D389,780 S *	1/1998	Komatsu et al. D12/7
D403,272 S	12/1998	Cadotte et al.	
D403,273 S	12/1998	Cadotte et al.	
D438,821 S	3/2001	Cadotte et al.	
D446,166 S	8/2001	Cadotte et al.	
D457,106 S	5/2002	Cadotte et al.	
D457,202 S	5/2002	Baskin et al.	
D466,049 S	11/2002	Cadotte	
D468,547 S	1/2003	Cadotte et al.	
D477,247 S	7/2003	Cadotte et al.	

DESCRIPTION

FIG. 1 is a front left perspective view showing a snowmobile side panel according to our design;

FIG. 2 is a left side elevation view thereof;

FIG. 3 is a right side elevation view thereof;

FIG. 4 is a rear elevation view thereof;

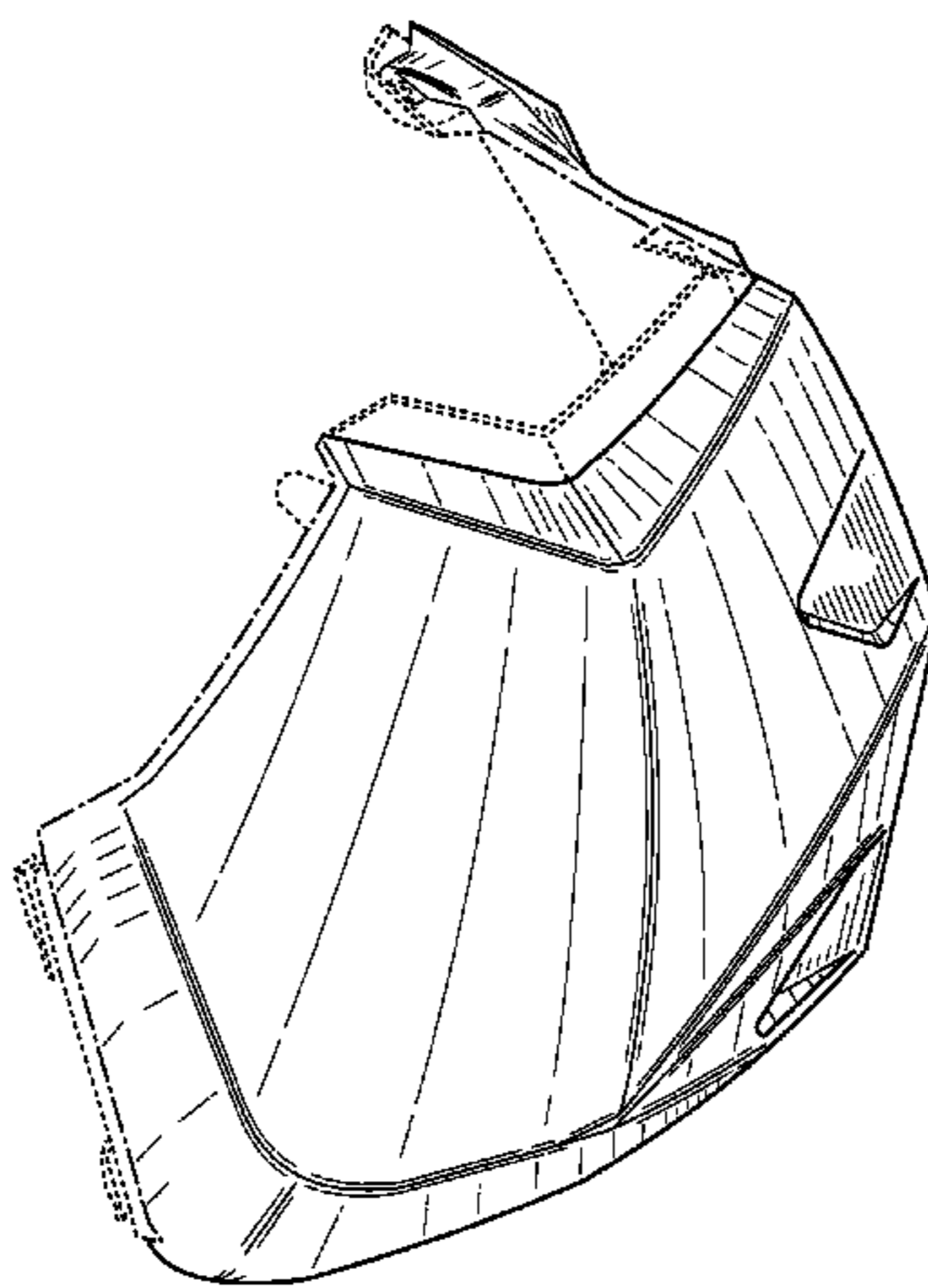
FIG. 5 is a front elevation view thereof;

FIG. 6 is a top plan view thereof; and,

FIG. 7 is a bottom plan view thereof.

Throughout the Figures, the dashed broken lines represent environmental matter and/or unclaimed portions of the snowmobile side panel and form no part of the claimed design. The dash-dot broken lines represent the boundary between claimed and unclaimed areas and form no part of the claimed designs.

1 Claim, 7 Drawing Sheets



US D593,903 S

Page 2

U.S. PATENT DOCUMENTS

D479,816 S 9/2003 Crepeau et al.
D480,019 S 9/2003 Cadotte et al.
D480,020 S 9/2003 Crepeau et al.
D487,233 S 3/2004 Cadotte et al.
D487,413 S 3/2004 Cadotte et al.
D488,094 S 4/2004 Cadotte et al.
D488,095 S 4/2004 Cadotte et al.
D488,096 S 4/2004 Cadotte et al.
D488,097 S 4/2004 Cadotte et al.
D488,098 S 4/2004 Cadotte et al.
D488,404 S 4/2004 Cadotte et al.
D493,121 S 7/2004 Sanschagrín et al.
D493,390 S 7/2004 Sanschagrín et al.
D494,100 S 8/2004 Sanschagrín et al.
D494,502 S 8/2004 Sanschagrín et al.
D494,503 S 8/2004 Sanschagrín et al.
D494,504 S 8/2004 Sanschagrín et al.
D494,505 S 8/2004 Sanschagrín et al.
D494,889 S 8/2004 Sanschagrín et al.
D495,274 S 8/2004 Sanschagrín et al.
D495,973 S 9/2004 Cadotte et al.
D496,883 S 10/2004 Sanschagrín et al.
D499,669 S 12/2004 Sanschagrín et al.
D505,889 S 6/2005 Girouard et al.

D511,998 S 11/2005 Deluy
D512,662 S 12/2005 Deluy
D515,457 S 2/2006 Deluy
D541,192 S 4/2007 Jokelainen
D548,136 S 8/2007 Musselman
D548,137 S 8/2007 Curthelet
D548,645 S 8/2007 Curthelet
D552,506 S 10/2007 Deluy
D563,271 S 3/2008 Curthelet
D571,256 S * 6/2008 Curthelet D12/7
D580,821 S * 11/2008 Petit D12/7
D580,823 S * 11/2008 Longpre D12/7
D580,824 S * 11/2008 Longpre et al. D12/7
D581,316 S * 11/2008 Petit D12/7

OTHER PUBLICATIONS

U.S. Appl. No. 29/303,032, filed Jan. 30, 2008. Title: Snowmobile Side Panel.
U.S. Appl. No. 29/303,035, filed Jan. 30, 2008. Title: Snowmobile Hood.
U.S. Appl. No. 29/303,034, filed Jan. 30, 2008. Title: Snowmobile Access Panel.
U.S. Appl. No. 29/303,033, filed Jan. 30, 2008. Title: Snowmobile Access Panel.

* cited by examiner

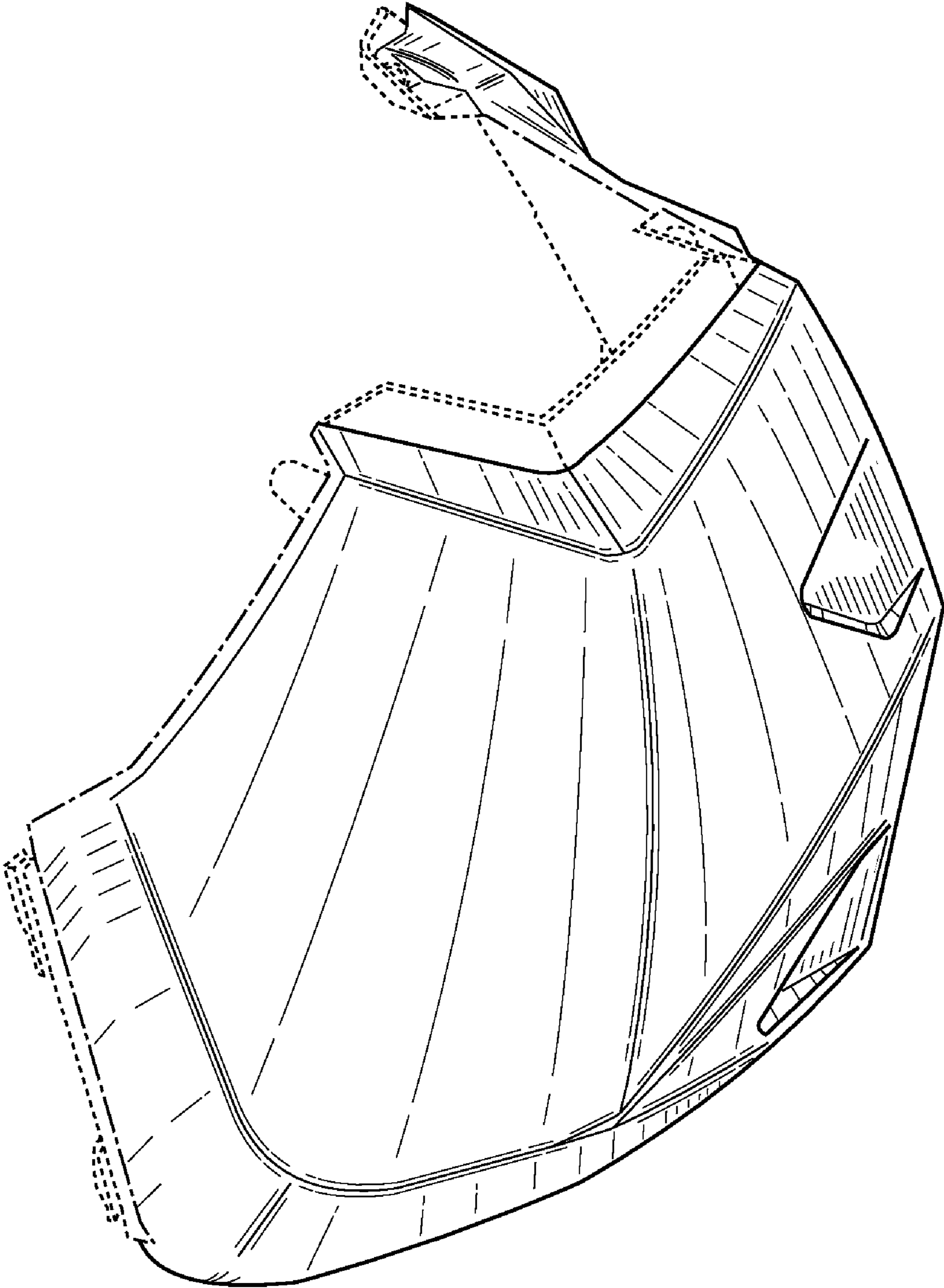


FIG. 1

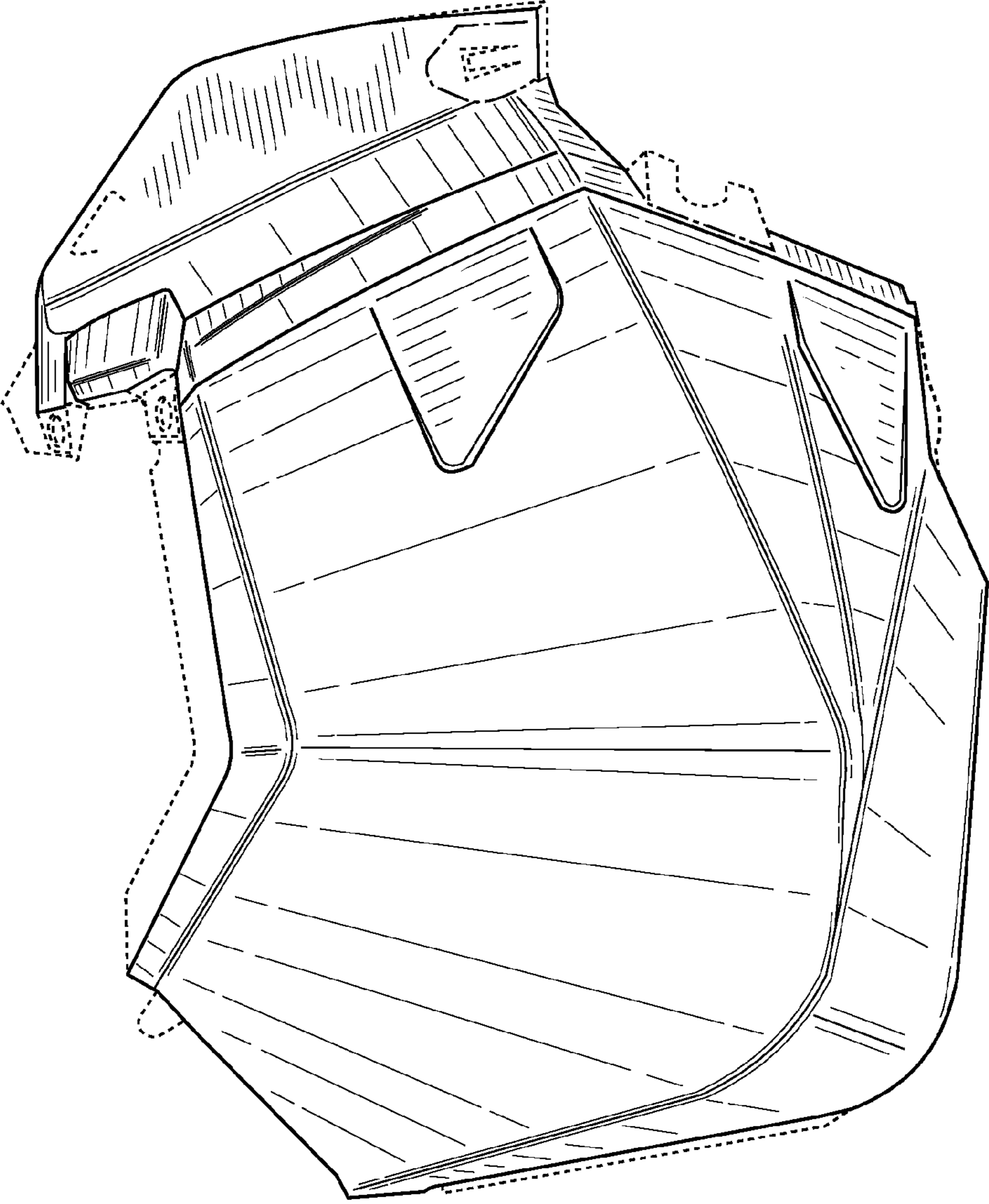


FIG. 2

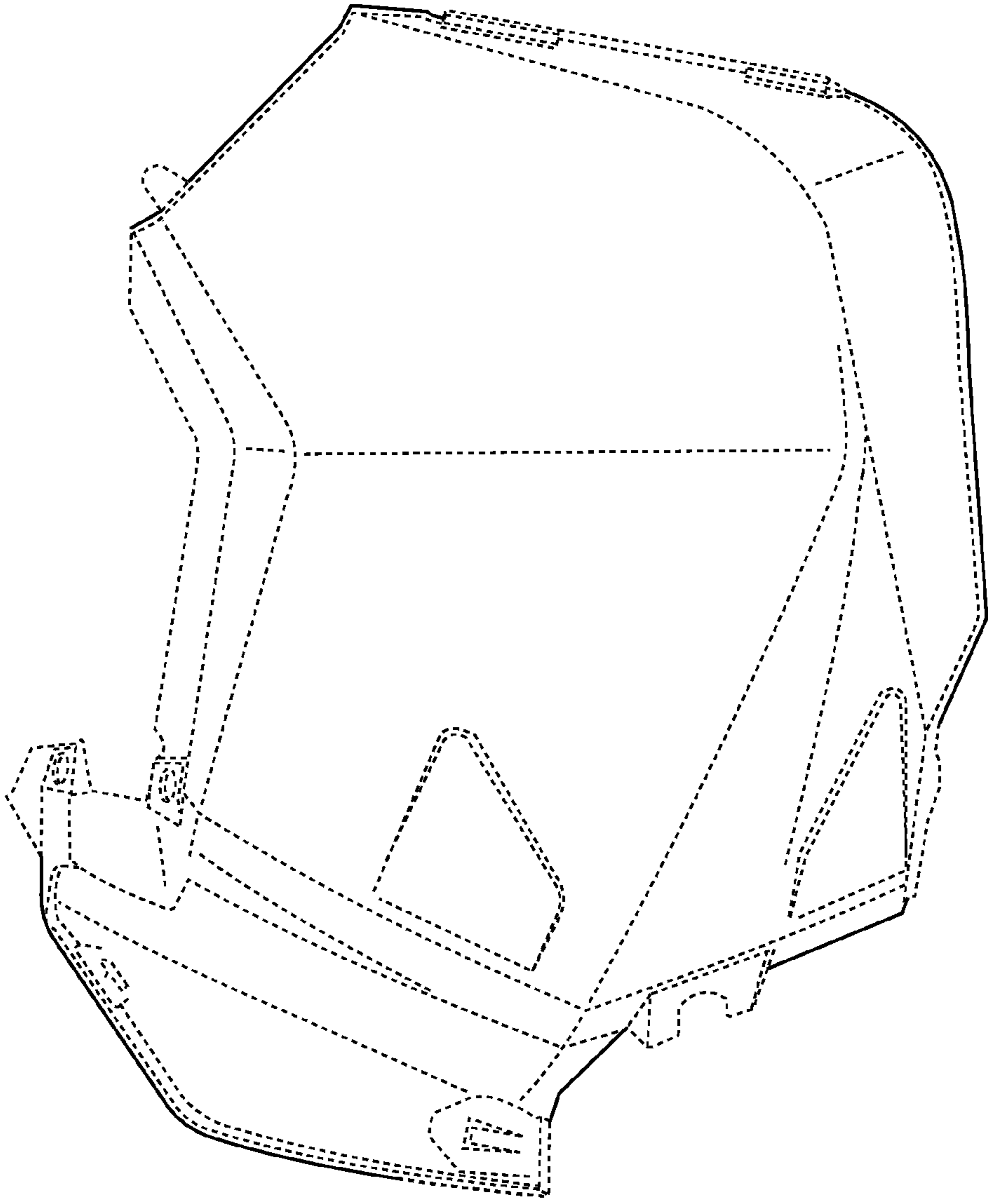


FIG. 3

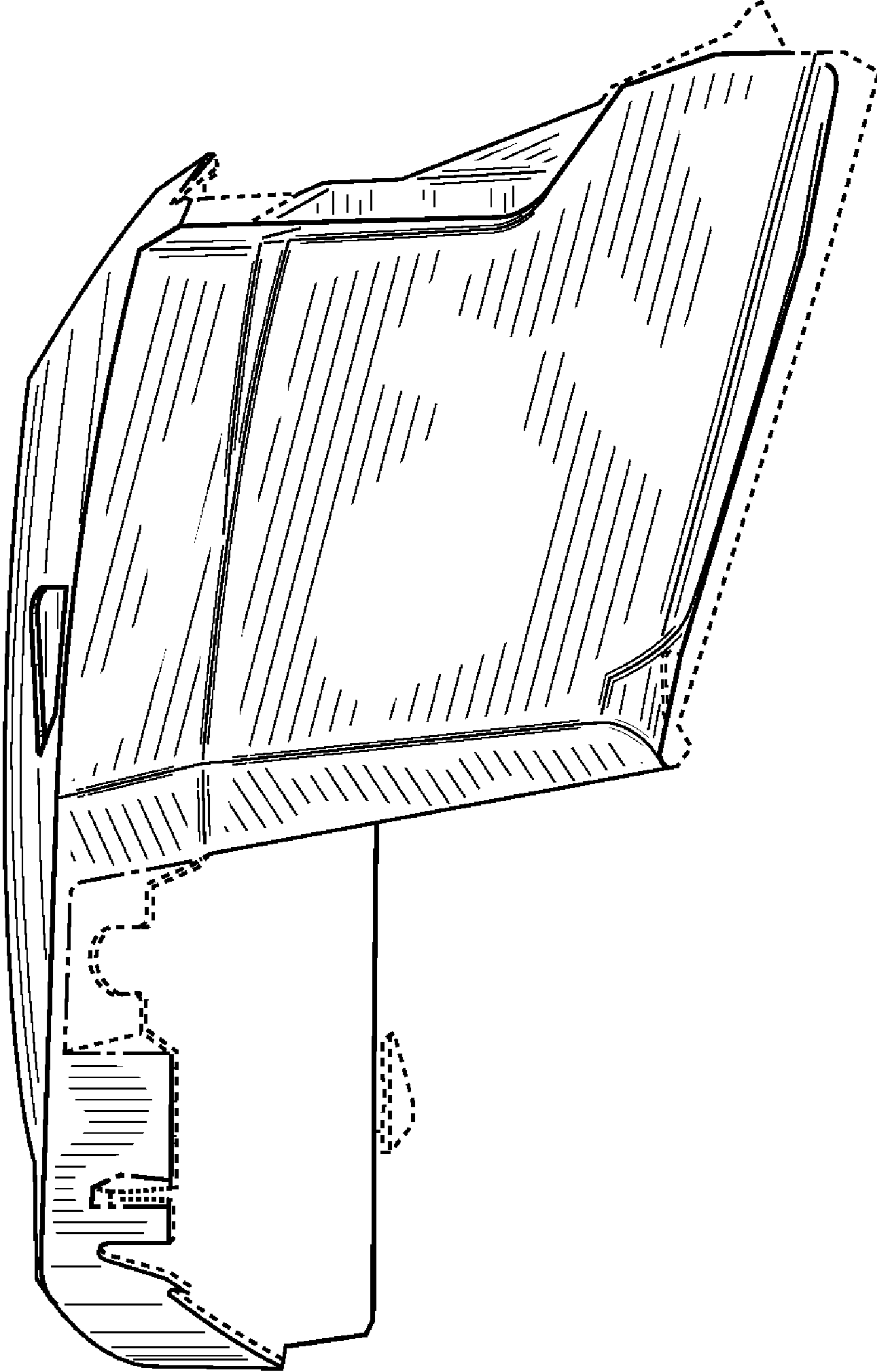


FIG. 4

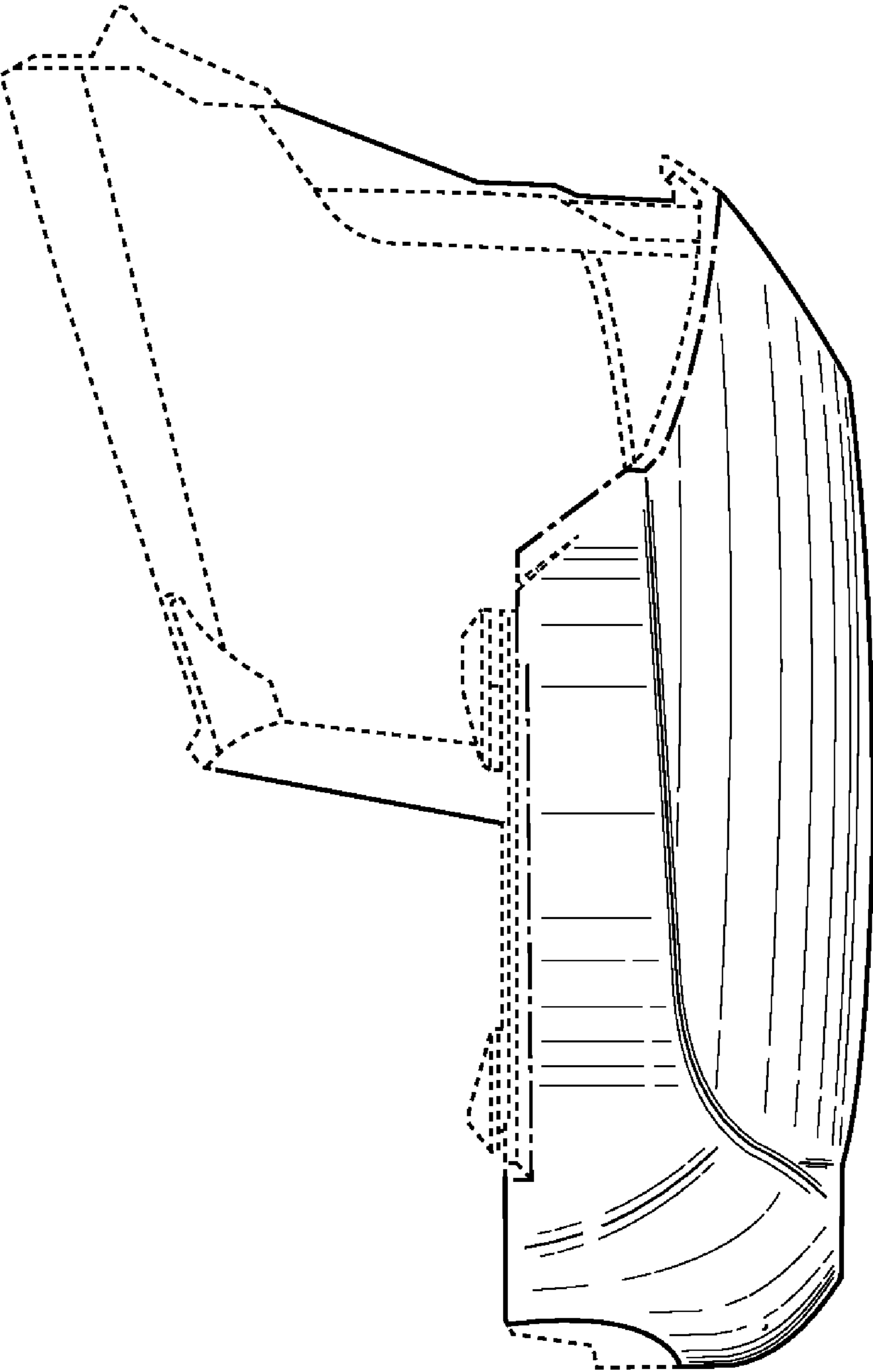


FIG. 5

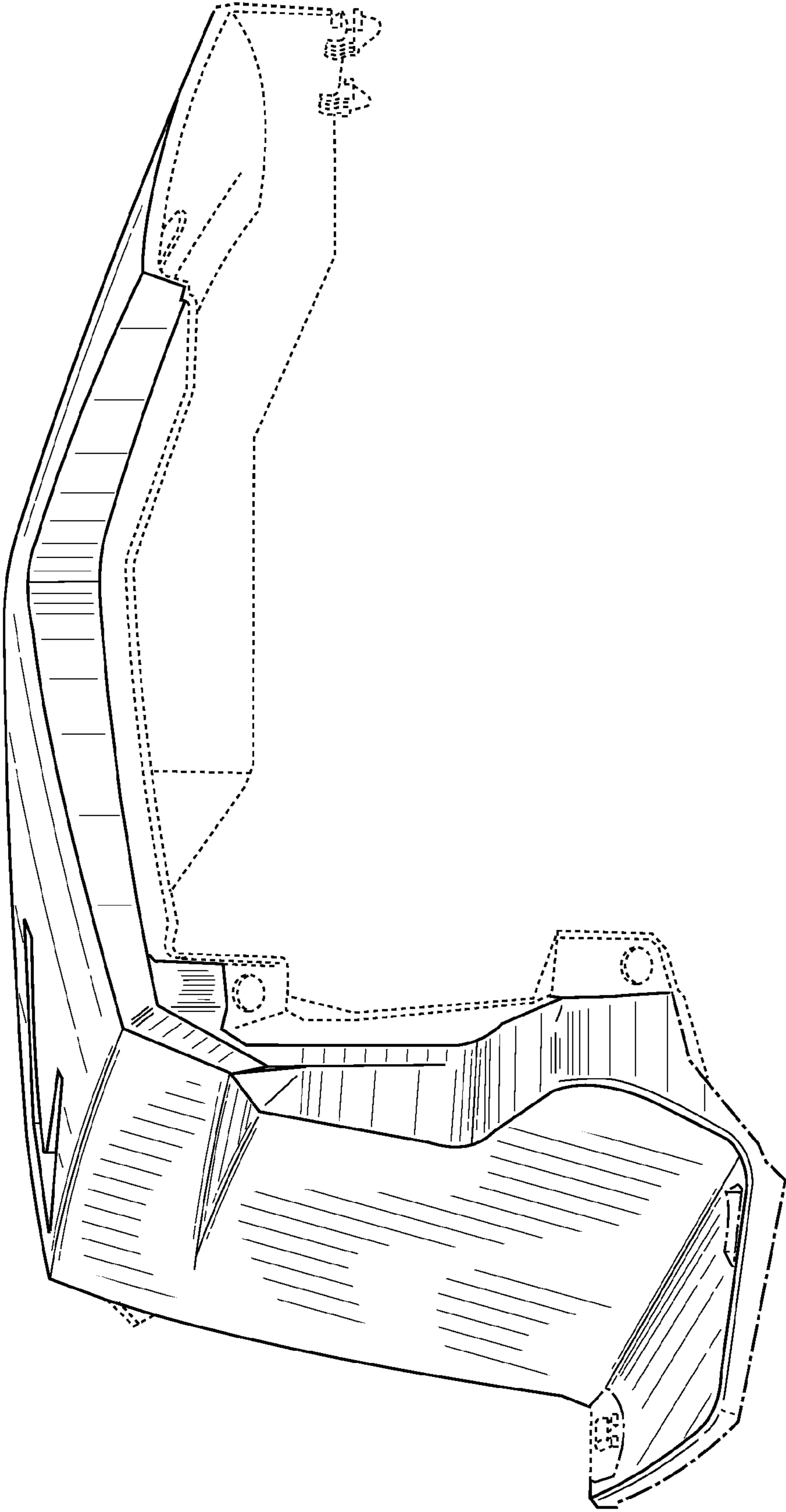


FIG. 6

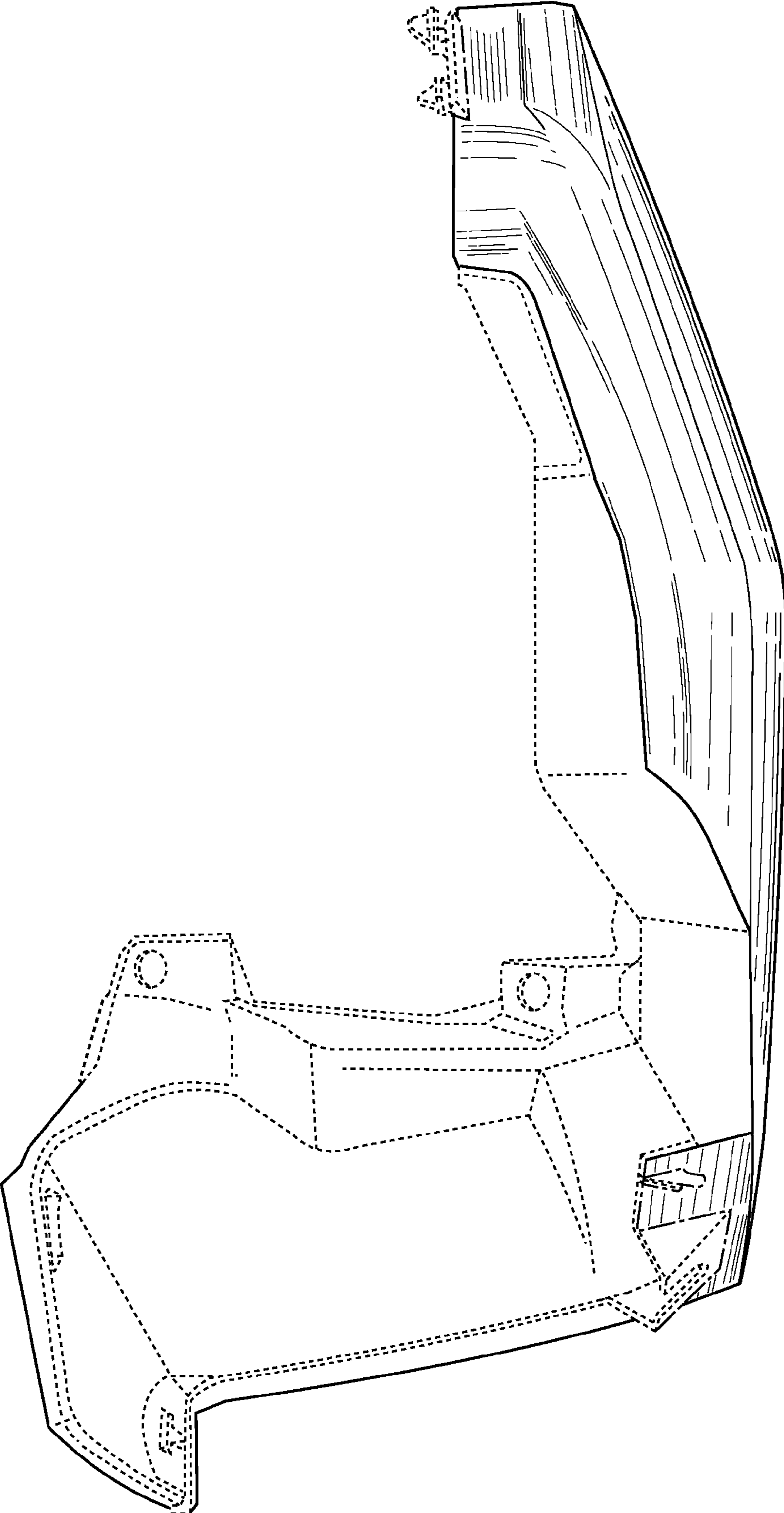


FIG. 7