



US00D593901S

(12) **United States Design Patent**
Gurule

(10) **Patent No.:** **US D593,901 S**
(45) **Date of Patent:** **** Jun. 9, 2009**

(54) **SEAT BELT POSITION RETENTION CLIP**

(76) Inventor: **Danny E. Gurule**, 4142 Villa Gomez
La., Stockton, CA (US) 95206

(**) Term: **14 Years**

(21) Appl. No.: **29/310,229**

(22) Filed: **Aug. 1, 2008**

(51) **LOC (9) Cl.** **02-07**

(52) **U.S. Cl.** **D11/200**

(58) **Field of Classification Search** D11/1-2,
D11/200-201, 203-206, 210, 212, 214-219,
D11/222, 224, 226; 24/163 R, 169-171,
24/173, 177-179, 191, 194-195, 197, 200,
24/198, 644; D2/627

See application file for complete search history.

(56) **References Cited**

U.S. PATENT DOCUMENTS

D244,807 S *	6/1977	Bardoni et al.	D11/215
4,160,565 A	7/1979	Matsumoto		
D263,260 S *	3/1982	Heil	D11/210
D320,110 S	9/1991	Hawkins		
5,201,099 A	4/1993	Campbell		
D341,712 S	11/1993	Fulcher		
5,495,646 A	3/1996	Scrutchfield et al.		

D385,825 S *	11/1997	Johnson, III	D11/212
5,692,806 A	12/1997	Jones		
6,050,647 A	4/2000	Thompson		
D439,026 S	3/2001	Reilly		
6,390,562 B1	5/2002	Takamizu et al.		
D488,912 S	4/2004	Berger		
D491,101 S *	6/2004	Hsu	D11/210
D519,404 S	4/2006	Berke et al.		
D544,400 S *	6/2007	Yoshiguchi	D11/200

* cited by examiner

Primary Examiner—R. Seifert

(74) *Attorney, Agent, or Firm*—Robert C. Montgomery

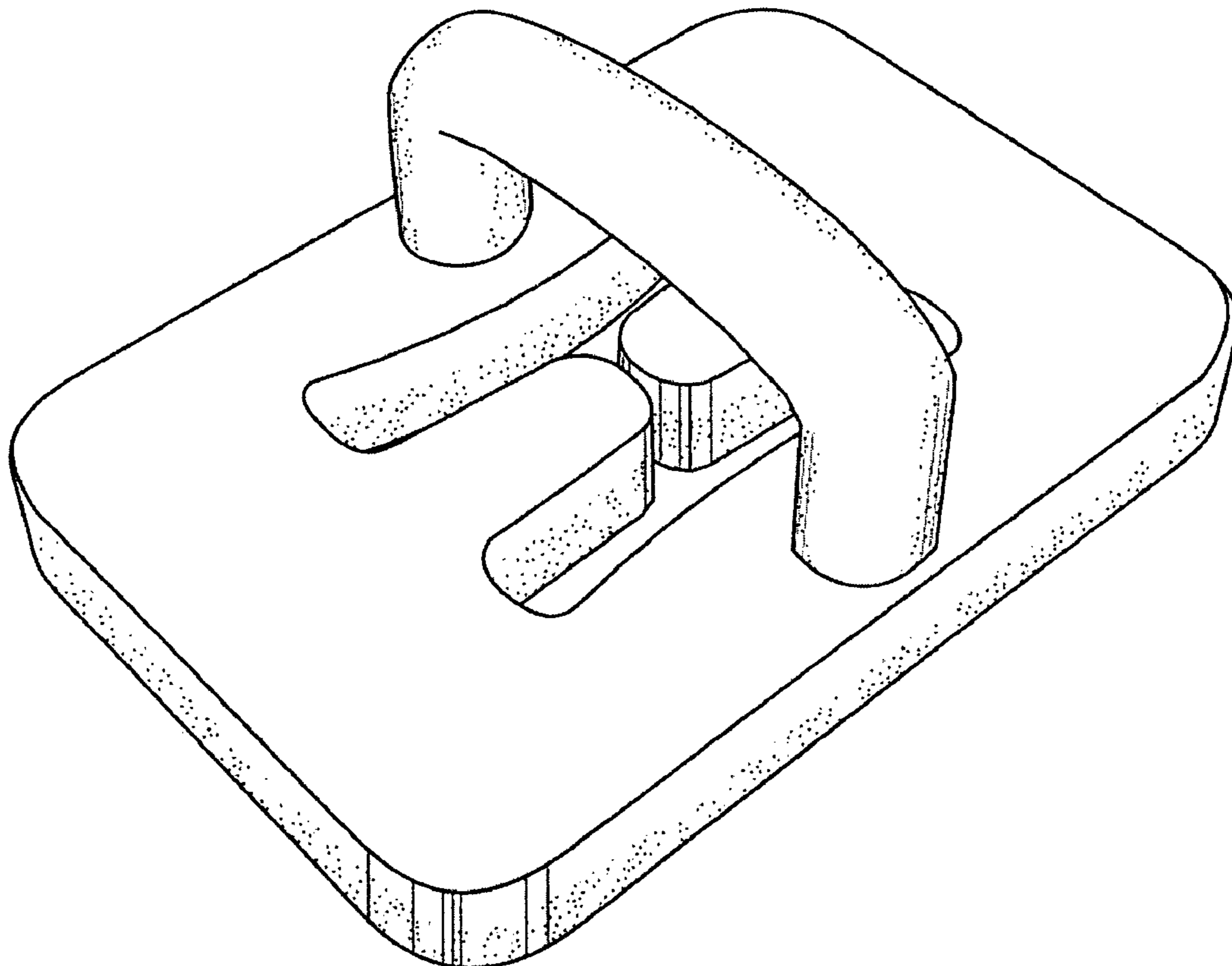
(57) **CLAIM**

The ornamental design for a seat belt position retention clip, as shown and described.

DESCRIPTION

FIG. 1 is a perspective view of a seat belt position retention clip, as shown and described;
FIG. 2 is a front view thereof;
FIG. 3 is a side view thereof;
FIG. 4 is a top view thereof; and,
FIG. 5 is a bottom view thereof.

1 Claim, 5 Drawing Sheets



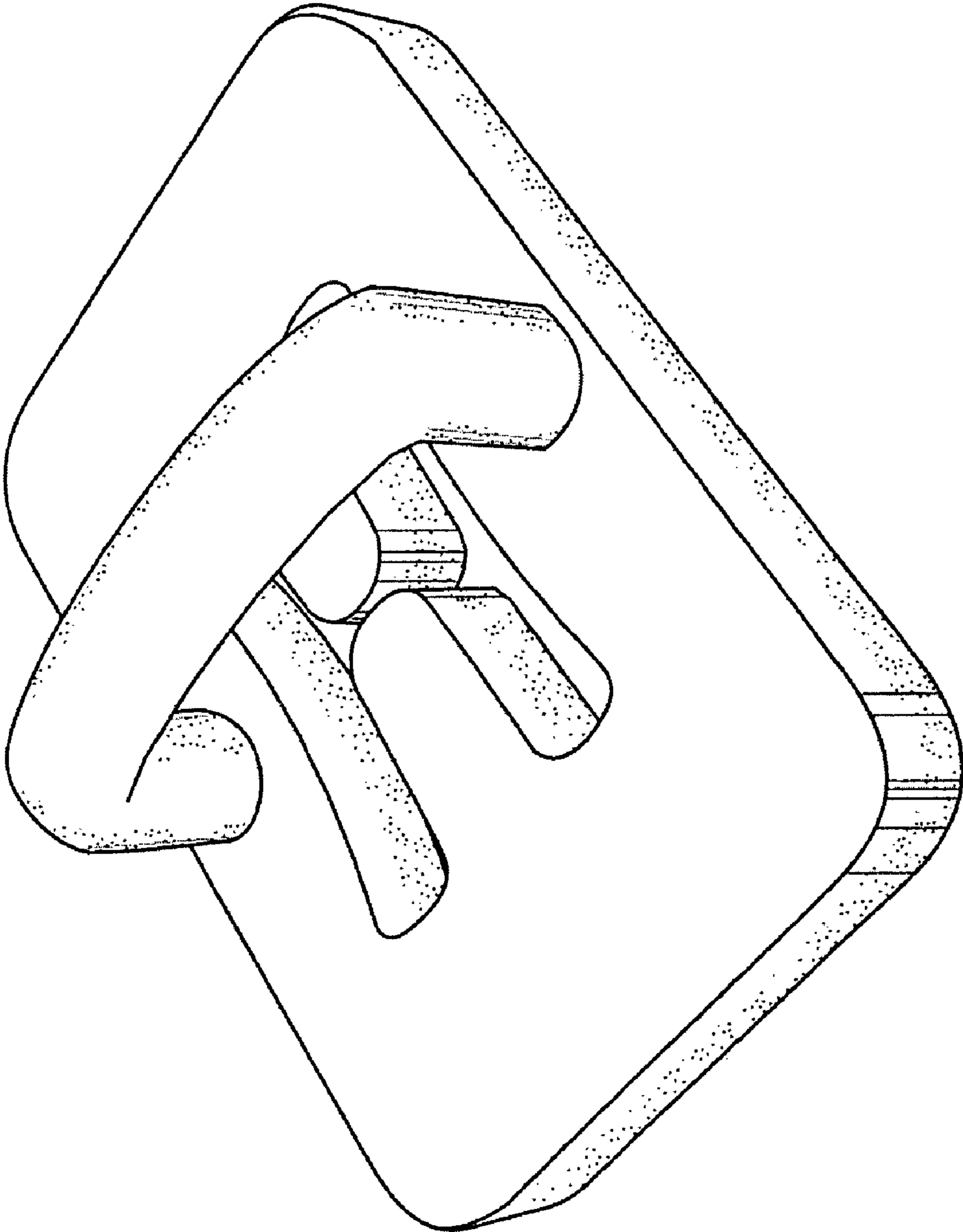


Fig. 1

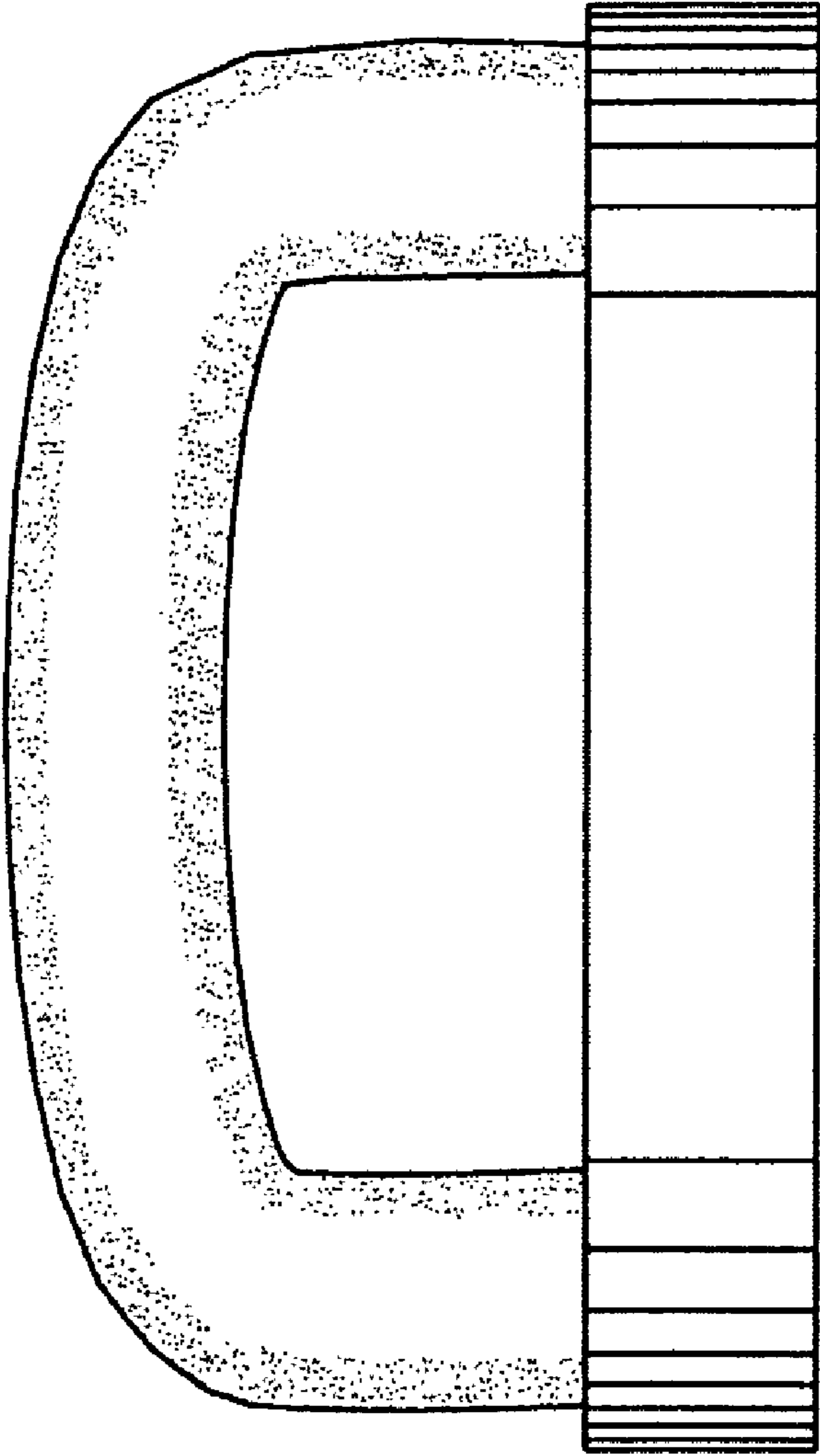


Fig.2

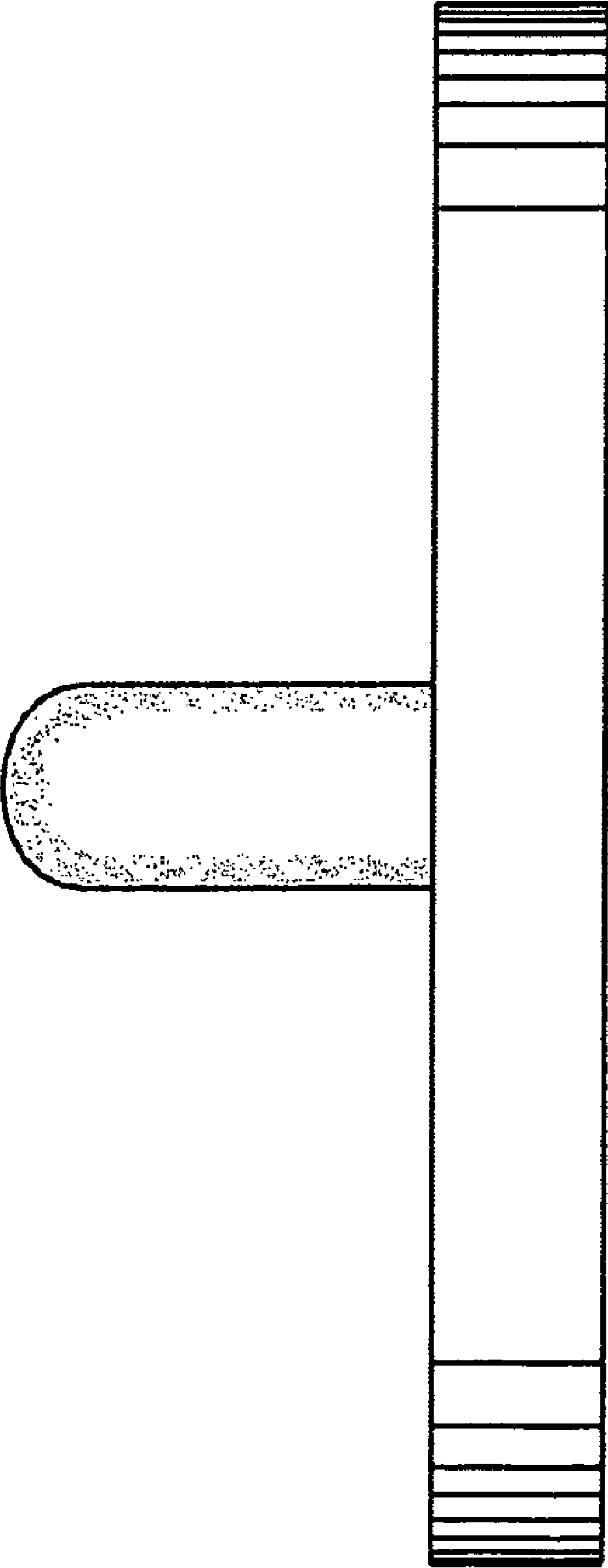


Fig. 3

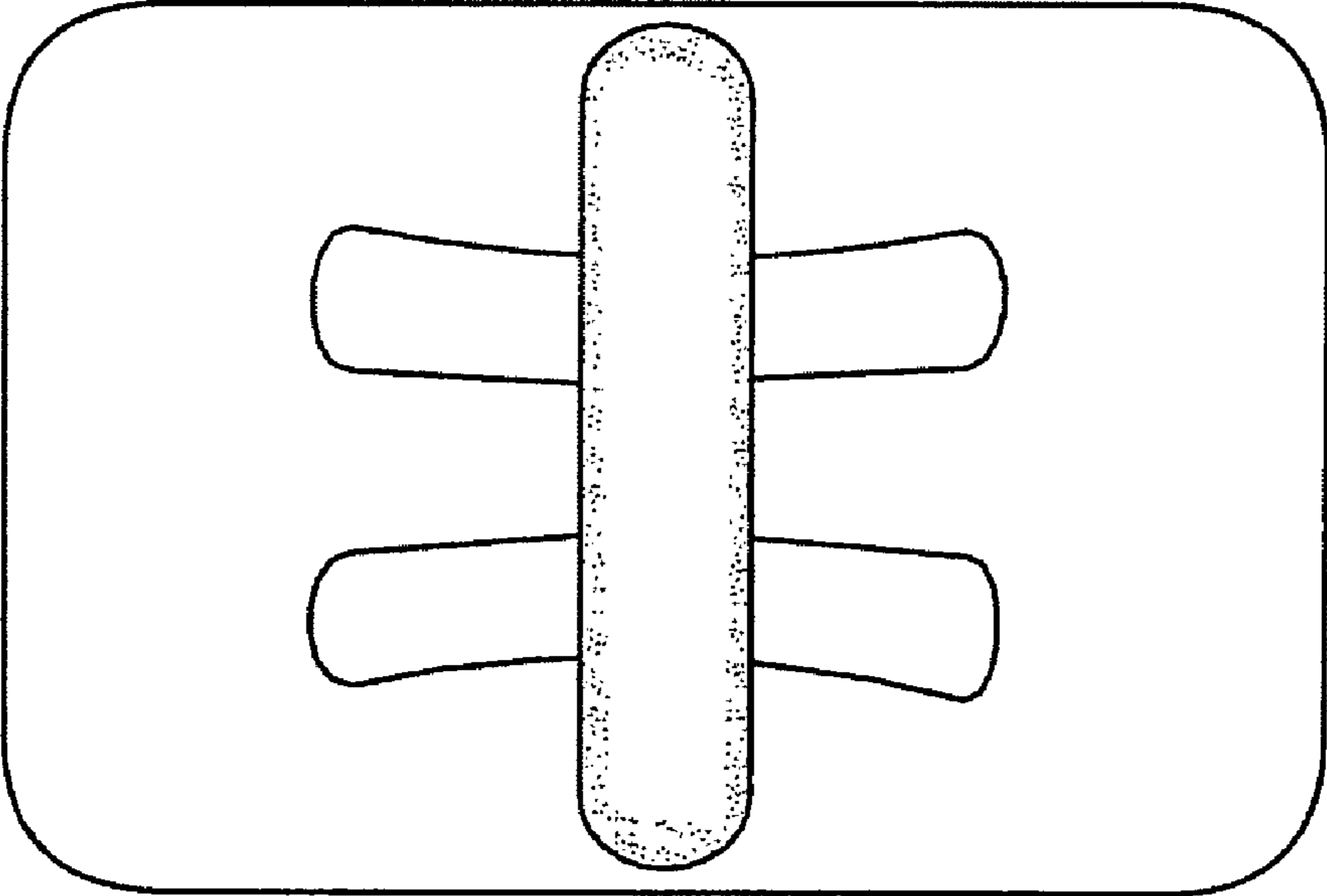


Fig. 4

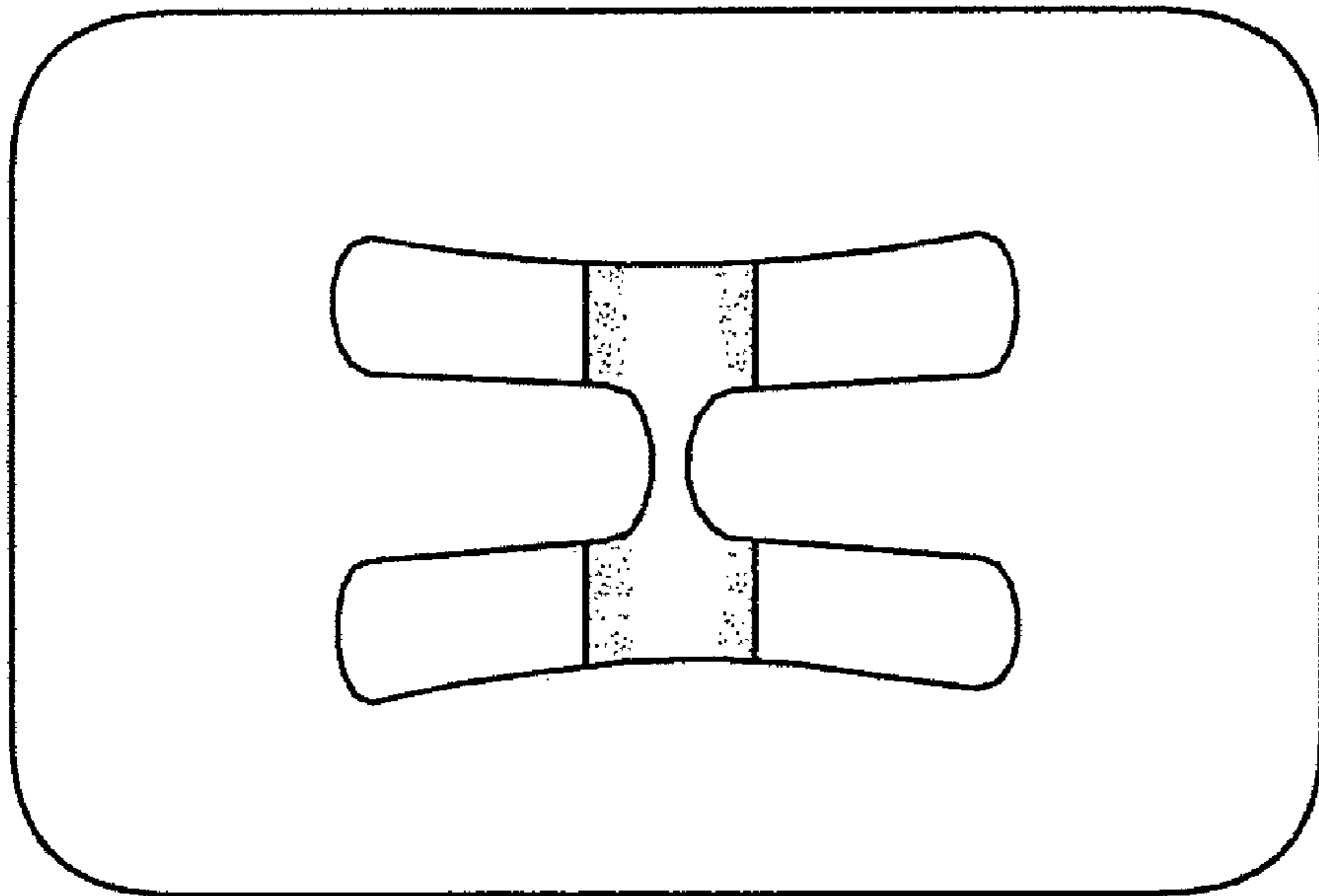


Fig. 5