



US00D593889S

(12) **United States Design Patent**
Huftalen

(10) **Patent No.:** **US D593,889 S**
(45) **Date of Patent:** **** Jun. 9, 2009**

(54) **TWO-SPEAKER REMOTE ACOUSTIC HAILING DEVICE**

(75) Inventor: **Richard L. Huftalen**, Lancaster, NY (US)

(73) Assignee: **Moog Inc.**, East Aurora, NY (US)

(**) Term: **14 Years**

(21) Appl. No.: **29/307,441**

(22) Filed: **Apr. 21, 2008**

(51) **LOC (9) Cl.** **10-05**

(52) **U.S. Cl.** **D10/116**

(58) **Field of Classification Search** D10/116, D10/120; D14/168, 204–216; 381/182, 381/75, 341; 340/539.21, 538, 525, 825.22, 340/825.24, 825.25, 388.1, 388.4, 384.1, 340/404.1, 693.12, 600, 601; 116/112, 147
See application file for complete search history.

(56) **References Cited**

U.S. PATENT DOCUMENTS

- 5,160,815 A * 11/1992 Prater 181/182
- D395,047 S * 6/1998 Segan et al. D14/168
- D468,718 S * 1/2003 Cuvelier D14/168

- D502,460 S * 3/2005 Ueda et al. D14/168
- D508,907 S * 8/2005 Ueda et al. D14/168
- D542,264 S * 5/2007 Amid-Hozour D14/168
- 2003/0063754 A1 * 4/2003 Mears 381/75
- 2005/0013454 A1 * 1/2005 Huang 381/182

* cited by examiner

Primary Examiner—Caron Veynar

Assistant Examiner—George D Kirschbaum

(74) *Attorney, Agent, or Firm*—Phillips Lytle LLP

(57) **CLAIM**

The ornamental design for a two-speaker remote acoustic hailing device, as shown and described.

DESCRIPTION

FIG. 1 is a perspective view of a two-speaker remote acoustic hailing device, showing my new design.

FIG. 2 is a front elevational view thereof.

FIG. 3 is a rear elevational view thereof.

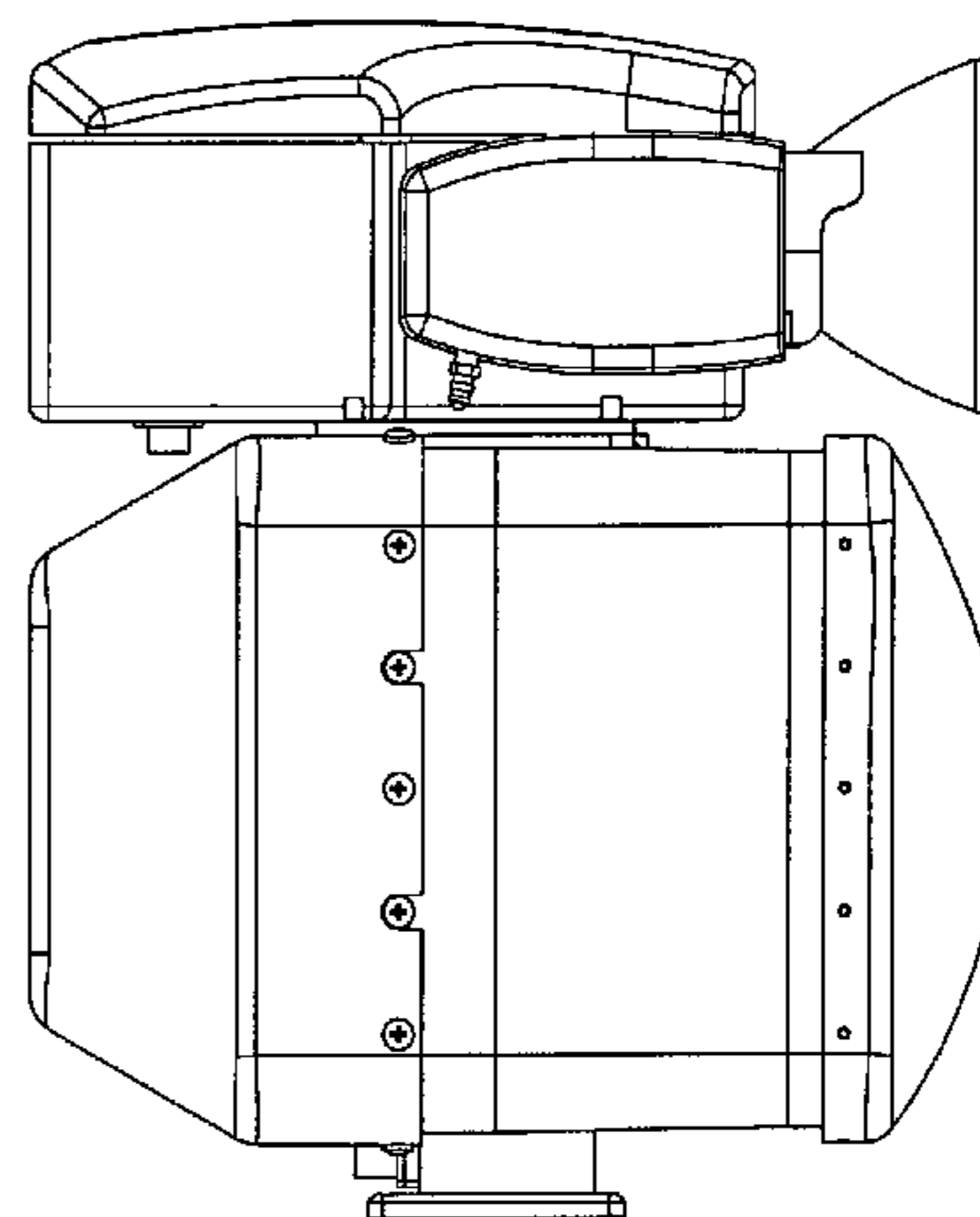
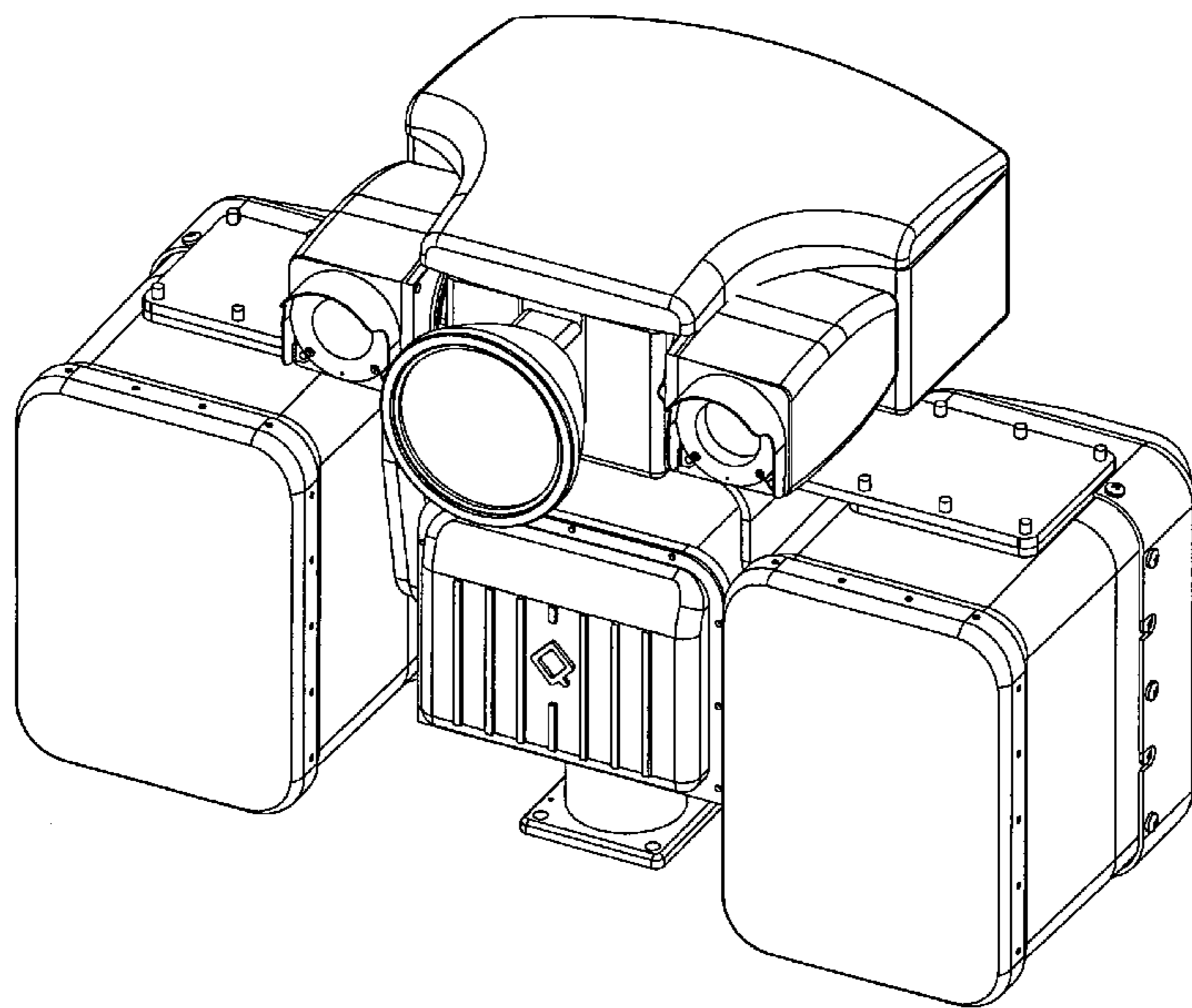
FIG. 4 is a left side elevational view .

FIG. 5 is a right side elevational view thereof.

FIG. 6 is a top plan view thereof; and,

FIG. 7 is a bottom plan view thereof.

1 Claim, 7 Drawing Sheets



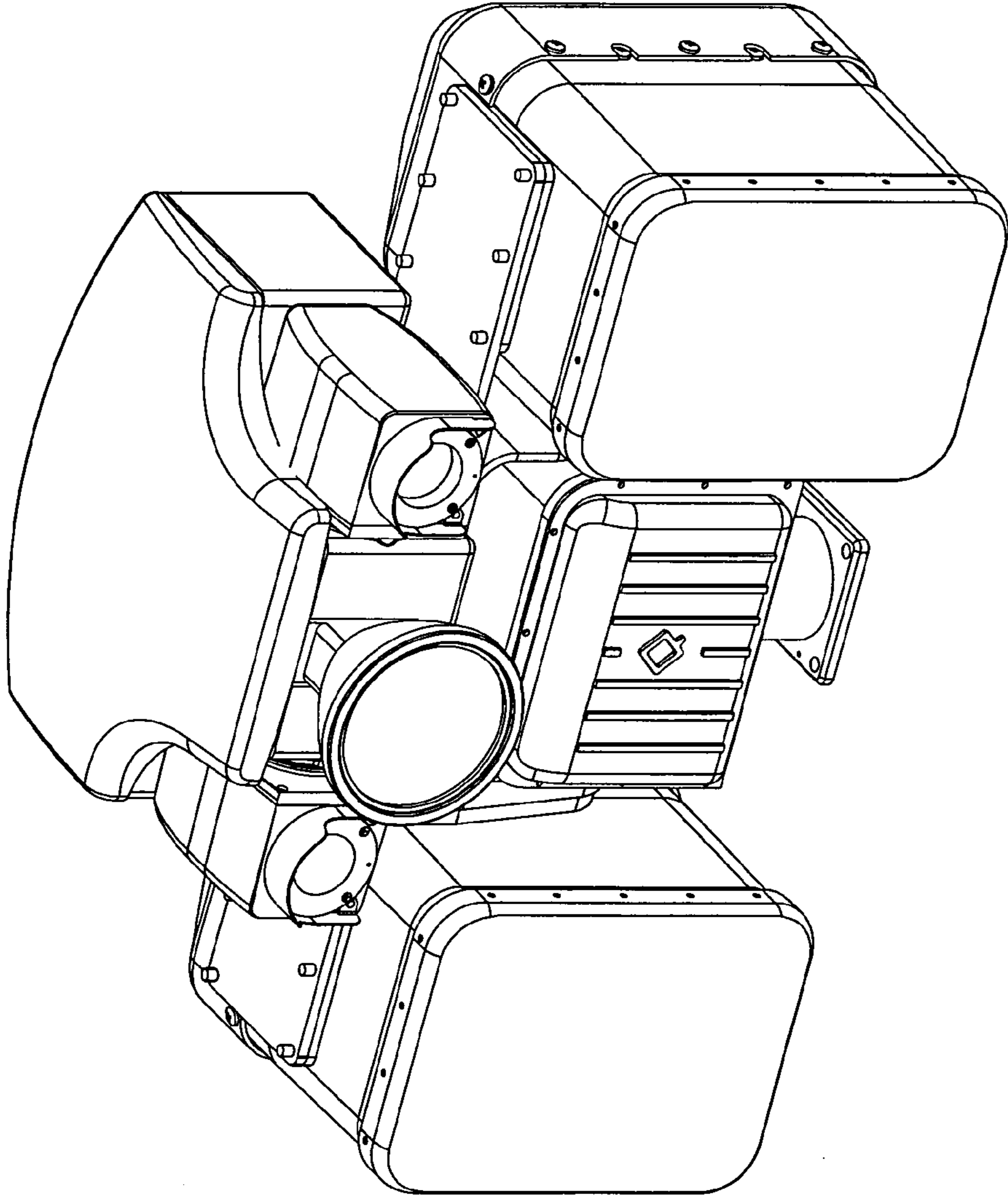


Fig. 1

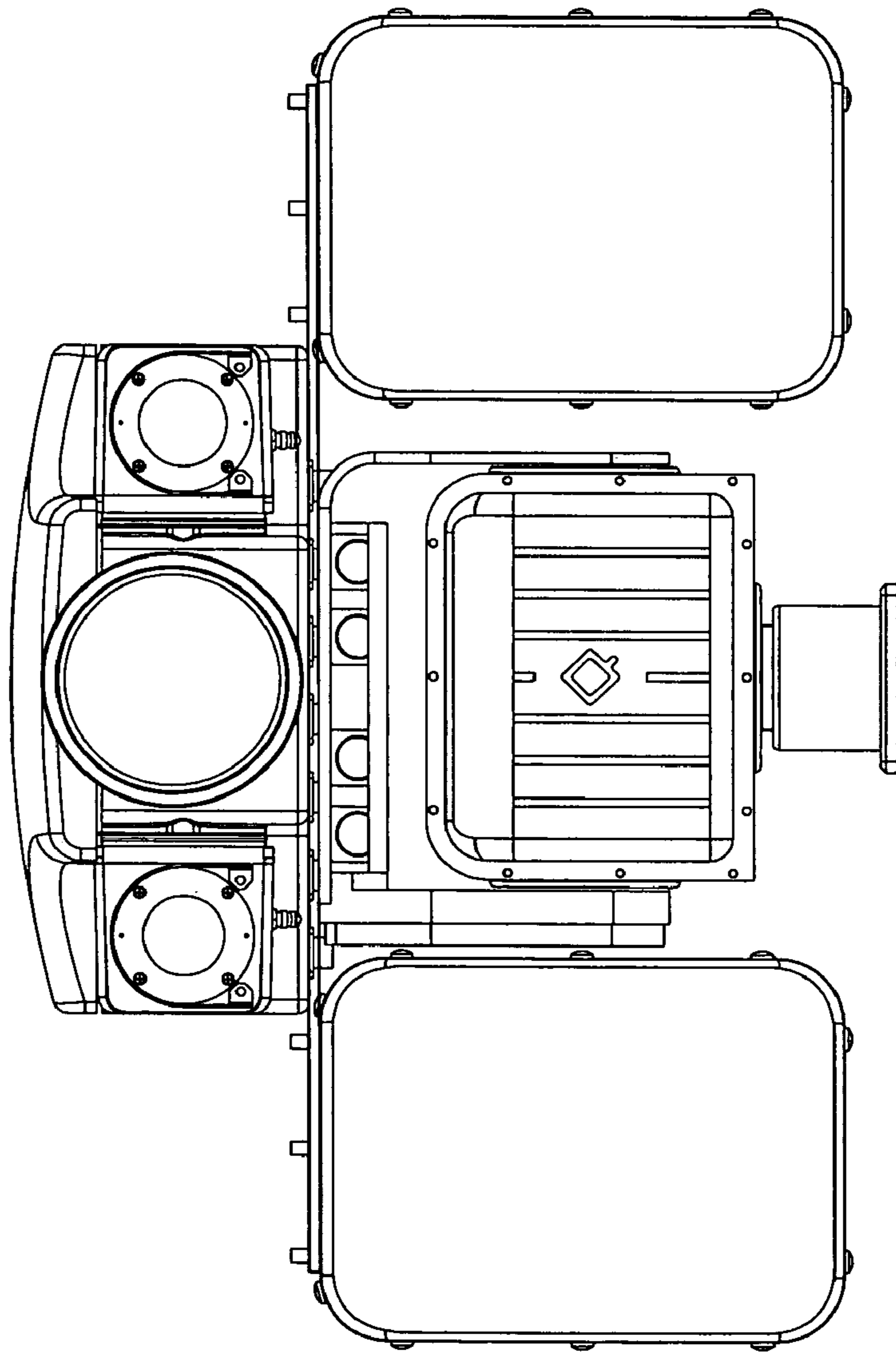


Fig. 2

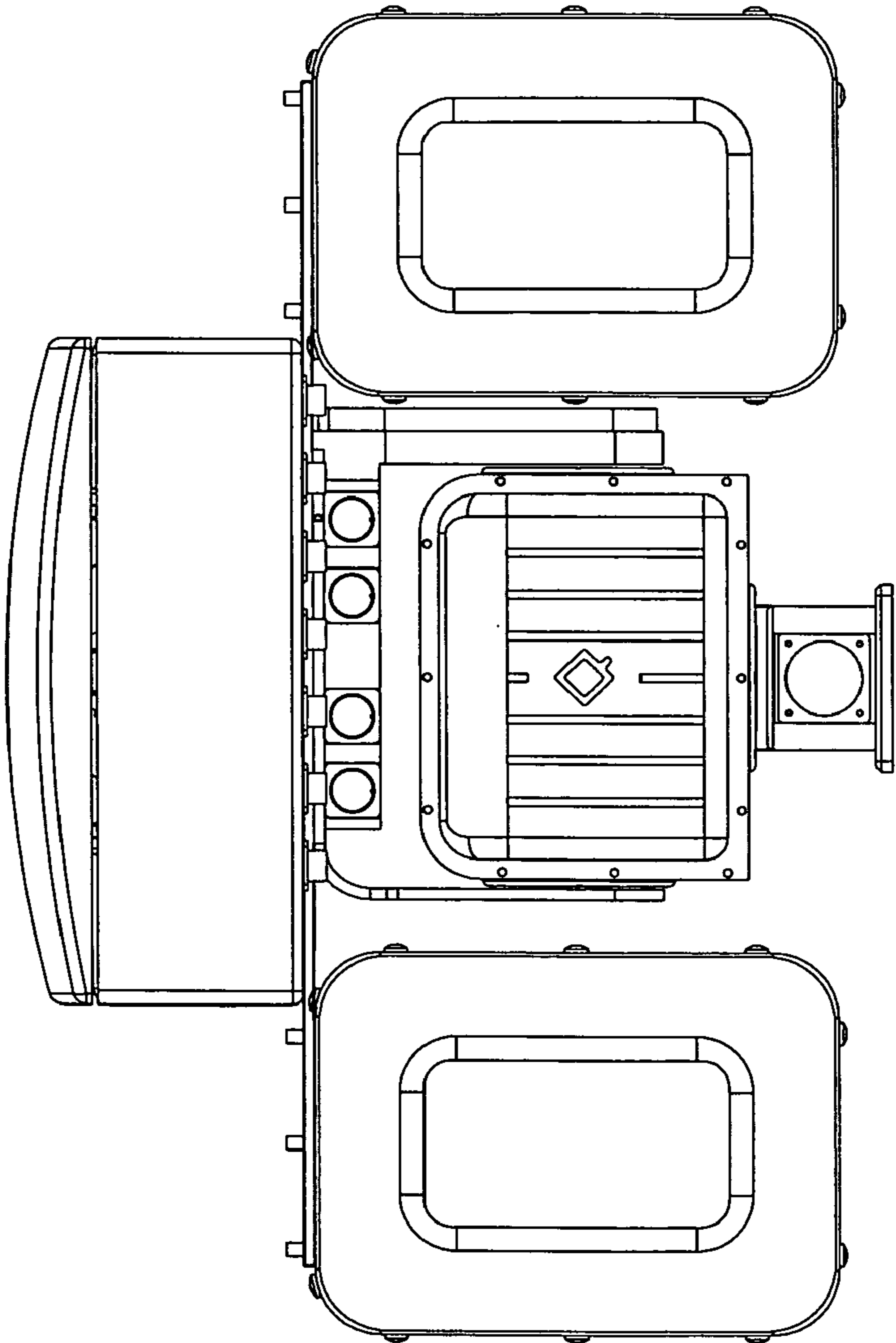


Fig. 3

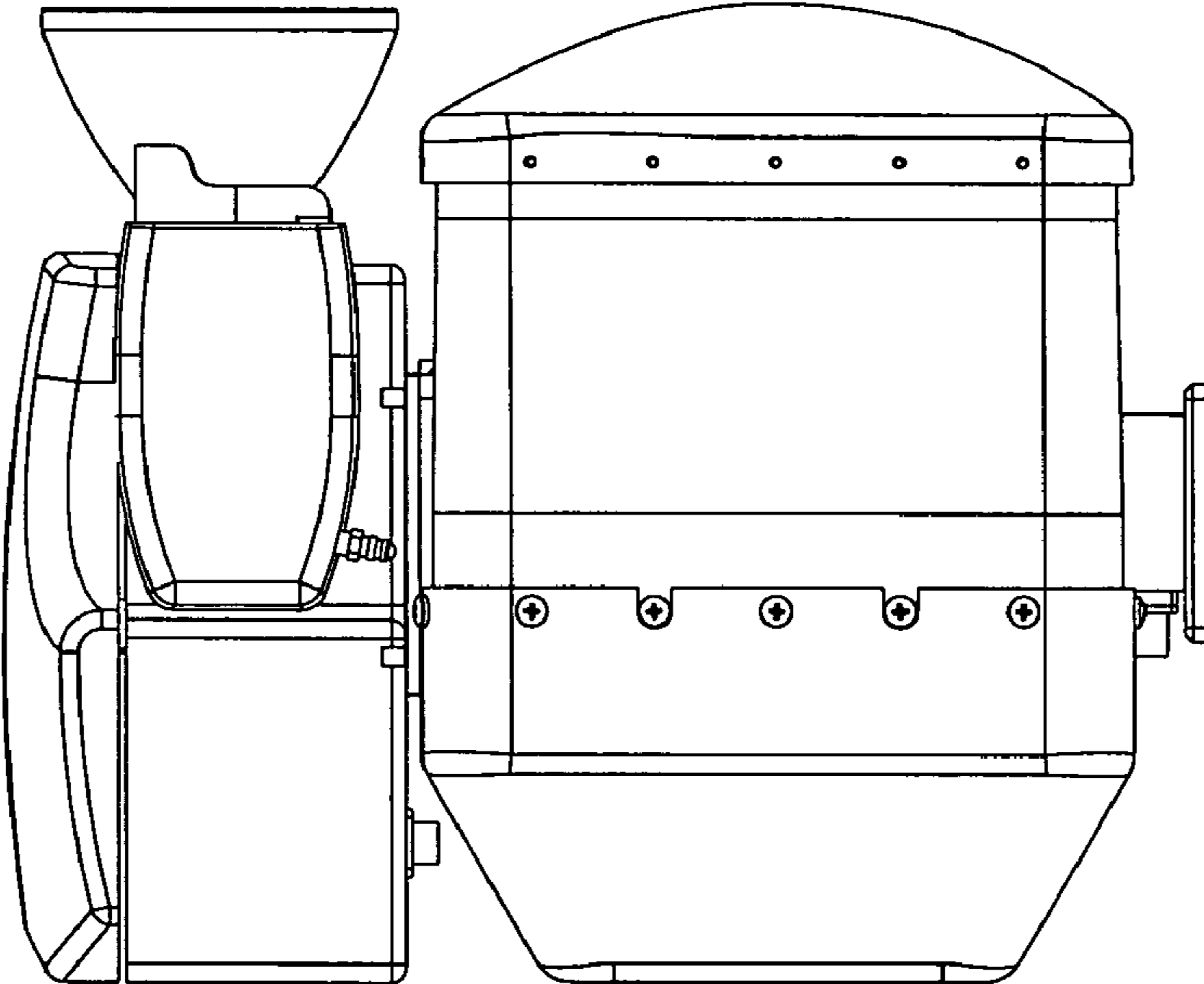


Fig. 4

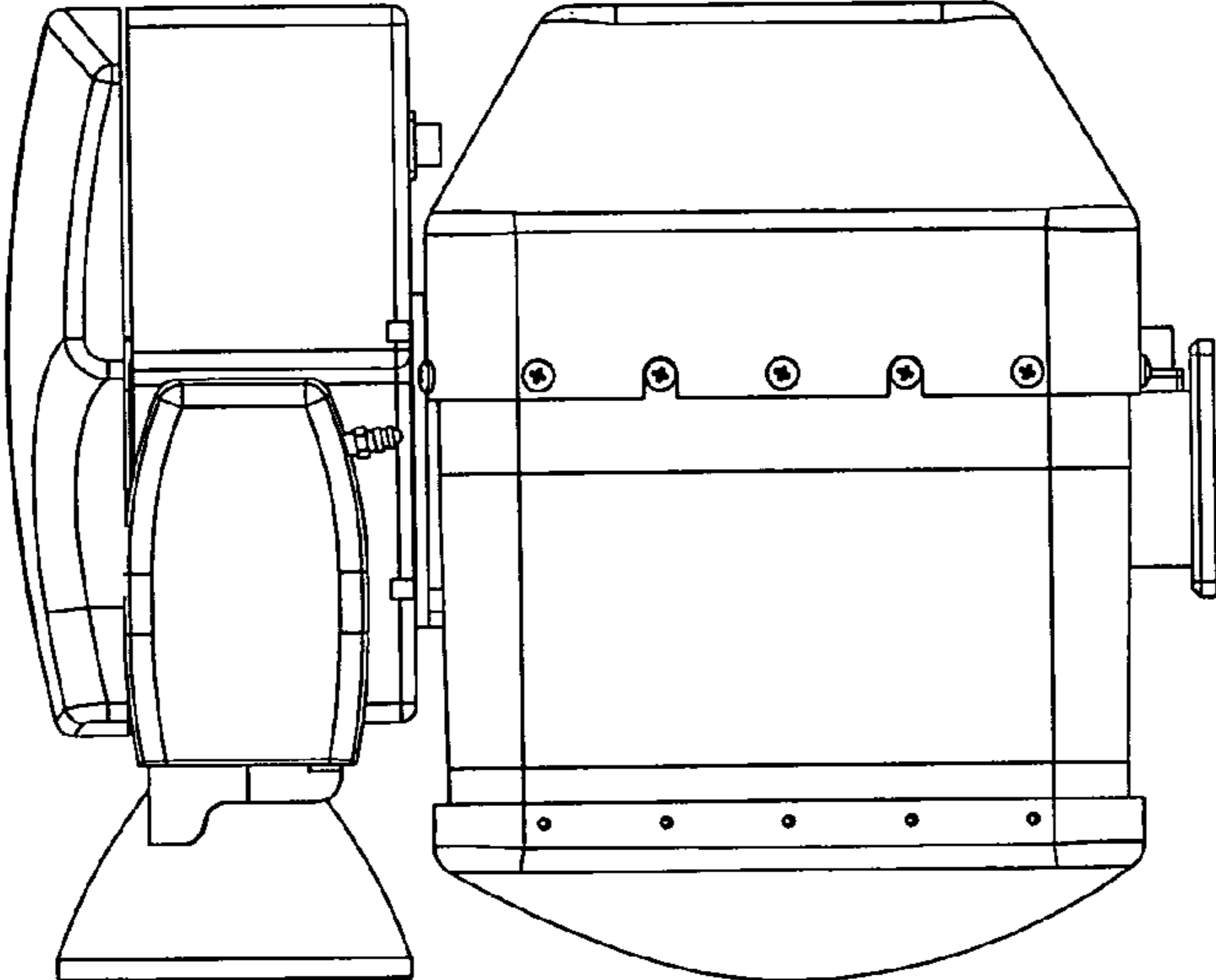


Fig. 5

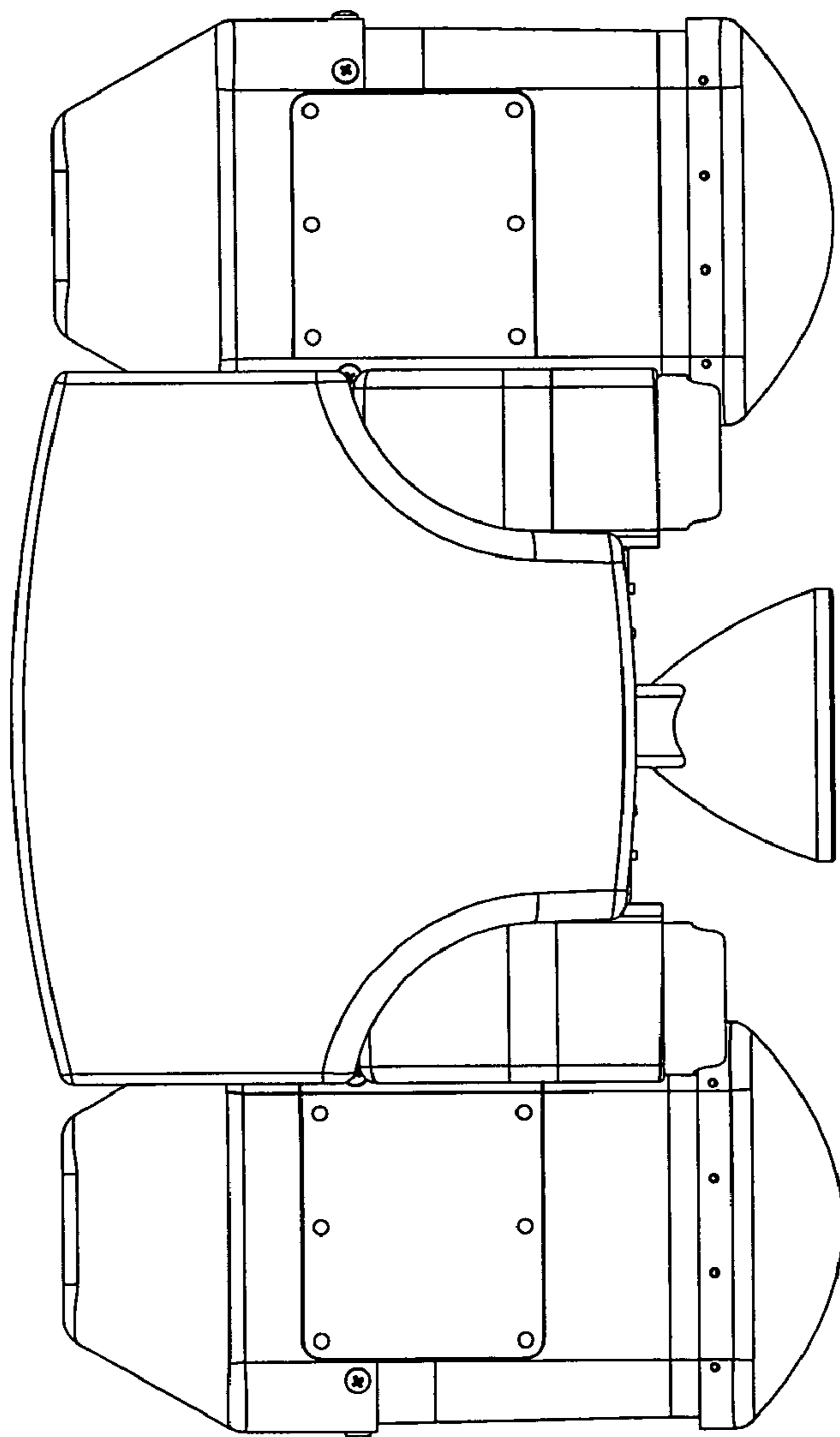


Fig. 6

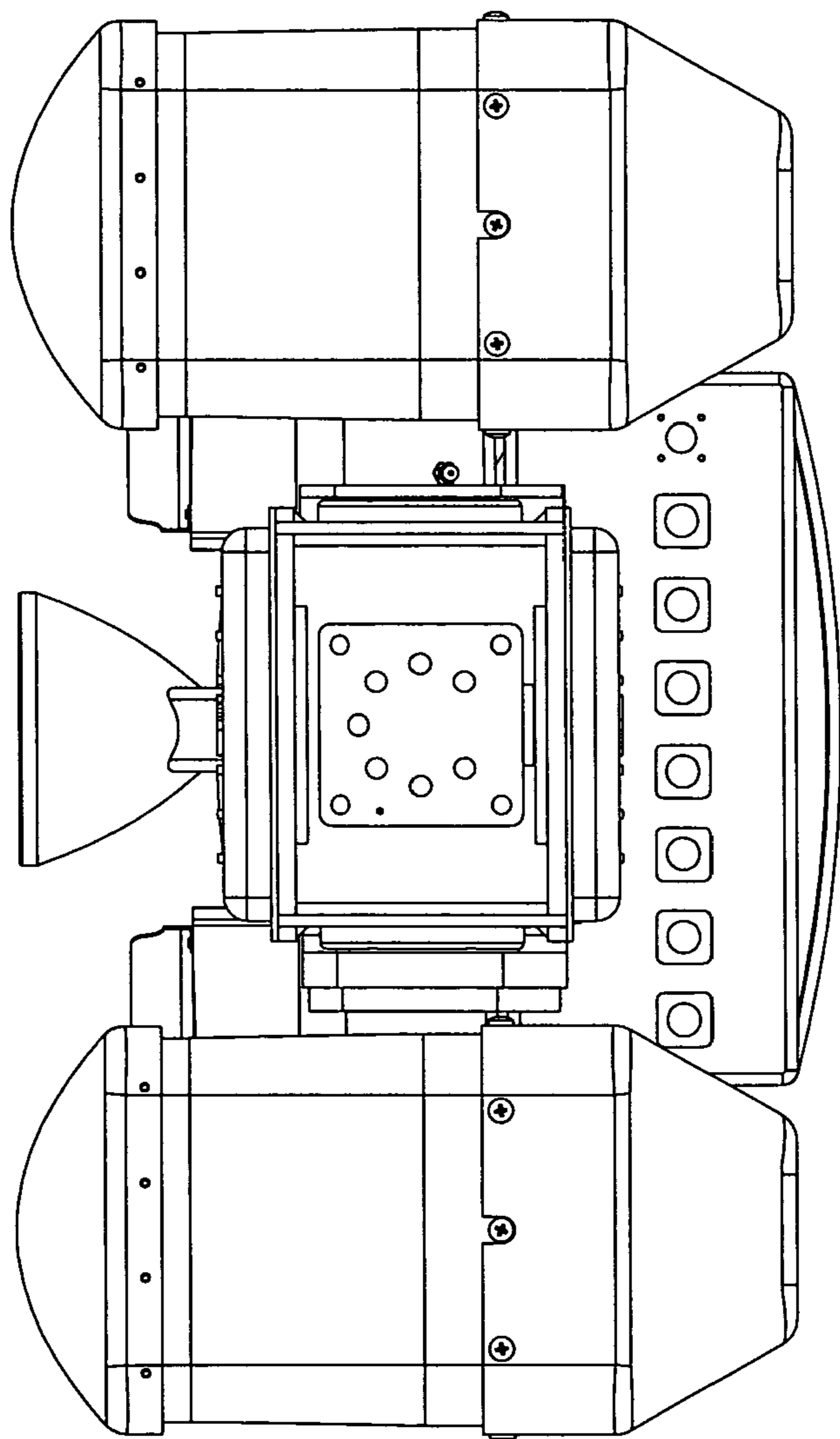


Fig. 7