



US00D593888S

(12) **United States Design Patent**  
**Huftalen**

(10) **Patent No.:** **US D593,888 S**  
(45) **Date of Patent:** **\*\* Jun. 9, 2009**

(54) **SIX-SPEAKER REMOTE ACOUSTIC HAILING DEVICE**

(75) Inventor: **Richard L. Huftalen**, Lancaster, NY (US)

(73) Assignee: **Moog Inc.**, East Aurora, NY (US)

(\*\*) Term: **14 Years**

(21) Appl. No.: **29/307,440**

(22) Filed: **Apr. 21, 2008**

(51) **LOC (9) Cl.** ..... **10-05**

(52) **U.S. Cl.** ..... **D10/116**

(58) **Field of Classification Search** ..... D10/116,  
D10/120; D14/168, 204–216; 381/182,  
381/75, 341; 340/539.21, 538, 525, 825.22,  
340/825.24, 825.25, 388.1, 388.4, 384.1,  
340/404.1, 693.12, 600, 601; 116/112, 147  
See application file for complete search history.

(56) **References Cited**

**U.S. PATENT DOCUMENTS**

5,160,815 A \* 11/1992 Prater ..... 181/182  
D395,047 S \* 6/1998 Segan et al. .... D14/168  
D468,718 S \* 1/2003 Cuvelier ..... D14/168

D502,460 S \* 3/2005 Ueda et al. .... D14/168  
D508,907 S \* 8/2005 Ueda et al. .... D14/168  
D542,264 S \* 5/2007 Amid-Hozour ..... D14/168  
2003/0063754 A1 \* 4/2003 Mears ..... 381/75  
2005/0013454 A1 \* 1/2005 Huang ..... 381/182

\* cited by examiner

*Primary Examiner*—Caron Veynar

*Assistant Examiner*—George D Kirschbaum

(74) *Attorney, Agent, or Firm*—Phillips Lytle LLP

(57) **CLAIM**

The ornamental design for a six-speaker acoustic hailing device, as shown and described.

**DESCRIPTION**

FIG. 1 is a perspective view of a six-speaker remote acoustic hailing device, showing my new design.

FIG. 2 is a front elevational view thereof.

FIG. 3 is a rear elevational view thereof.

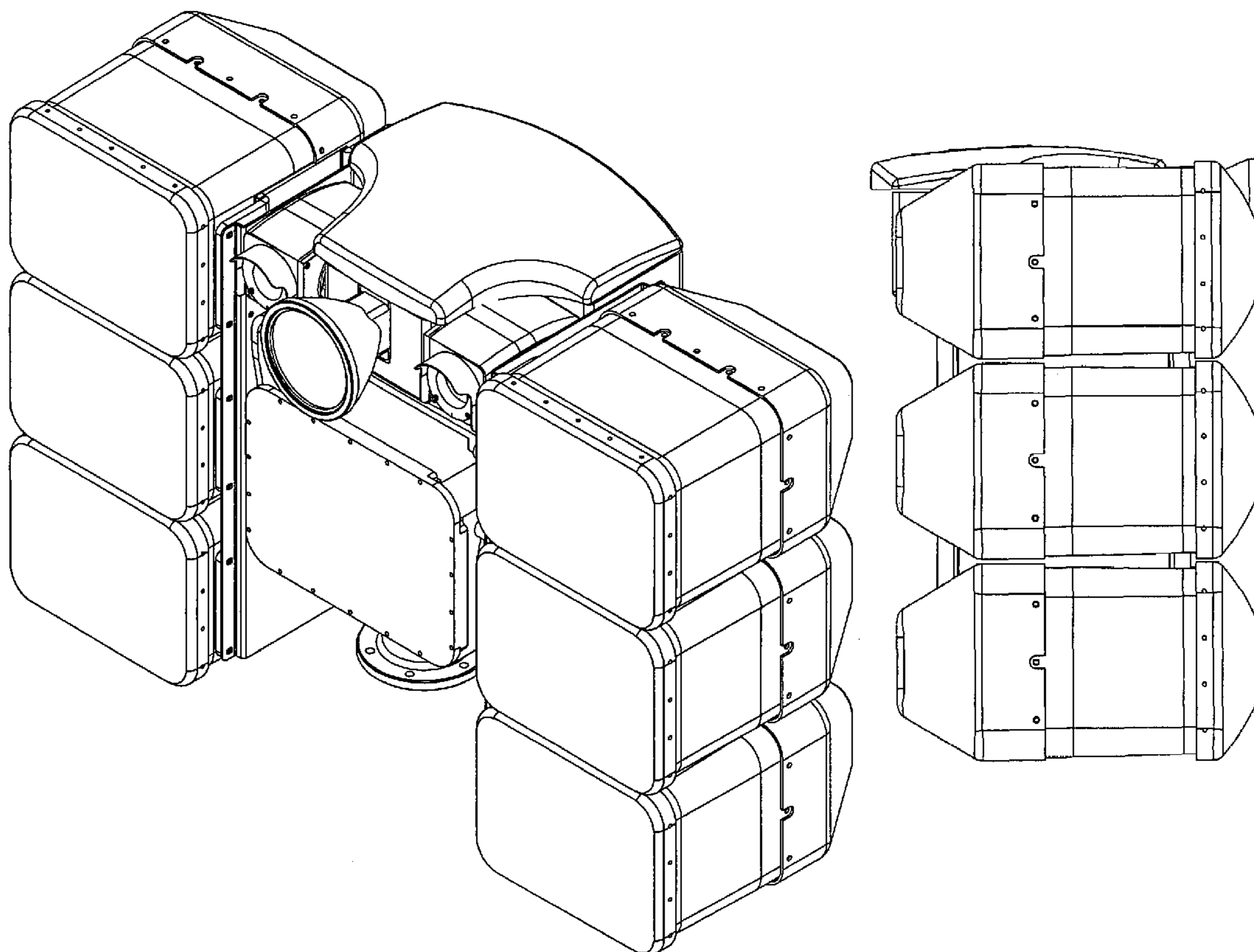
FIG. 4 is a left side elevational view thereof.

FIG. 5 is a right side elevational view thereof.

FIG. 6 is a top plan view thereof; and,

FIG. 7 is a bottom plan view thereof.

**1 Claim, 7 Drawing Sheets**



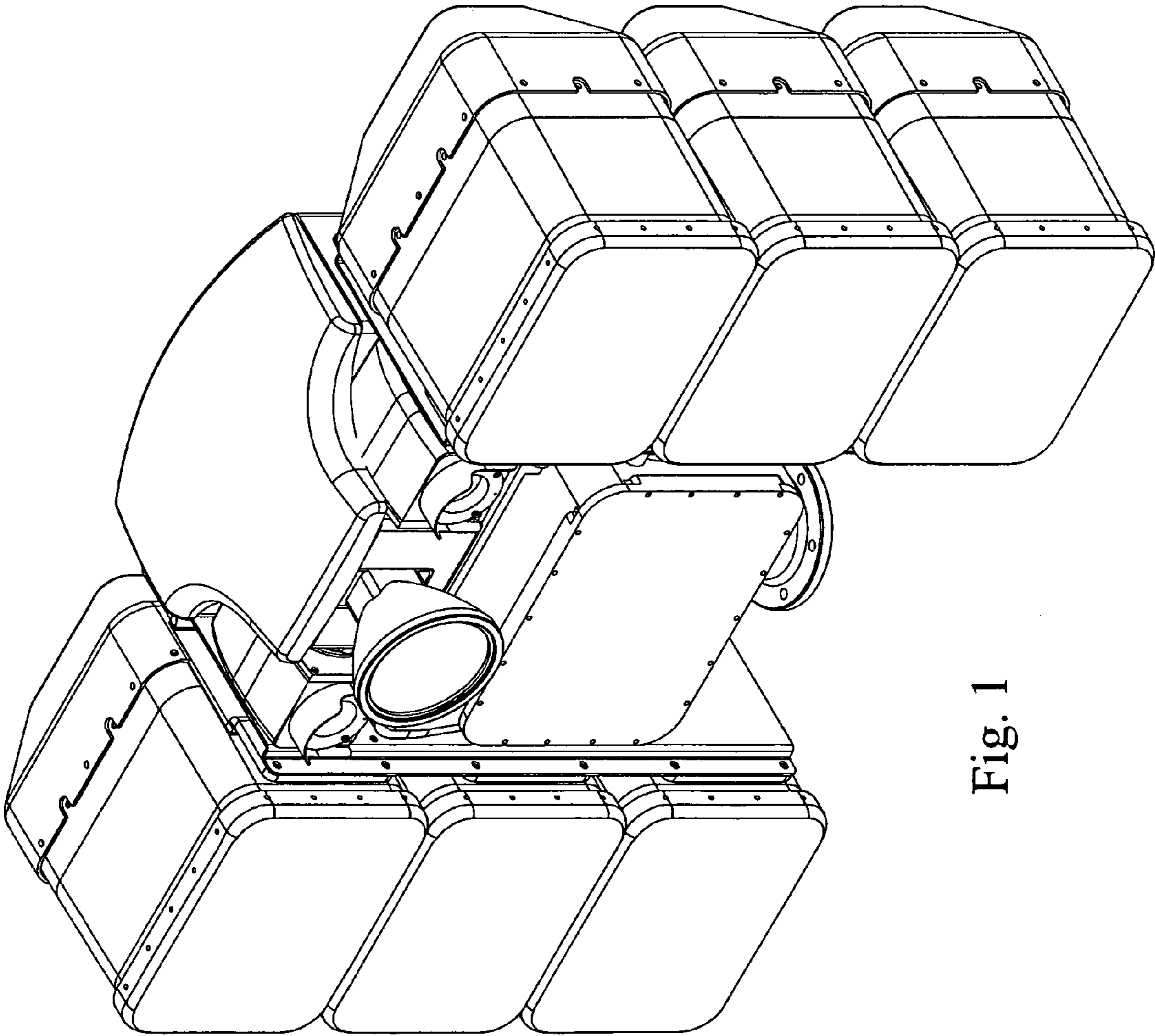


Fig. 1

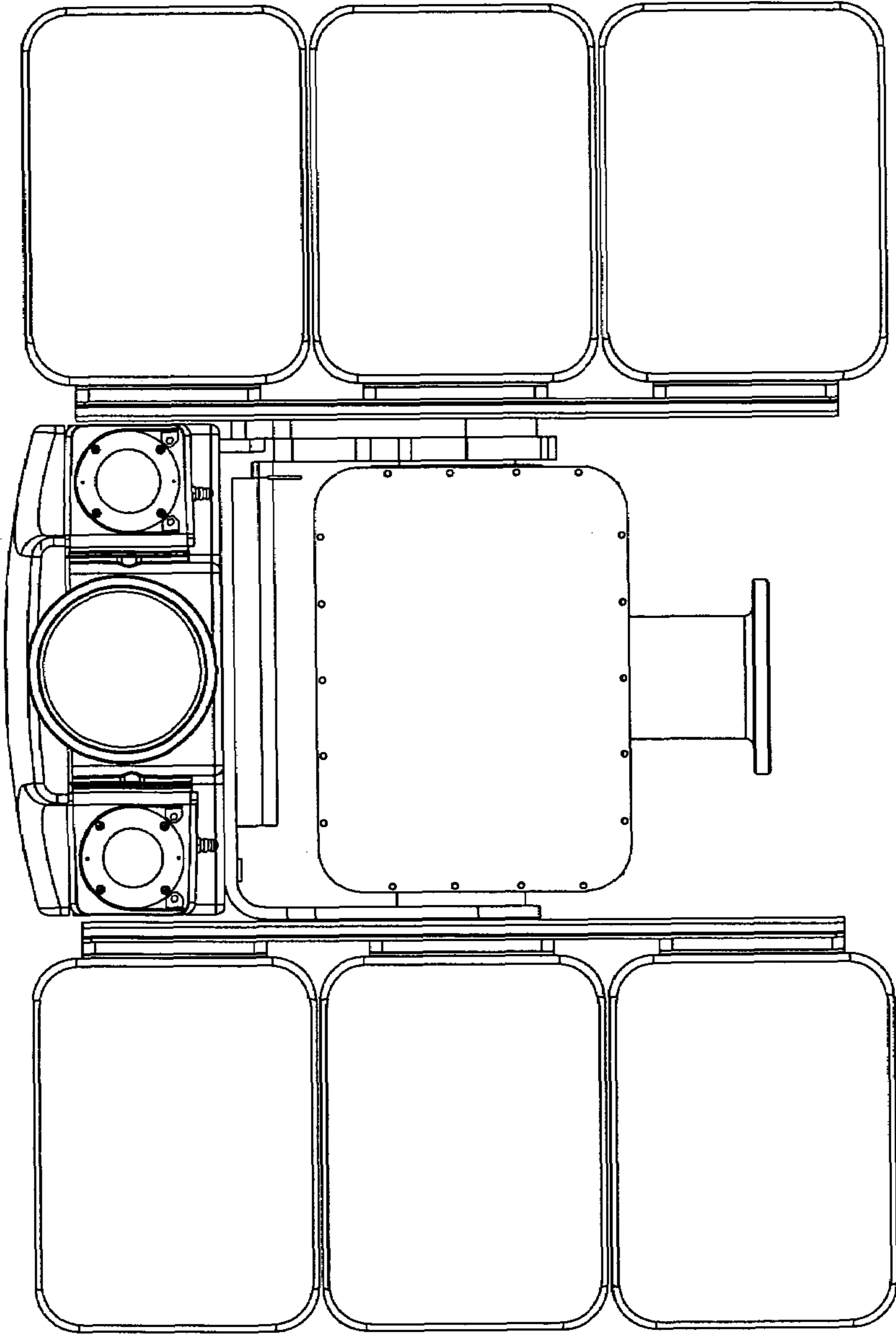


Fig. 2

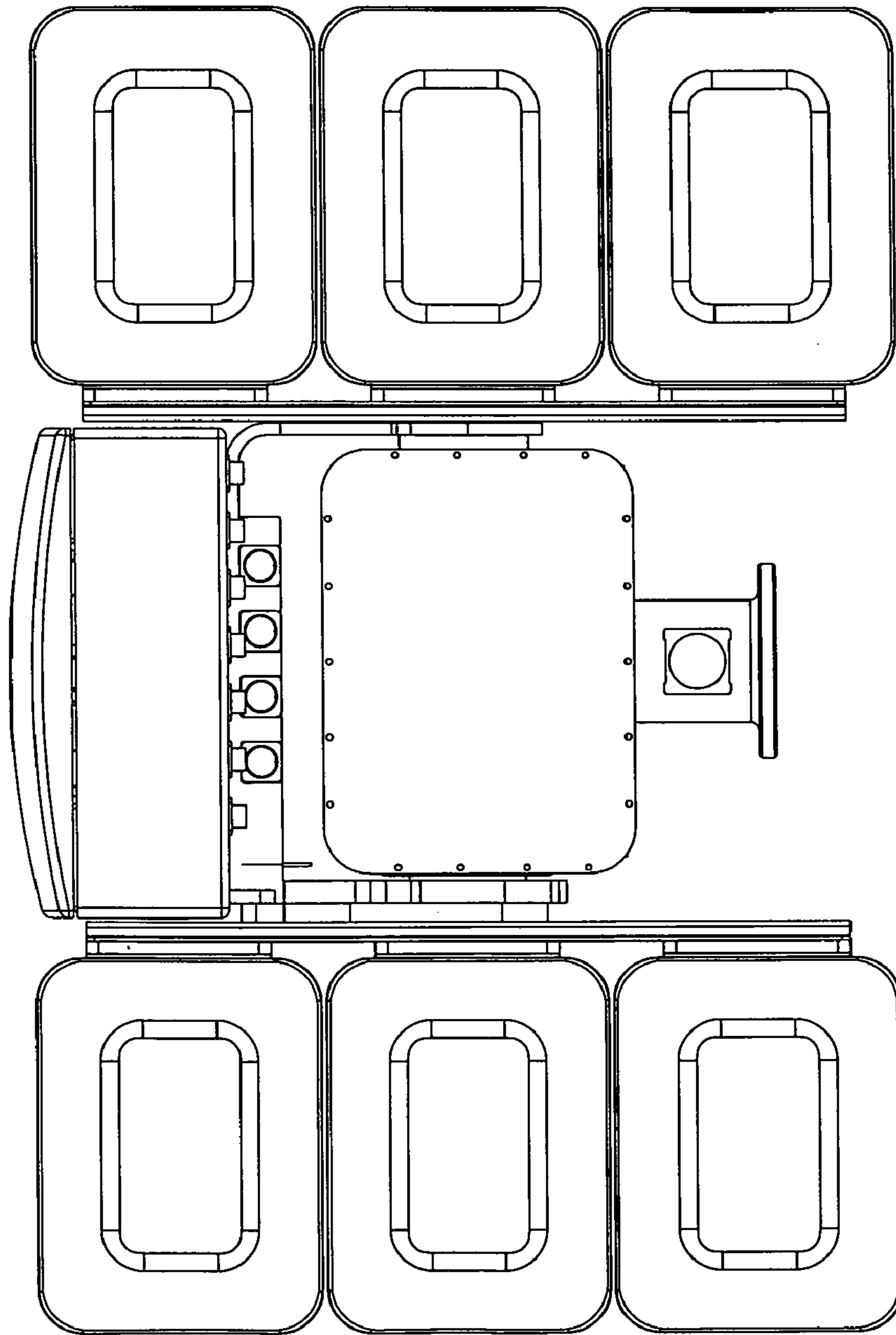


Fig. 3

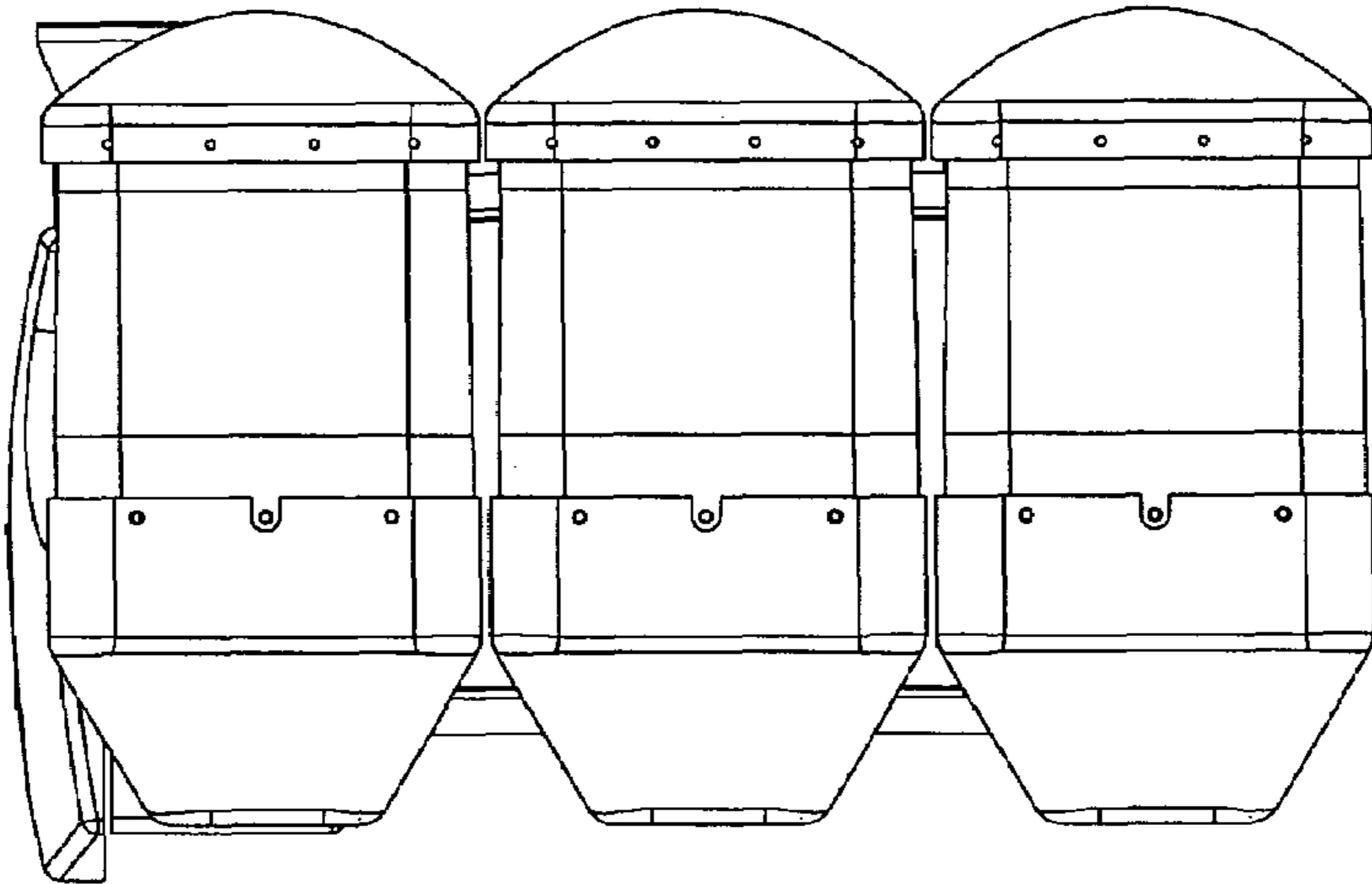


Fig. 4

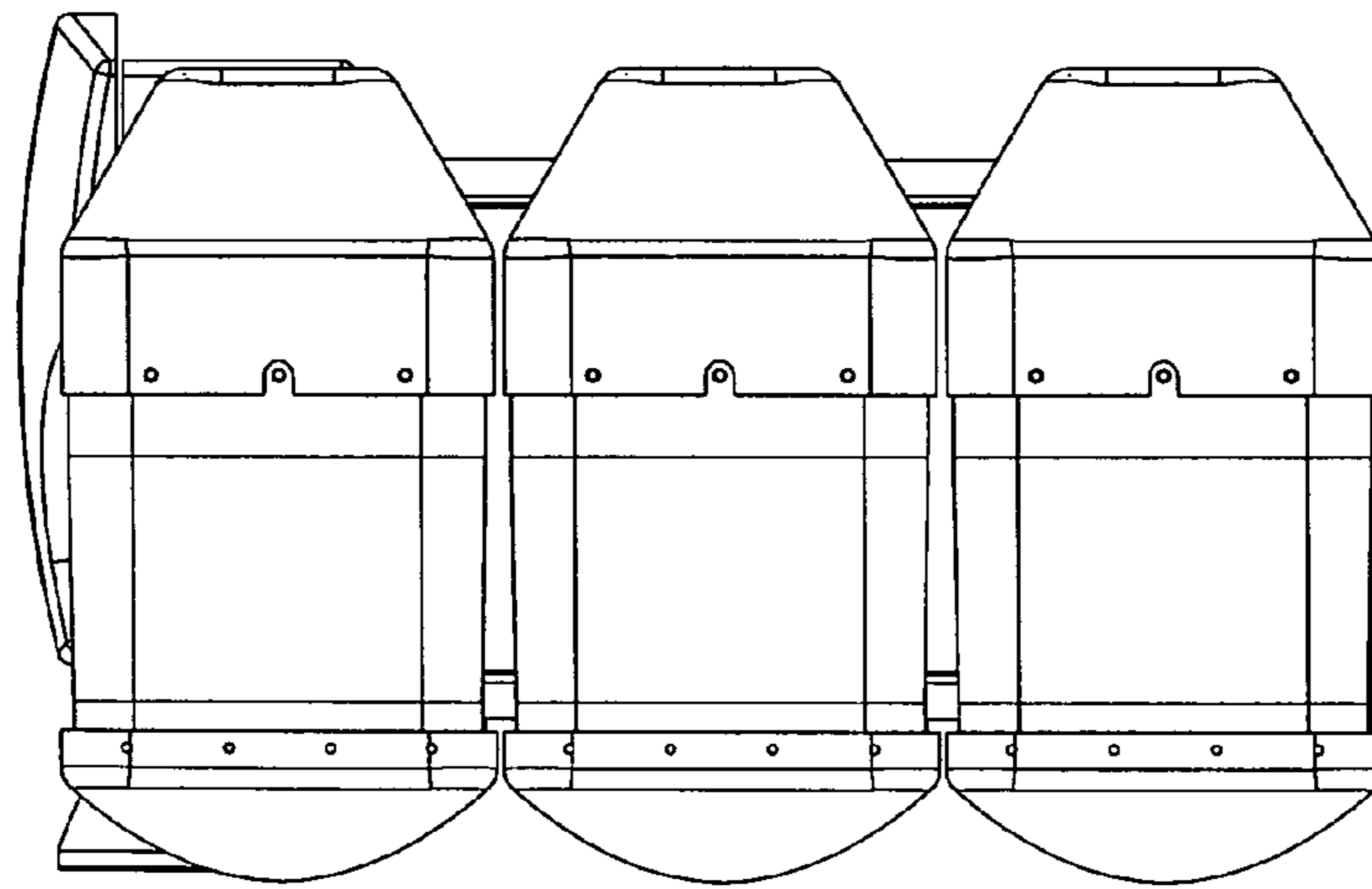


Fig. 5

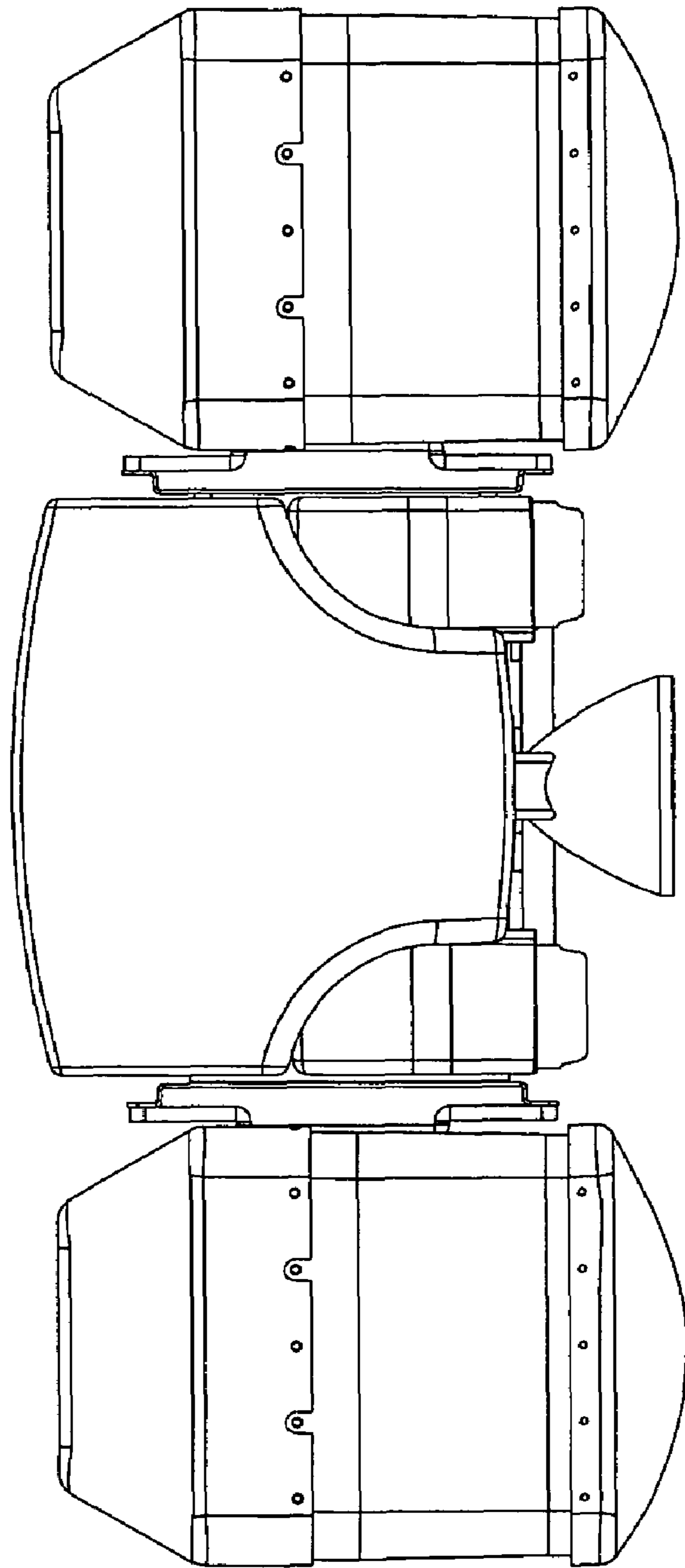


Fig. 6

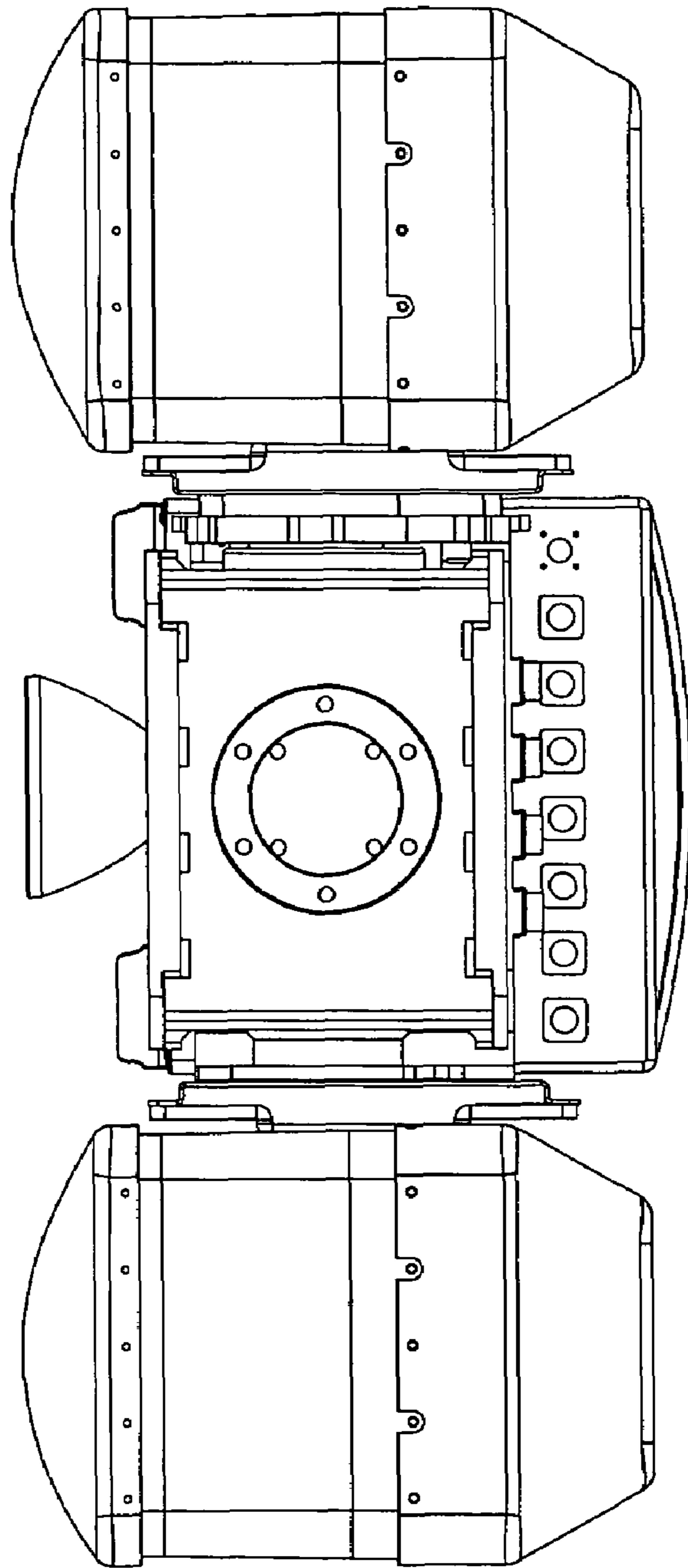


Fig. 7