



US00D593885S

(12) **United States Design Patent**
Lindstrom

(10) **Patent No.:** **US D593,885 S**
(45) **Date of Patent:** **** Jun. 9, 2009**

(54) **RULER**

DESCRIPTION

(76) Inventor: **Albert Lindstrom**, 8171 Fairwood Cir.,
Anchorage, AK (US) 99518

(**) Term: **14 Years**

(21) Appl. No.: **29/310,675**

(22) Filed: **Sep. 2, 2008**

(51) **LOC (9) Cl.** **10-04**

(52) **U.S. Cl.** **D10/71**

(58) **Field of Classification Search** D10/71;
33/483-494

See application file for complete search history.

(56) **References Cited**

U.S. PATENT DOCUMENTS

D244,090 S *	4/1977	West	D10/71
D378,743 S *	4/1997	McDonald et al.	D10/71
D406,538 S *	3/1999	Cornell et al.	D10/71
D422,517 S *	4/2000	Danon	D10/71
D430,811 S *	9/2000	DeVos	D10/71
D451,040 S *	11/2001	Szumer	D10/71
D493,735 S *	8/2004	Shapiro	D10/71
D512,927 S *	12/2005	Verdura et al.	D10/71
D554,548 S *	11/2007	Verdura et al.	D10/71

* cited by examiner

Primary Examiner—Antoine D Davis

(74) *Attorney, Agent, or Firm*—Michael J. Tavella

(57) **CLAIM**

The ornamental design for a ruler, as shown and described.

FIG. 1 is a right side elevation view of my new ruler.
 FIG. 2 is an enlarged detail view of the right side elevation of my new ruler.
 FIG. 3 is an environmental view of the ruler installed in a dovetail slot.
 FIG. 4 is a partial top perspective view of my new ruler.
 FIG. 5 is a partial bottom perspective view of my new ruler.
 FIG. 6 is a top plan view of my new ruler.
 FIG. 7 is a bottom plan view of my new ruler.
 FIG. 8 is a top plan view of a second embodiment of my new ruler.
 FIG. 9 is a bottom plan view of the second embodiment of my new ruler.
 FIG. 10 is a right side elevation view of the second embodiment of my new ruler.
 FIG. 11 is an enlarged detail view of the right side elevation of the second embodiment of my new ruler.
 FIG. 12 is an environmental view of the second embodiment of my new ruler installed in a dovetail slot.
 FIG. 13 is a partial top perspective view of the second embodiment of my new ruler; and,
 FIG. 14 is a partial bottom perspective view of the second embodiment of my new ruler.
 The dashed lines showing the dovetailed member in FIGS. 3 and 12 are for illustrative purposes only and form no part of the claimed design.

1 Claim, 8 Drawing Sheets





Figure 1



Figure 2

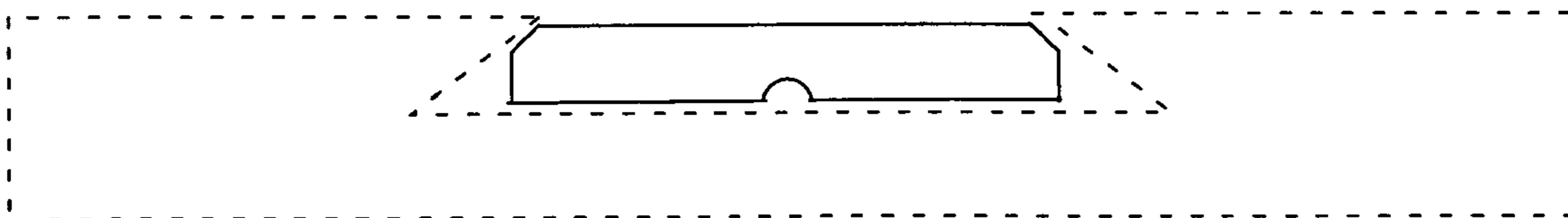


Figure 3

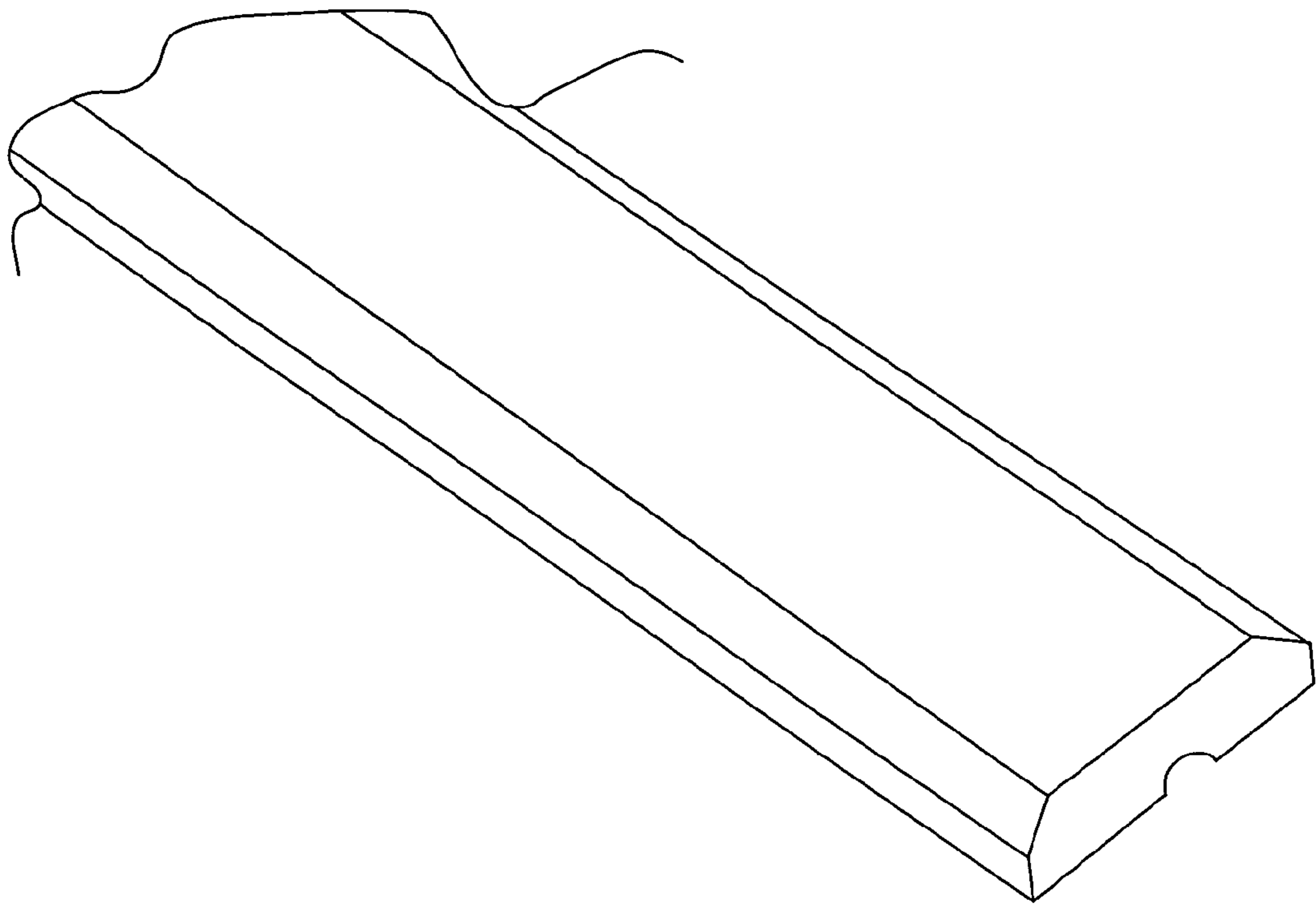


Figure 4

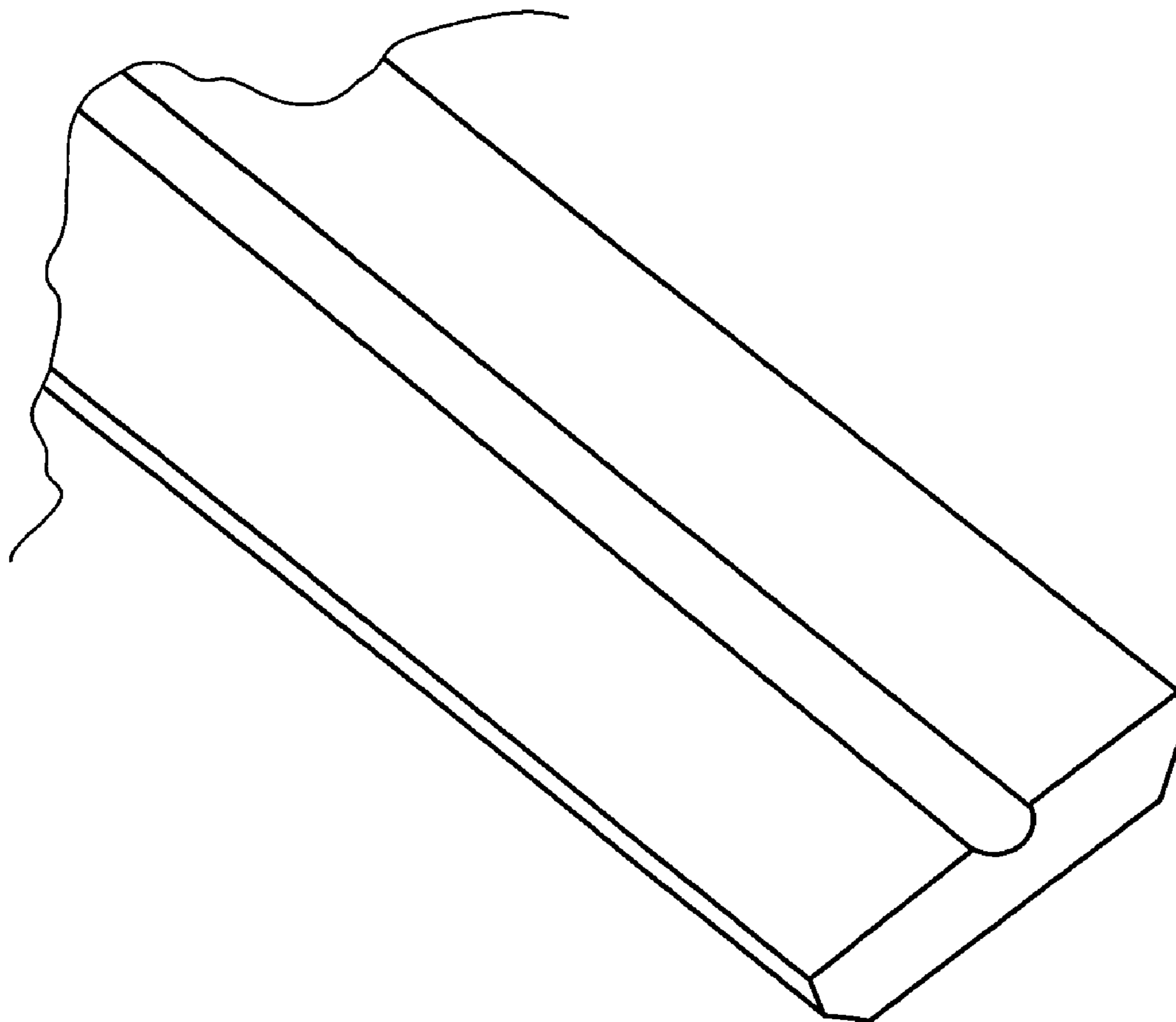


Figure 5

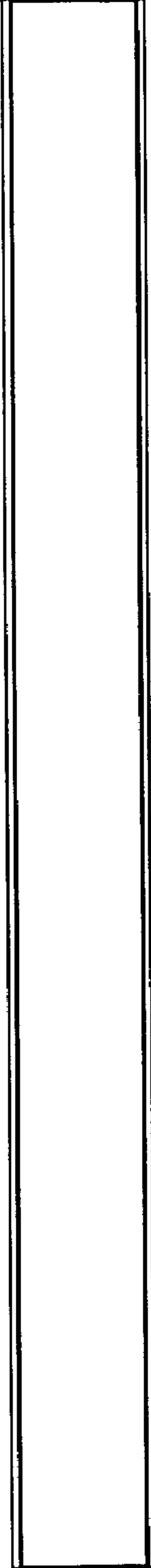


Figure 6

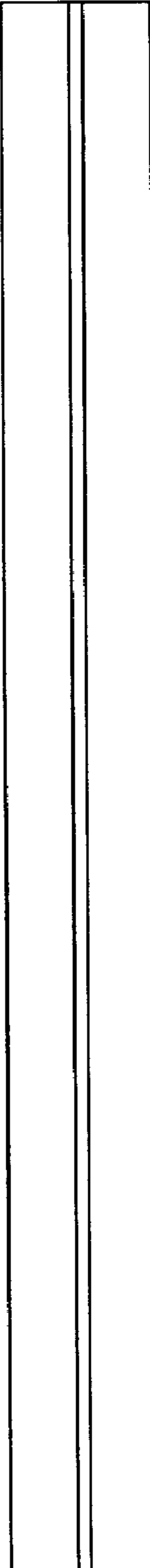


Figure 7

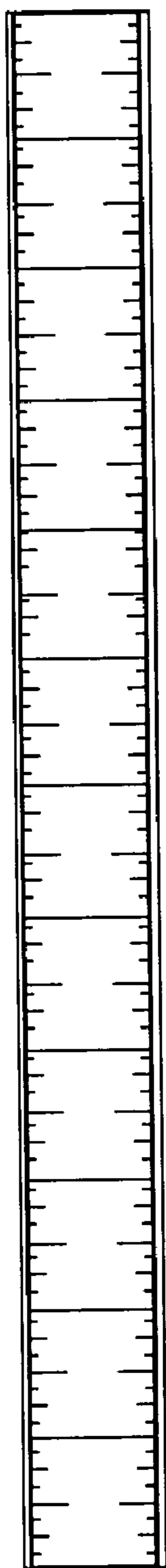


Figure 8

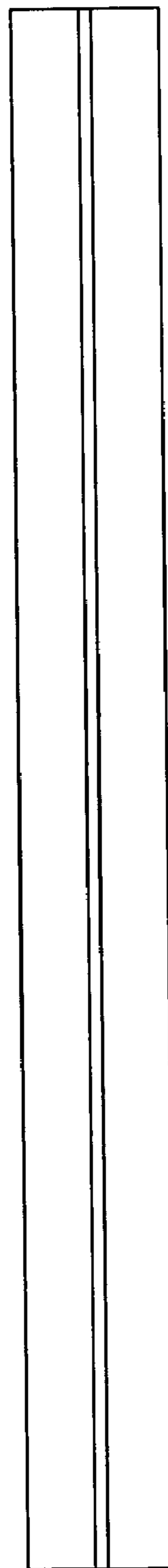


Figure 9



Figure 10



Figure 11

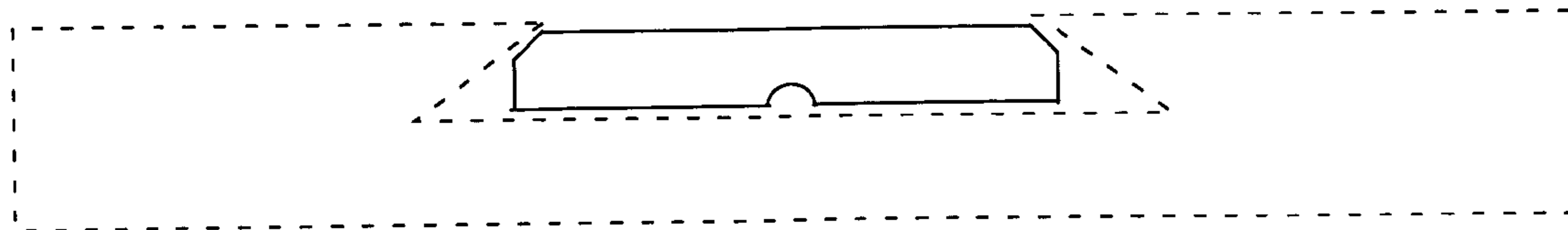


Figure 12

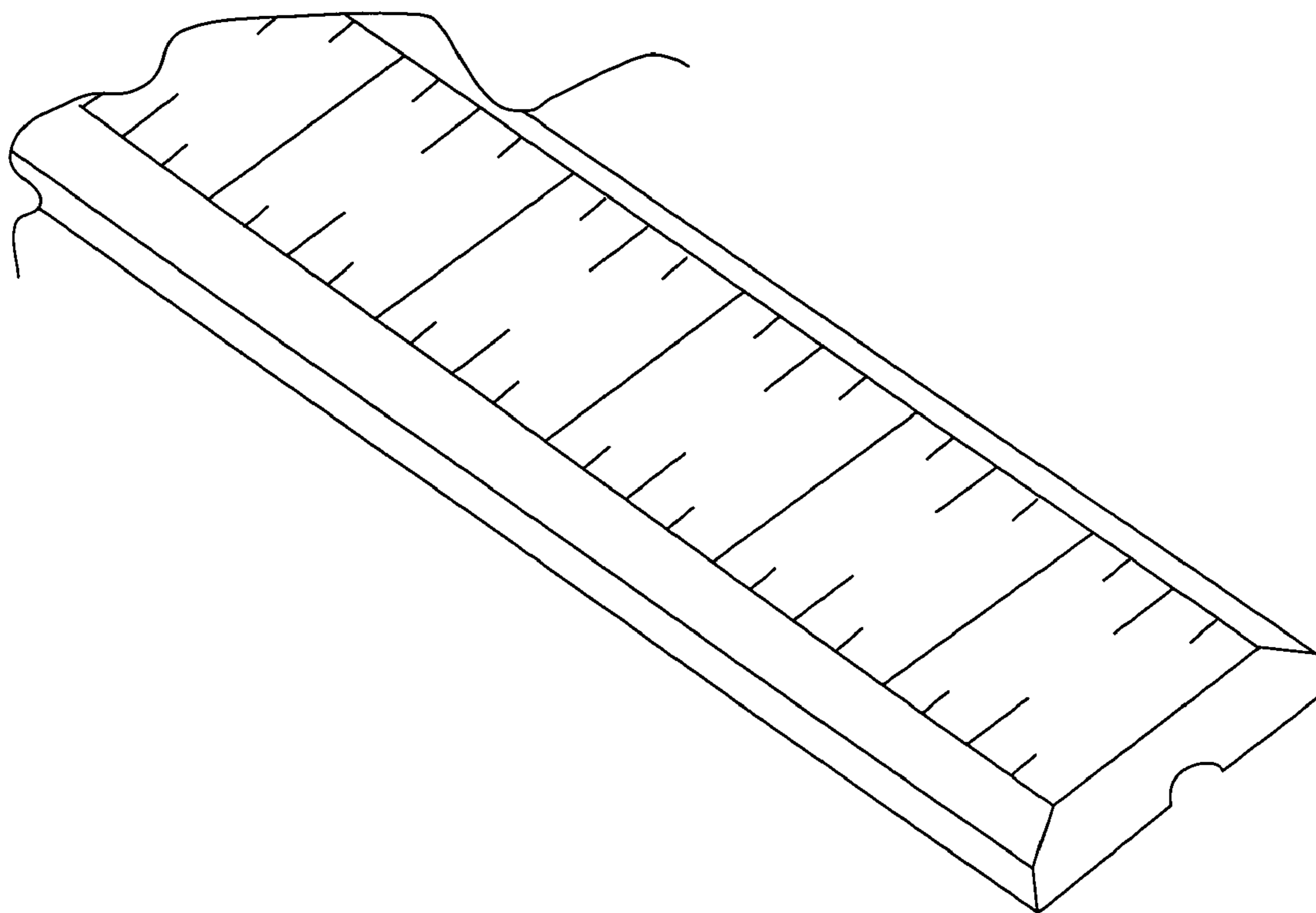


Figure 13

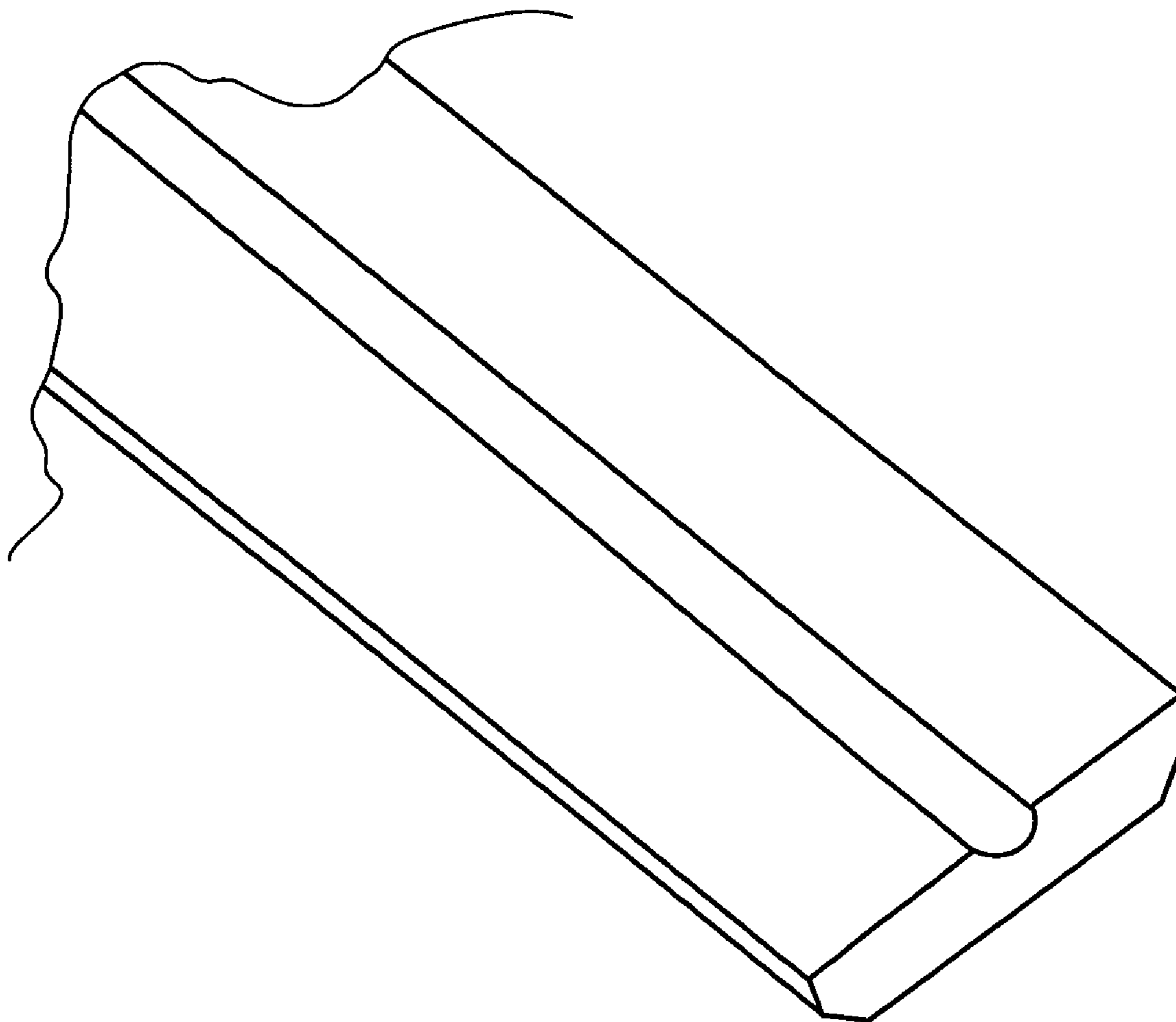


Figure 14