



US00D593882S

(12) **United States Design Patent**
Scalisi

(10) **Patent No.:** **US D593,882 S**
(45) **Date of Patent:** **** Jun. 9, 2009**

(54) **LOCATION TRACKING DEVICE AND BASE CHARGING UNIT**

(75) Inventor: **Joseph F. Scalisi**, Yorba Linda, CA (US)

(73) Assignee: **Location Based Technologies, Inc.**,
Anaheim, CA (US)

(**) Term: **14 Years**

(21) Appl. No.: **29/322,118**

(22) Filed: **Jul. 29, 2008**

(51) **LOC (9) Cl.** **10-04**

(52) **U.S. Cl.** **D10/65**

(58) **Field of Classification Search** D10/65,
D10/70; 356/5.15, 4.01, 5.01, 5.08, 4.05,
356/5.07, 5.09, 5.12, 28.5, 345, 375, 3.01,
356/5.06, 128-155, 399, 400; 385/83, 97,
385/99, 134-139; 701/211-213; 702/150,
702/185, 208; 264/1.24-1.25; 33/276, 277,
33/281, 285, 286, 290, 291-299; 340/573.1-573.4,
340/539, 825.36, 825.46, 825.49, 357.02,
340/357.07-357.09; D13/107-108; 320/107-115
See application file for complete search history.

(56) **References Cited**

U.S. PATENT DOCUMENTS

D346,125	S	*	4/1994	Cote et al.	D10/65
D380,729	S	*	7/1997	Richards et al.	D13/108
5,894,275	A	*	4/1999	Swingle	340/692
D409,563	S	*	5/1999	Haase et al.	D13/107
6,302,554	B1	*	10/2001	Holce	362/84
D459,250	S	*	6/2002	Kitamura	D10/65
6,674,364	B1	*	1/2004	Holbrook et al.	340/568.1
D526,586	S	*	8/2006	McCaghren et al.	D10/65
7,385,502	B2	*	6/2008	Deola	340/539.21
D575,649	S	*	8/2008	Scalisi et al.	D10/65
7,479,890	B2	*	1/2009	Lehrman et al.	340/573.1
2006/0006998	A1	*	1/2006	Carlson	340/539.12
2006/0087440	A1	*	4/2006	Klein	340/573.3

* cited by examiner

Primary Examiner—Antoine D Davis

(74) *Attorney, Agent, or Firm*—Law Office of Robert E. Kasody, P.C.

(57) **CLAIM**

The ornamental design for a location tracking device and base charging unit, as shown and described.

DESCRIPTION

FIG. 1 is a perspective view of the front and left side of the base charging unit of the ornamental design;

FIG. 2 is a front elevational view of the base charging unit thereof;

FIG. 3 is a left side elevational view of the base charging unit thereof;

FIG. 4 is a right side elevational view of the base charging unit thereof;

FIG. 5 is a top elevational view of the base charging unit thereof;

FIG. 6 is a bottom elevational view of the base charging unit thereof;

FIG. 7 is a rear elevation view of the base charging unit thereof;

FIG. 8 is a perspective view showing the front and left side of the location tracking device inserted into the base charging unit thereof;

FIG. 9 is a perspective view showing the front and left side of the location tracking device removed from the base charging unit thereof;

FIG. 10 is a front elevational view of the location tracking device thereof;

FIG. 11 is a top elevational view of the location tracking device thereof;

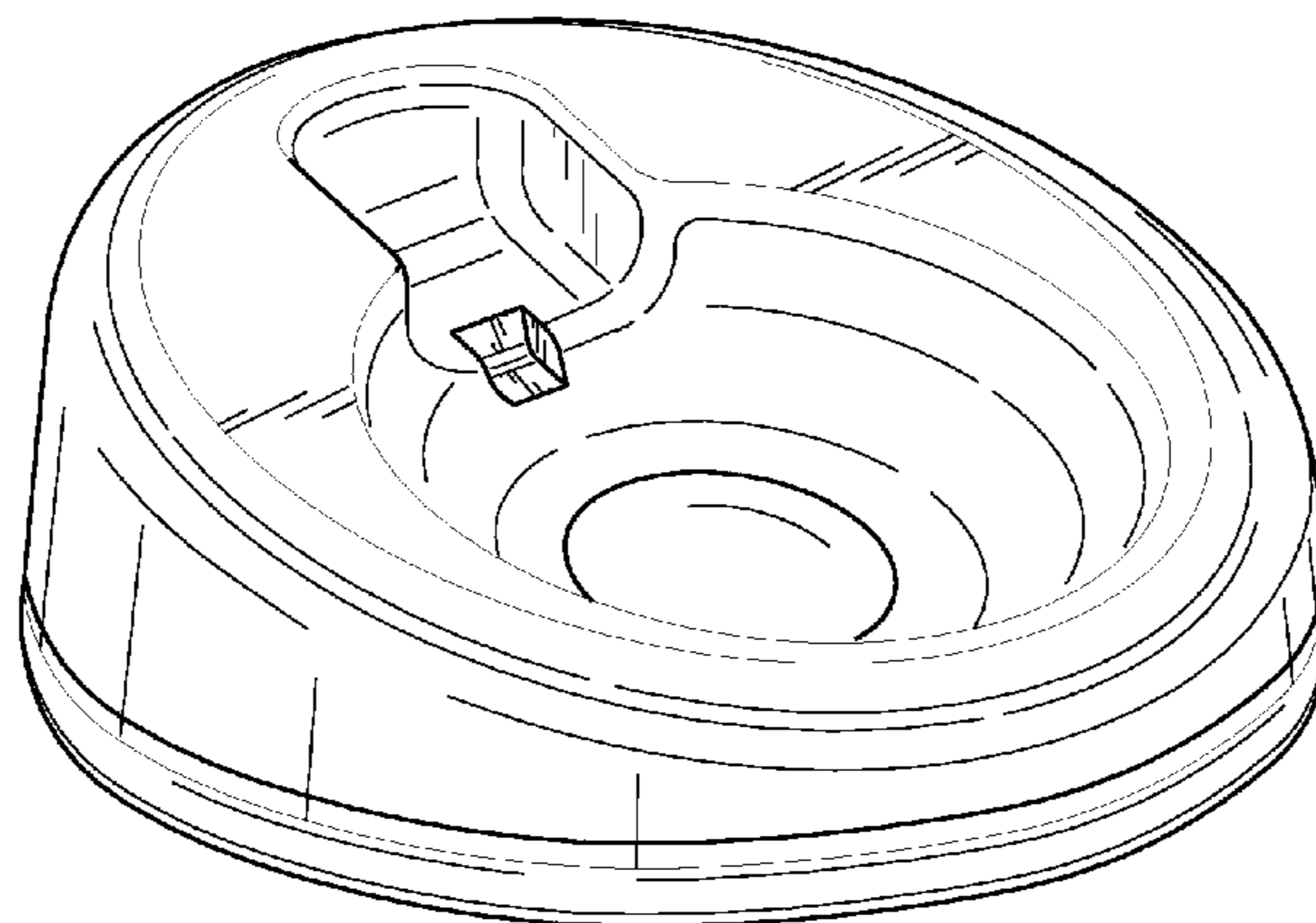
FIG. 12 is a side elevational view of the location tracking device thereof;

FIG. 13 is a bottom elevational view of the location tracking device thereof; and,

FIG. 14 is a rear elevational view of the location tracking device.

The broken lines are for illustrative purposes only and form no part of the claimed design.

1 Claim, 5 Drawing Sheets



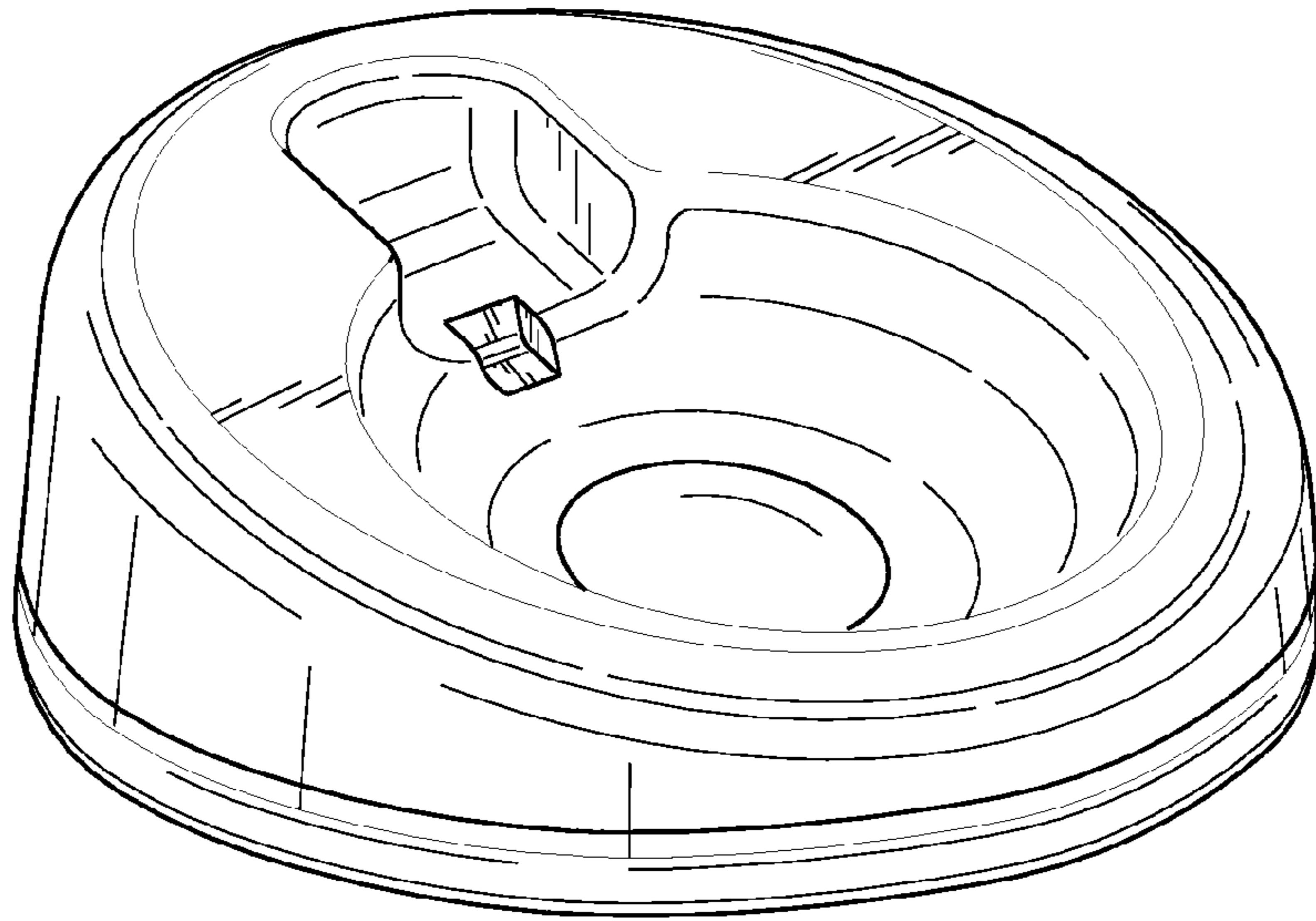


FIG. 1

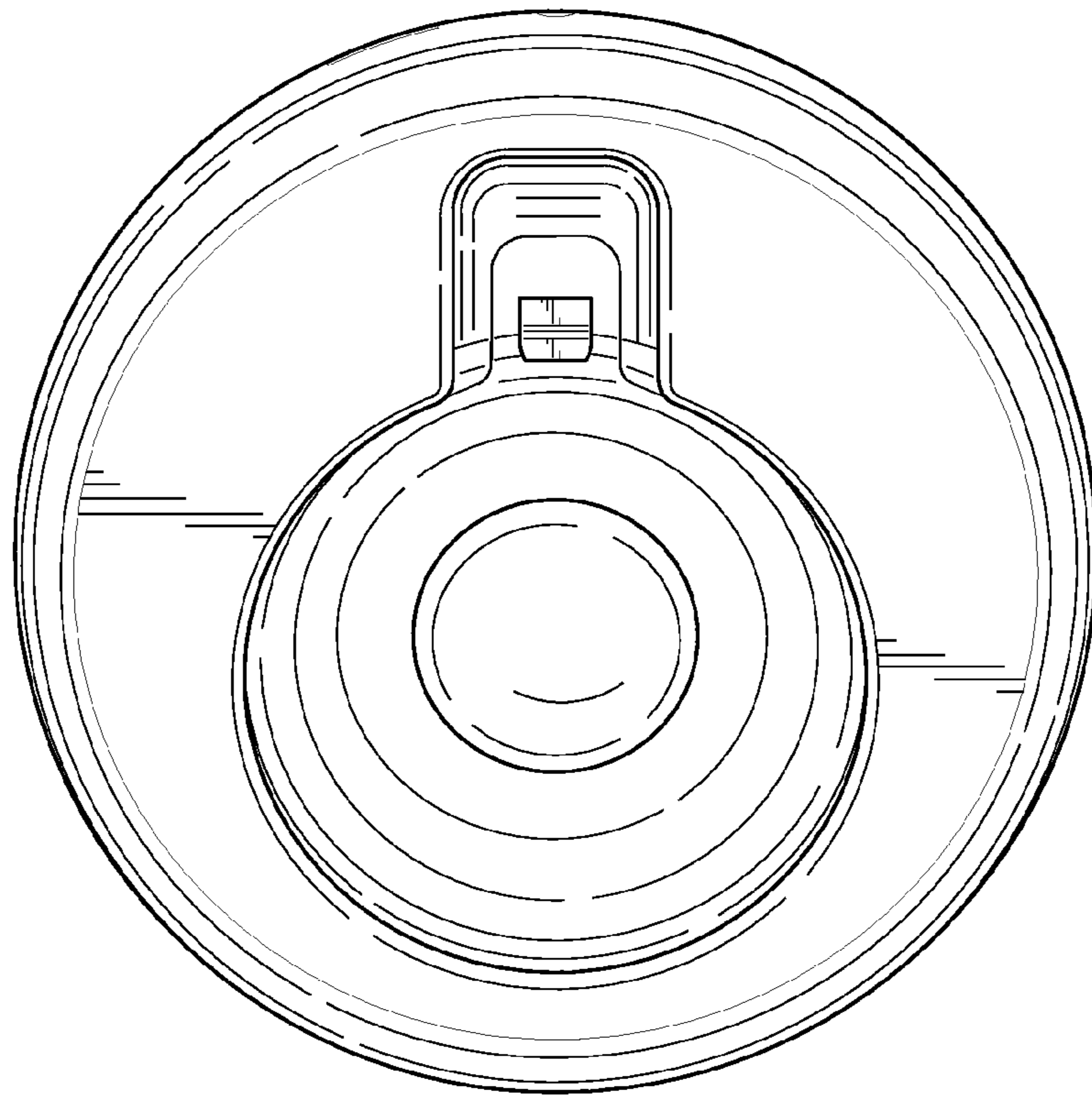


FIG. 2

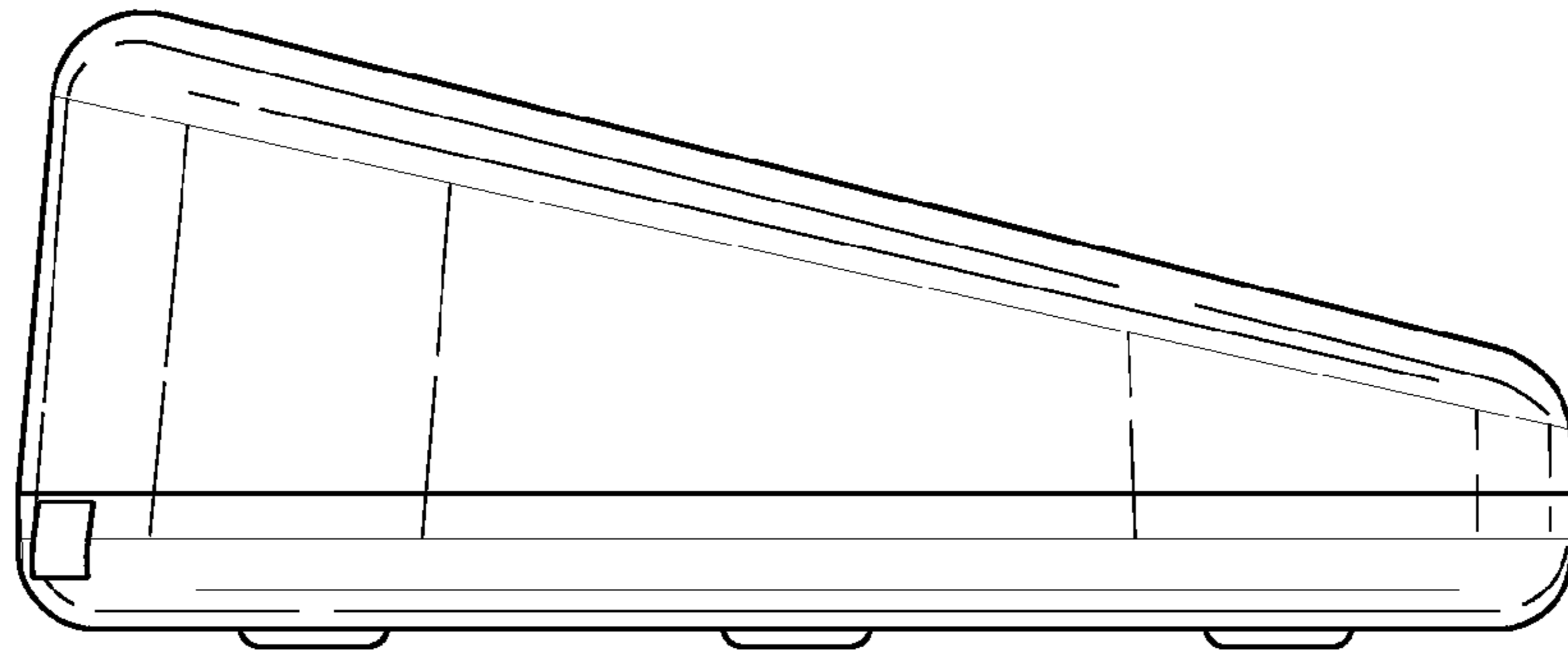


FIG. 3

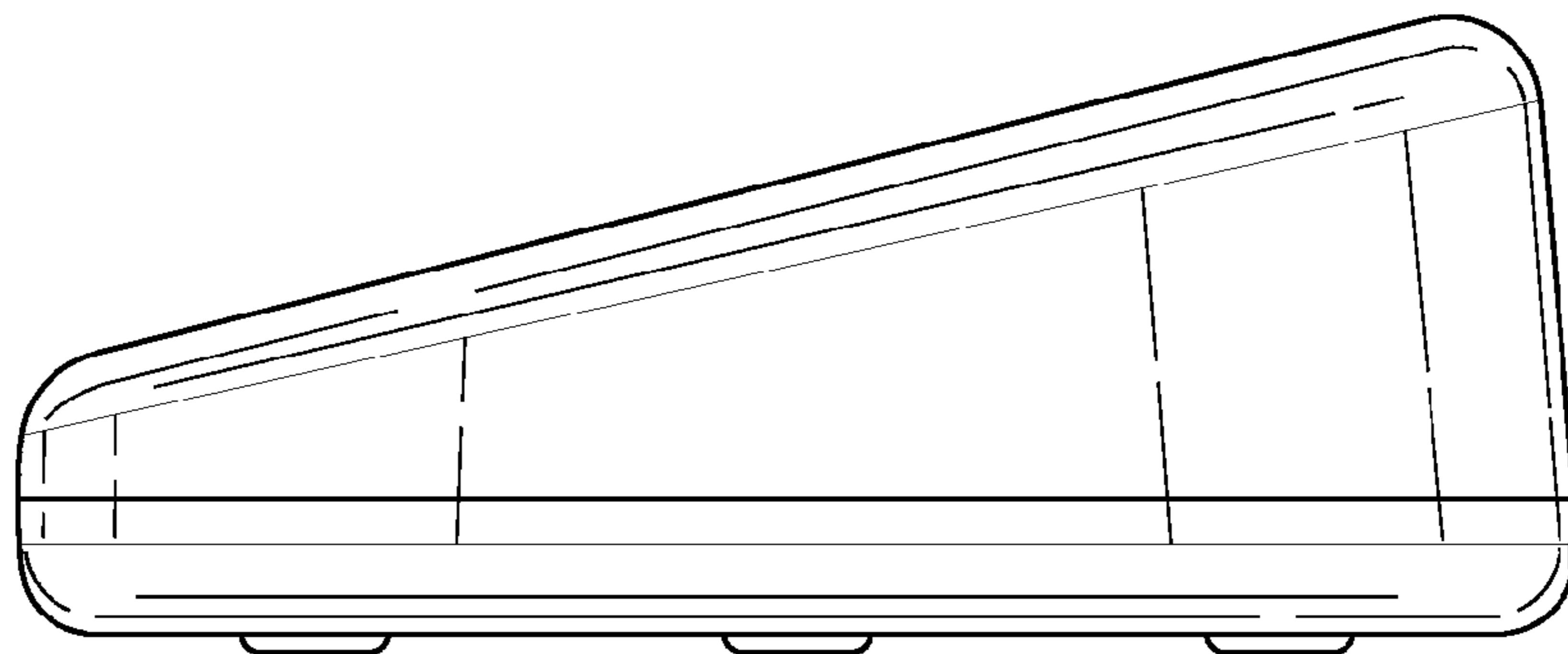


FIG. 4

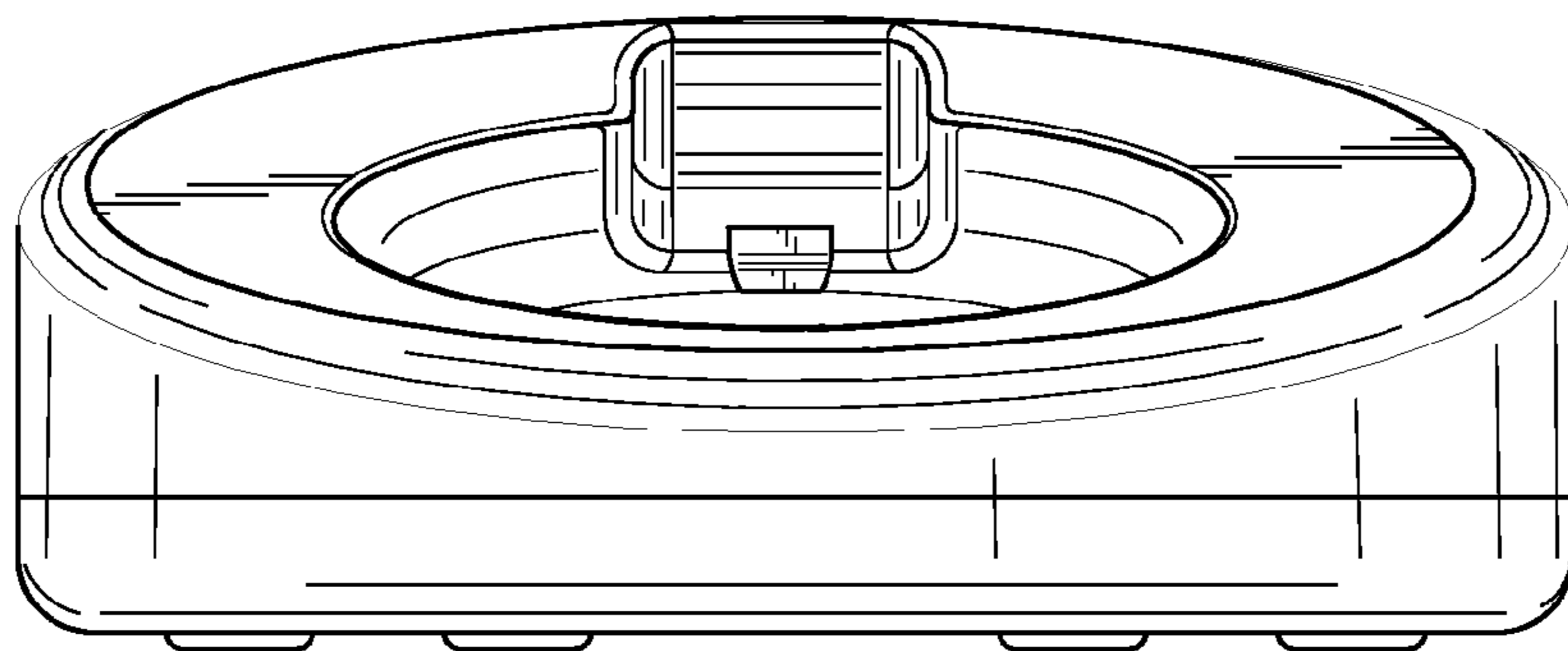


FIG. 5

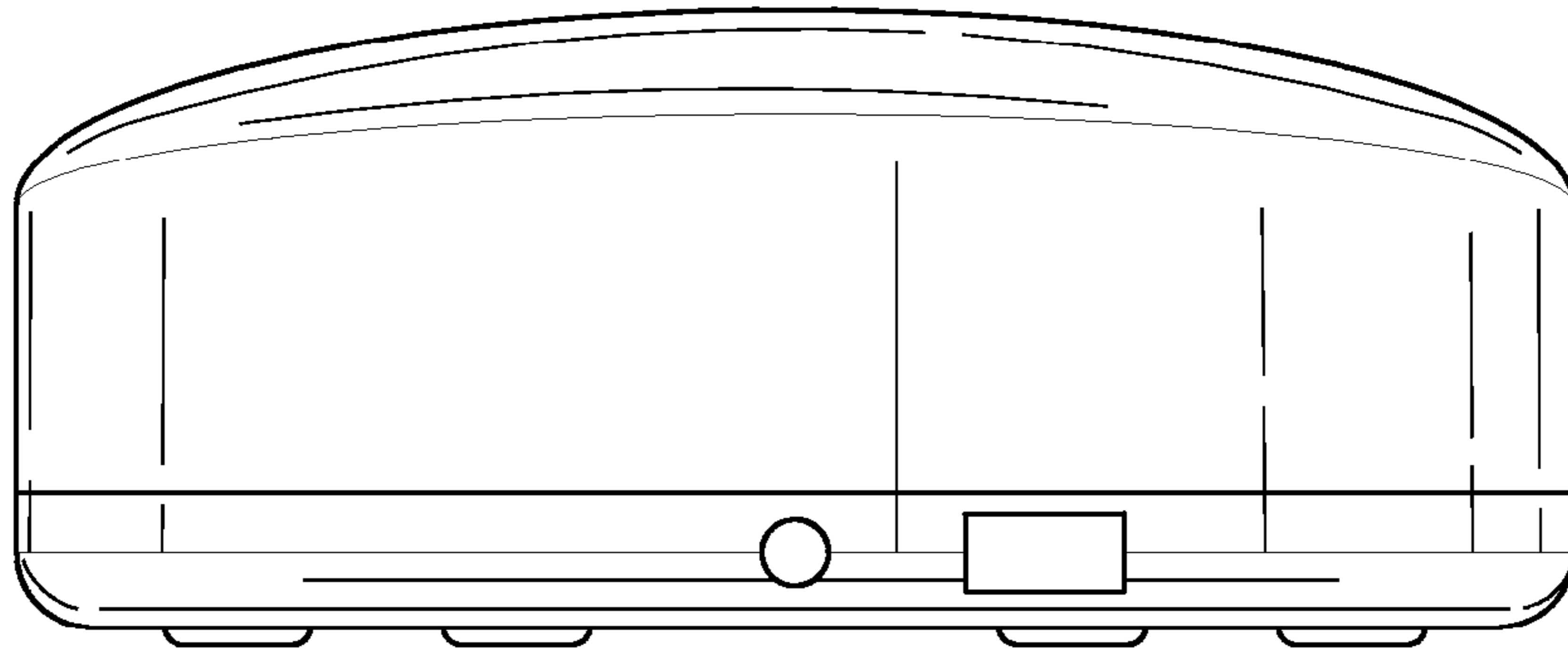


FIG. 6

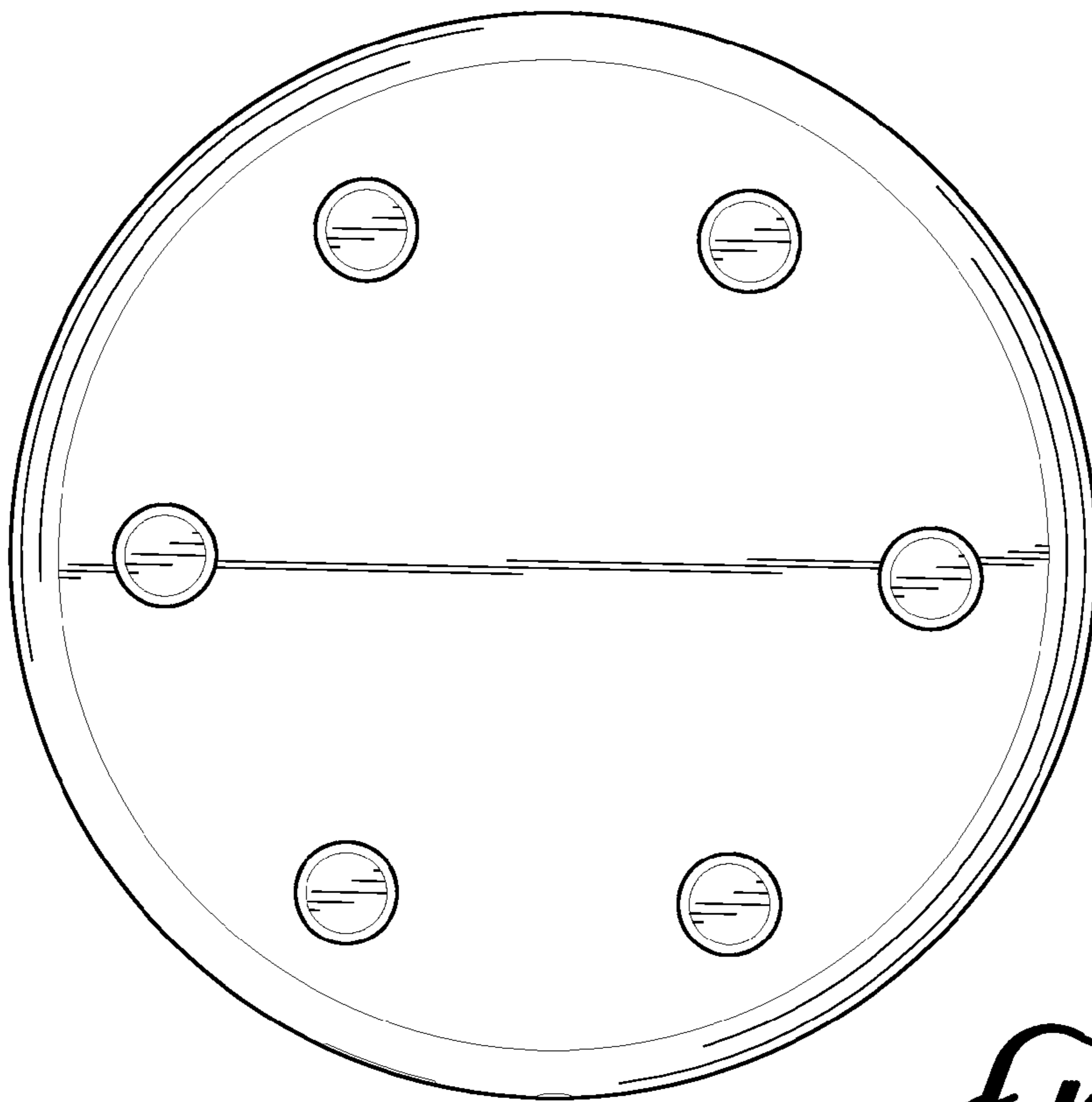


FIG. 7

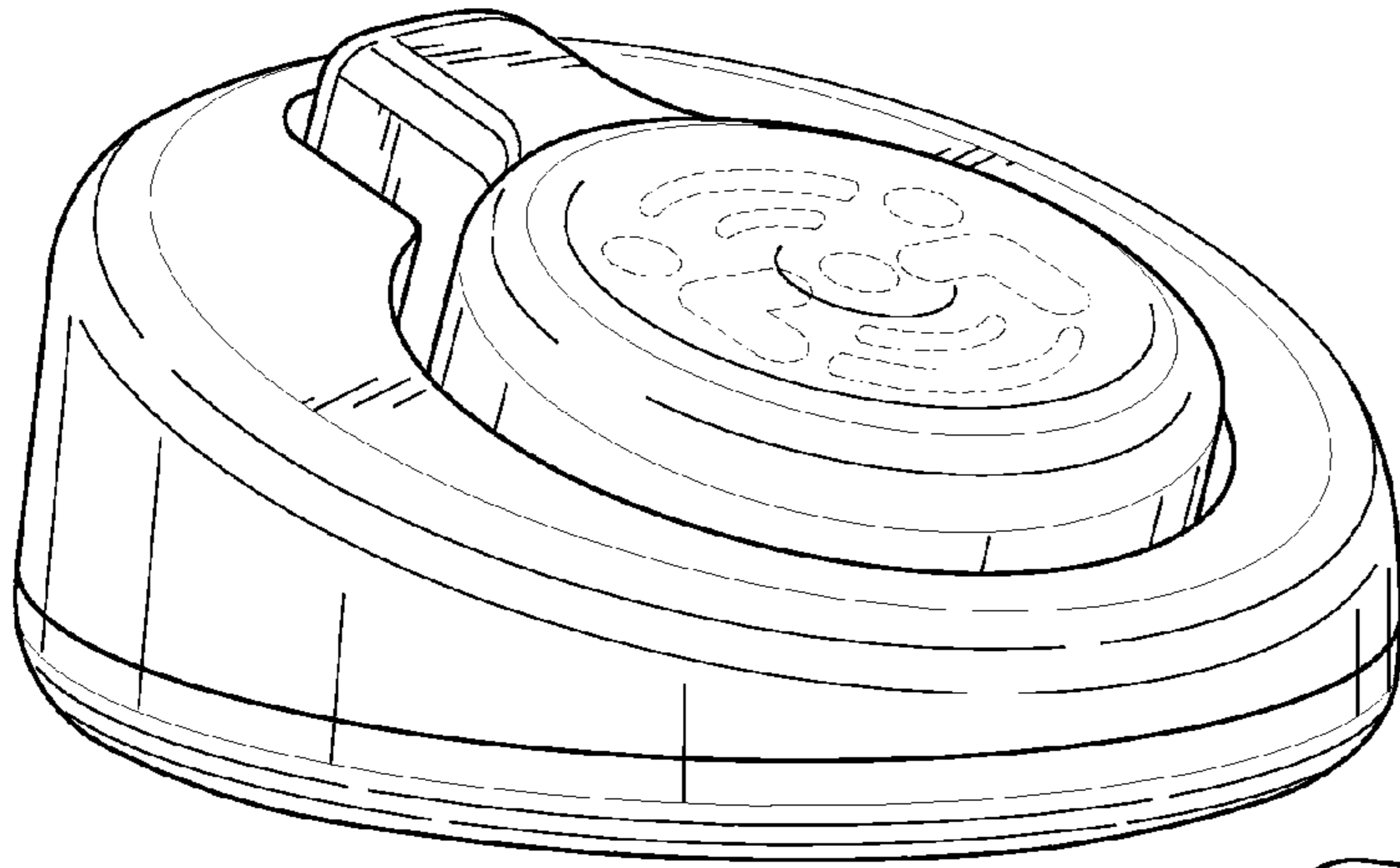


Fig. 8

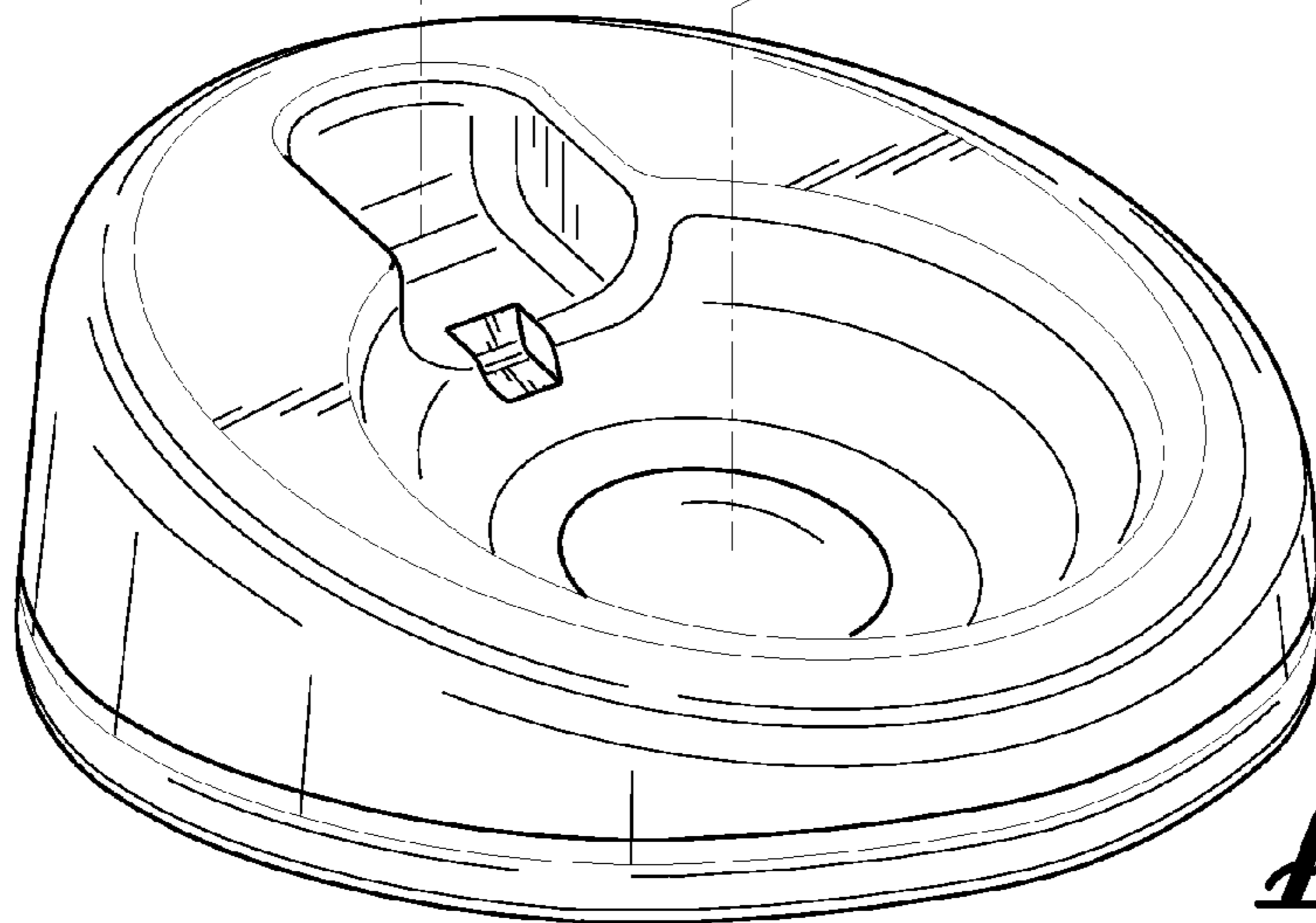
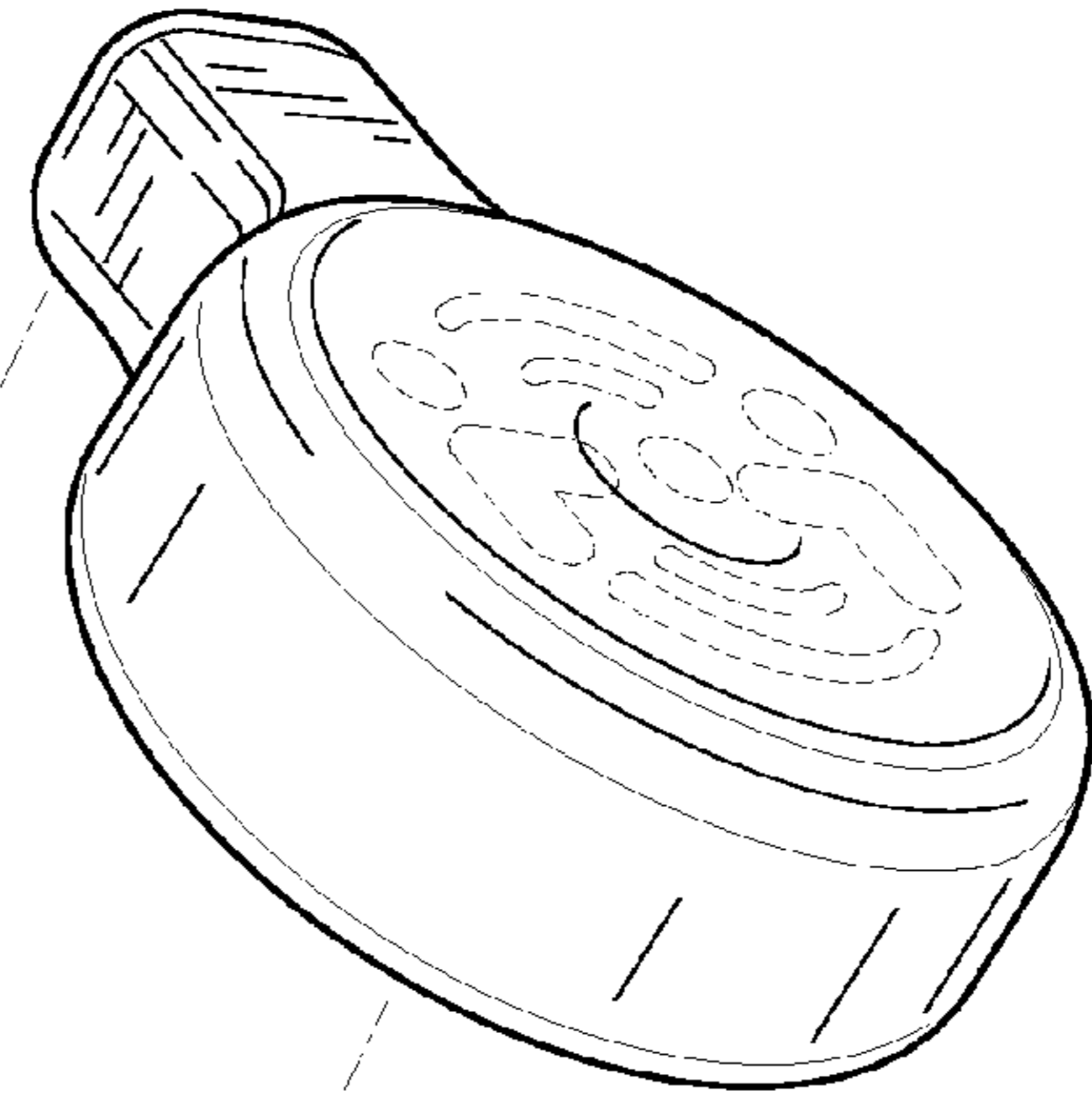


Fig. 9

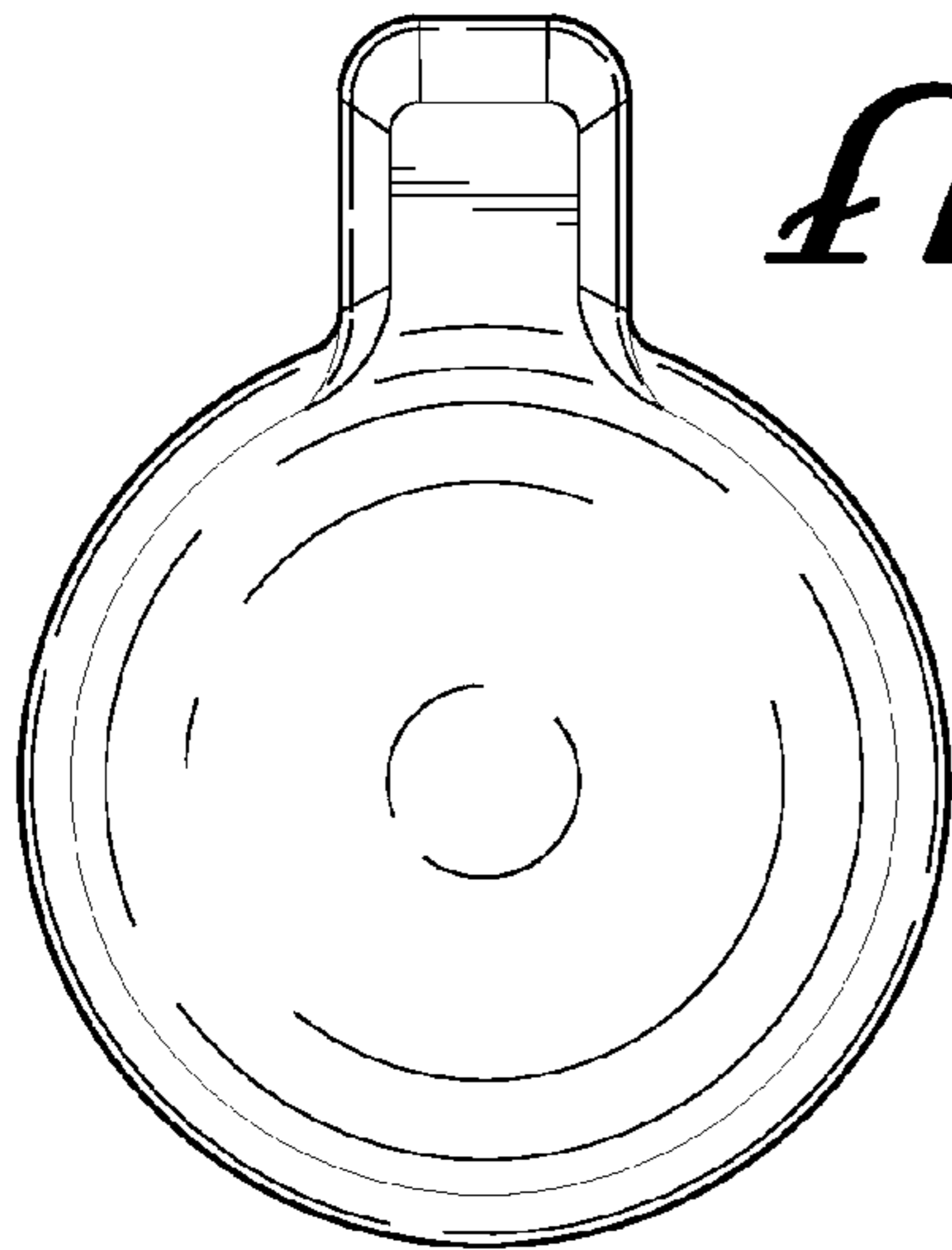


FIG. 10

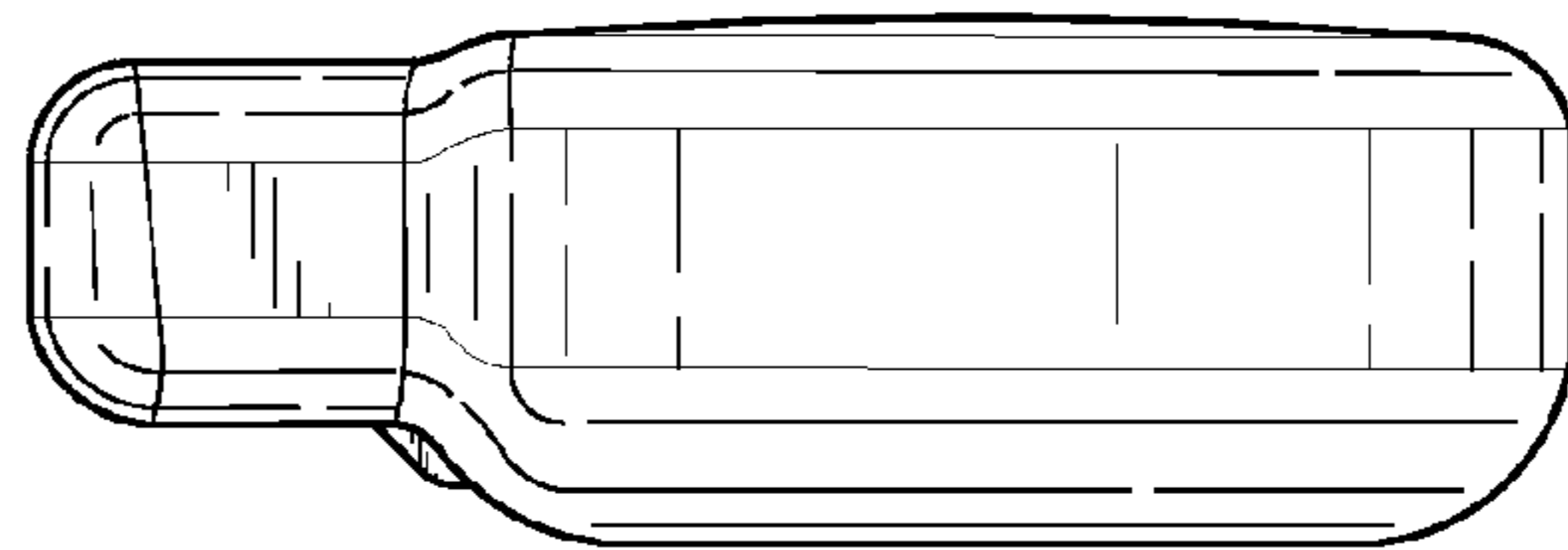


FIG. 12

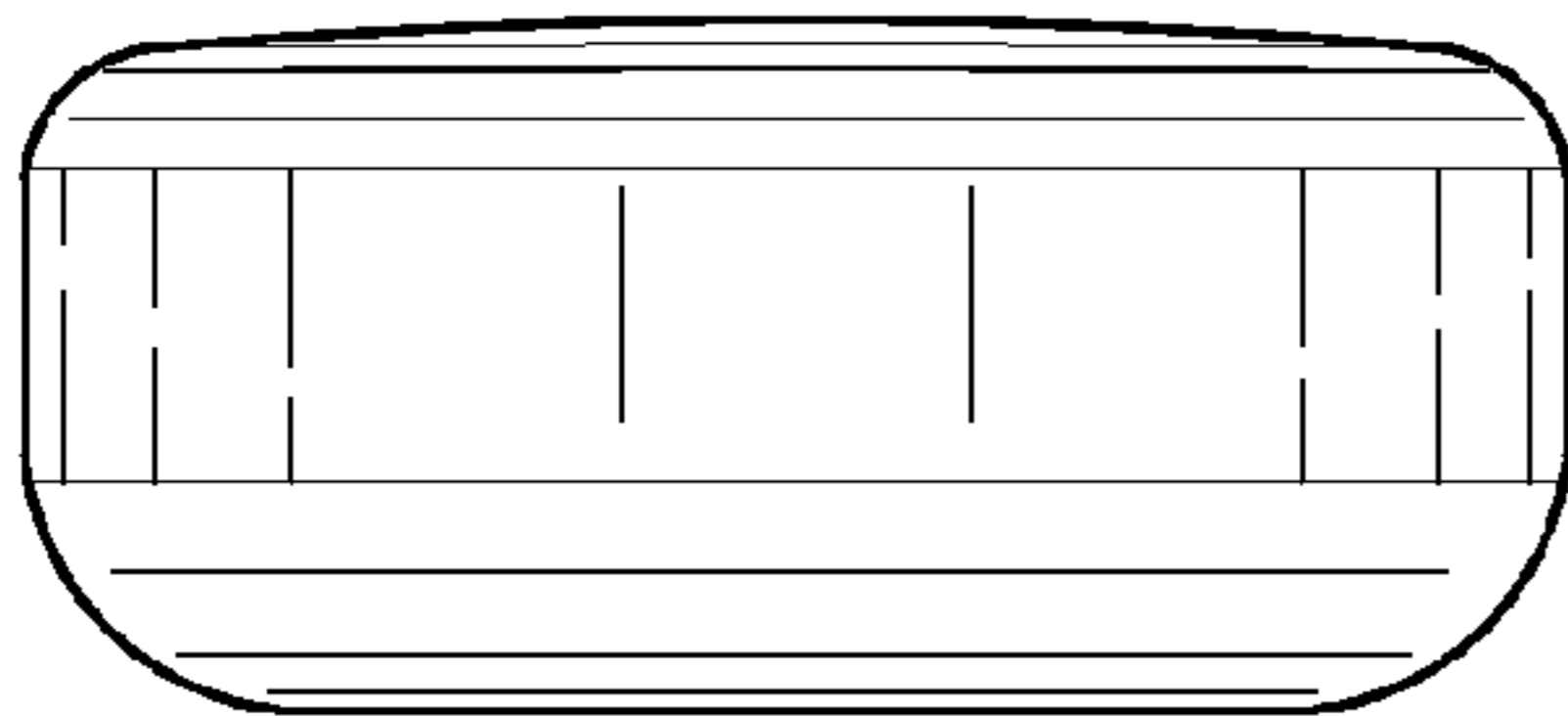


FIG. 11

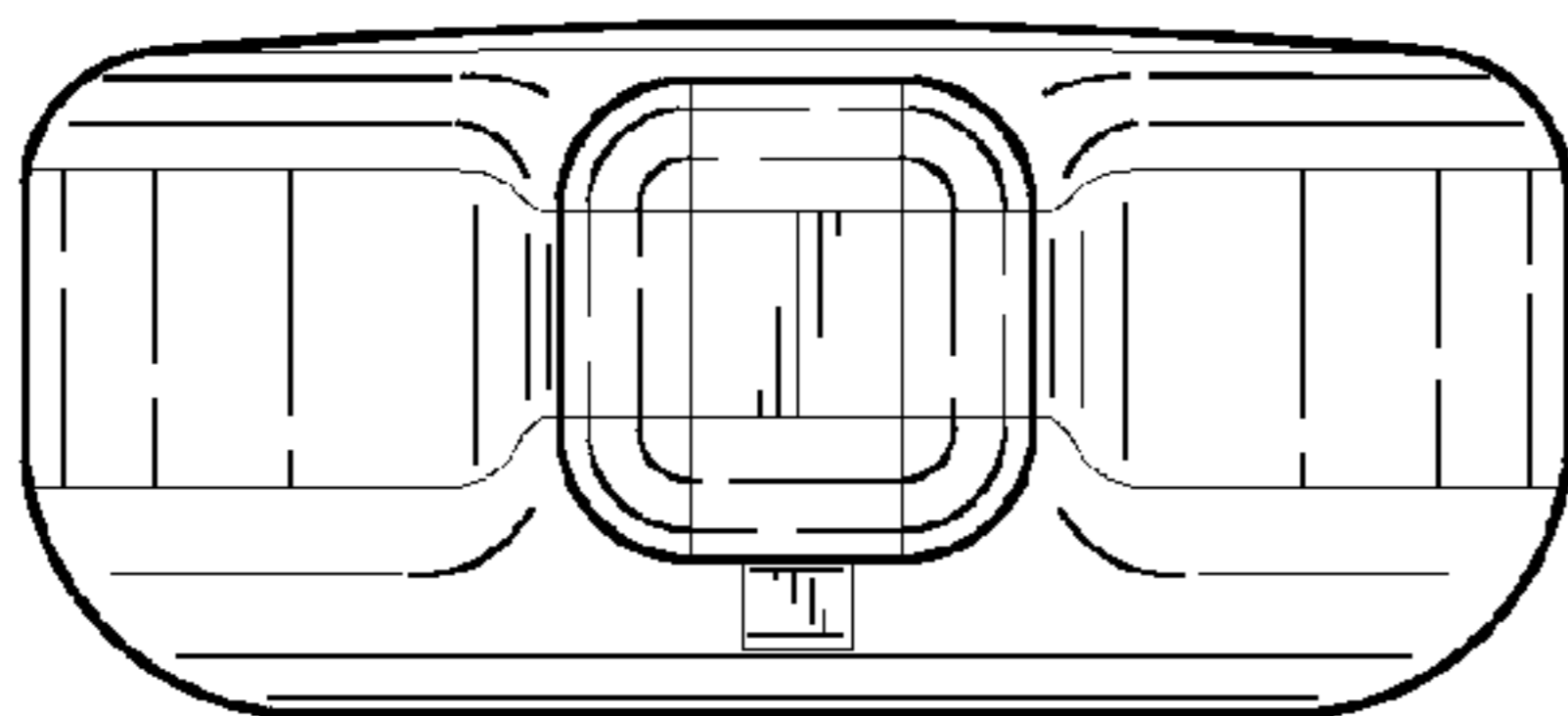


FIG. 13

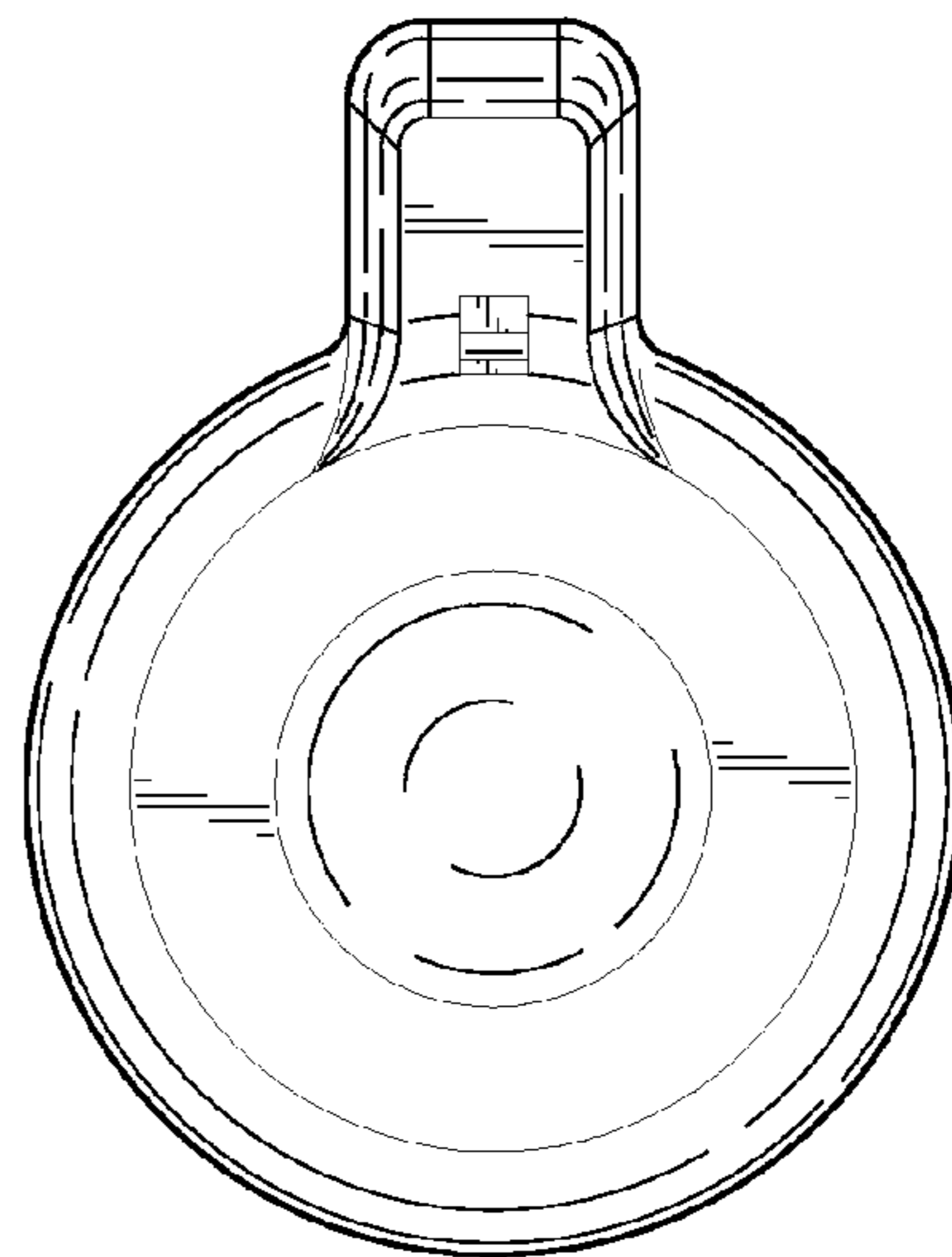


FIG. 14