



US00D593881S

(12) **United States Design Patent**
Endo et al.

(10) **Patent No.:** **US D593,881 S**
(45) **Date of Patent:** **** Jun. 9, 2009**

(54) **DIGITAL INFORMATION PLAYER WITH MONITOR FOR VEHICLE**

(75) Inventors: **Hideki Endo**, Yokohama (JP); **Taro Iwamoto**, Tokyo (JP); **Takayuki Horie**, Komae (JP)

(73) Assignee: **Alpine Electronics, Inc.**, Tokyo (JP)

(**) Term: **14 Years**

(21) Appl. No.: **29/307,312**

(22) Filed: **Apr. 10, 2008**

(30) **Foreign Application Priority Data**

Oct. 11, 2007 (JP) 2007-027751

(51) **LOC (9) Cl.** **10-04**

(52) **U.S. Cl.** **D10/65**

(58) **Field of Classification Search** D10/65,
D10/70; D14/347, 336, 337, 340, 371, 374,
D14/375, 376, 377; 342/351, 419, 457, 357.06-357.16;
343/702; 345/87, 104, 133, 156, 168, 173,
345/901-905, 582; 348/180, 184, 315, 739,
348/836, 838, 325, 834, E5.128; 364/444,
364/499; 701/206-209, 213-214; 312/7.2;
341/12; 720/605, 669, 600, 655; 369/99,
369/197; 455/344, 347; 361/679.27

See application file for complete search history.

(56) **References Cited**

U.S. PATENT DOCUMENTS

D389,757 S * 1/1998 Nishimura et al. D10/65
D390,137 S * 2/1998 Nishimura et al. D10/65
D422,924 S * 4/2000 Bendinelli D10/65
D457,080 S * 5/2002 Roelke et al. D10/65
D457,444 S * 5/2002 Roelke et al. D10/65

D458,549 S * 6/2002 Roelke et al. D10/65
D459,248 S * 6/2002 Roelke et al. D10/65
D535,899 S * 1/2007 Li D10/65
D536,630 S * 2/2007 Li D10/70
D537,003 S * 2/2007 Li D10/70
D550,637 S 9/2007 Iwamoto et al.
D565,979 S 4/2008 Ichikawa et al.
7,466,540 B2 * 12/2008 Takahashi et al. 345/582

OTHER PUBLICATIONS

U.S. Appl. No. 29/261,781, filed Jun. 20, 2006, Iwamoto et al.
U.S. Appl. No. 29/288,552, filed Jun. 14, 2007, Iwamoto et al.

* cited by examiner

Primary Examiner—Antoine D Davis

(74) *Attorney, Agent, or Firm*—Brinks Hofer Gilson & Lione

(57) **CLAIM**

We claim the ornamental design for a digital information player with monitor for vehicle, as shown and described.

DESCRIPTION

FIG. 1 is a perspective view of a digital information player with monitor for vehicle, showing our new, original and ornamental design;

FIG. 2 is a partially exploded perspective view thereof with the monitor removed;

FIG. 3 is a front elevational view thereof;

FIG. 4 is a rear elevational view thereof;

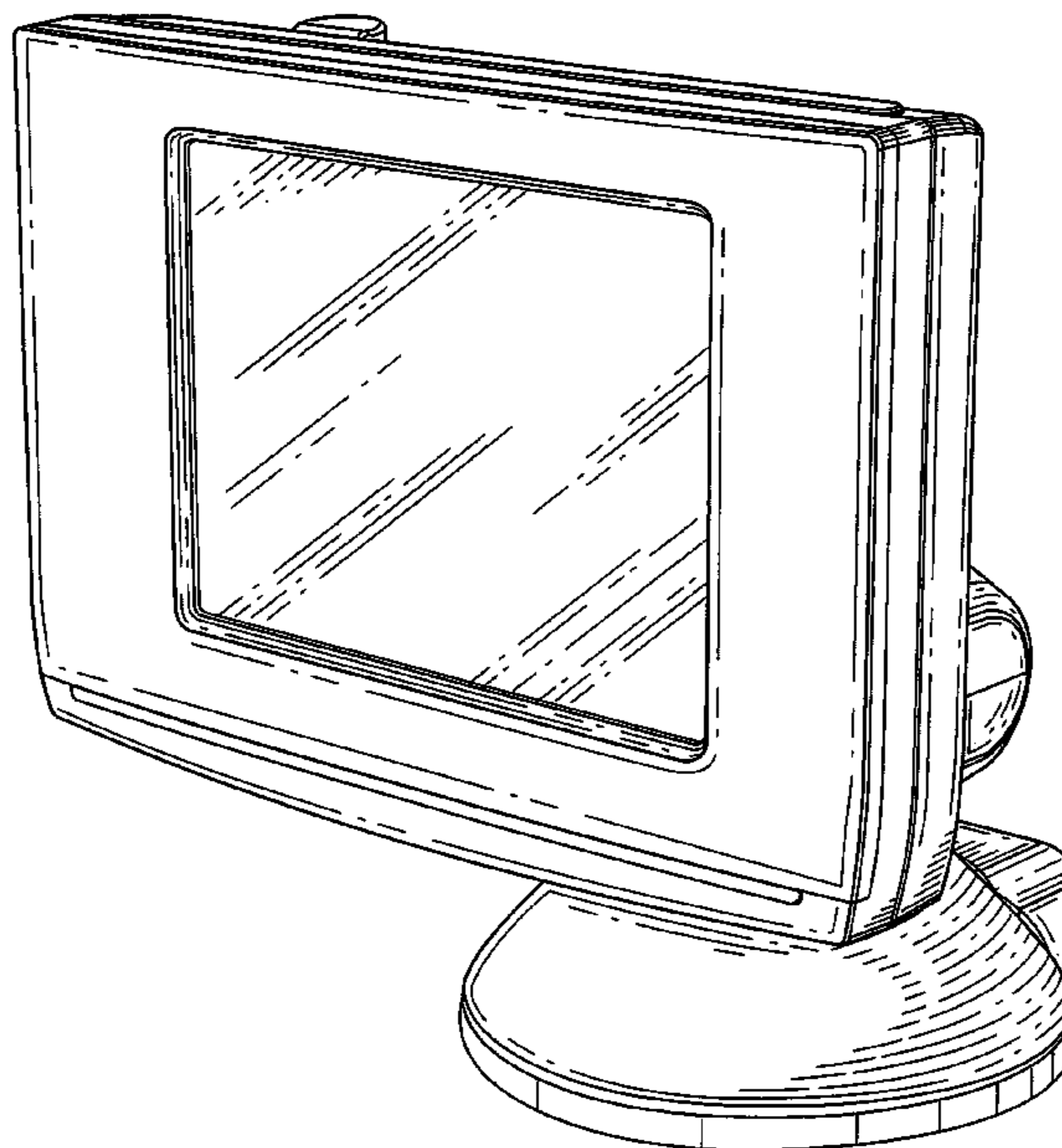
FIG. 5 is a top plan view thereof;

FIG. 6 is a bottom plan view thereof;

FIG. 7 is a left side elevational view thereof; and,

FIG. 8 is a right side elevational view thereof.

1 Claim, 8 Drawing Sheets



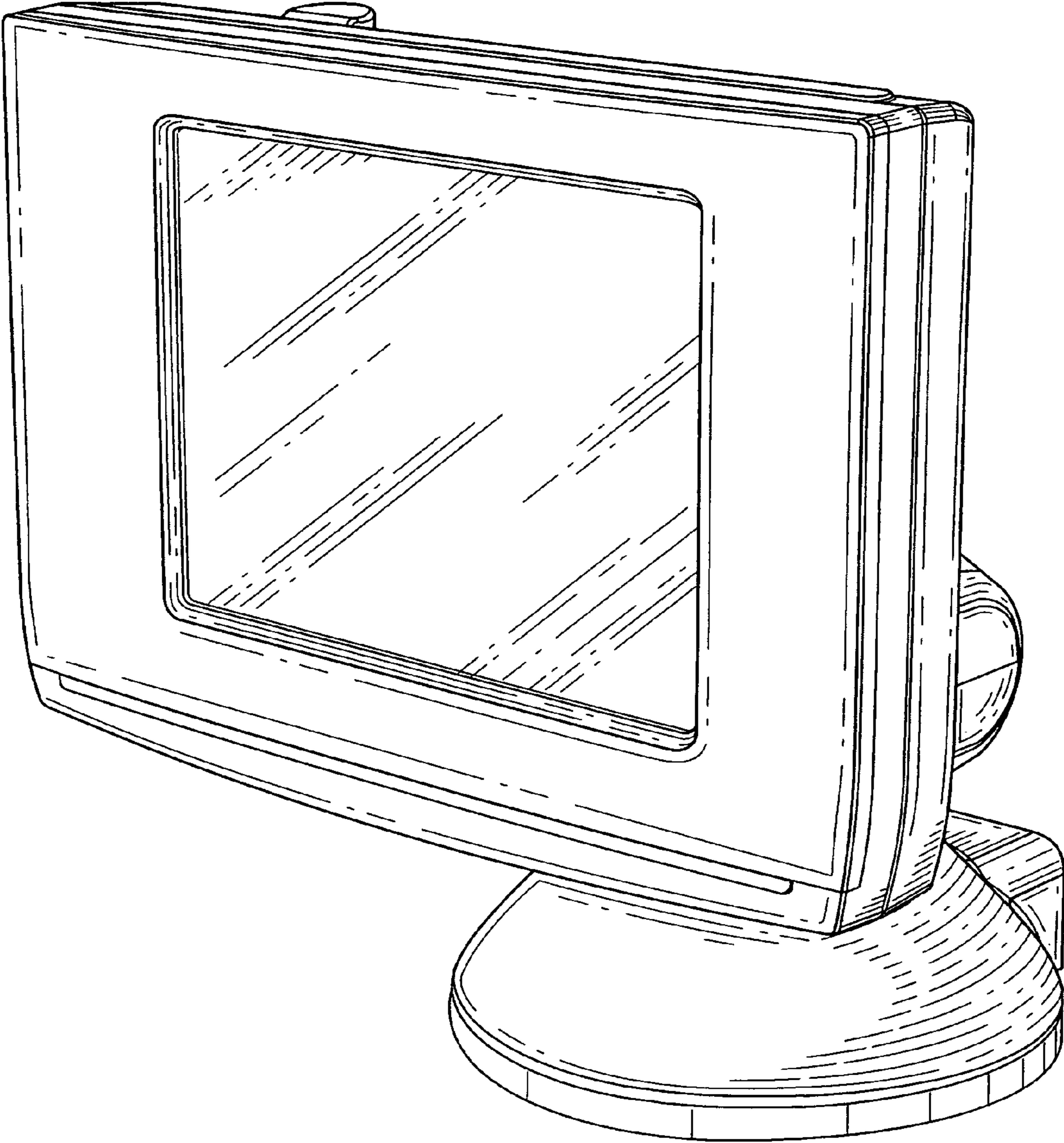


Fig. 1

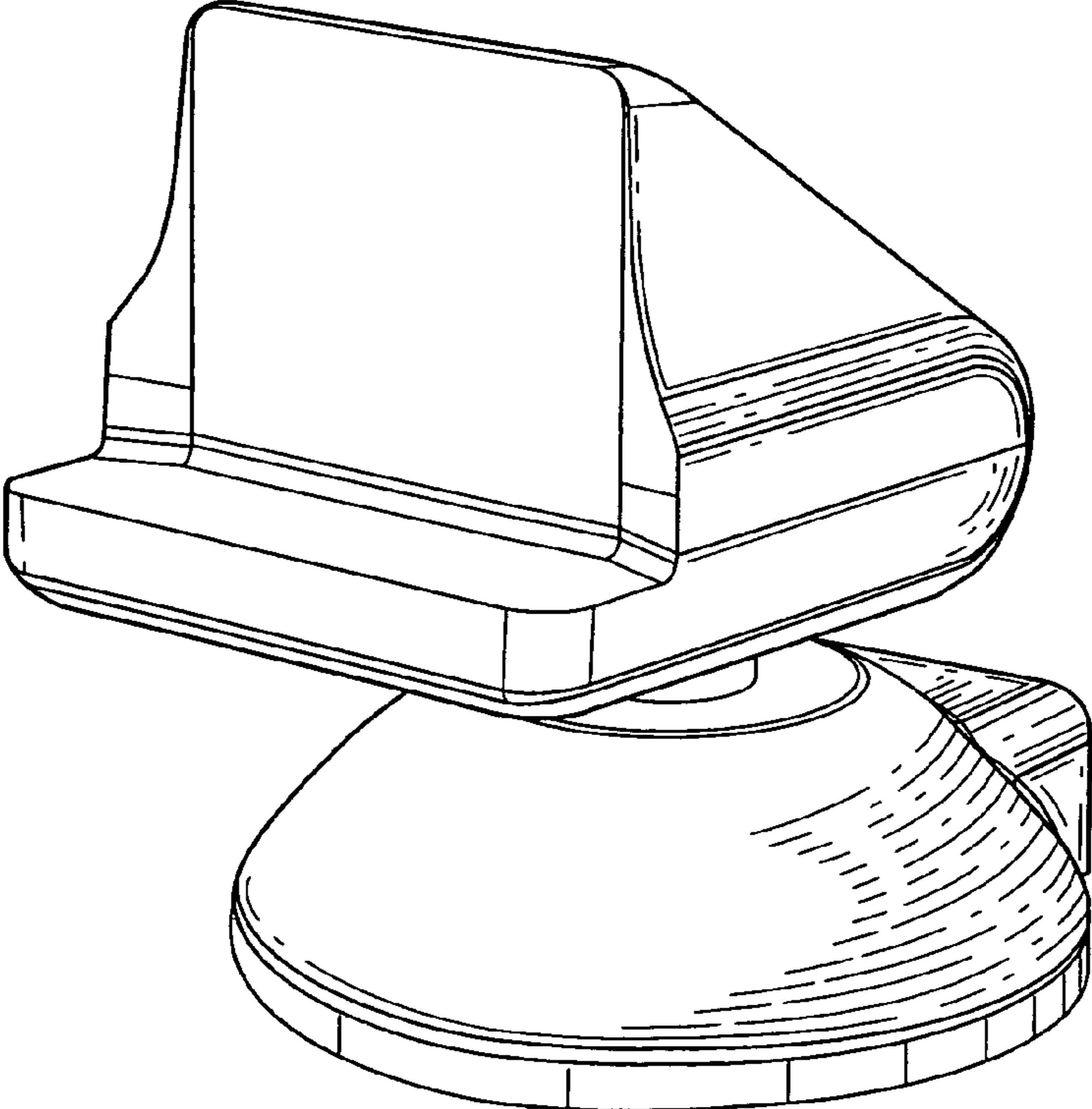
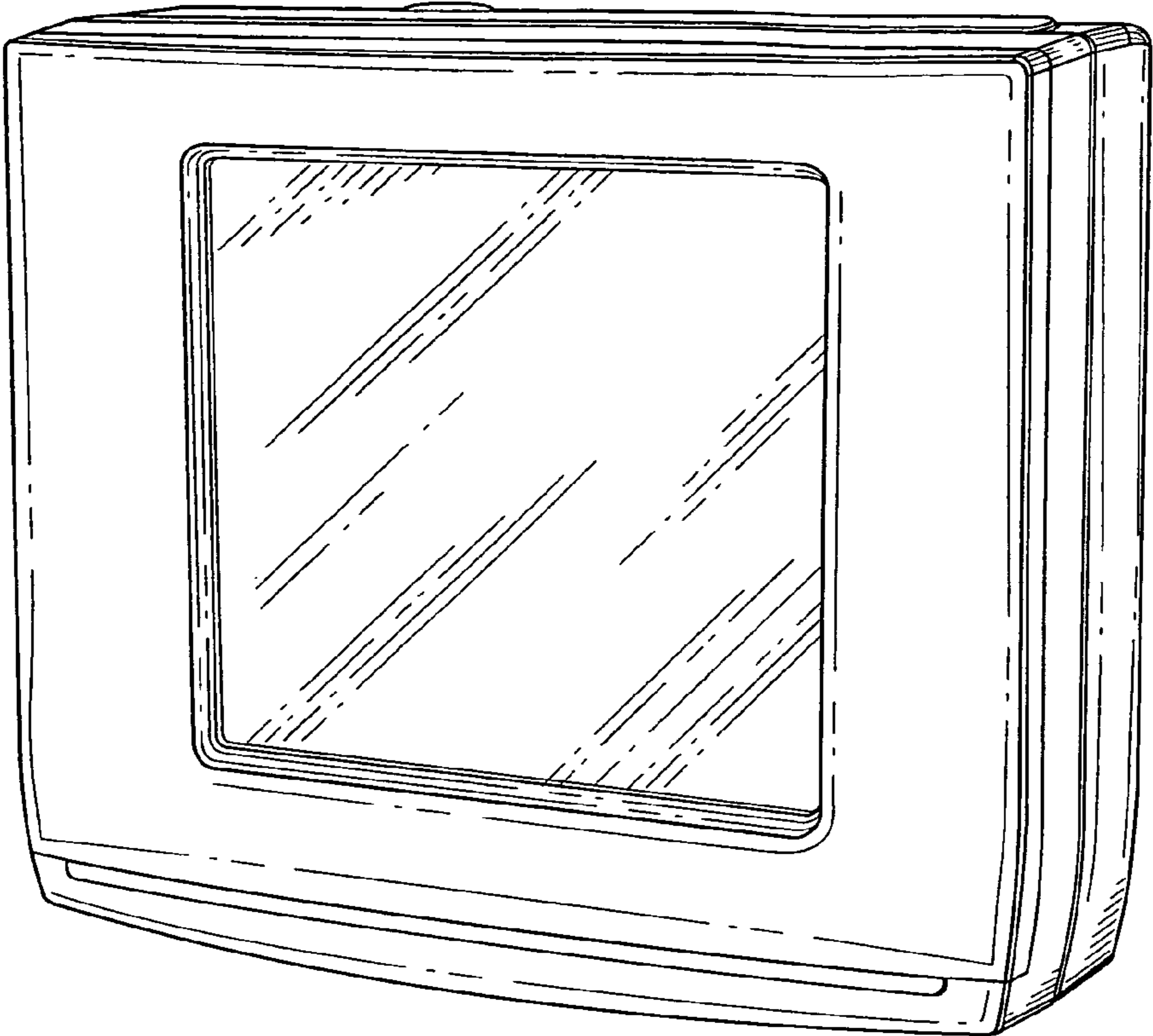


Fig. 2

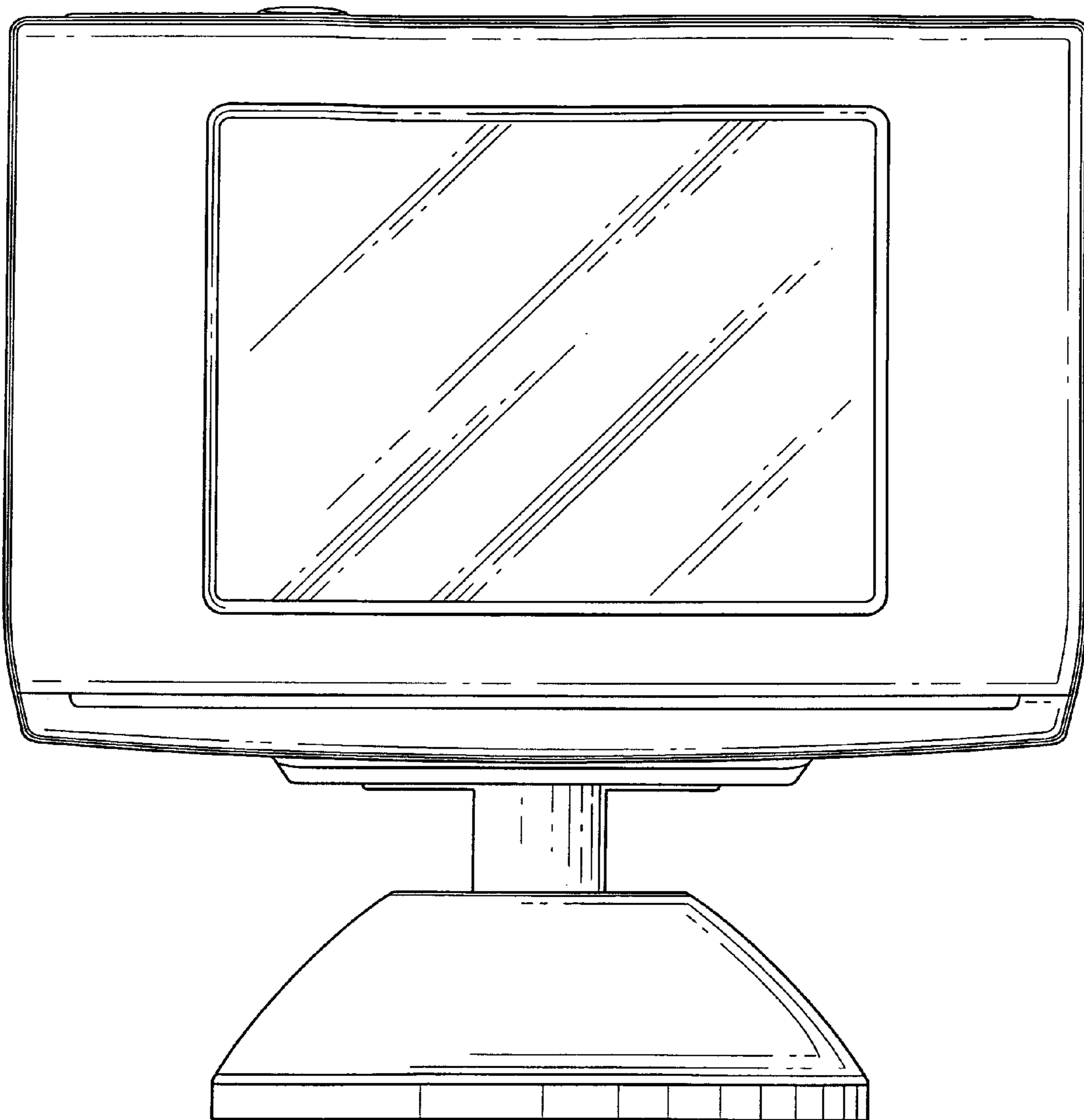


Fig. 3

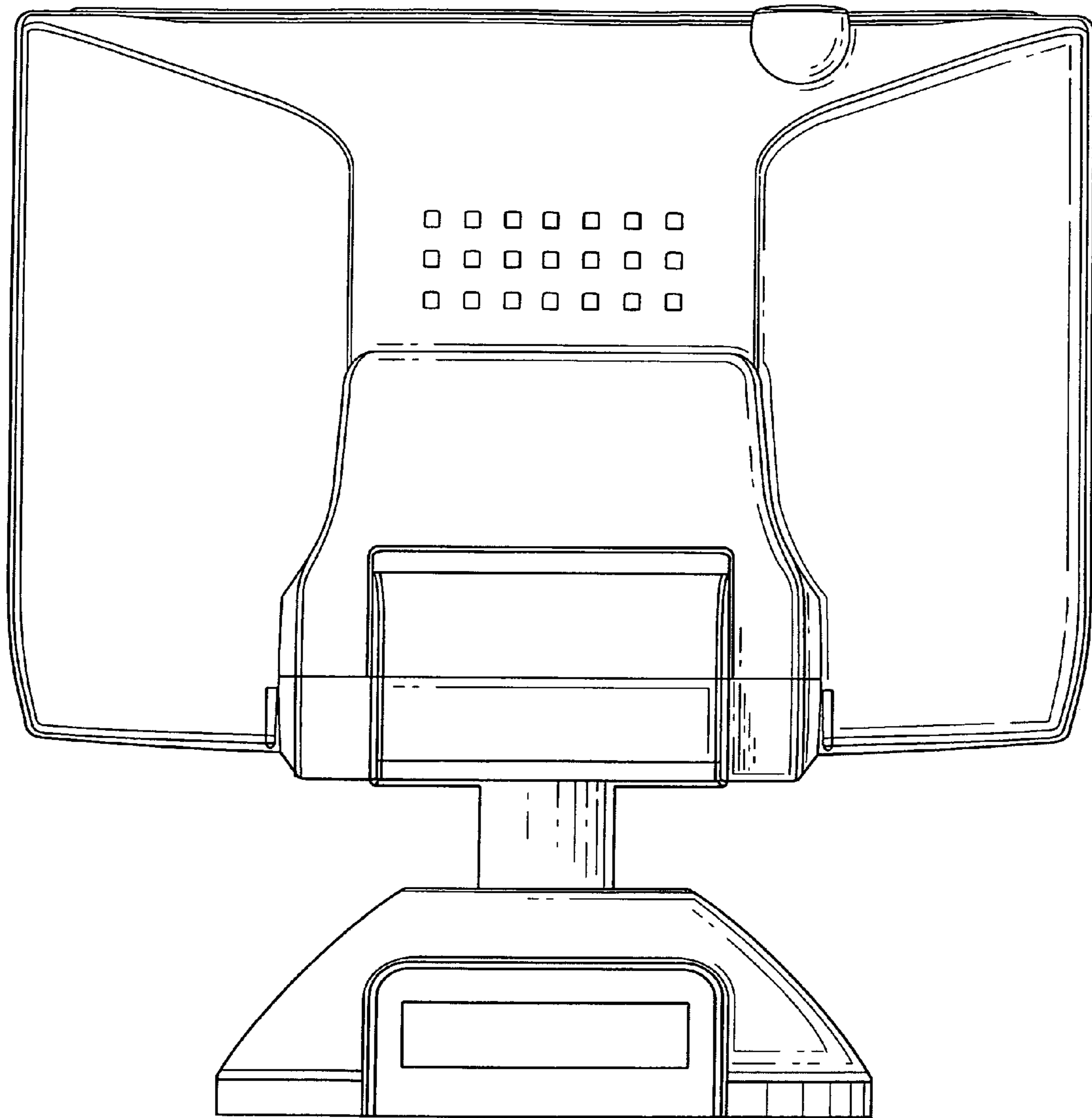


Fig. 4

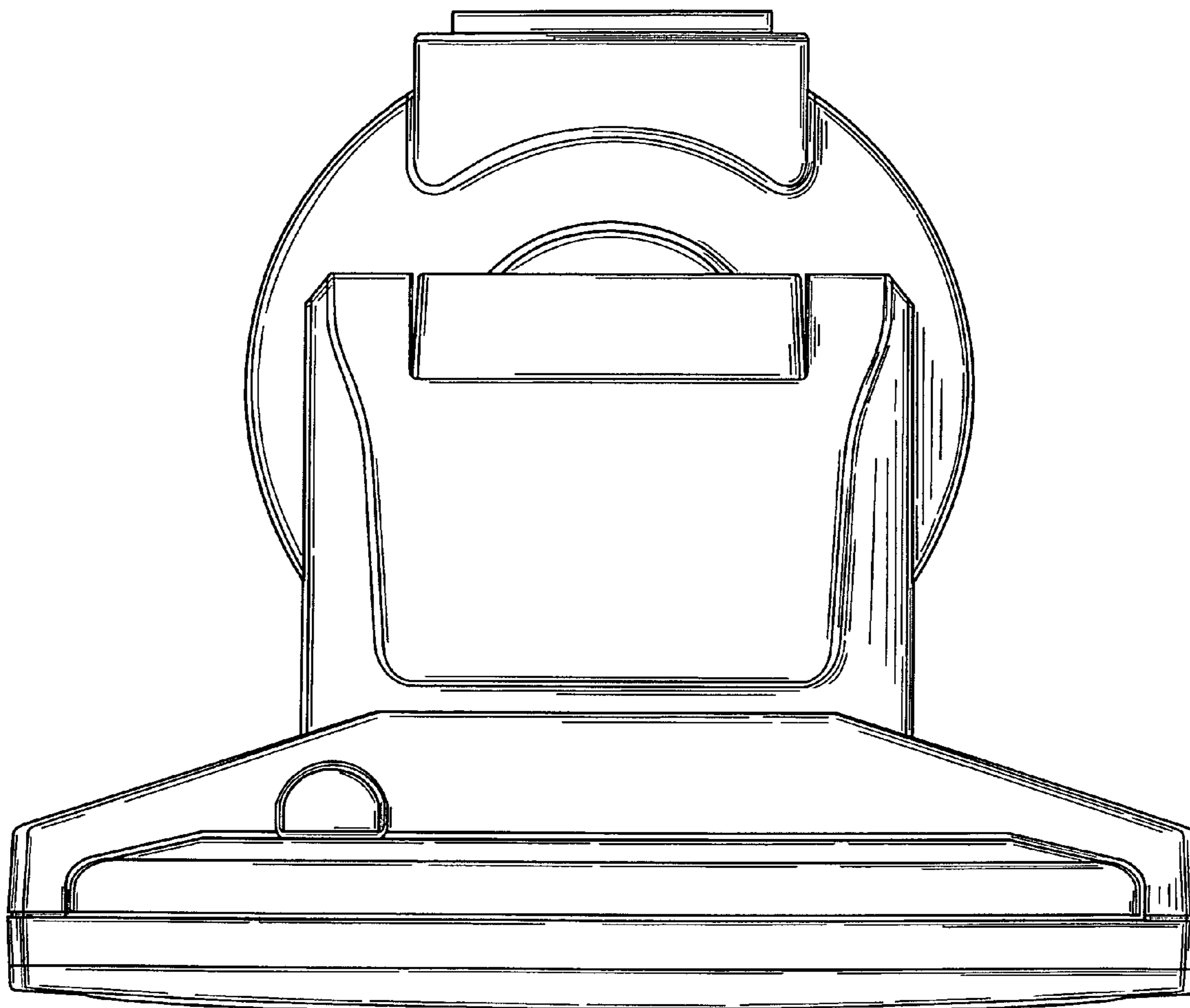


Fig. 5

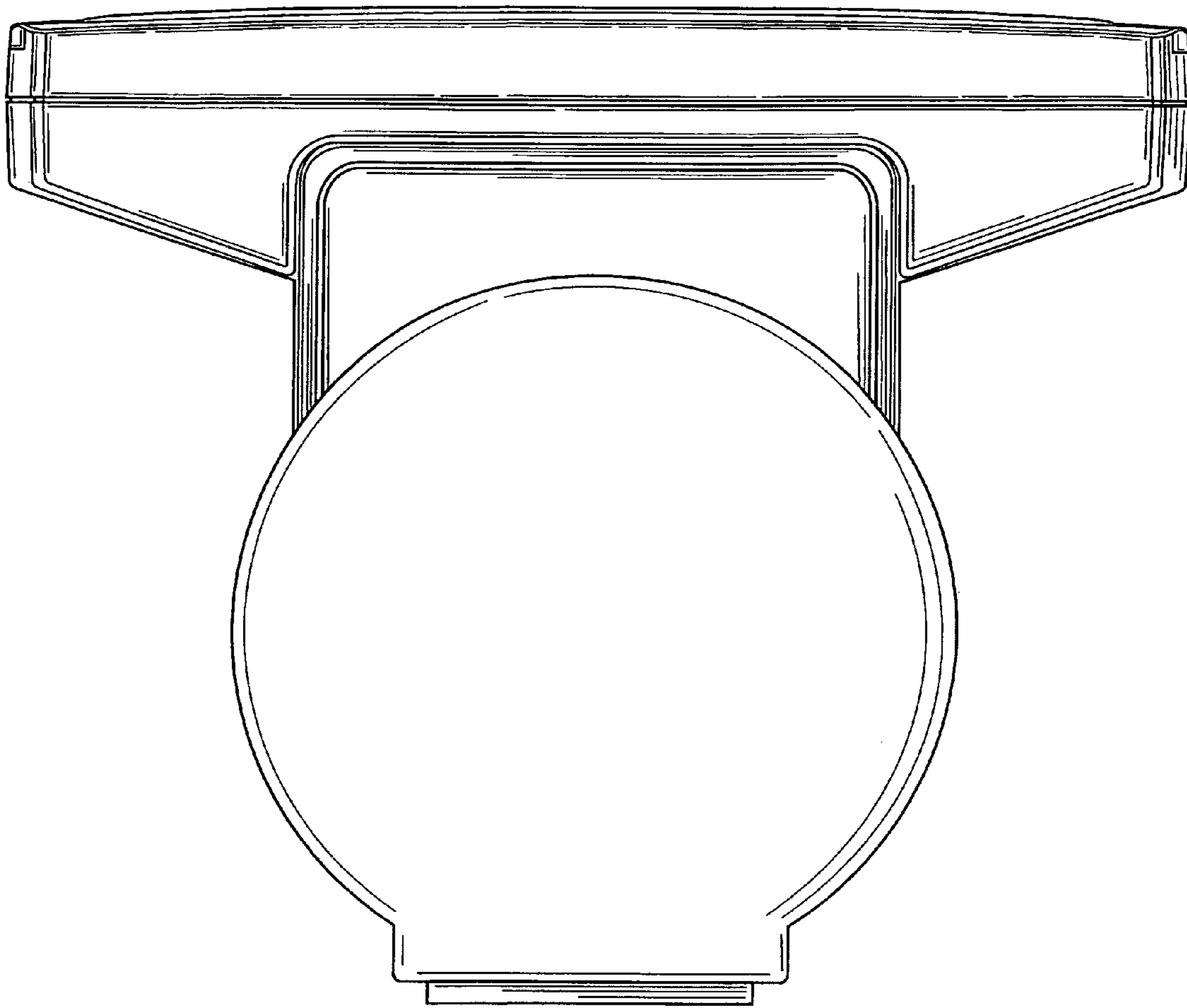


Fig. 6

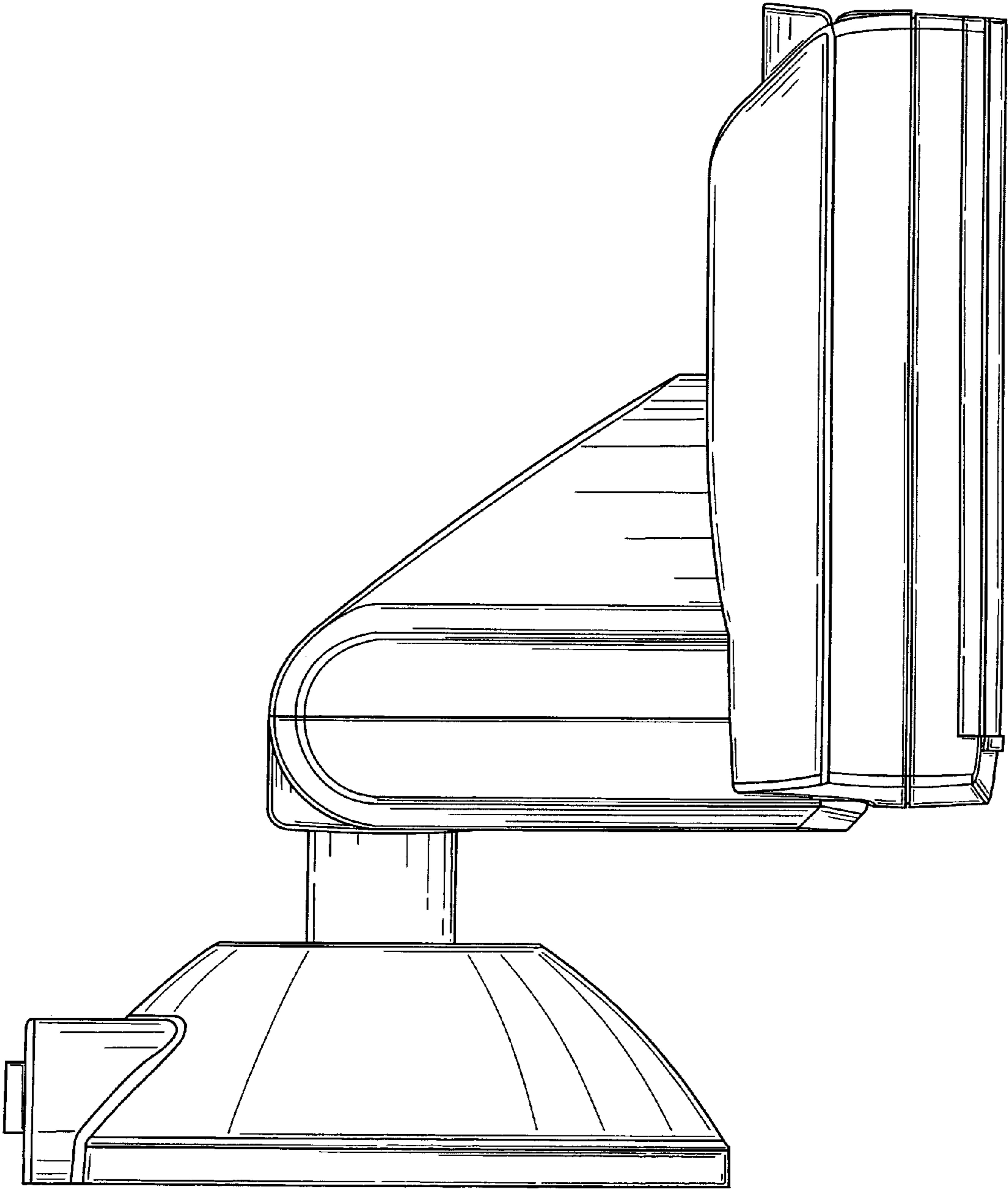


Fig. 7

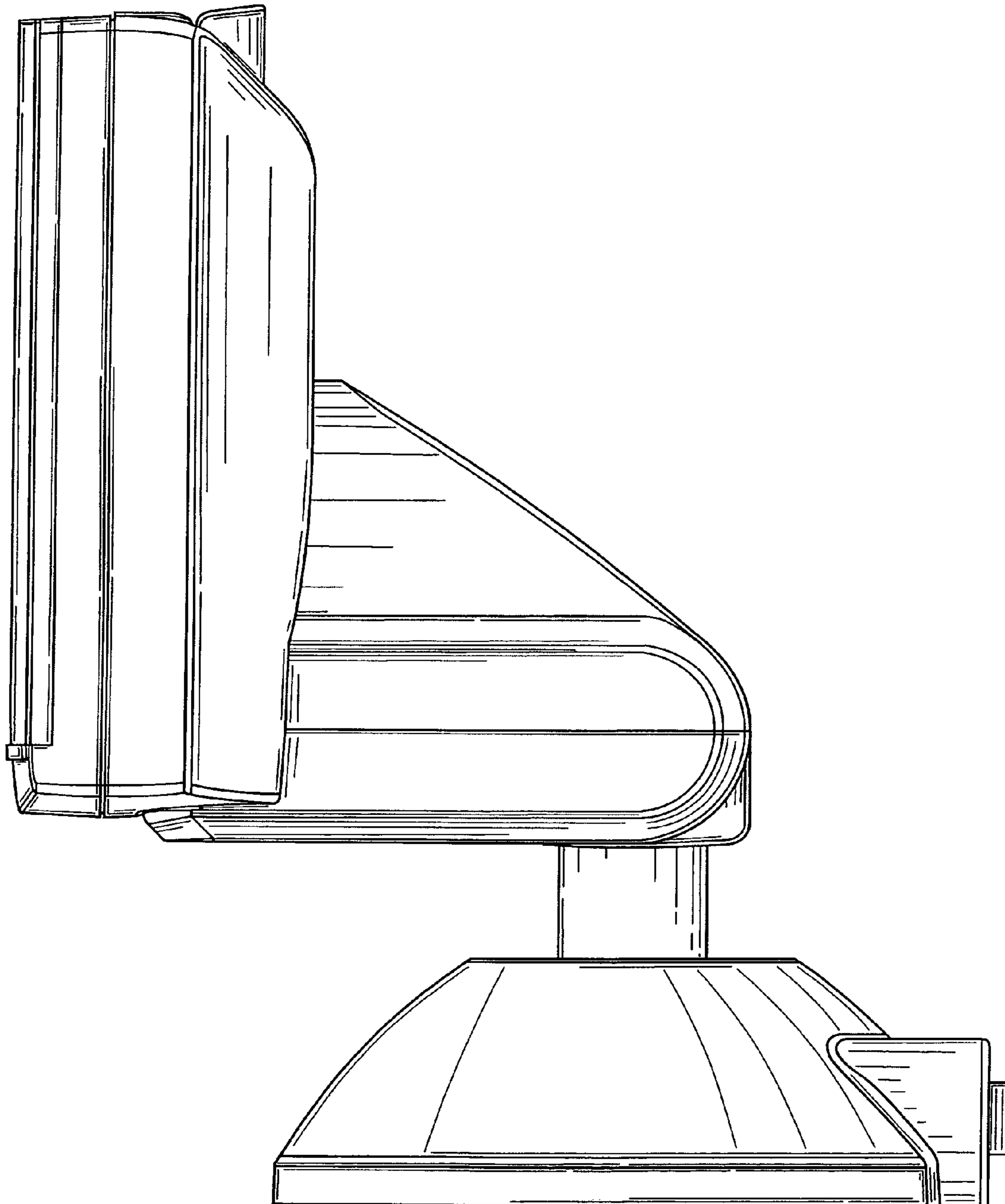


Fig. 8