

US00D593876S

(12) **United States Design Patent**
Hayden et al.

(10) **Patent No.:** **US D593,876 S**
(45) **Date of Patent:** **** *Jun. 9, 2009**

(54) **CONTAINER BODY**
(75) Inventors: **Leo Hayden**, Fox River Grove, IL (US);
Jo Stephens, Chicago, IL (US)
(73) Assignee: **Rexam Beverage Can Company**,
Chicago, IL (US)
(*) Notice: This patent is subject to a terminal dis-
claimer.
(**) Term: **14 Years**
(21) Appl. No.: **29/317,086**
(22) Filed: **Apr. 22, 2008**
(51) **LOC (9) Cl.** **09-03**
(52) **U.S. Cl.** **D9/772**
(58) **Field of Classification Search** D9/500,
D9/501, 503, 504, 763, 766, 767, 772, 776,
D9/777, 778, 779, 780; 215/253–258, 273,
215/274; 220/62.12, 254.1, 258.3, 259.3,
220/269, 288, 304, 608, 620, 634, 644, 771,
220/906

See application file for complete search history.

(56) **References Cited**
U.S. PATENT DOCUMENTS

1,443,682 A 1/1923 Gueritey
1,621,487 A 3/1927 Aulbach
2,195,257 A 3/1940 Paris
2,337,616 A 12/1943 McManus et al.
D246,229 S 11/1977 Saunders
4,058,998 A 11/1977 Franek et al.
D271,281 S * 11/1983 Abbott et al. D9/772
D271,854 S * 12/1983 Berry D9/772
4,441,354 A 4/1984 Bodega
D275,834 S * 10/1984 Slade D9/772
4,512,172 A 4/1985 Abbott et al.
4,643,330 A 2/1987 Kennedy
D290,811 S * 7/1987 Cleveland, Jr. D9/779
4,844,270 A 7/1989 Coffman
4,892,214 A 1/1990 Hamaguchi et al.
D319,580 S * 9/1991 Cassai et al. D9/772

5,052,576 A 10/1991 Budenbender
5,061,140 A 10/1991 Hamaguchi et al.
D327,218 S * 6/1992 Nickerson D9/772
5,135,124 A 8/1992 Wobser
5,190,181 A 3/1993 Budenbender
5,293,765 A 3/1994 Nussbaum-Pogacnik
5,355,710 A 10/1994 Diekhoff
5,448,903 A 9/1995 Johnson
5,497,900 A 3/1996 Caleffi et al.
D369,977 S 5/1996 Sexton, Jr.
D371,075 S * 6/1996 Stonehouse D9/772
5,557,963 A 9/1996 Diekhoff
5,572,893 A 11/1996 Goda et al.
5,605,248 A 2/1997 Jentzsch
5,660,301 A 8/1997 Kaplowitz
D384,888 S 10/1997 Diekhoff
5,704,240 A 1/1998 Jordan
5,711,447 A 1/1998 Plester
5,713,235 A 2/1998 Diekhoff
5,718,352 A 2/1998 Diekhoff et al.
5,778,723 A 7/1998 Diekhoff
5,822,843 A 10/1998 Diekhoff et al.

(Continued)

FOREIGN PATENT DOCUMENTS

BE 376464 11/1931

(Continued)

Primary Examiner—Stella M Reid
Assistant Examiner—Shanda C Hill
(74) *Attorney, Agent, or Firm*—Ungaretti & Harris LLP

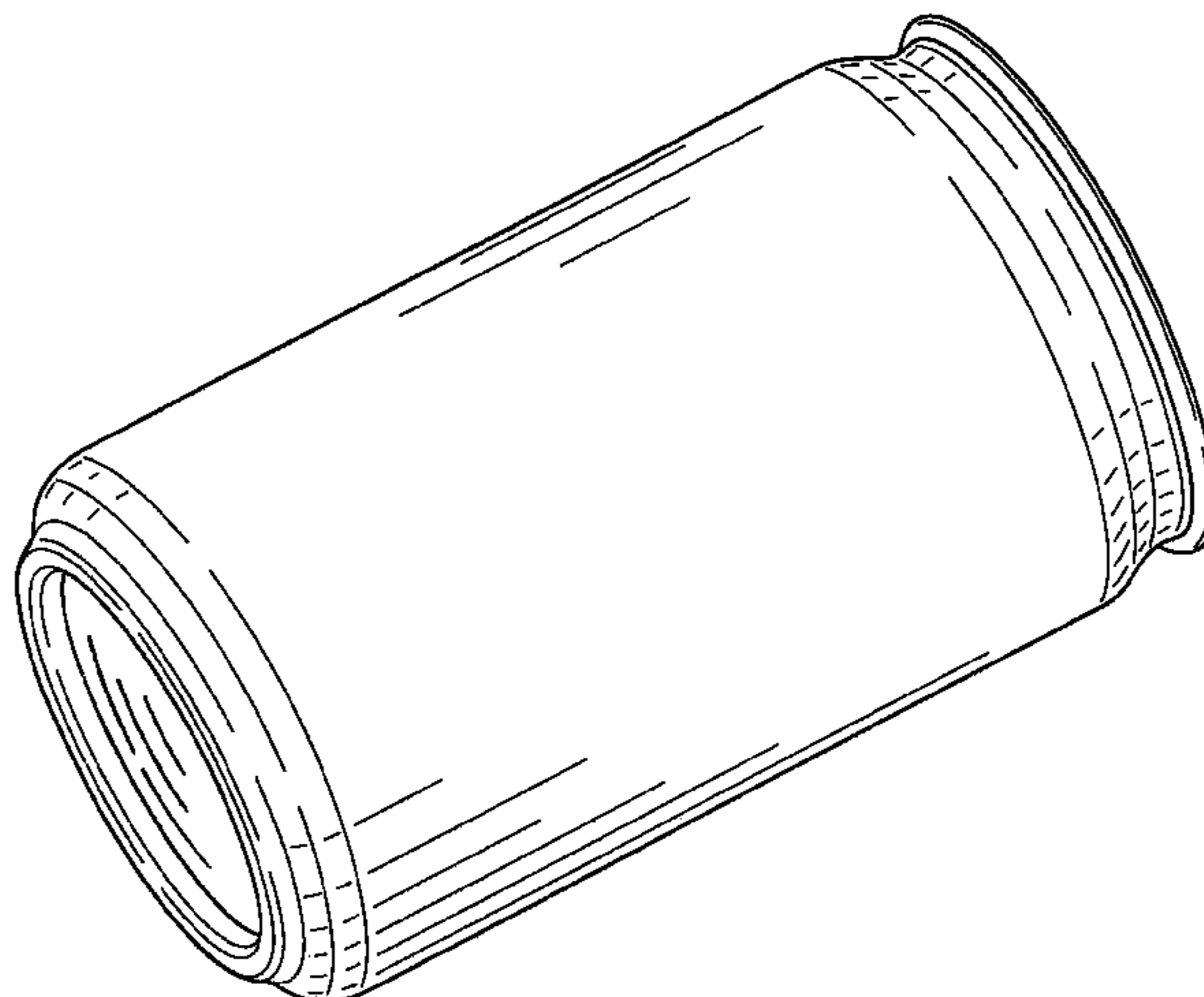
(57) **CLAIM**

We claim the ornamental design for a container body, as shown and described.

DESCRIPTION

FIG. 1 is a perspective view of the present invention;
FIG. 2 is a side view of the present invention;
FIG. 3 is a top view of the present invention; and,
FIG. 4 is a bottom view of the present invention.

1 Claim, 2 Drawing Sheets



US D593,876 S

Page 2

U.S. PATENT DOCUMENTS

5,875,909	A	3/1999	Guglielmini
5,881,907	A	3/1999	Schutz
6,010,026	A	1/2000	Diekhoff et al.
6,010,028	A	1/2000	Jordan et al.
6,082,944	A	7/2000	Bachmann et al.
6,105,807	A	8/2000	McCrossen
D432,015	S *	10/2000	Holiday D9/772
D434,323	S *	11/2000	Pattison D9/772
D437,233	S	2/2001	Gibert
6,206,222	B1	3/2001	Cudzik
D444,385	S *	7/2001	Dixon, I D9/772
D451,027	S *	11/2001	Dugrot D9/772
6,463,776	B1	10/2002	Enoki et al.
6,499,329	B1	12/2002	Enoki et al.
6,543,636	B1	4/2003	Flecheux et al.
6,761,280	B2	7/2004	Zonker et al.
6,779,677	B2	8/2004	Chupak
6,857,304	B2	2/2005	Enoki
6,907,653	B2	6/2005	Chupak
6,959,830	B1	11/2005	Kanou et al.
7,014,060	B2	3/2006	Richardson
7,069,763	B2	7/2006	Cook et al.
D549,595	S *	8/2007	Lowther et al. D9/772
D554,000	S	10/2007	Walsh
D570,228	S *	6/2008	van Dam D9/772
2001/0040167	A1	11/2001	Flecheux et al.
2005/0205575	A1	9/2005	Kobayashi et al.
2006/0011633	A1	1/2006	Cook et al.

FOREIGN PATENT DOCUMENTS

CA	678389	1/1964
DE	4439464 C1	5/1996
DE	19513886 A1	10/1996
DE	29512058 U1	12/1996
DE	19806481 A1	8/1998
DE	19722628 A1	12/1998
EP	0281543 A2	9/1988
EP	0182646 B1	3/1989
EP	0380662 A1	8/1990

EP	0510291 A1	10/1992
EP	0512131 A2	11/1992
EP	0537773 A1	4/1993
EP	0549987 A1	7/1993
EP	0581568 B1	2/1994
EP	0667299 A1	8/1995
EP	0693434 B1	1/1996
EP	0743260 A1	11/1996
EP	0864385 A2	9/1998
EP	1134046 A1	9/2001
EP	1136154 A1	9/2001
EP	1459997 A1	9/2004
EP	1468925 A1	10/2004
FR	633497	1/1928
FR	2688431 A1	9/1993
FR	2708252 A1	2/1995
GB	2330548 A	4/1999
JP	01210136	8/1989
JP	11139438	5/1999
JP	2001-90898	4/2001
JP	2002037442	2/2002
JP	2002-137032 A	5/2002
JP	2003-181577 A	7/2003
JP	2003-290854 A	10/2003
JP	2007-039095 A	2/2007
RU	59523	7/2006
WO	WO-91/11274	8/1991
WO	WO-96/15865	5/1996
WO	WO-96/16754	6/1996
WO	WO-97/42091	11/1997
WO	WO-98/06636	2/1998
WO	WO-99/18013	4/1999
WO	WO-99/32363	7/1999
WO	WO-99/32363 A	7/1999
WO	WO-99/43558	9/1999
WO	WO-99/46176	9/1999
WO	WO-99/48764	9/1999
WO	WO-01/15829 A1	3/2001
WO	WO-03/047991 A1	6/2003
WO	WO-2005/108216 A1	11/2005

* cited by examiner

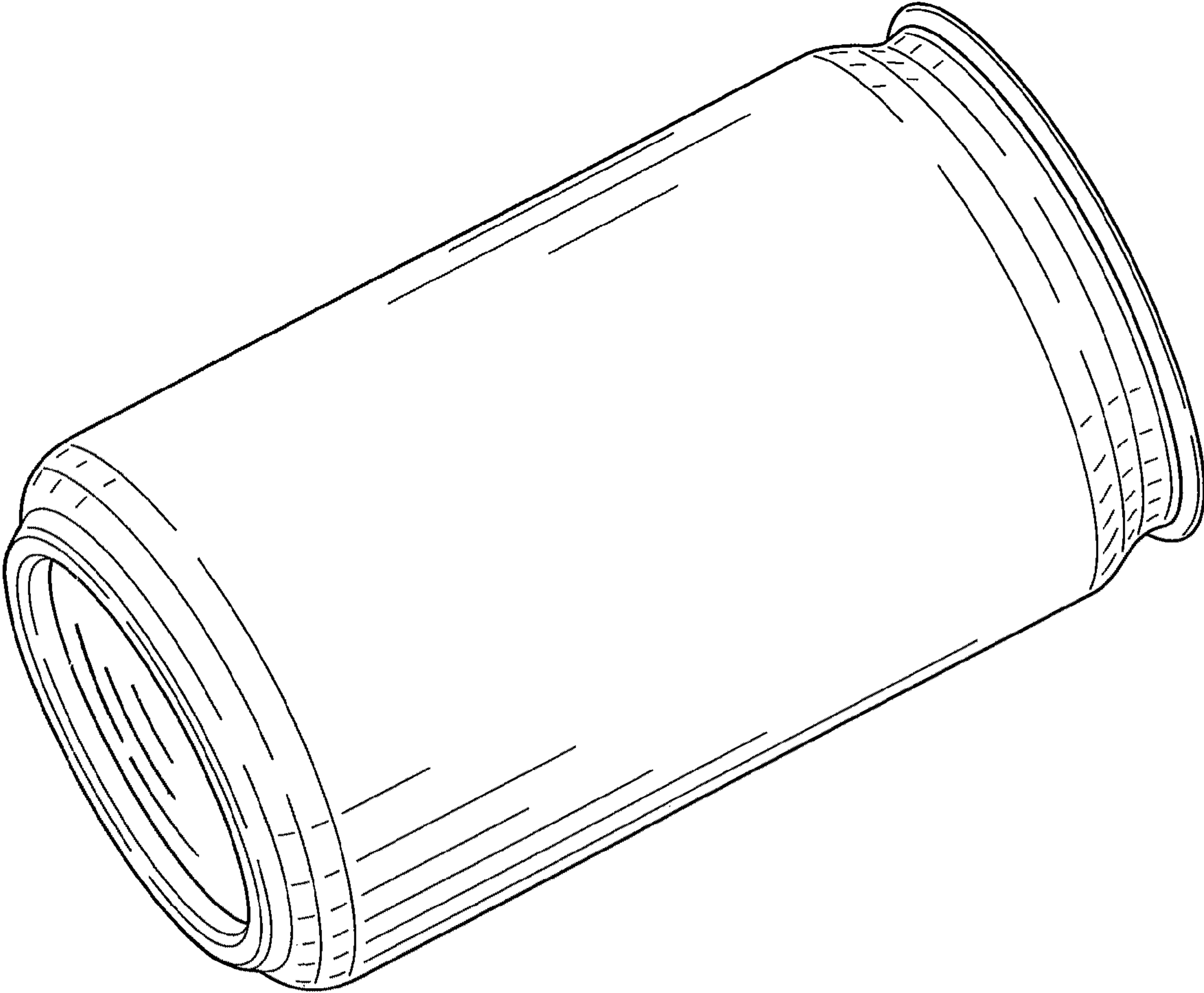


FIG. 1

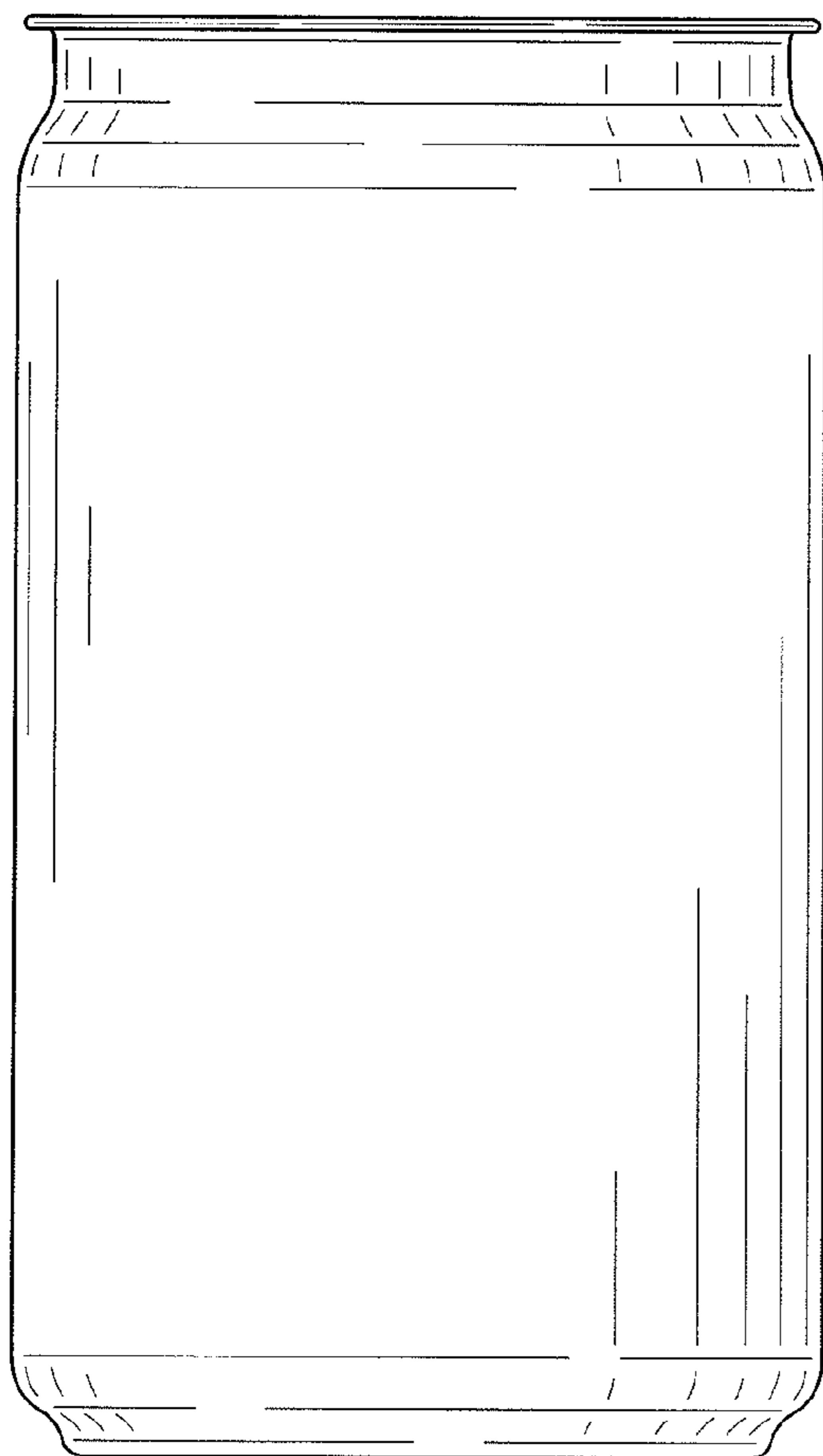


FIG. 2

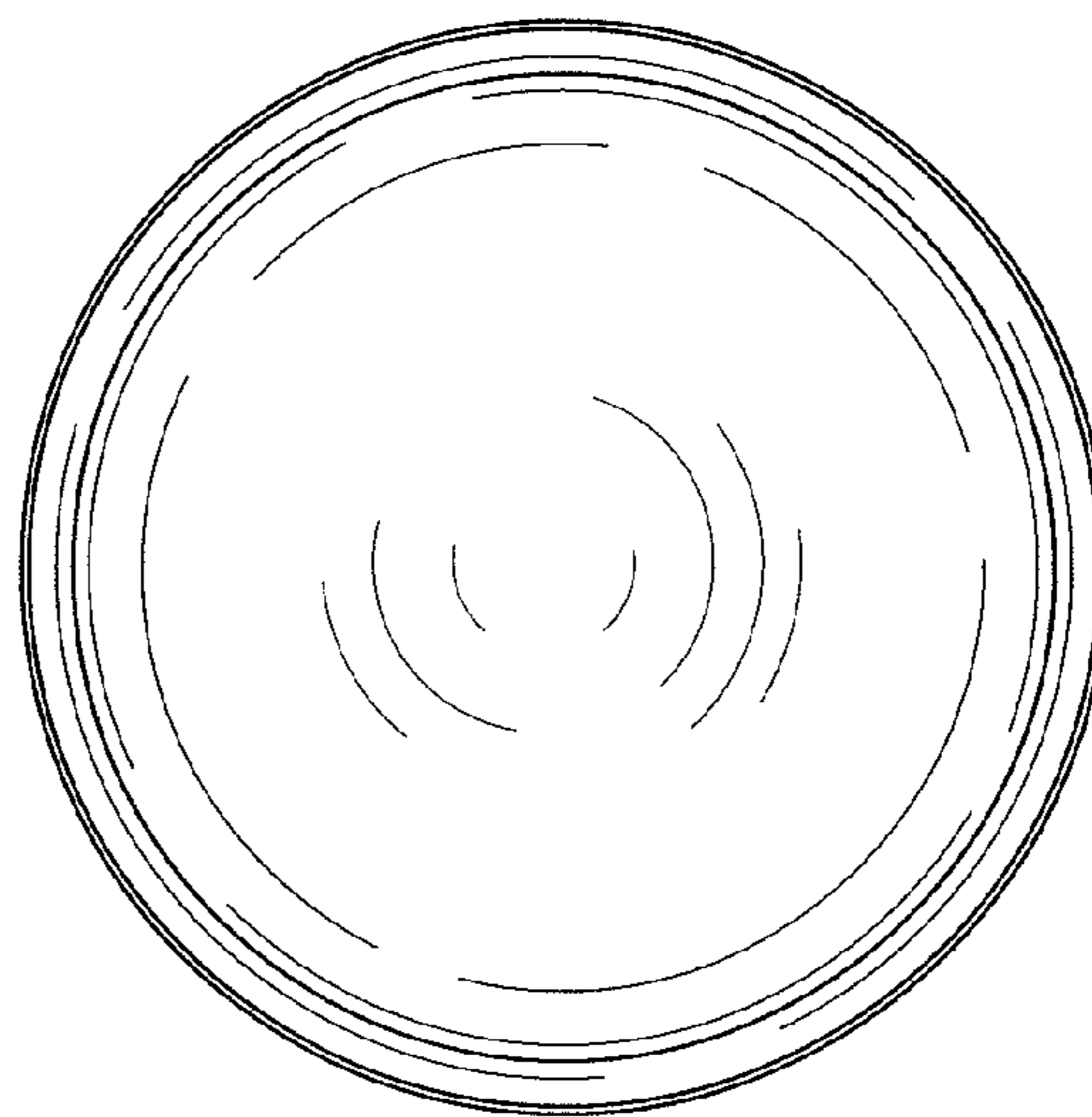


FIG. 3

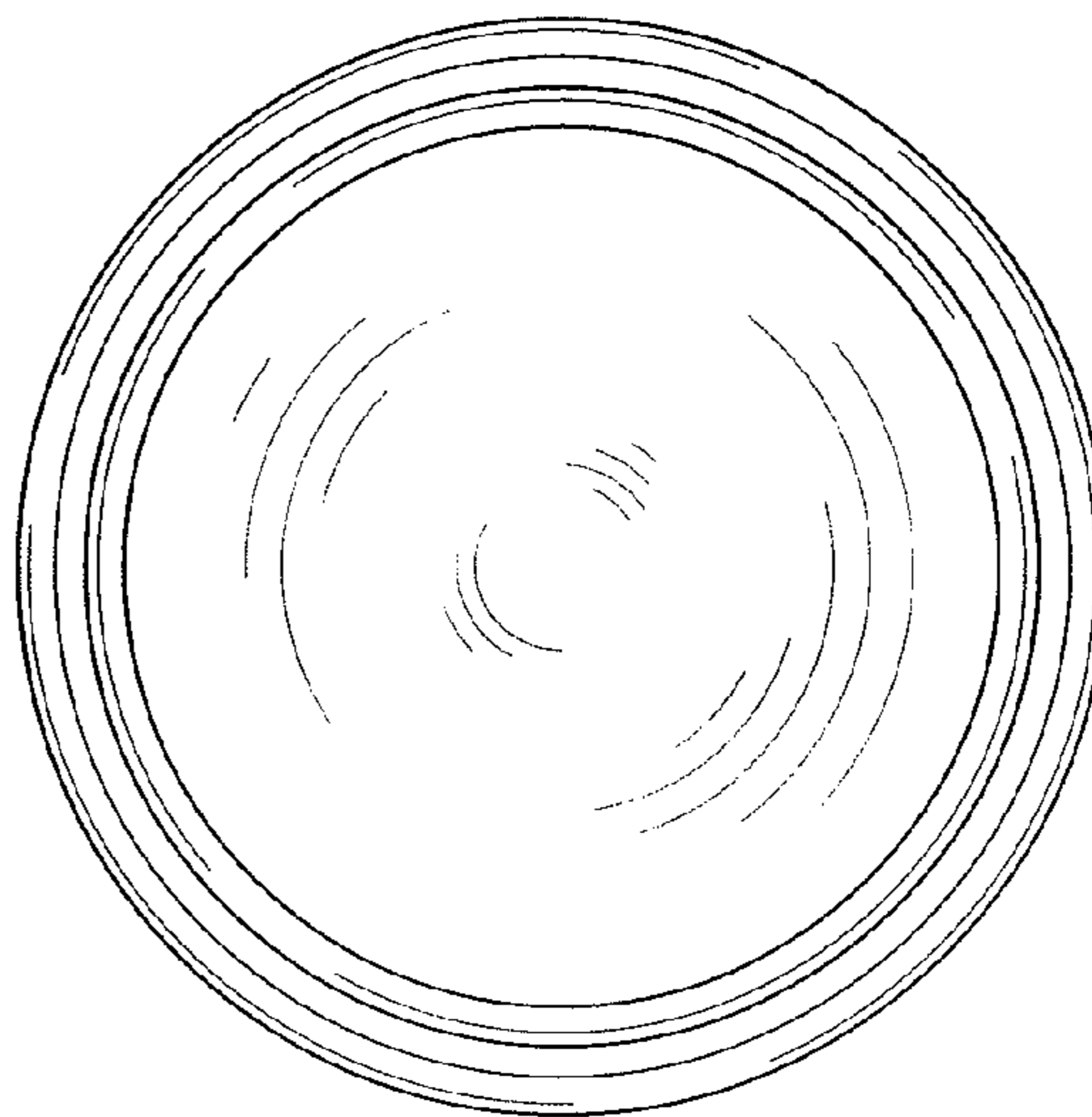


FIG. 4