



US00D593875S

(12) **United States Design Patent**  
**Gaultier**

(10) **Patent No.:** **US D593,875 S**

(45) **Date of Patent:** **\*\* \*Jun. 9, 2009**

(54) **DOUBLE FLASK**

(75) Inventor: **Jean Paul Gaultier**, Paris (FR)

(73) Assignee: **Noms de Code** (FR)

(\*\*) Term: **14 Years**

(21) Appl. No.: **29/234,083**

(22) Filed: **Jul. 13, 2005**

(30) **Foreign Application Priority Data**

Jan. 14, 2005 (FR) ..... 05 0172

(51) **LOC (9) Cl.** ..... **09-01**

(52) **U.S. Cl.** ..... **D9/743; D9/741**

(58) **Field of Classification Search** ..... D9/435,  
D9/447, 448, 449, 516, 529, 544, 520, 560,  
D9/562, 572, 573, 574, 682, 684, 686, 687,  
D9/694, 737, 738, 739, 740, 741, 743, 745;  
215/355, 379, 381-385; 220/660, 662, 669

See application file for complete search history.

(56) **References Cited**

**U.S. PATENT DOCUMENTS**

D74,233 S \* 1/1928 Lewis ..... D9/562  
D90,558 S \* 8/1933 Tricard ..... D9/560  
D152,473 S \* 1/1949 Heim ..... D9/607  
D217,659 S \* 5/1970 Dinand ..... D9/574  
D230,828 S \* 3/1974 Jeruchim ..... D9/529  
D269,067 S \* 5/1983 Ballereaud ..... D9/560  
D290,434 S \* 6/1987 Brown ..... D6/544  
D292,266 S \* 10/1987 Vanlanen et al. .... D9/739  
D292,373 S \* 10/1987 Costa ..... D9/740  
D317,717 S \* 6/1991 Carol ..... D9/739

D319,970 S \* 9/1991 Beeman ..... D9/741  
D327,639 S \* 7/1992 Burnsed ..... D9/740  
D356,494 S \* 3/1995 Eke et al. .... D9/684  
D364,348 S \* 11/1995 Sgariboldi ..... D9/544  
D475,296 S \* 6/2003 Lee ..... D9/739  
D511,688 S \* 11/2005 Baron ..... D9/560  
D532,699 S \* 11/2006 Mouquet ..... D9/694  
D537,728 S \* 3/2007 De Monclin ..... D9/573  
D543,867 S \* 6/2007 Yourist ..... D9/739

\* cited by examiner

*Primary Examiner*—Stella M Reid

*Assistant Examiner*—Elizabeth J Oswecki

(74) *Attorney, Agent, or Firm*—Hiscock & Barclay, LLP

(57) **CLAIM**

I claim the ornamental design for a double flask, as shown and described.

**DESCRIPTION**

FIG. 1 is a front perspective view of a double flask showing my new design, the rear perspective view rotated 180 degrees being a mirror image thereof;

FIG. 2 is a right side elevation view thereof; the left side elevation view being a mirror image thereof;

FIG. 3 is a top plan view thereof; and,

FIG. 4 is a bottom plan view thereof.

The double flask in which my design is embodied can comprise a pair of the flasks shown in my copending design patent application Ser. No. 29/234,728 filed Jul. 13, 2005, the entire disclosure of which is hereby incorporated herein by this reference thereto.

**1 Claim, 2 Drawing Sheets**

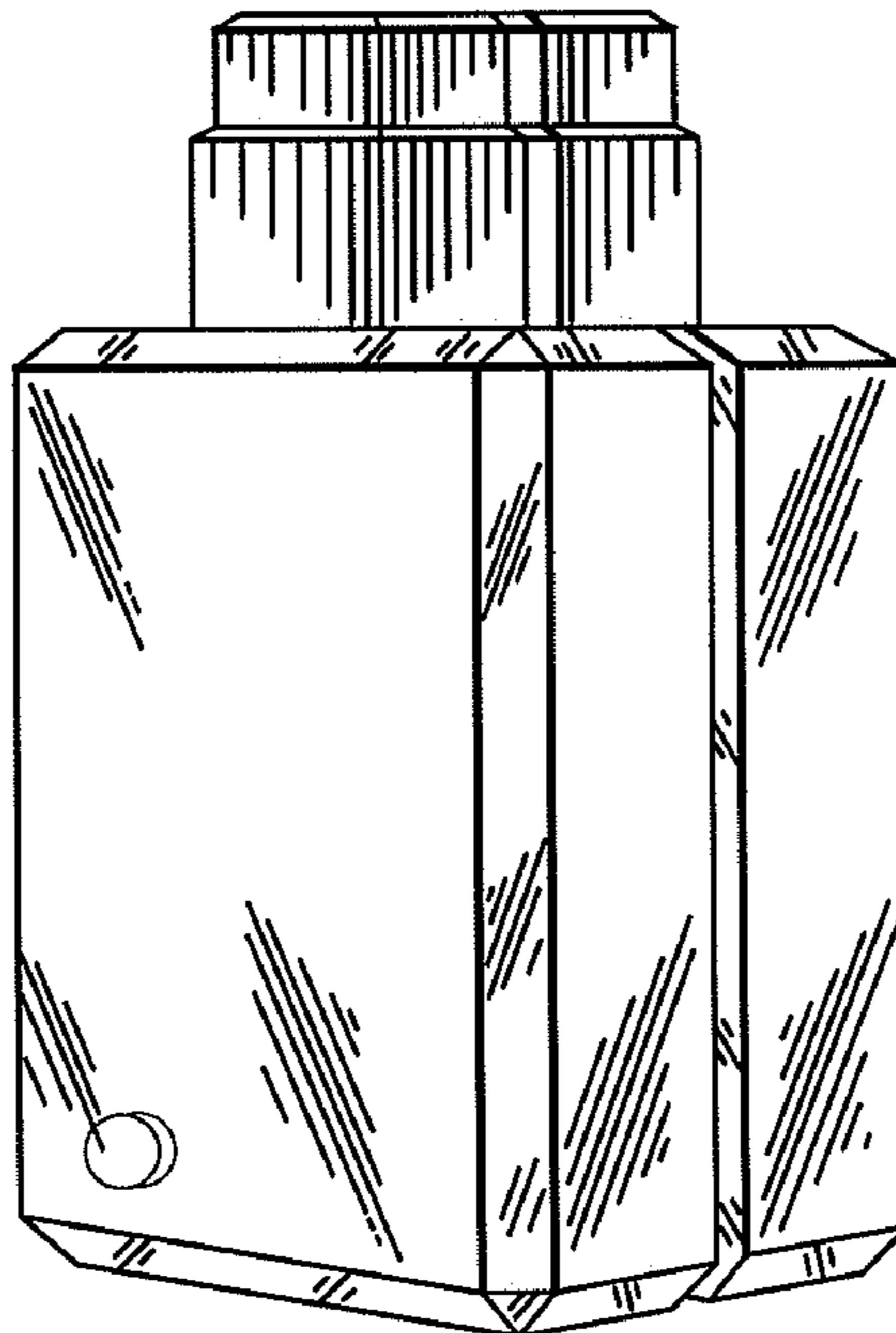


FIG. 1

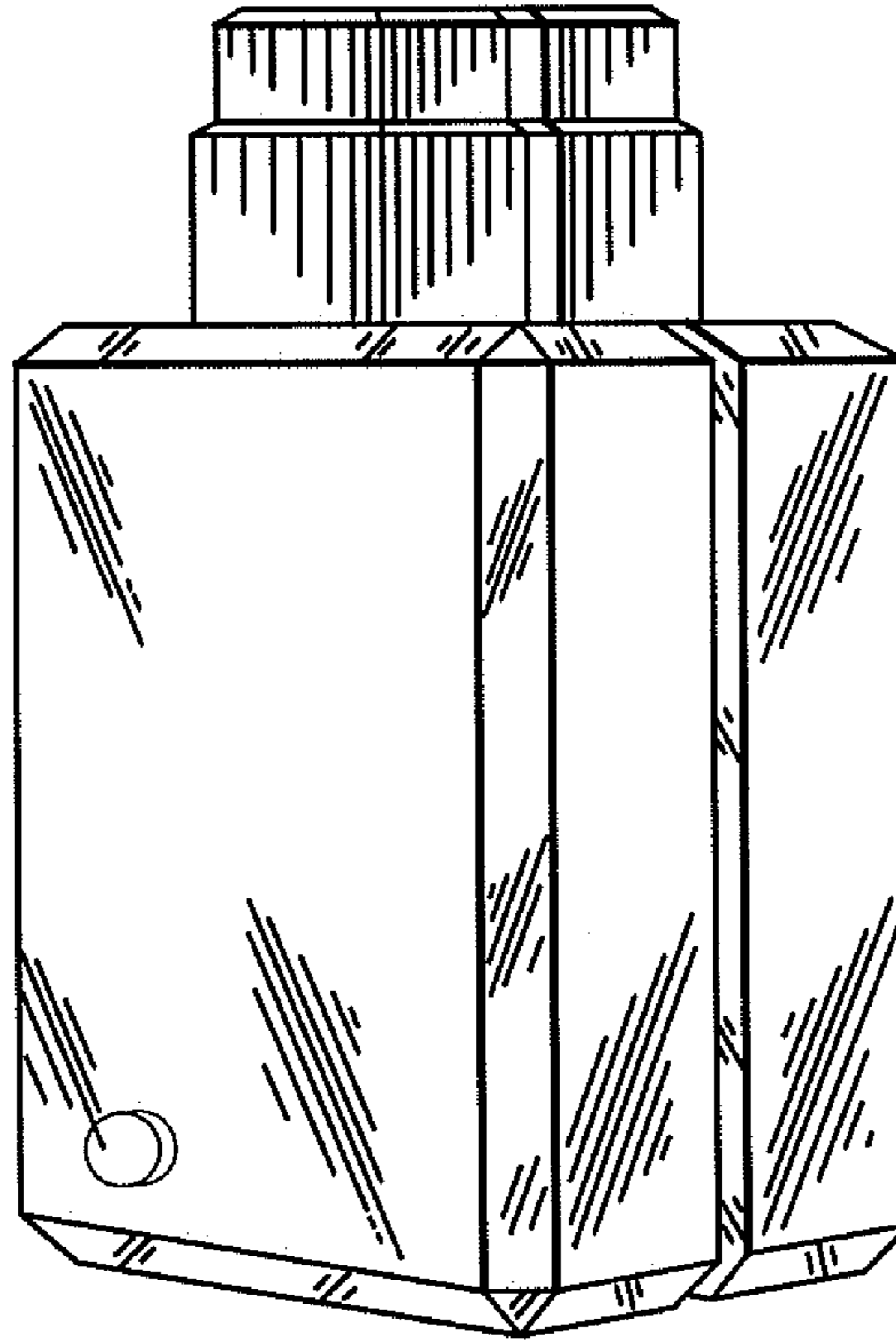


FIG. 3

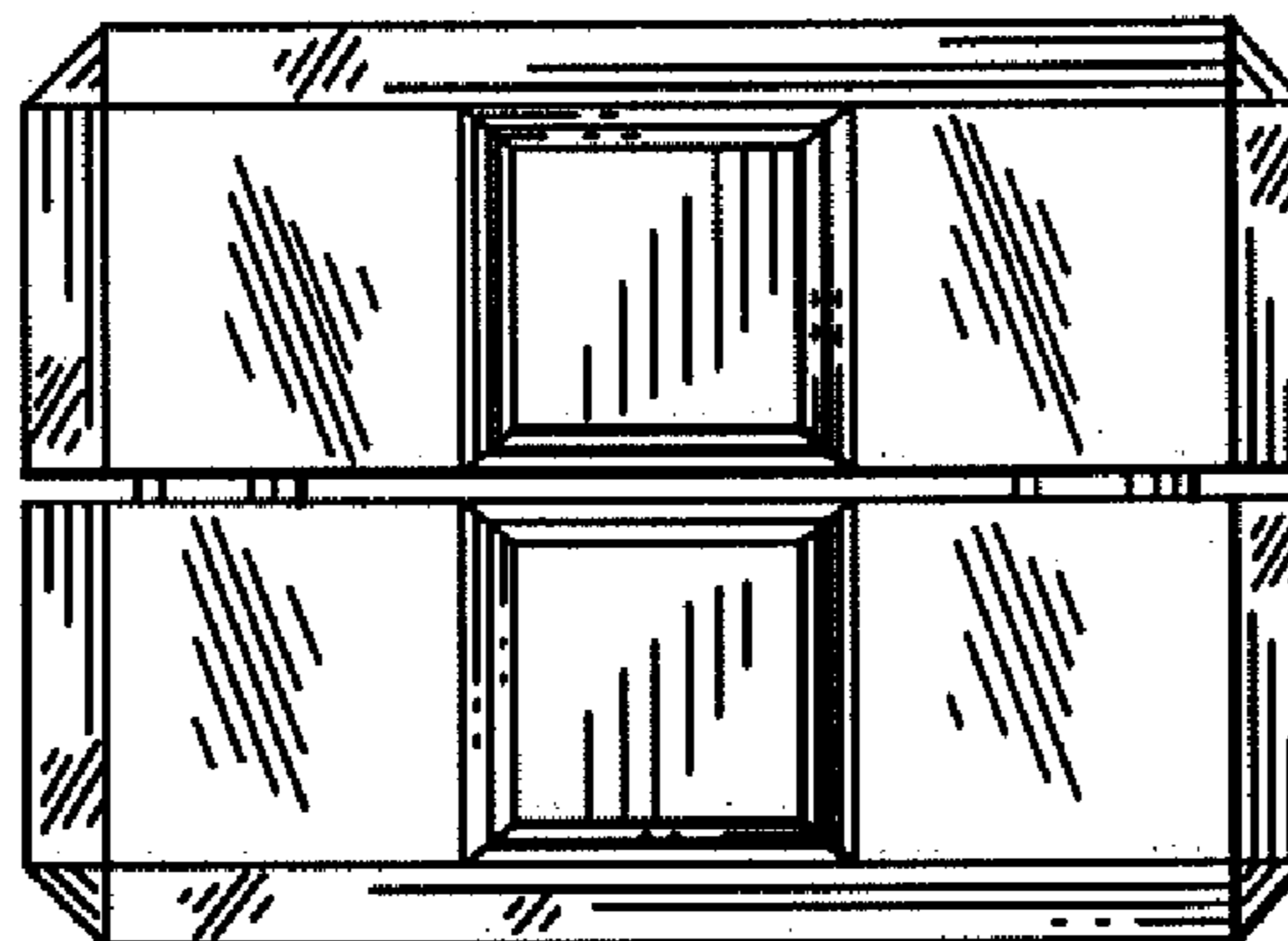


FIG.2

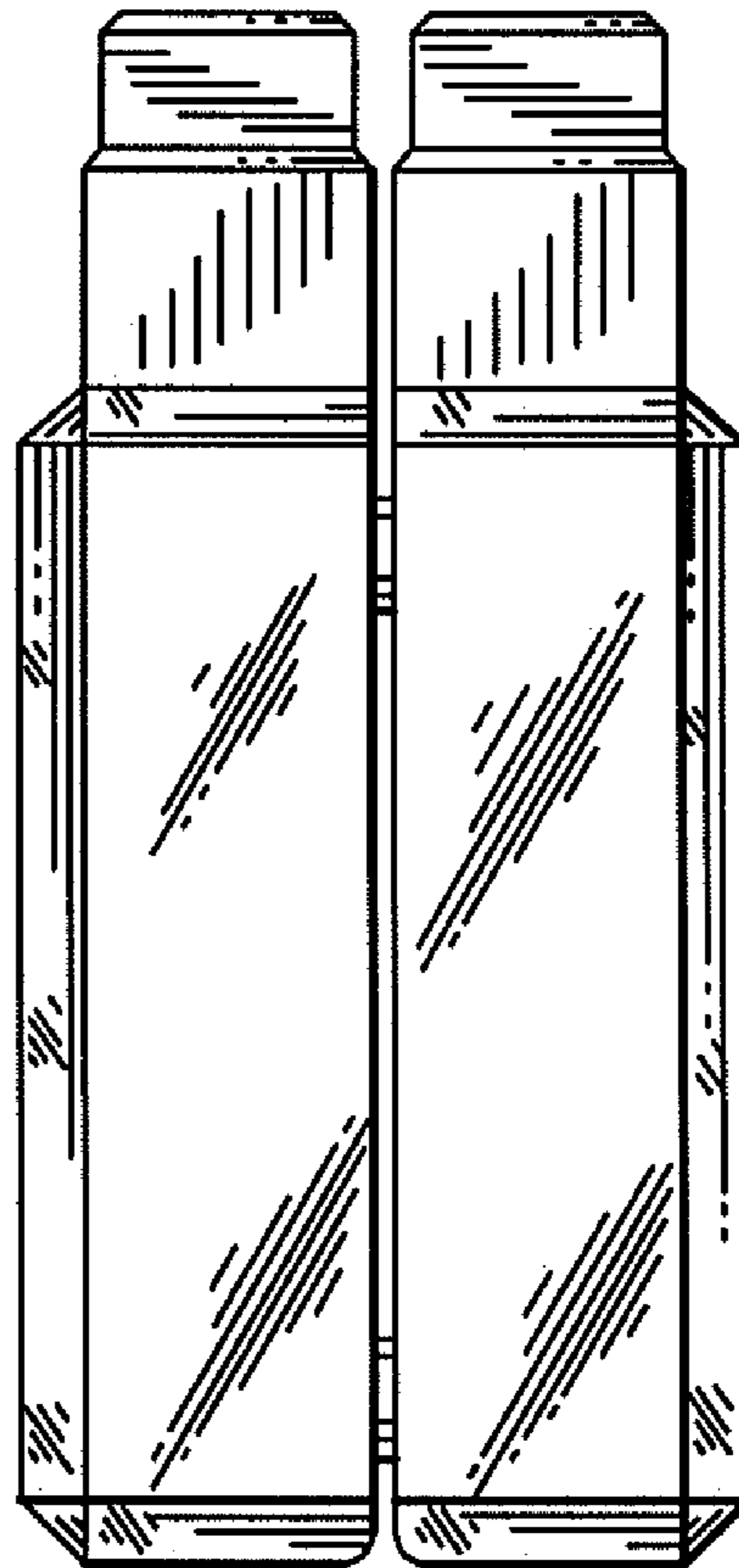


FIG.4

