



US00D593874S

(12) **United States Design Patent**
Nichols

(10) **Patent No.:** **US D593,874 S**
(45) **Date of Patent:** **** Jun. 9, 2009**

(54) **MINERAL CHEEK POWDER DISPENSER**

(75) Inventor: **Susanne Adele Nichols**, Hong Kong
(HK)

(73) Assignee: **International Cosmetic Suppliers Ltd.**,
Hong Kong (CN)

(**) Term: **14 Years**

(21) Appl. No.: **29/293,944**

(22) Filed: **Dec. 19, 2007**

(51) **LOC (9) Cl.** **09-01**

(52) **U.S. Cl.** **D9/723**

(58) **Field of Classification Search** D9/723-730,
D9/529, 545, 551, 558, 434-436, 516, 544,
D9/564, 682, 686, 687, 694, 715, 718, 900,
D9/573; D28/4, 7, 76; 401/200; 220/660-662,
220/669, 675; 206/527

See application file for complete search history.

(56) **References Cited**

U.S. PATENT DOCUMENTS

D240,711 S * 7/1976 Angelman et al. D9/726
D243,585 S * 3/1977 Angleman et al. D9/726
D278,121 S * 3/1985 Sussman D9/504
D342,021 S * 12/1993 Porta D9/727
D344,017 S * 2/1994 Lang et al. D9/727
D419,075 S * 1/2000 Gavin D9/529

D426,466 S * 6/2000 Nevins et al. D9/529
D438,120 S * 2/2001 Flurer et al. D9/558
D440,015 S * 4/2001 Lerolle D28/76
D484,794 S * 1/2004 Geardino et al. D9/726
D498,676 S * 11/2004 Crawford D9/522
D562,151 S * 2/2008 Larocca et al. D9/723
D578,894 S * 10/2008 Seum et al. D9/529
D582,278 S * 12/2008 Bourne D9/504
2006/0127164 A1 * 6/2006 Dieudonat et al. 401/200
2006/0130869 A1 * 6/2006 King 132/298

* cited by examiner

Primary Examiner—Stella M Reid

Assistant Examiner—Mark A Goodwin

(74) *Attorney, Agent, or Firm*—Holland & Knight LLP

(57) **CLAIM**

The ornamental design for mineral cheek powder dispenser,
as shown and described.

DESCRIPTION

FIG. 1 is front view of a mineral cheek powder dispenser
showing our new design;

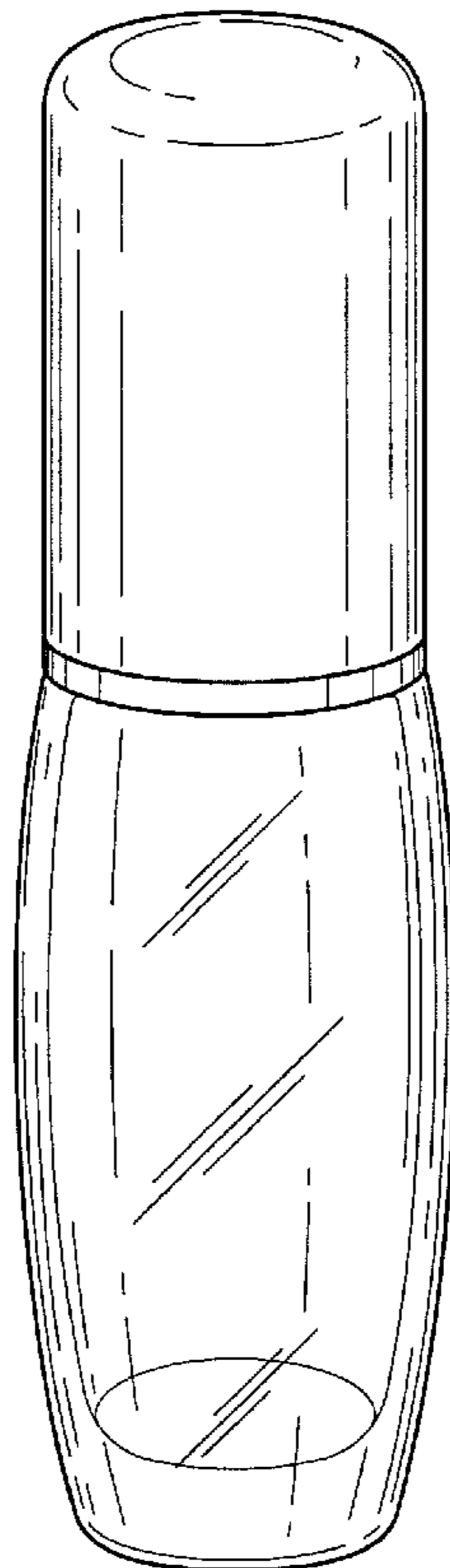
FIG. 2 is a back view thereof;

FIG. 3 is a top view thereof;

FIG. 4 is a bottom view thereof; and,

FIG. 5 is an exploded isometric view thereof.

1 Claim, 4 Drawing Sheets



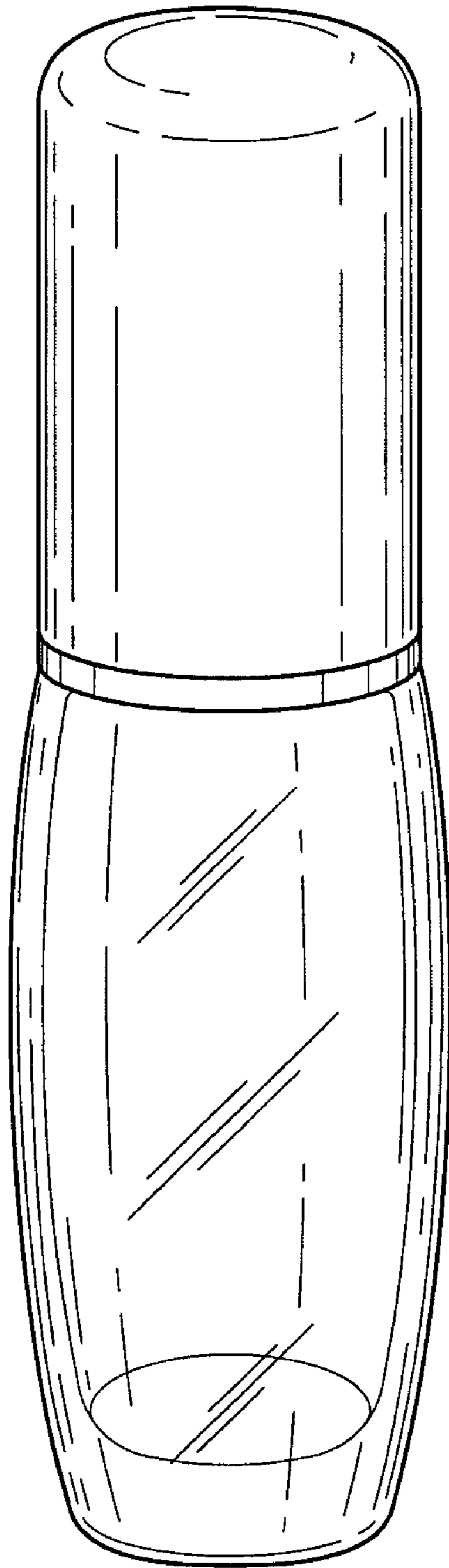


FIG. 1

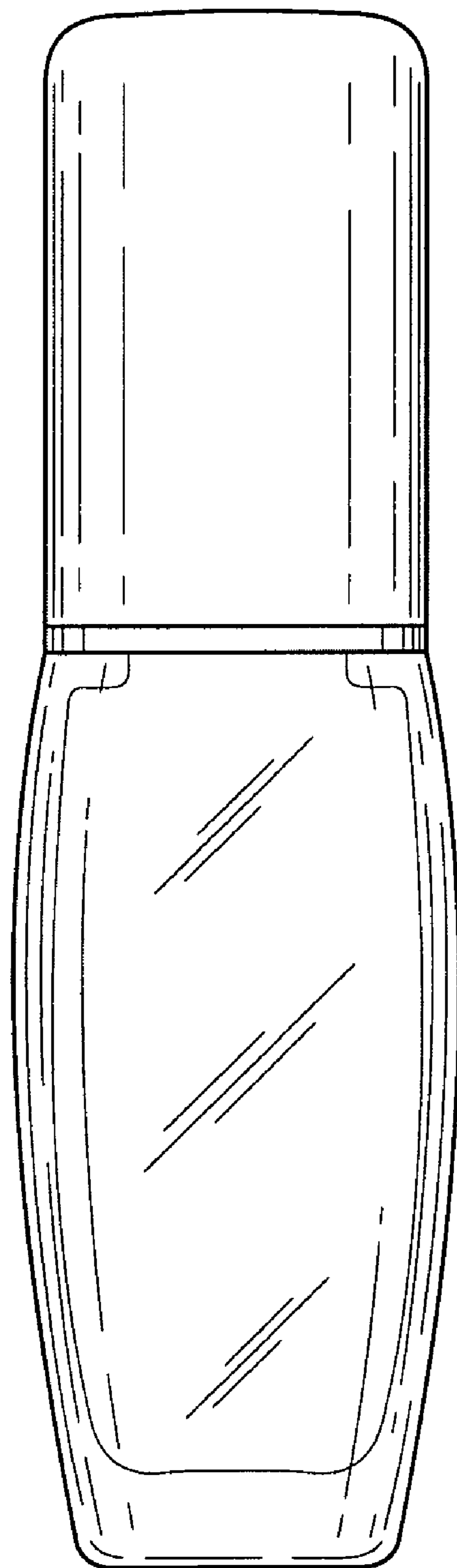


FIG. 2

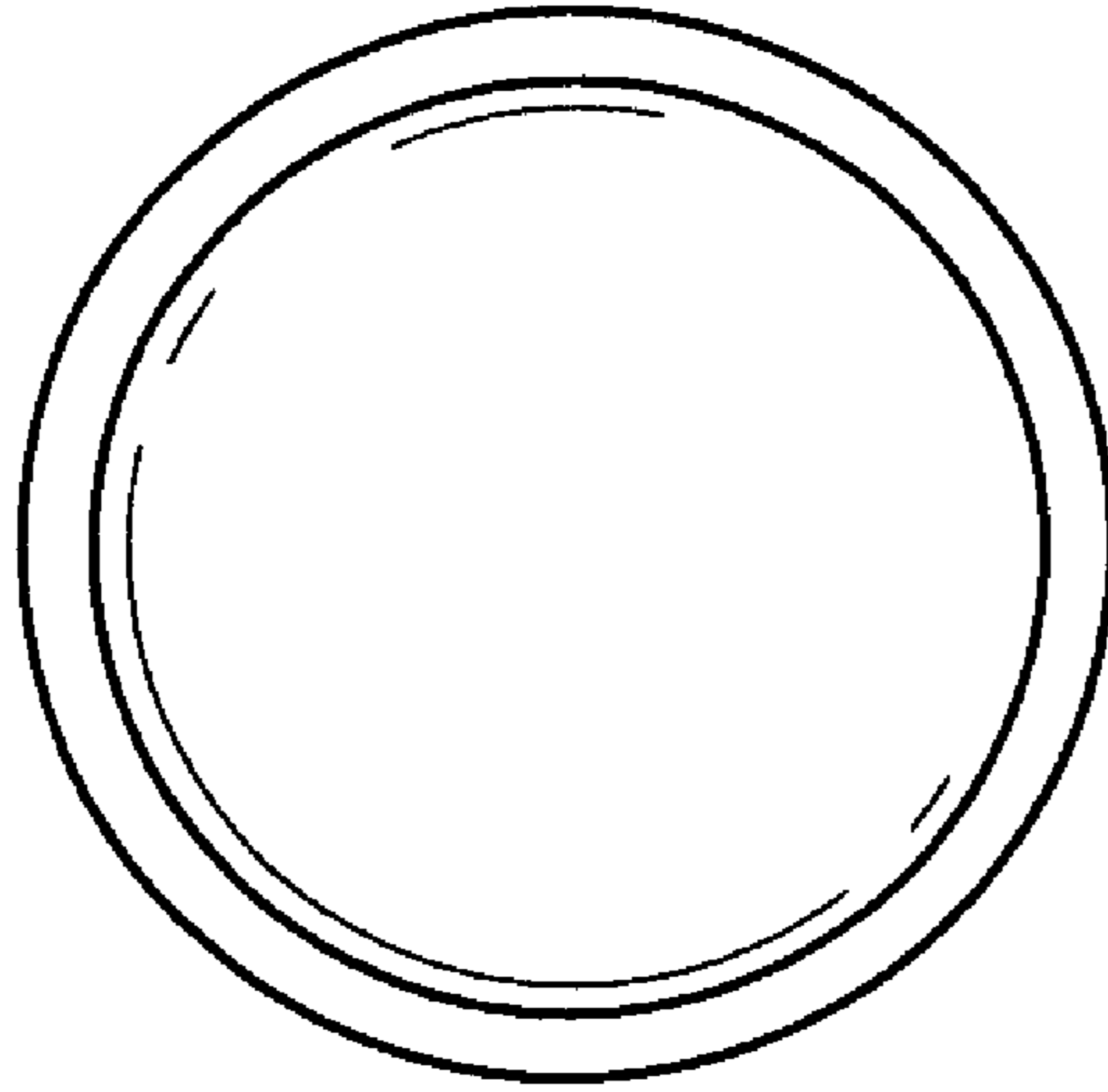


FIG. 3

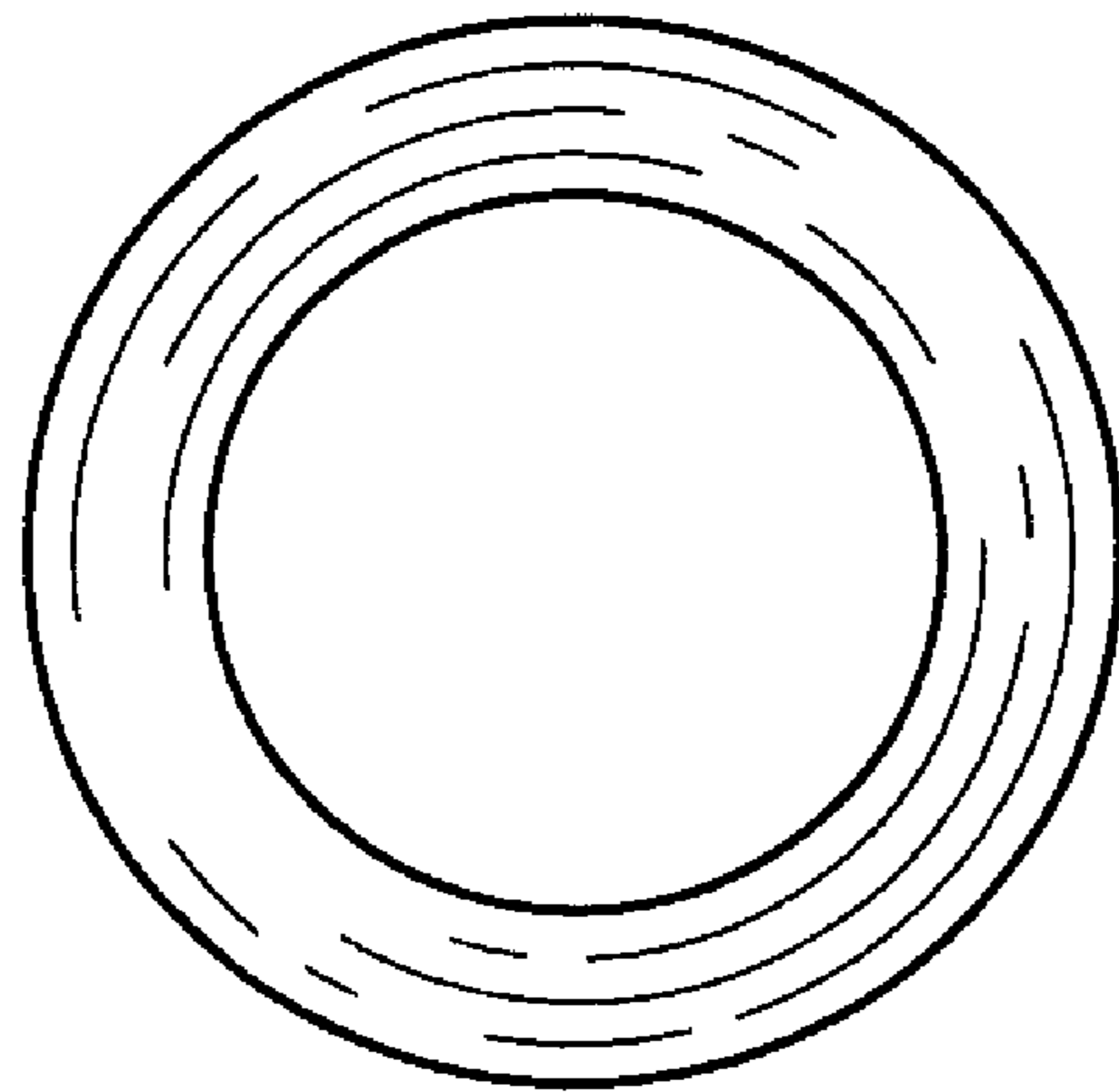


FIG. 4

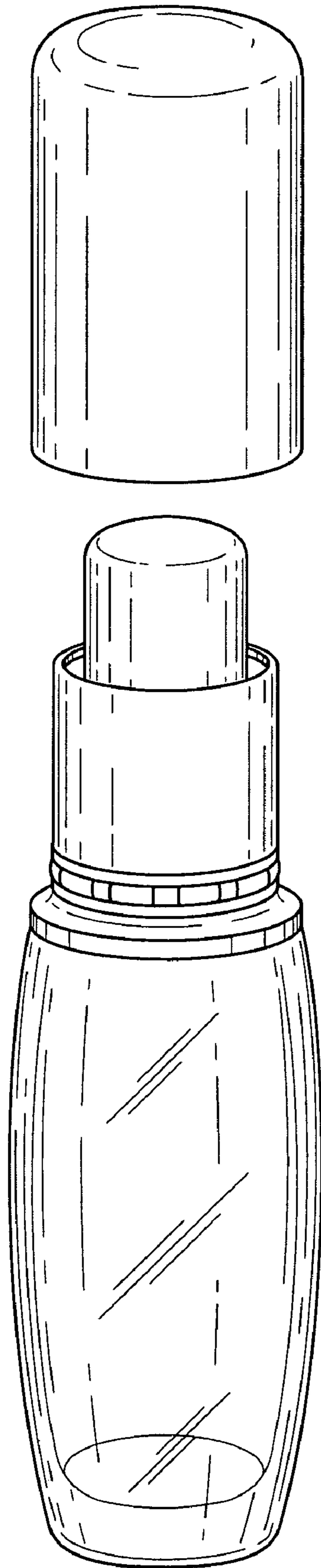


FIG. 5