

US00D593861S

(12) **United States Design Patent**  
**Sparks et al.**

(10) **Patent No.:** **US D593,861 S**  
(45) **Date of Patent:** **\*\* Jun. 9, 2009**

(54) **BOTTLE**

(75) Inventors: **Evan A. Sparks**, Madison, WI (US);  
**Timothy R. Ordiway**, Racine, WI (US);  
**Brad P. Baranowski**, Racine, WI (US);  
**Jeffrey L. Crull**, McFarland, WI (US)

(73) Assignee: **S.C. Johnson & Son, Inc.**, Racine, WI (US)

(\*\*) Term: **14 Years**

(21) Appl. No.: **29/302,687**

(22) Filed: **Jan. 22, 2008**

D455,080 S *	4/2002	Crawford .....	D9/560
D458,139 S *	6/2002	Moore et al. ....	D9/500
D476,238 S *	6/2003	McClelland et al. ....	D9/574
D480,308 S	10/2003	Grisdale et al.	
D480,309 S	10/2003	Choke-arpornchai et al.	
D488,386 S *	4/2004	Hall et al. ....	D9/550
D489,621 S	5/2004	Grisdale et al.	
6,820,821 B2	11/2004	Linstedt et al.	
D507,747 S	7/2005	Kerr et al.	
D509,738 S	9/2005	Kovara et al.	
7,021,494 B2	4/2006	Mazooji et al.	
D528,004 S	9/2006	Ratzlaff	
D540,685 S	4/2007	Shurtleff et al.	
D559,114 S *	1/2008	Breitlander .....	D9/558
2007/0136937 A1	6/2007	Sawalski et al.	
2007/0234470 A1	10/2007	Sawalski et al.	

**Related U.S. Application Data**

(63) Continuation-in-part of application No. 29/289,755, filed on Jul. 31, 2007.

(51) **LOC (9) Cl.** ..... **09-01**

(52) **U.S. Cl.** ..... **D9/516; D9/571**

(58) **Field of Classification Search** ..... D9/500,  
D9/516, 519, 521-522, 524, 529-530, 537-543,  
D9/544-547, 549, 551-554, 556-557, 559-561,  
D9/564-567, 569-575, 682-694; 215/382-384  
See application file for complete search history.

**References Cited**

**U.S. PATENT DOCUMENTS**

D282,909 S *	3/1986	Biesecker .....	D9/522
D286,928 S *	11/1986	Fitzwater .....	D32/25
D328,029 S *	7/1992	Grip .....	D9/544
D328,246 S	7/1992	Nottingham et al.	
D337,275 S	7/1993	Tutssel	
D353,329 S *	12/1994	Mangold .....	D9/521
D353,543 S	12/1994	Matsumoto	
D381,273 S	7/1997	Fenton et al.	
D400,786 S *	11/1998	Kokenge et al. ....	D9/434
D400,795 S	11/1998	De Baschmakoff	
D406,061 S *	2/1999	Dinand .....	D9/516
5,996,850 A	12/1999	Morali et al.	
D452,159 S *	12/2001	Belser et al. ....	D9/542

\* cited by examiner

*Primary Examiner*—Carol Rademaker

(57) **CLAIM**

The ornamental design for a bottle, as shown and described.

**DESCRIPTION**

The nature of this product is a bottle suitable for holding and dispensing a cleaning solution.

FIG. 1 is a bottom, front, and right side perspective view of a bottle embodying our new design;

FIG. 2 is a front elevational view thereof;

FIG. 3 is a right side elevational view thereof, the left side elevational view being a mirror image except for the unclaimed threads;

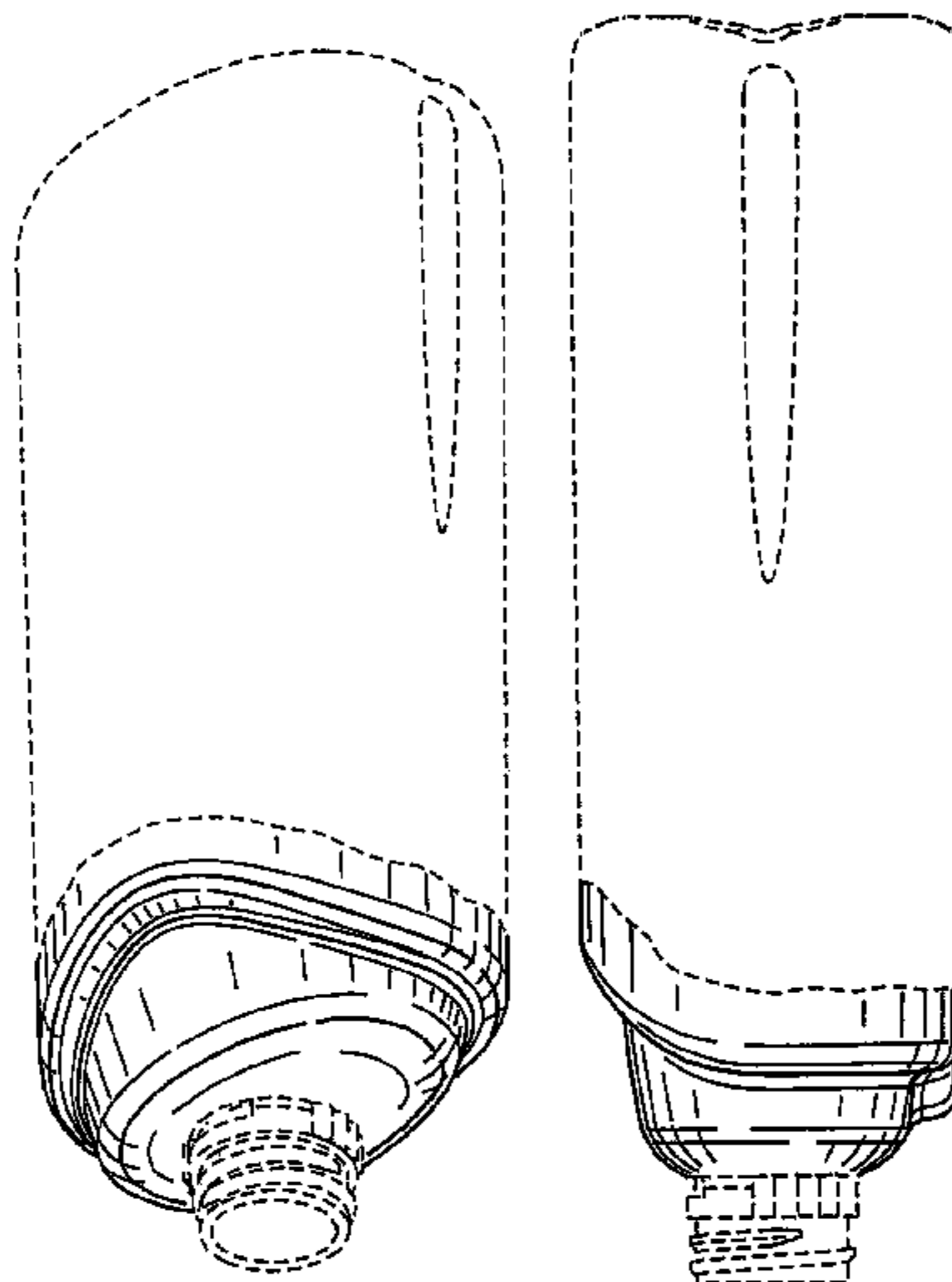
FIG. 4 is a rear elevational view thereof;

FIG. 5 is a top plan view thereof; and,

FIG. 6 is a bottom plan view thereof.

The broken lines shown in the drawings are included for the purpose of showing environmental structure that forms no part of the claimed design.

**1 Claim, 3 Drawing Sheets**



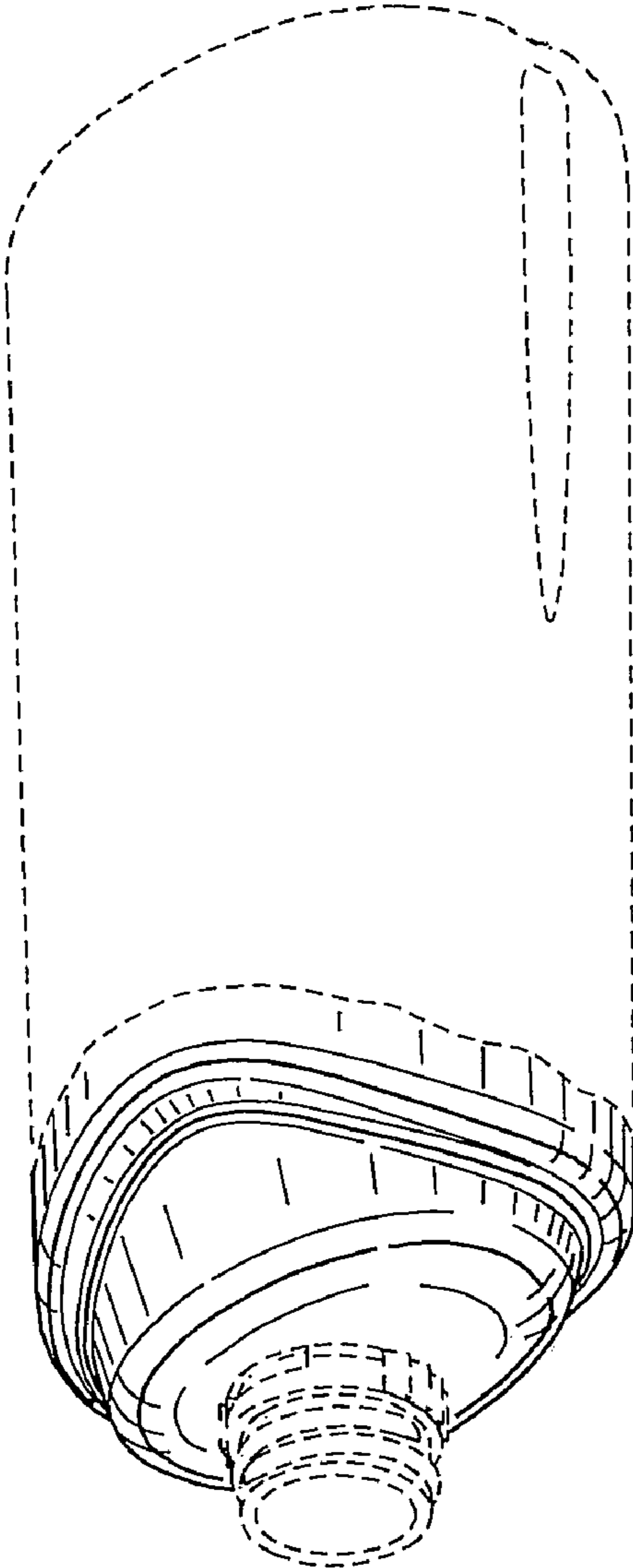


FIG. 1

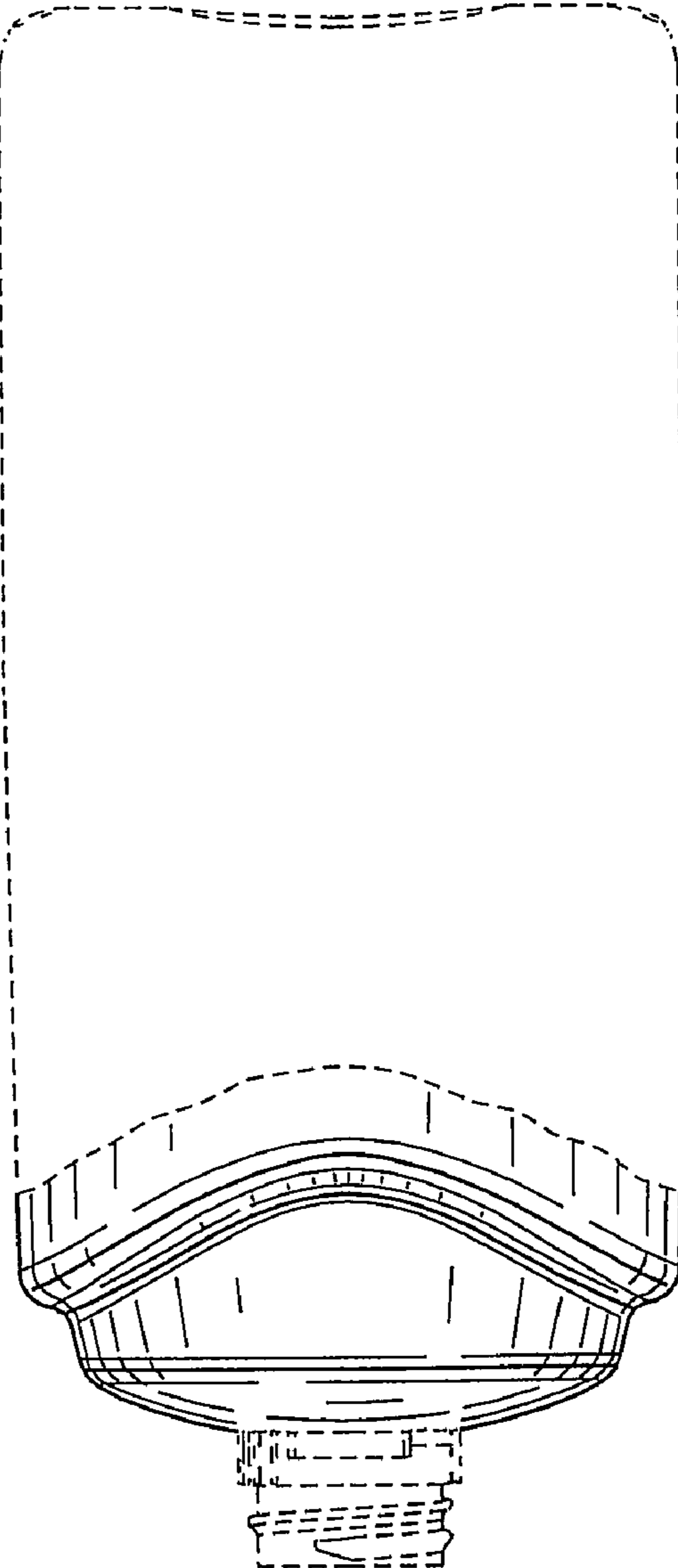


FIG. 2

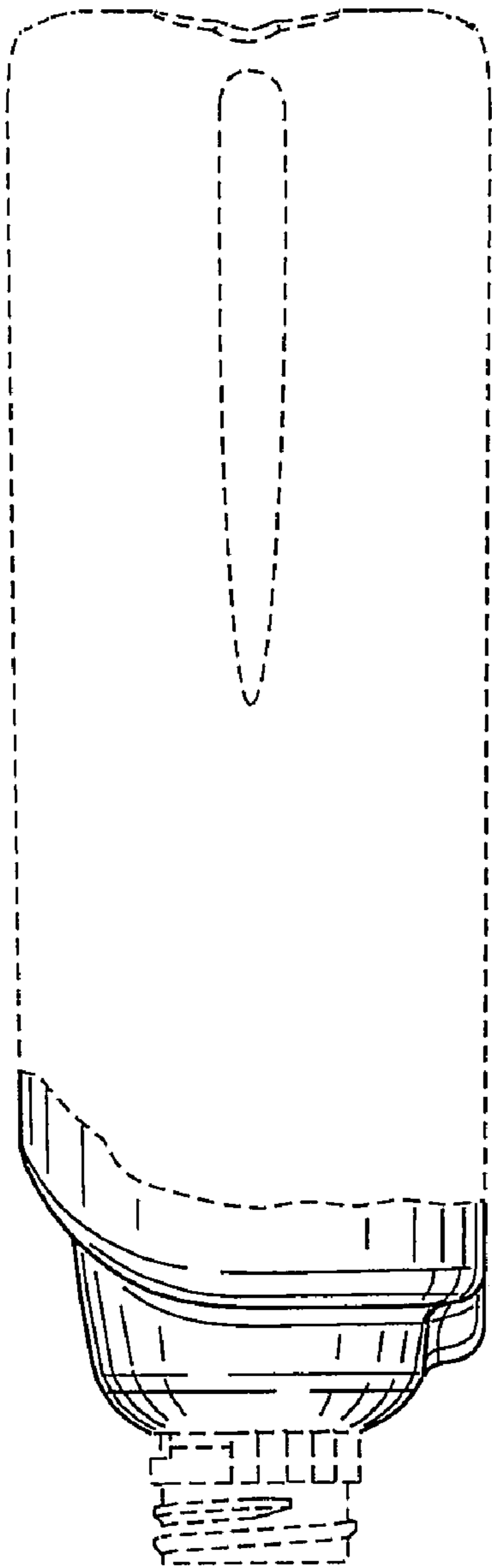


FIG. 3

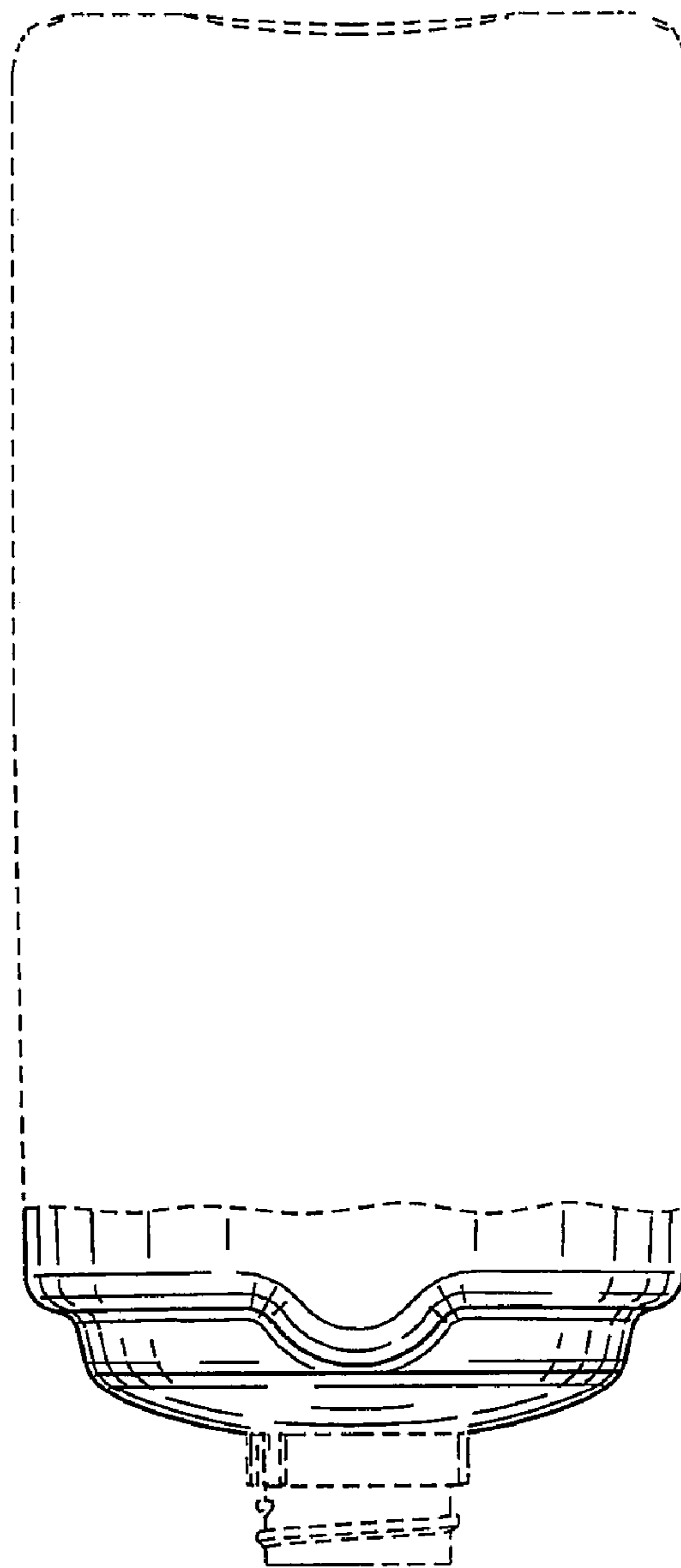


FIG. 4

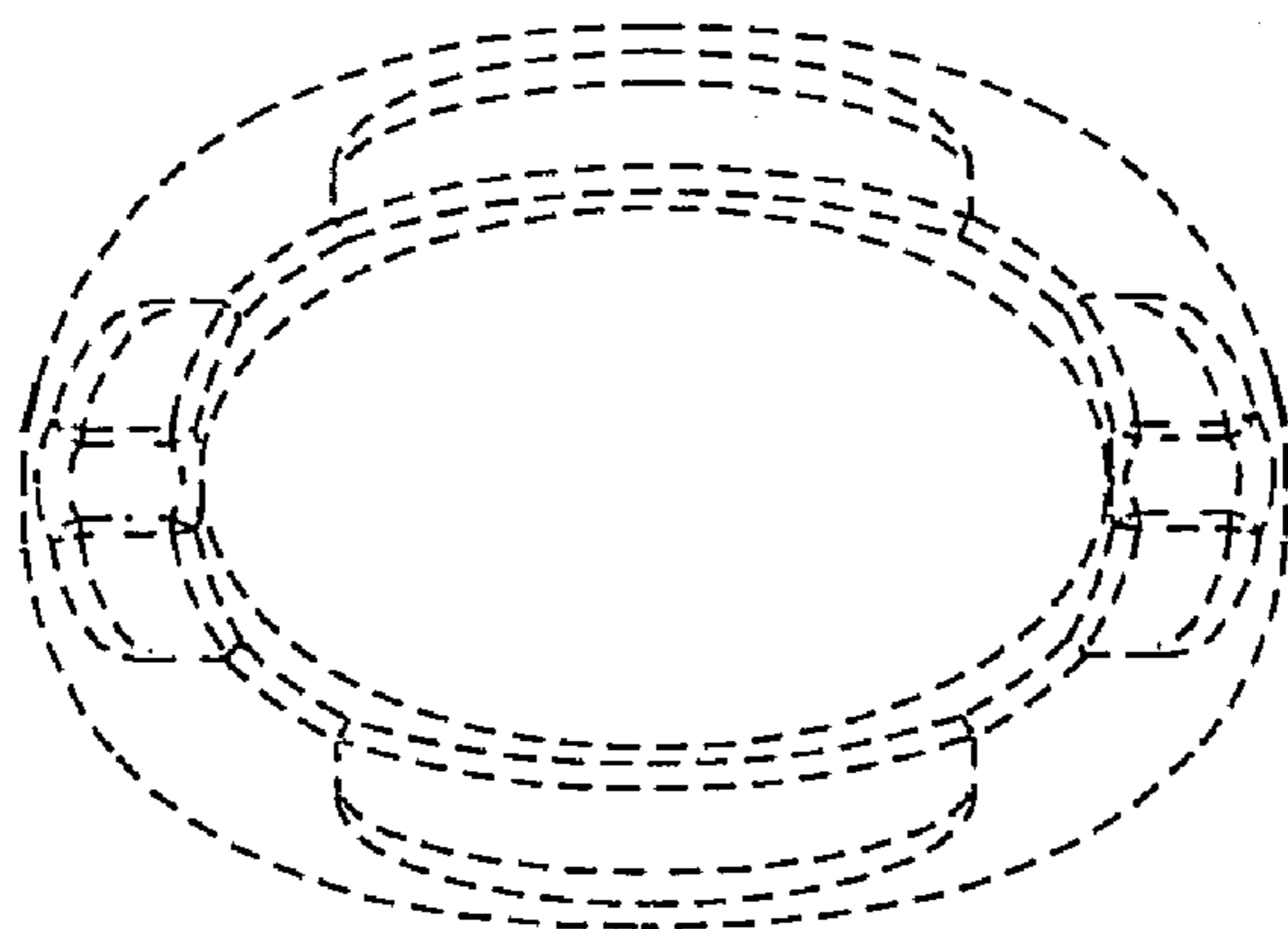


FIG. 5

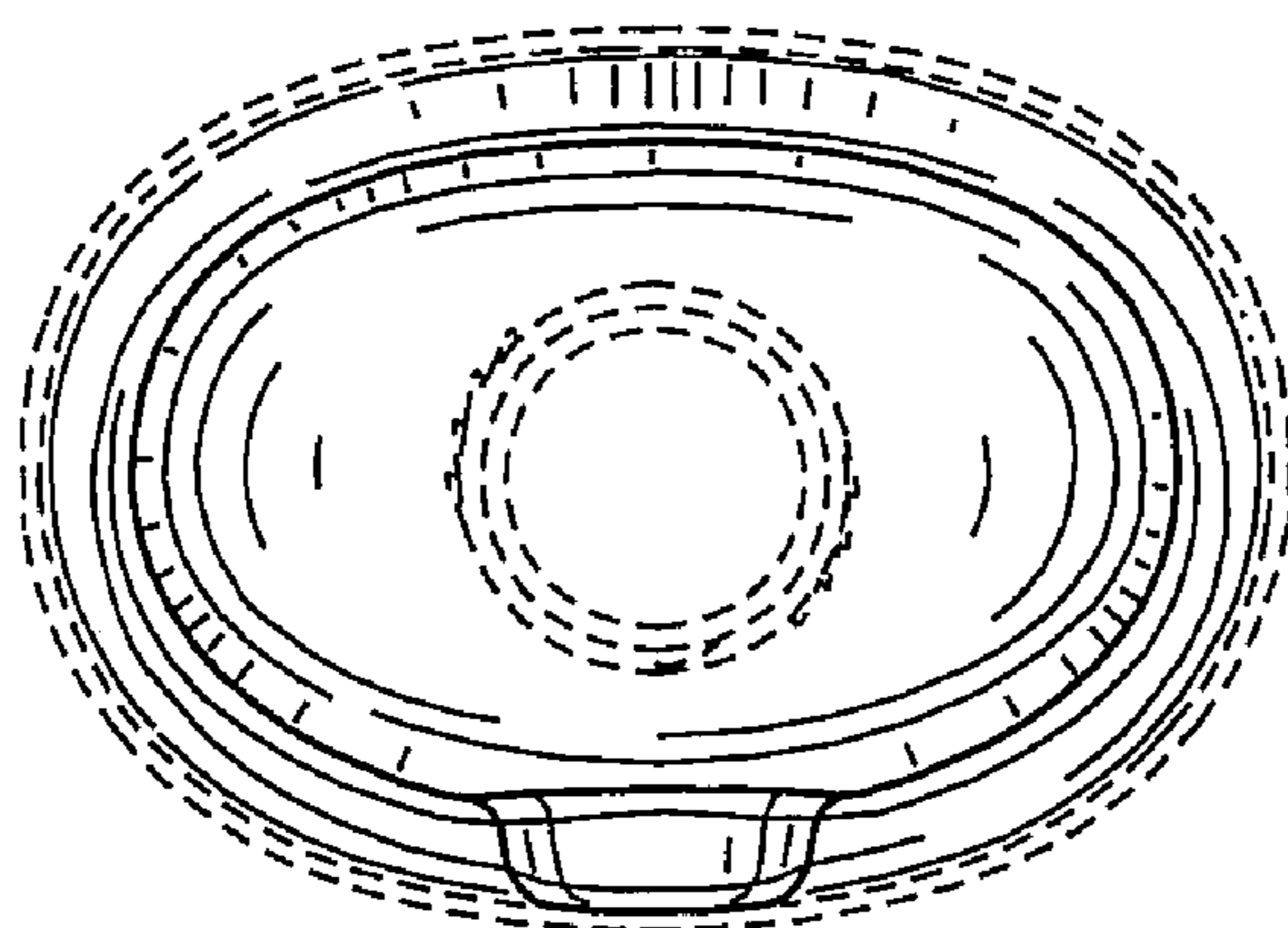


FIG. 6