



US00D593859S

(12) **United States Design Patent**
Barnum

(10) **Patent No.:** **US D593,859 S**

(45) **Date of Patent:** **** Jun. 9, 2009**

(54) **EASY POUR BOTTLE HOLDER**

(76) Inventor: **Michael J. Barnum**, 14589 S. Highway
59, Lincoln, AR (US) 72744

(**) Term: **14 Years**

(21) Appl. No.: **29/294,258**

(22) Filed: **Dec. 31, 2007**

(51) **LOC (9) Cl.** **09-07**

(52) **U.S. Cl.** **D9/455; D7/622**

(58) **Field of Classification Search** D9/517,
D9/455, 443, 434; D8/396, 395, 354, 349,
D8/34, 33; D7/622, 396.2, 394; 30/450;
294/33, 27.1, 2; 248/312, 311.2; 220/742;
215/396, 395

See application file for complete search history.

(56) **References Cited**

U.S. PATENT DOCUMENTS

D91,786 S *	3/1934	Panza	D7/622
D149,933 S *	6/1948	Bushman	D7/622
D211,818 S *	7/1968	Massey	D7/622
D225,437 S *	12/1972	Killigrew	D7/622
D292,160 S *	10/1987	Thomas	D7/622
D302,527 S *	8/1989	Spies	D7/622
D309,073 S	7/1990	Robinson	
D329,517 S *	9/1992	Vavla	D7/622
5,190,257 A	3/1993	Gradei et al.	
D336,827 S *	6/1993	Knight	D7/622

D343,094 S *	1/1994	Varney	D7/622
D350,879 S *	9/1994	Gelston	D7/622
D366,601 S *	1/1996	Oroudjian	D7/622
D371,943 S *	7/1996	Ramirez	D7/622
D382,483 S	8/1997	Flasch	
D405,321 S *	2/1999	Martorana	D7/622
D429,607 S *	8/2000	Prim	D7/622
D440,496 S *	4/2001	Adam et al.	D7/622
D494,471 S *	8/2004	Chou	D9/455
D505,328 S *	5/2005	Chou	D9/455

* cited by examiner

Primary Examiner—Susan Bennett Hattan

(74) *Attorney, Agent, or Firm*—Raymond M. Galasso;
Galasso & Associates, LP

(57) **CLAIM**

The ornamental design for easy pour bottle holder, as shown and described.

DESCRIPTION

FIG. 1 is a perspective view depicting an embodiment of easy pour bottle holder,

FIG. 2 is a left sectional view thereof, taken in the direction of line 2 in FIG. 1;

FIG. 3 is a right sectional view thereof, taken in the direction of line 3 in FIG. 1; and,

FIG. 4 is a right perspective side view of FIG. 1.

1 Claim, 4 Drawing Sheets

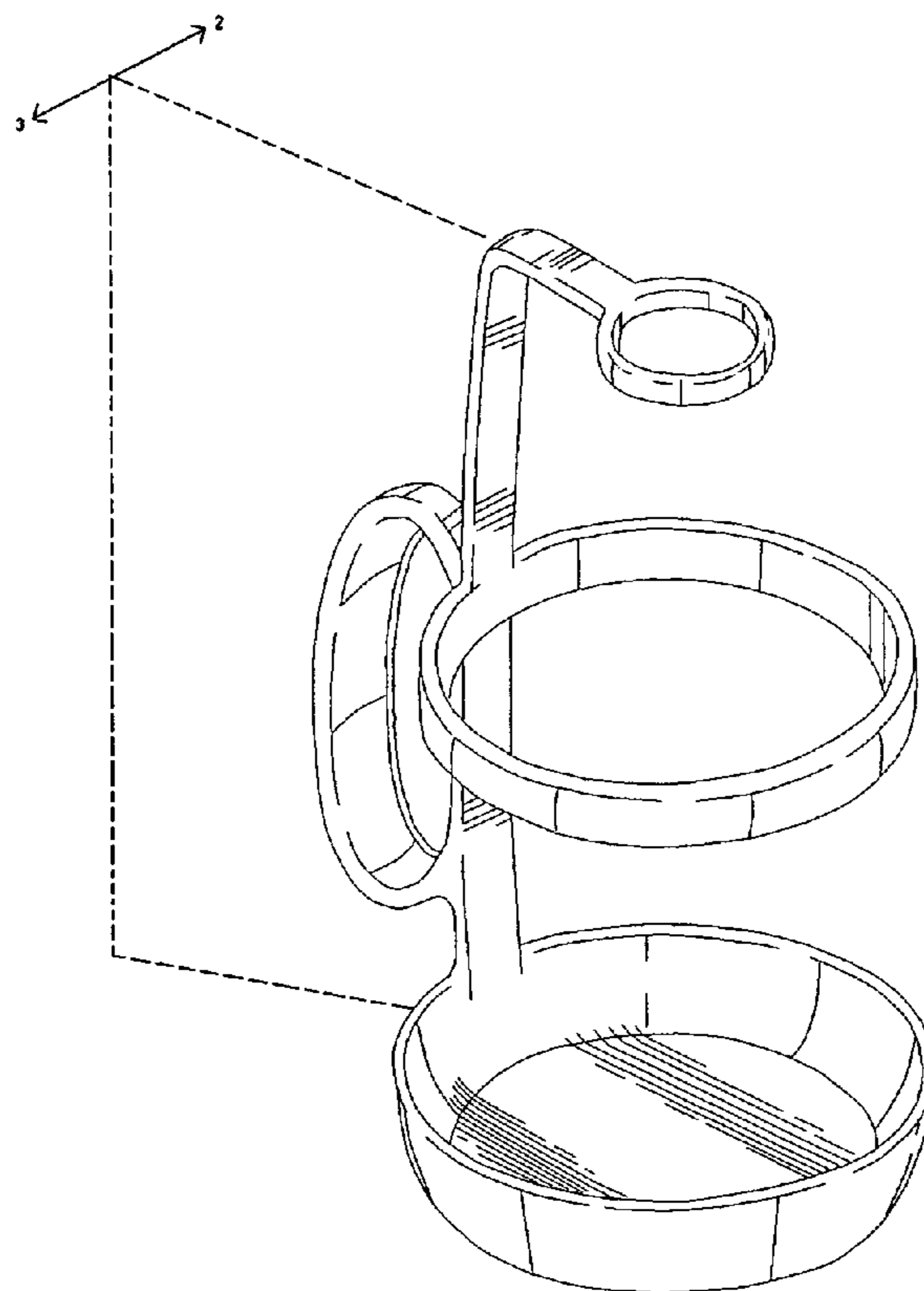
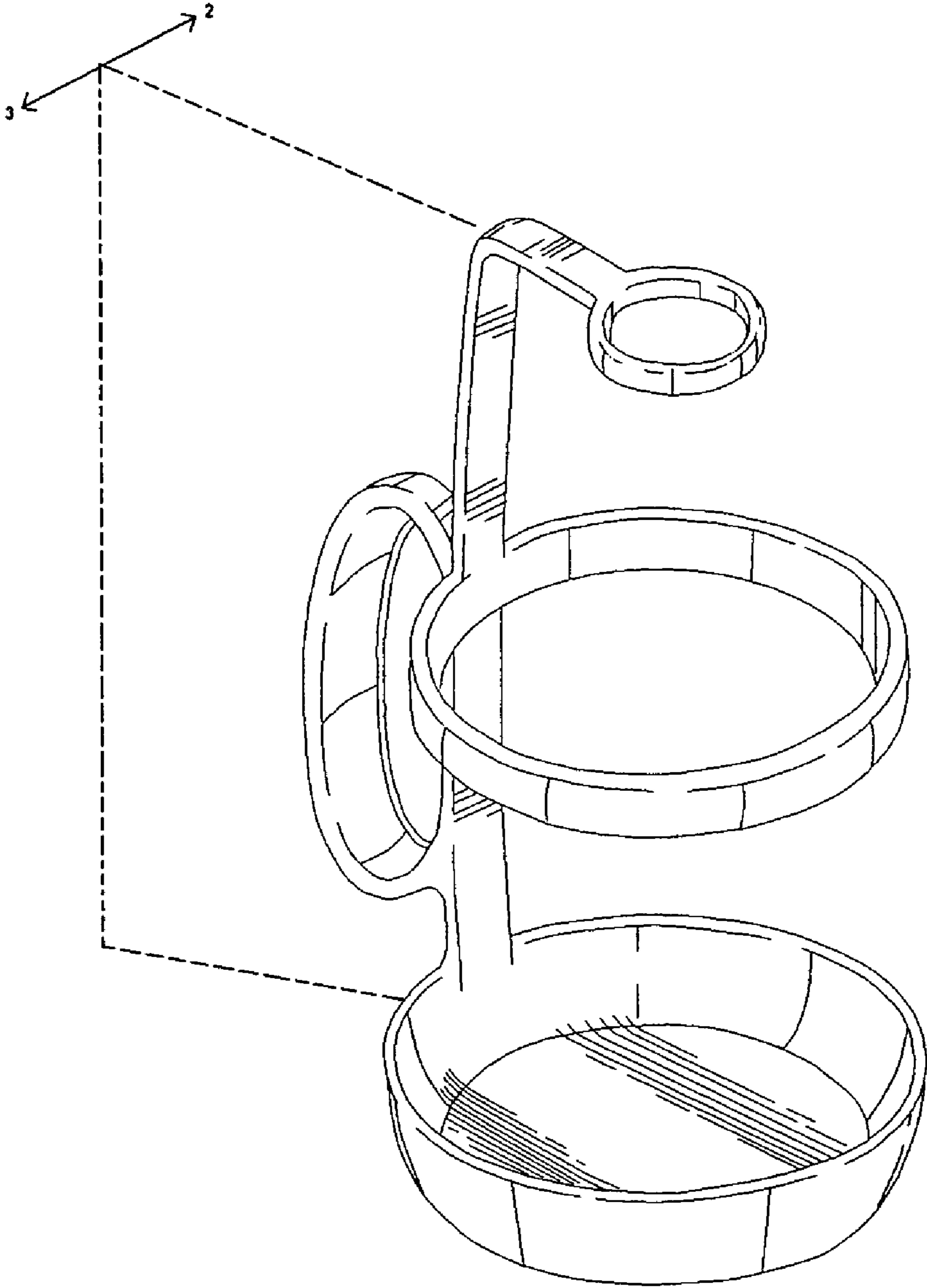


FIG. 1



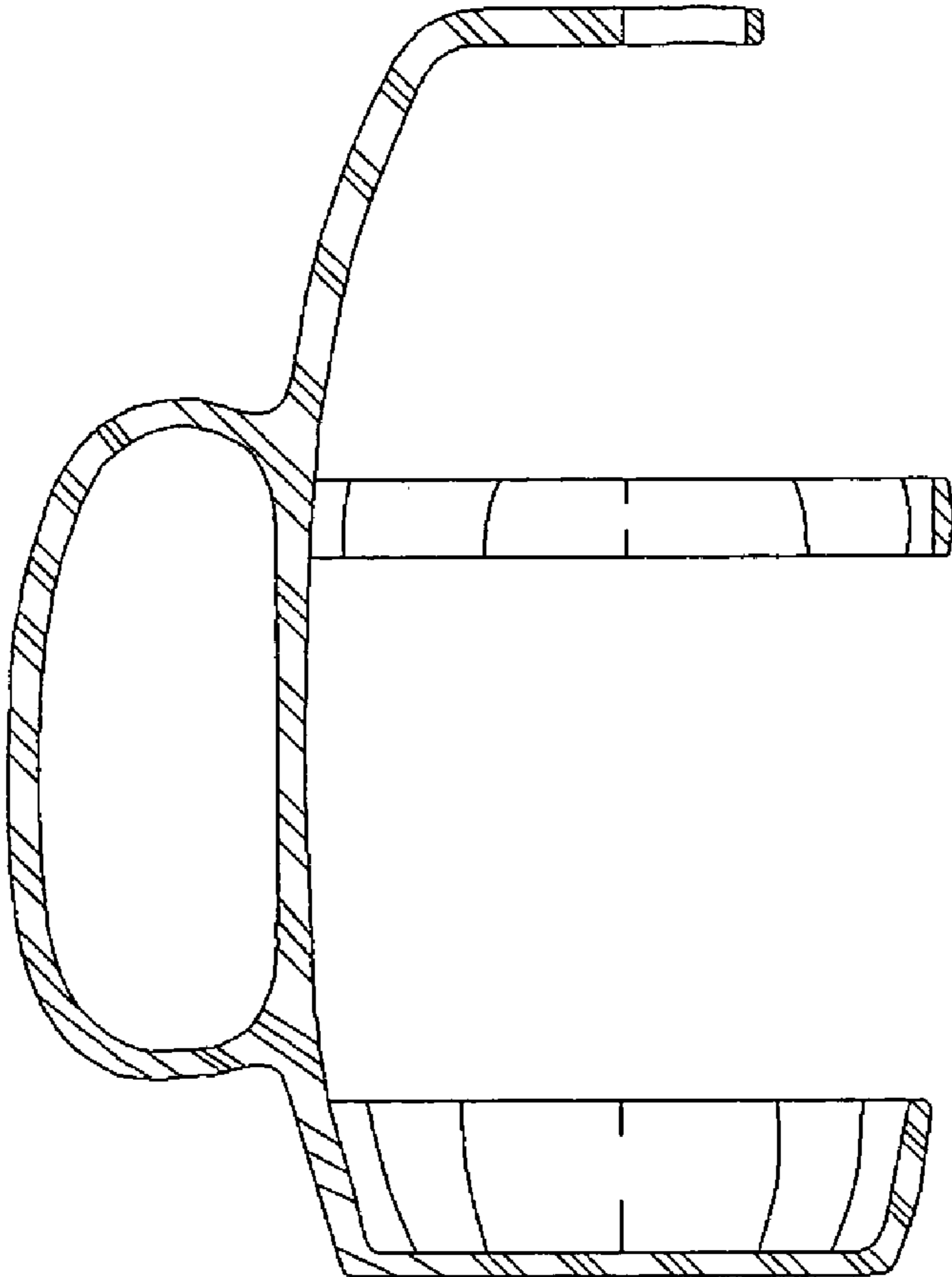
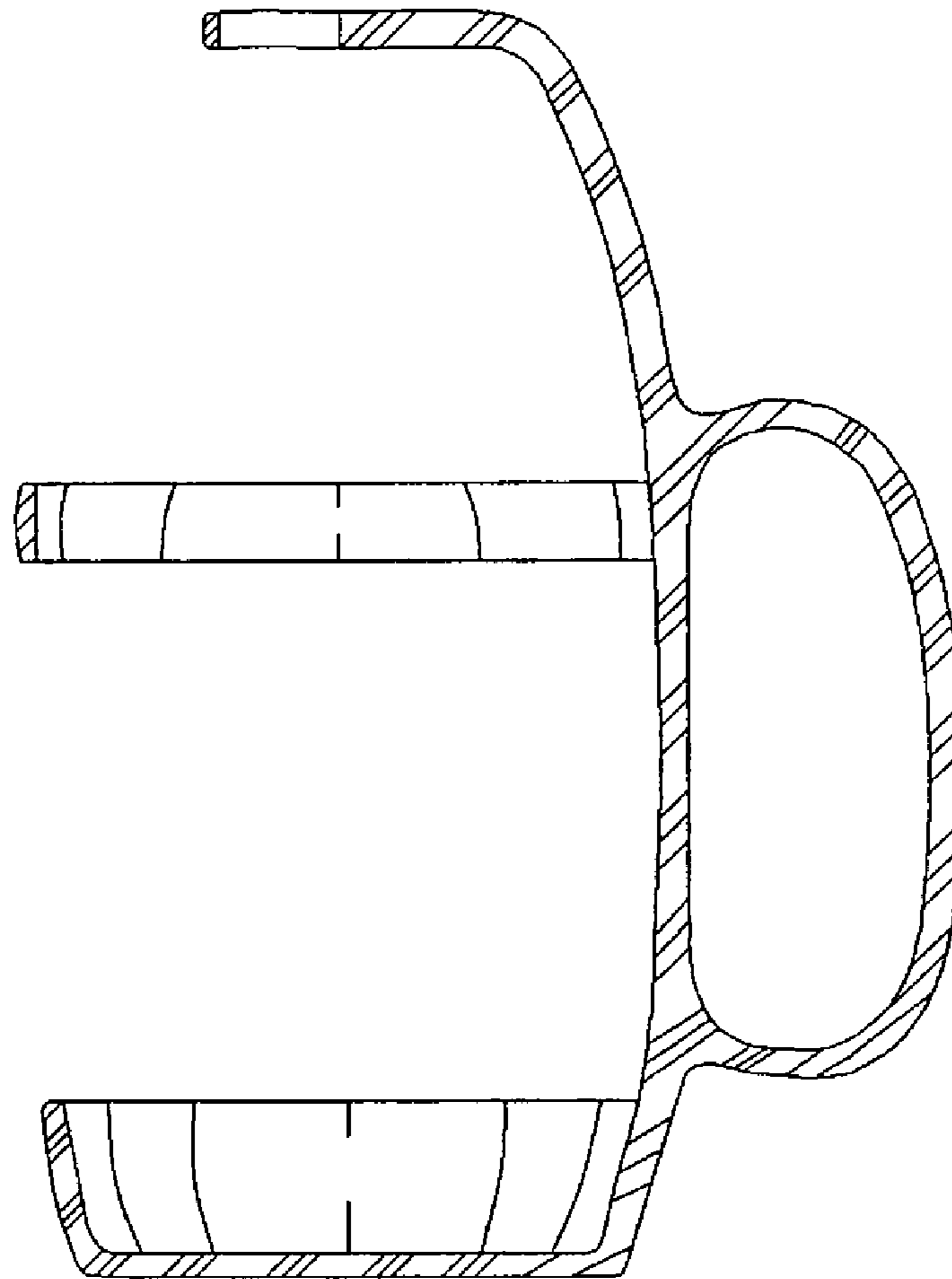


FIG. 2

FIG. 3



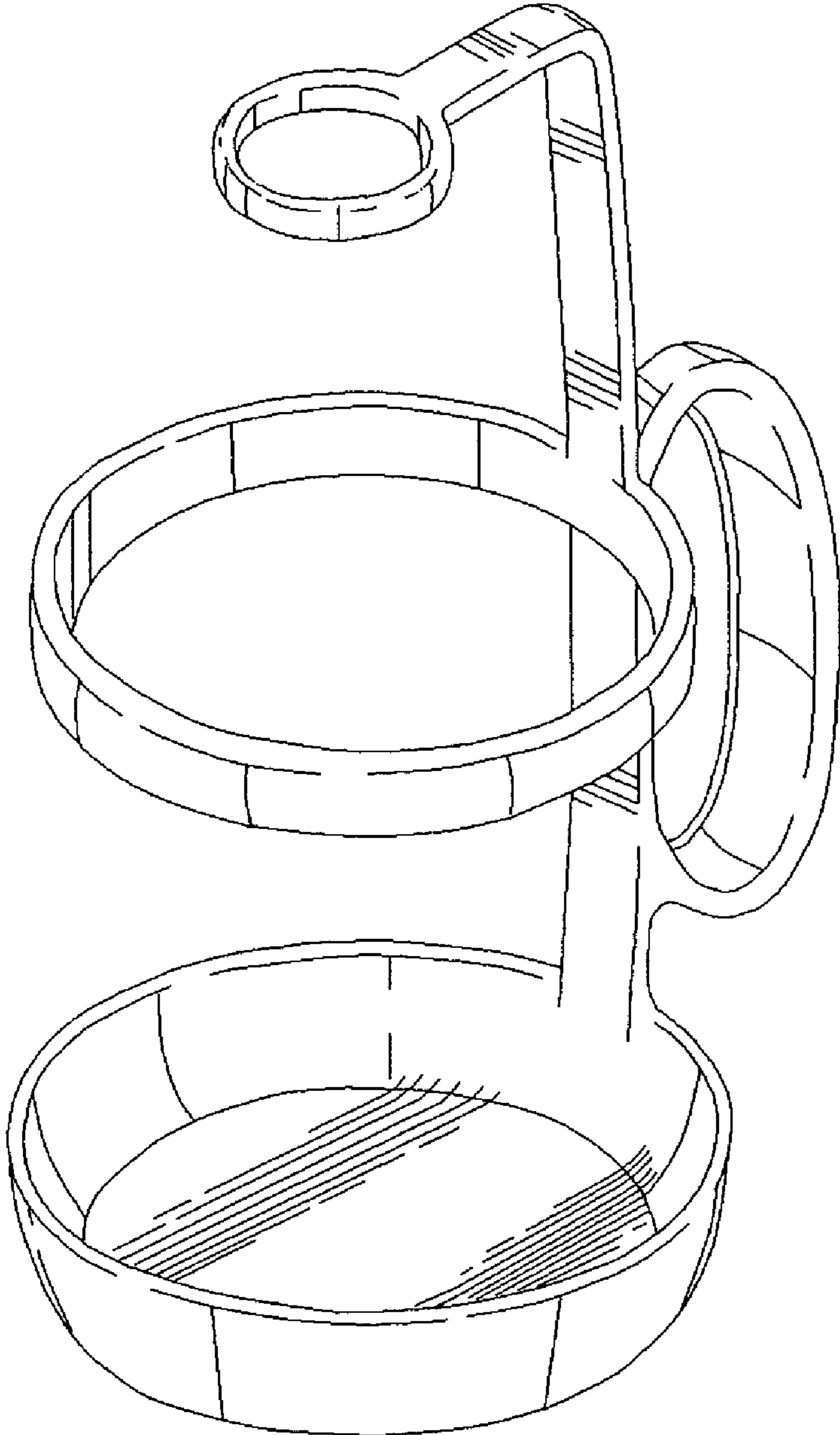


FIG. 4