



US00D593858S

(12) **United States Design Patent**
Kubicek et al.

(10) **Patent No.:** **US D593,858 S**
(45) **Date of Patent:** **** Jun. 9, 2009**

(54) **DECORATIVE CANDLE TIN LID**

(75) Inventors: **Chris A. Kubicek**, East Troy, WI (US);
Mary Beth Adams, Antioch, IL (US);
David D. Williams, Racine, WI (US);
Gregory A. Falduto, Grayslake, IL (US);
Anup Shah, Chicago, IL (US)

(73) Assignee: **S.C. Johnson & Son, Inc.**, Racine, WI (US)

(**) Term: **14 Years**

(21) Appl. No.: **29/321,848**

(22) Filed: **Jul. 24, 2008**

(51) **LOC (9) Cl.** **09-07**

(52) **U.S. Cl.** **D9/454**

(58) **Field of Classification Search** D9/694,
D9/573, 560, 554, 529, 504, 503, 502, 456,
D9/454, 453, 451, 447, 445, 444, 435, 432,
D9/428, 425, 424, 418; D7/629, 396.2, 396.1,
D7/300; D3/323; D28/91, 82, 8.1; D26/6,
D26/23, 20; 431/291; 222/270, 142.9, 792,
222/266, 226, 212; 217/11; 206/520, 519,
206/508, 505

See application file for complete search history.

(56) **References Cited**

U.S. PATENT DOCUMENTS

1,053,807 A 2/1913 Hager
2,047,951 A * 7/1936 Eberhart 220/377
2,079,177 A * 5/1937 Membrino 229/93
2,082,614 A * 6/1937 Leo 229/121
D226,240 S 1/1973 Twedt
D228,867 S * 10/1973 Eberhart D7/391
4,098,421 A * 7/1978 Foster 215/321
D303,584 S * 9/1989 Bakic D28/91

D371,970 S * 7/1996 Desgrippes D9/573
5,770,840 A * 6/1998 Lorence 219/730
D424,719 S 5/2000 Freeman
6,112,891 A * 9/2000 Wohl et al. 206/223
6,171,102 B1 1/2001 Freeman et al.
D462,132 S 8/2002 Papai
6,457,969 B1 10/2002 Khosla
D471,299 S 3/2003 Papai
D495,437 S 8/2004 Barbera et al.
D495,438 S 8/2004 Barbera et al.
D499,025 S * 11/2004 Houk et al. D9/520
D515,439 S * 2/2006 Pace D9/746
D531,036 S * 10/2006 Bried et al. D9/504
D533,953 S * 12/2006 Adams et al. D26/23
D539,942 S * 4/2007 Adams et al. D26/23
D550,378 S * 9/2007 Adams et al. D26/23
D563,786 S * 3/2008 Welk et al. D9/454
D564,356 S * 3/2008 Nickleberry D9/454
D584,152 S * 1/2009 VerWeyst et al. D9/454
2007/0051826 A1 3/2007 Schofield

* cited by examiner

Primary Examiner—Susan Bennett Hattan

(57) **CLAIM**

The ornamental design for a decorative candle tin lid, as shown and described.

DESCRIPTION

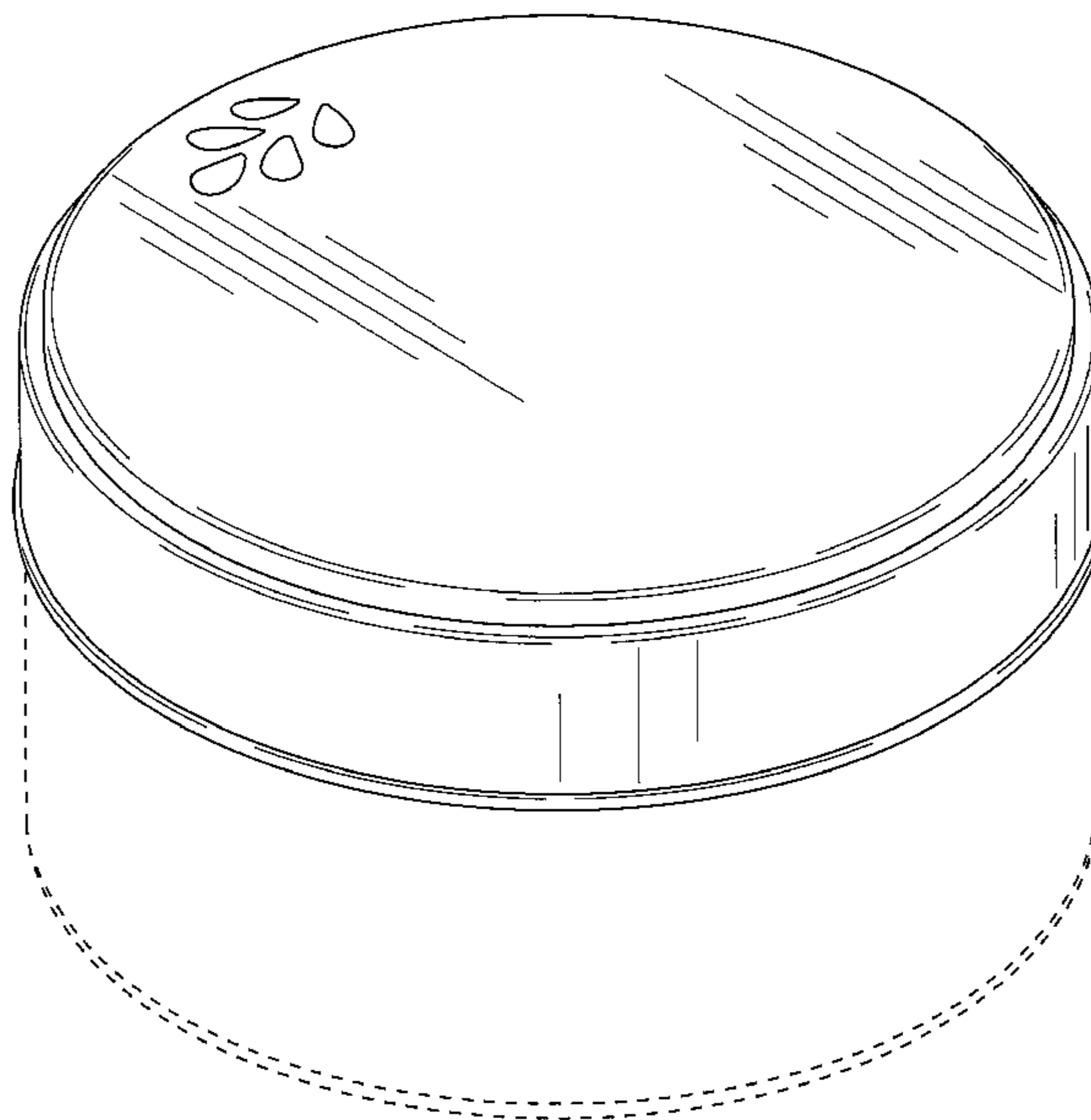
FIG. 1 is an isometric view of a decorative candle tin lid according to the present invention;

FIG. 2 is a top plan view of the decorative candle tin lid of FIG. 1; and,

FIG. 3 is a side elevational view of the decorative candle tin lid of FIG. 1.

Structure shown in phantom is for environmental purposes and forms no part of the claimed design.

1 Claim, 2 Drawing Sheets



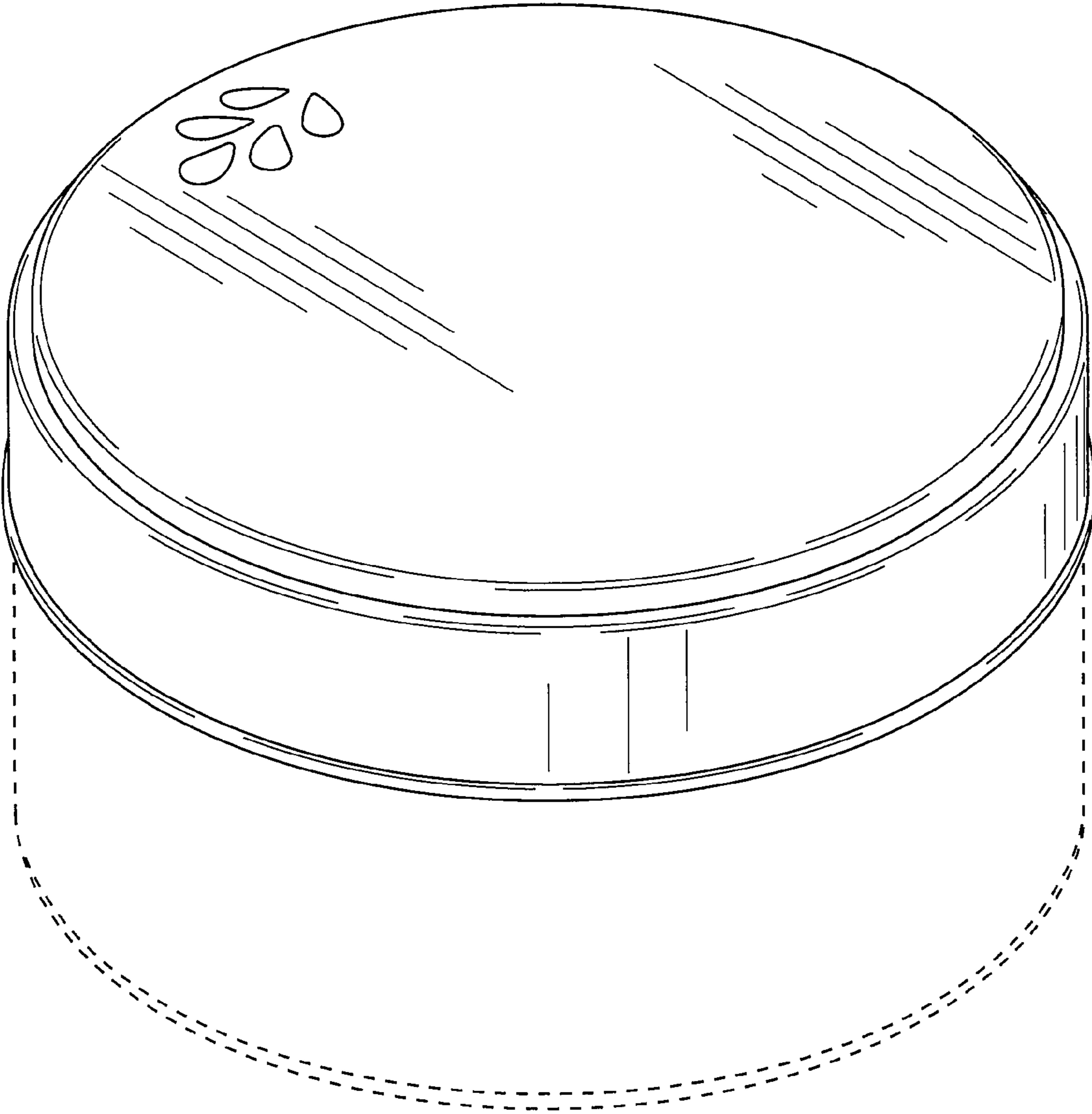


FIG. 1

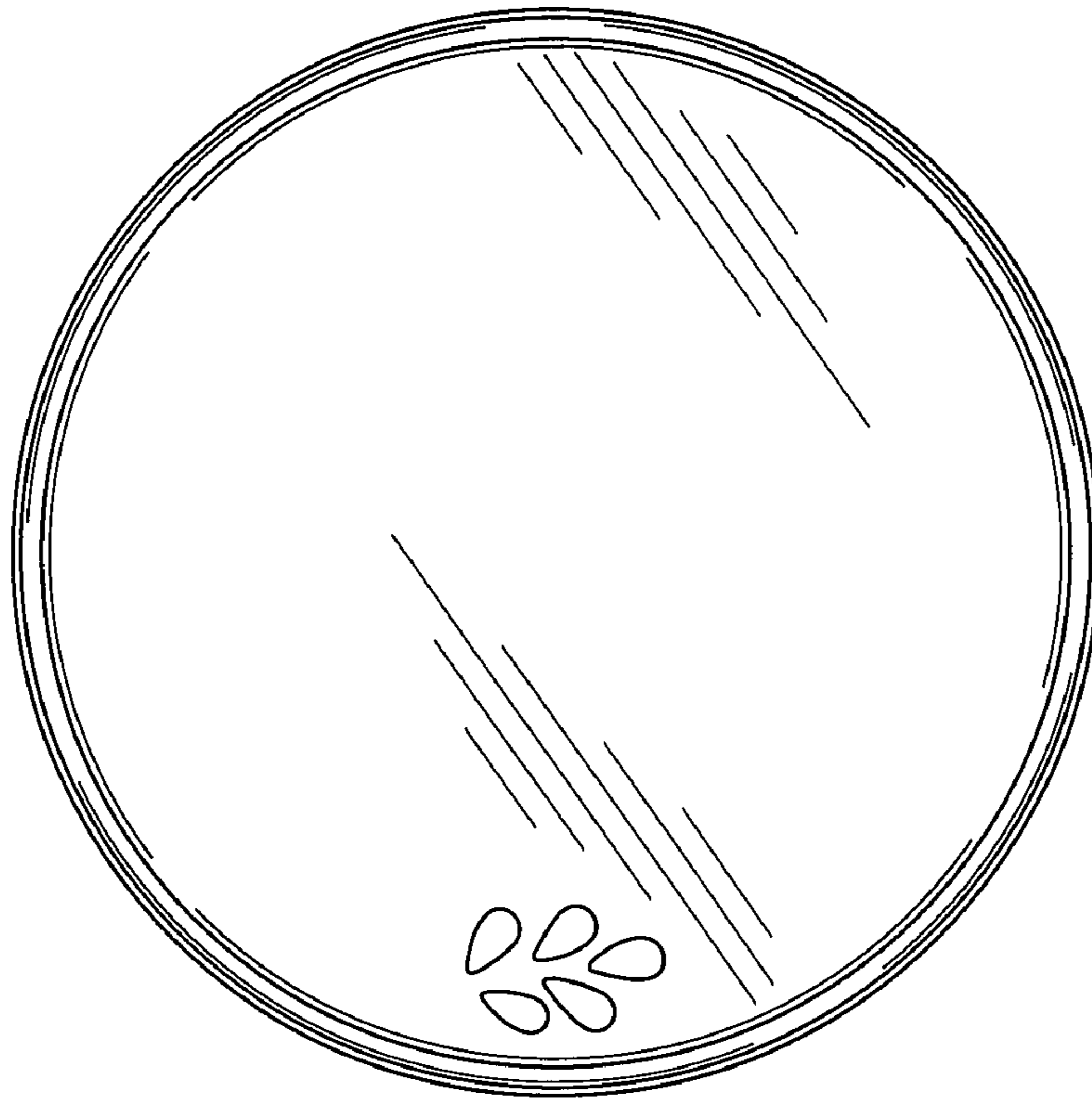


FIG. 2

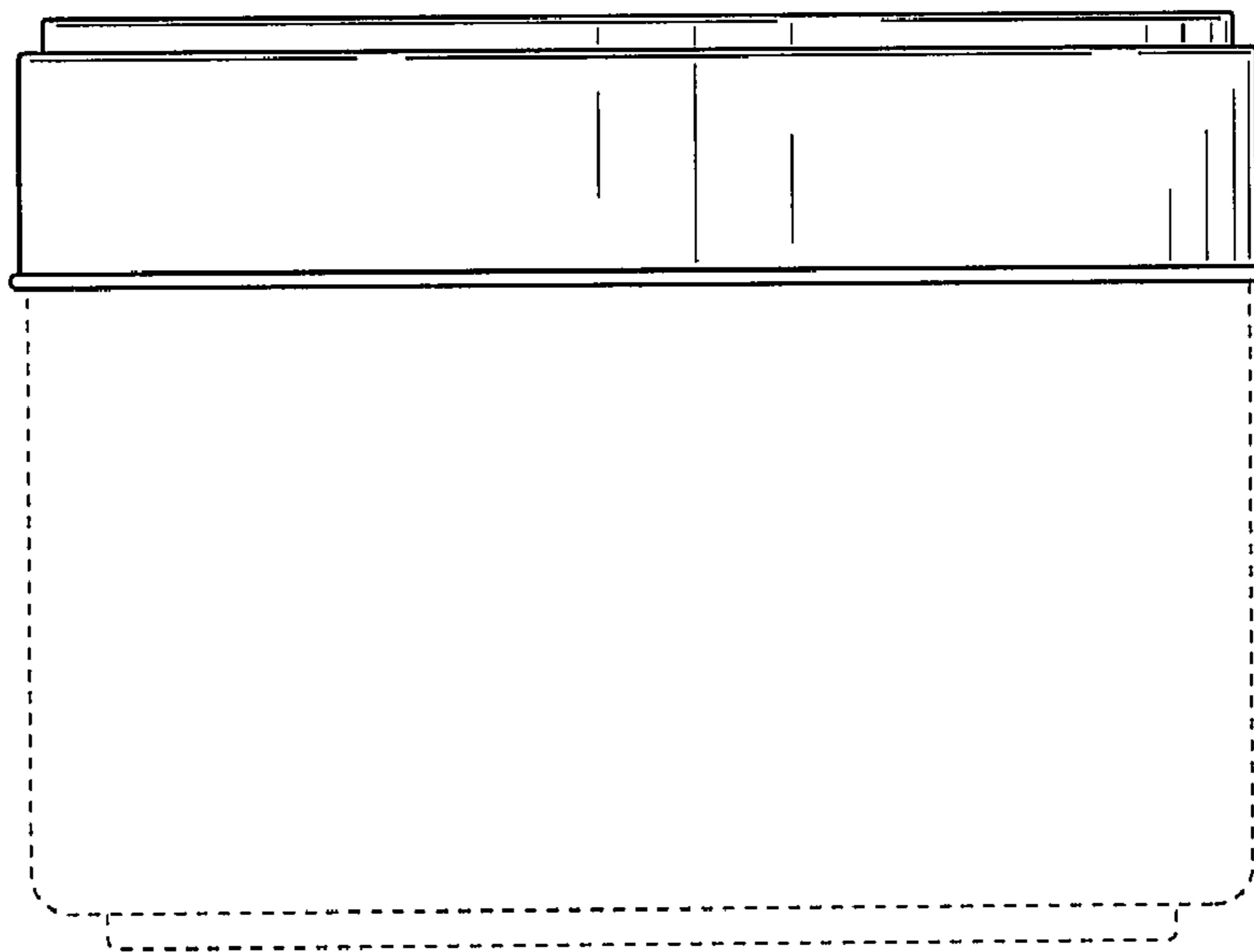


FIG. 3