



US00D593857S

(12) **United States Design Patent**
Restive et al.

(10) **Patent No.:** **US D593,857 S**
(45) **Date of Patent:** **** Jun. 9, 2009**

(54) **SHROUD FOR FLUID DISPENSING SYSTEM**

(75) Inventors: **Mario J. Restive**, Frankfort, NY (US);
George A. Mitchell, Utica, NY (US);
Mark I. Cushman, Ilion, NY (US);
Joseph F. Arcuri, Liverpool, NY (US);
Scott W. Osiecki, Skaneateles, NY (US);
Ronald J. Kingston, Syracuse, NY (US)

(73) Assignee: **The Fountainhead Group, Inc.**, New York Mills, NY (US)

(**) Term: **14 Years**

(21) Appl. No.: **29/282,758**

(22) Filed: **Jul. 27, 2007**

(51) **LOC (9) Cl.** **09-07**

(52) **U.S. Cl.** **D9/447; D9/434**

(58) **Field of Classification Search** D9/686,
D9/685, 682, 448; D8/51; D23/226, 213;
417/411; 401/190; 239/337, 120; 222/402.11,
222/383.3, 383.1, 323, 179.5, 109.1

See application file for complete search history.

(56) **References Cited**

U.S. PATENT DOCUMENTS

5,196,044	A	3/1993	Caulder et al.	
5,469,993	A	11/1995	Hauf et al.	
5,553,750	A	9/1996	Foster	
D419,370	S *	1/2000	Busick et al.	D7/392
6,170,706	B1	1/2001	Havlovitz	
6,367,665	B1	4/2002	Barriac et al.	
D515,353	S *	2/2006	Martin	D7/392.1
D562,683	S *	2/2008	Sweeton et al.	D9/454

FOREIGN PATENT DOCUMENTS

WO 2007/090120 A2 8/2007

OTHER PUBLICATIONS

U.S. Appl. No. 11/342,918, filed Jan. 30, 2006, Arcuri et al.
U.S. Appl. No. 29/282,757, filed Jul. 27, 2007, Restive et al.
U.S. Appl. No. 29/282,759, filed Jul. 27, 2007, Restive et al.

* cited by examiner

Primary Examiner—Susan Bennett Hattan

(74) *Attorney, Agent, or Firm*—George R. McGuire; Bond, Schoeneck & King, PLLC

(57) **CLAIM**

The ornamental design for the shroud for fluid dispensing system, as shown and described.

DESCRIPTION

FIG. 1 is a perspective top view of the shroud for fluid dispensing system.

FIG. 2 is a perspective bottom view of the shroud for fluid dispensing system of FIG. 1.

FIG. 3 is a top view of the shroud for fluid dispensing system of FIG. 1.

FIG. 4 is a front elevation view of the shroud for fluid dispensing system of FIG. 1.

FIG. 5 is a rear elevation view of the shroud for fluid dispensing system of FIG. 1.

FIG. 6 is a first side elevation view of the shroud for fluid dispensing system of FIG. 1; and,

FIG. 7 is a second side elevation view of the shroud for fluid dispensing system of FIG. 1.

Throughout the Figures, dotted lines are used to show elements that provide environment for what is claimed and/or portions of the assembly that are not part of the claimed subject matter. The elements shown in the dotted lines are not part of the claimed design.

1 Claim, 3 Drawing Sheets

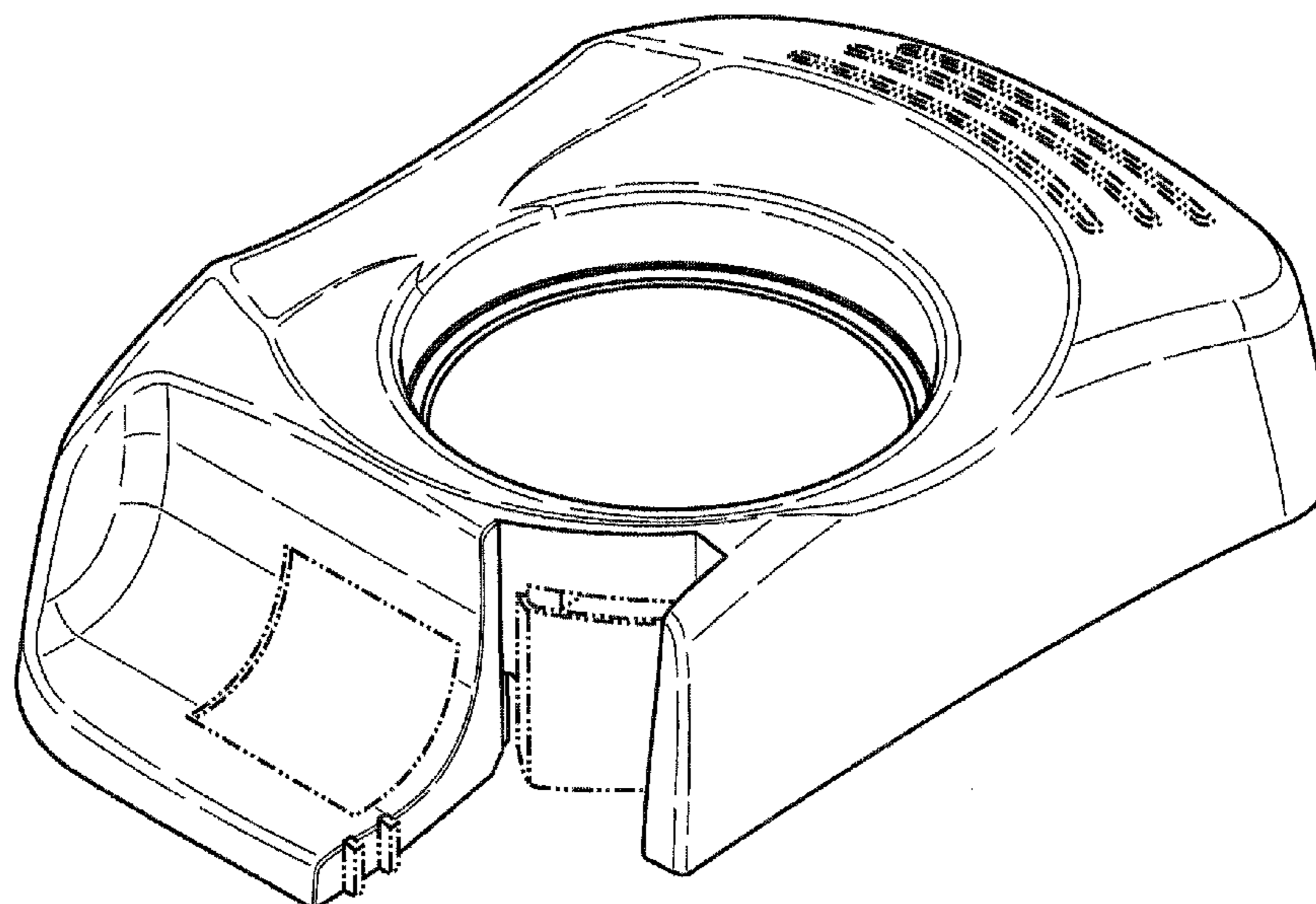


Fig. 1

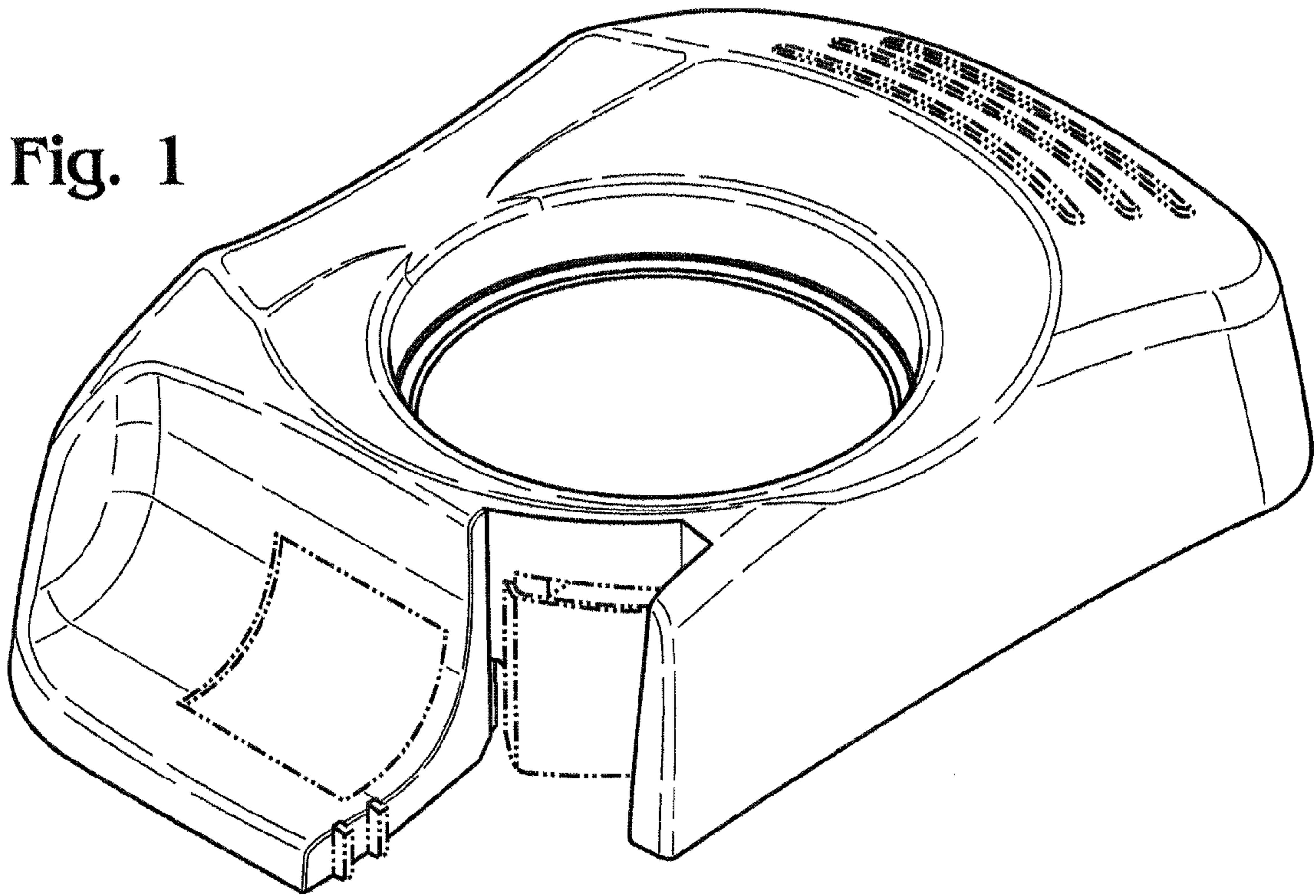


Fig. 2

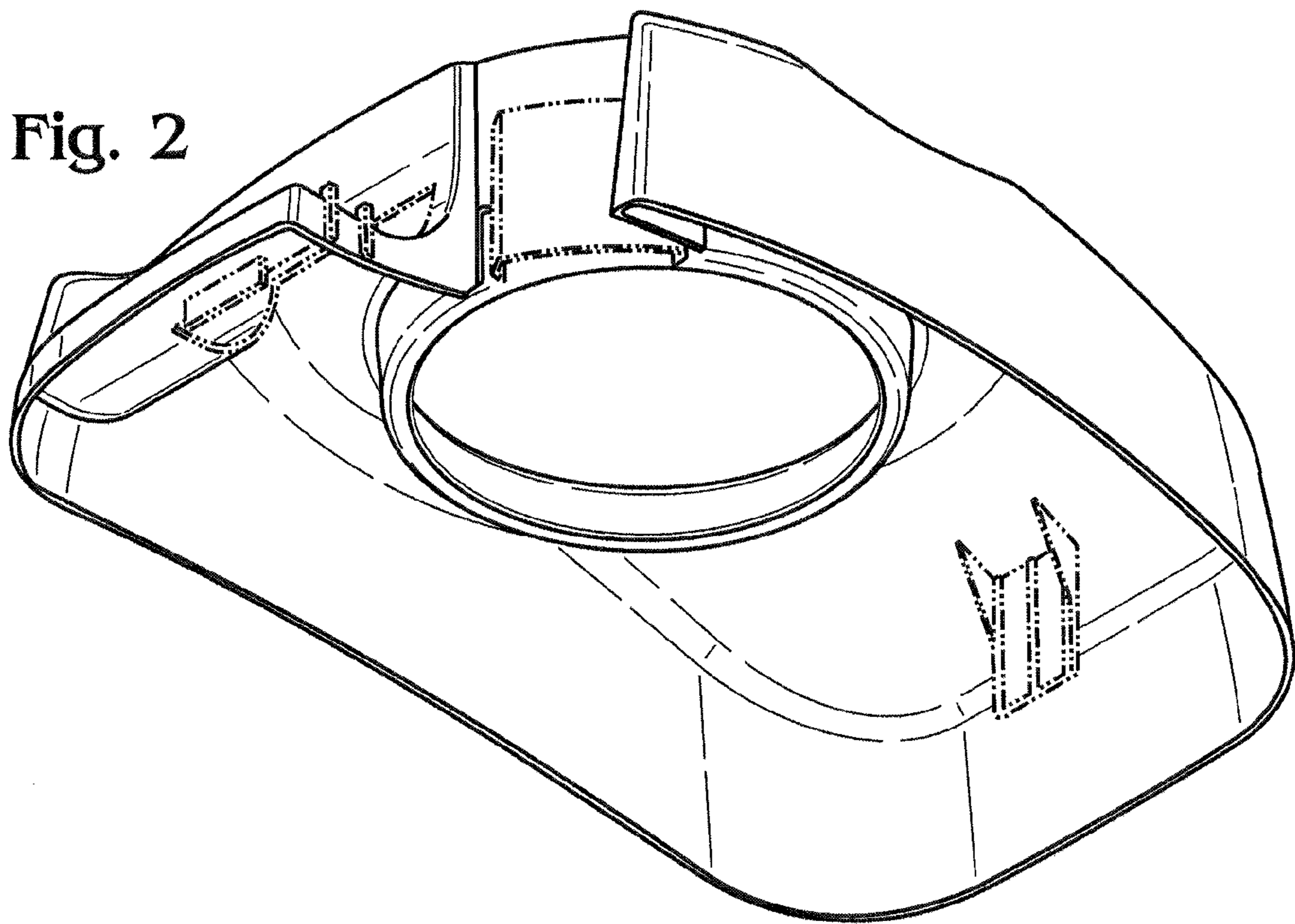


Fig. 3

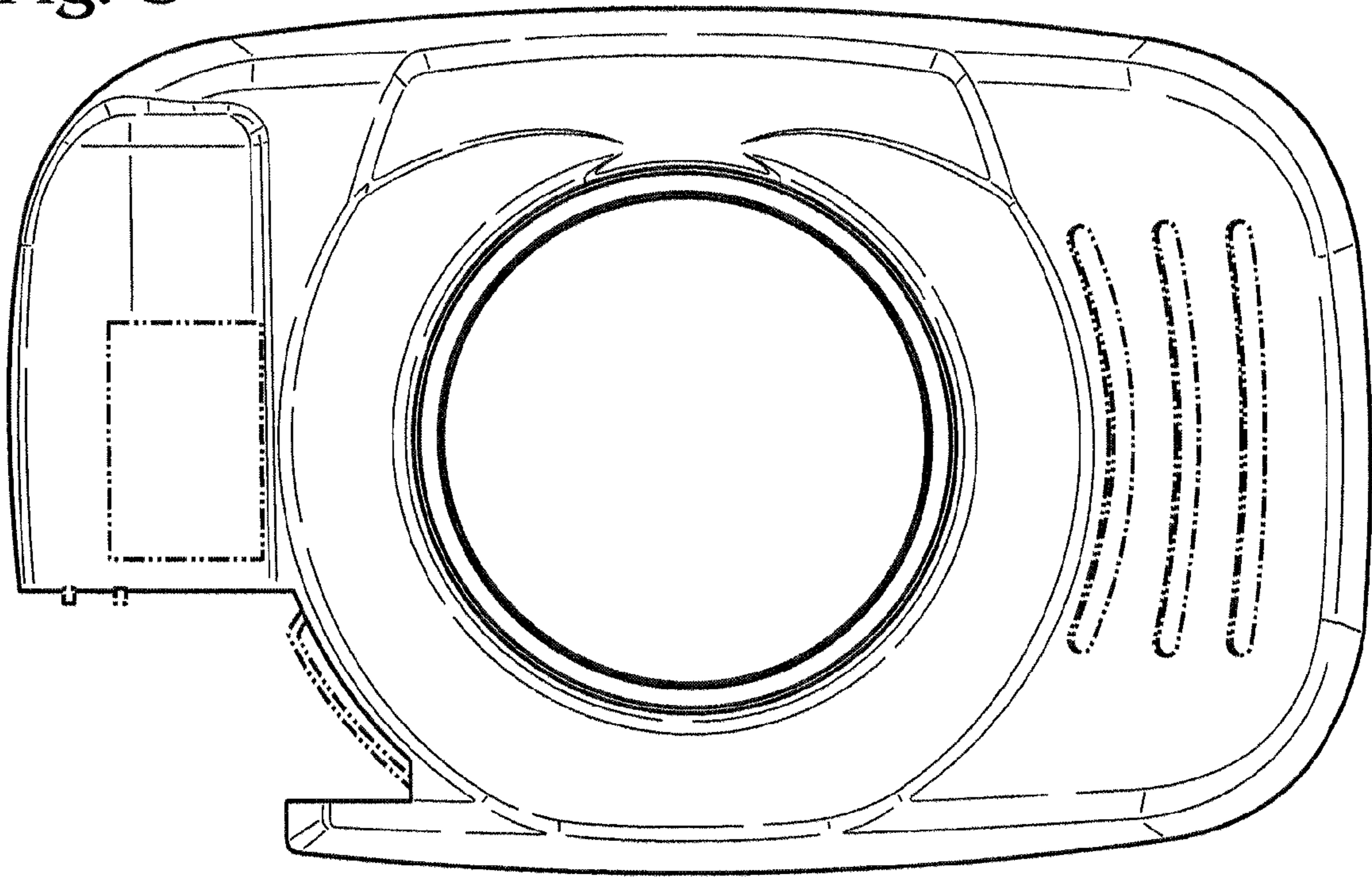


Fig. 4

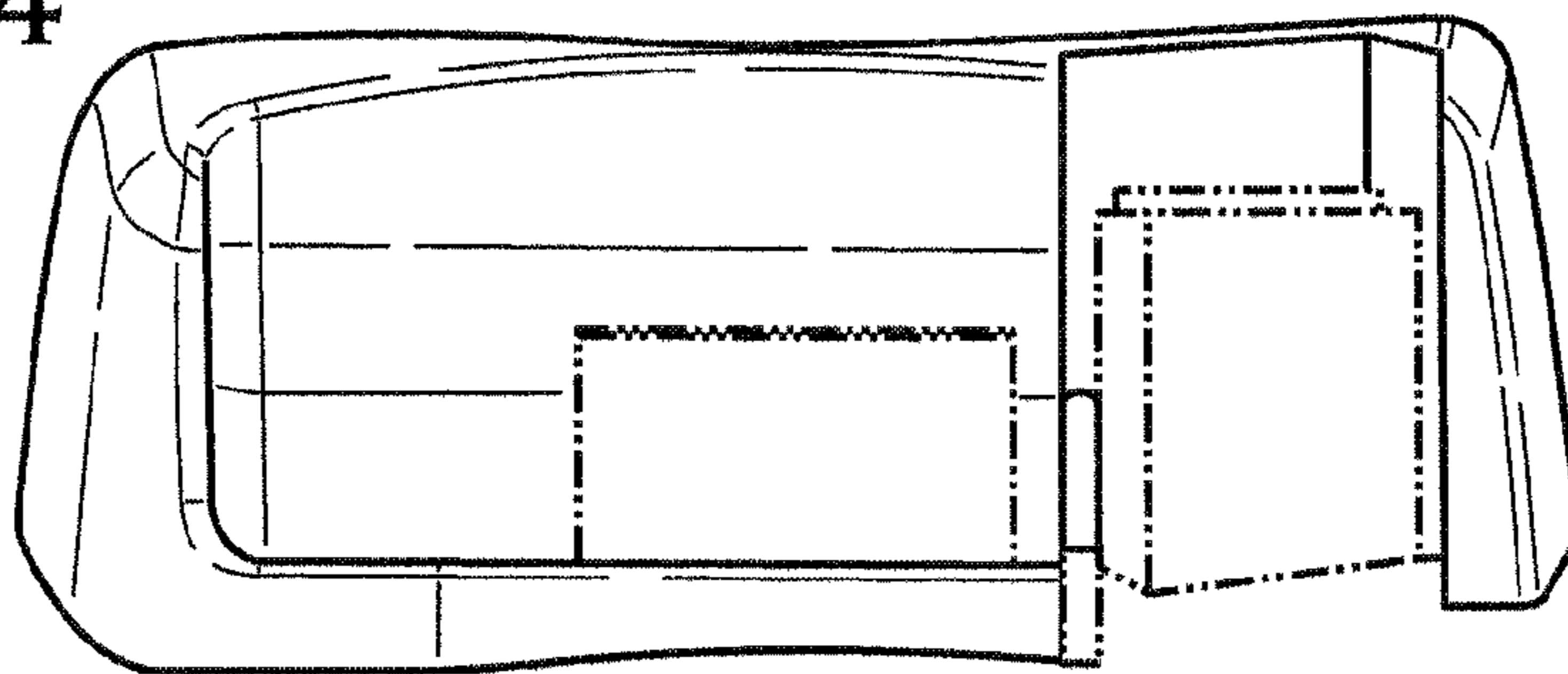


Fig. 5

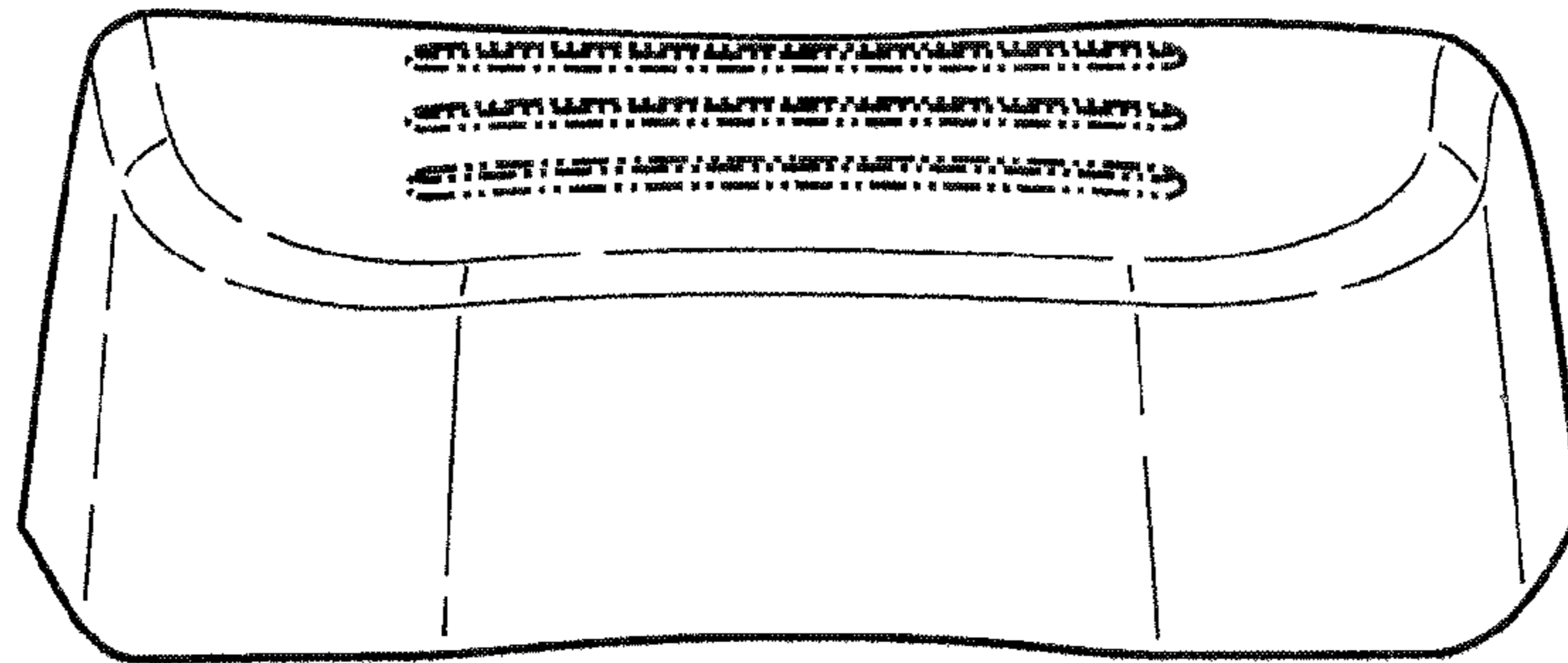


Fig. 6

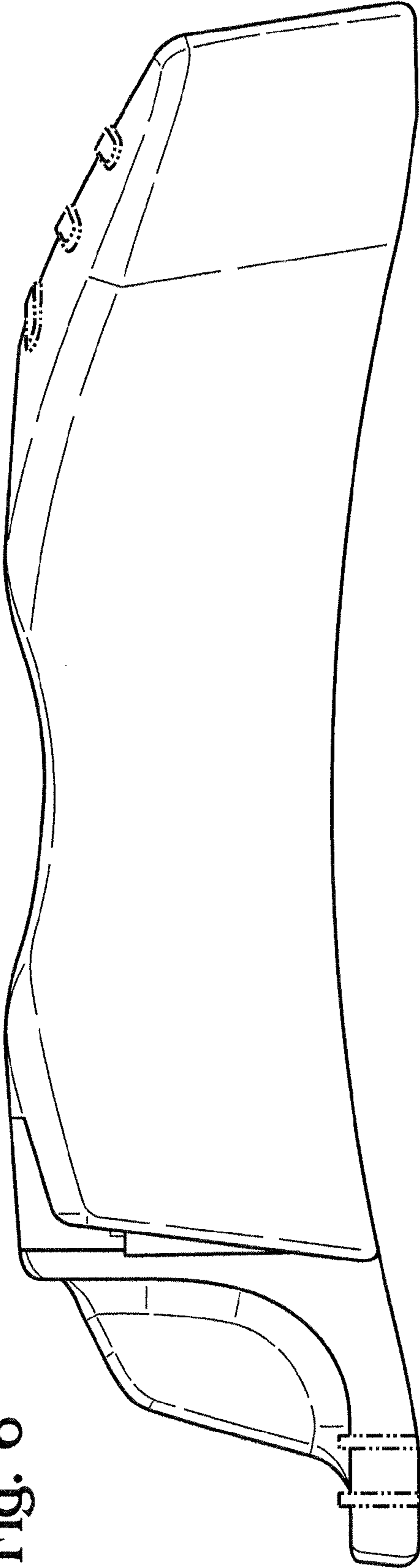


Fig. 7

