

US00D593856S

(12) **United States Design Patent**
Kubler

(10) **Patent No.:** **US D593,856 S**
(45) **Date of Patent:** **** Jun. 9, 2009**

(54) **BOTTLE CAP RETAINER**

(76) Inventor: **Kenneth Kubler**, 134 Walter Ave.,
Hasbrouck Heights, NJ (US) 07604

(**) Term: **14 Years**

(21) Appl. No.: **29/271,985**

(22) Filed: **Jan. 30, 2007**

(51) **LOC (9) Cl.** **09-07**

(52) **U.S. Cl.** **D9/446; D9/454**

(58) **Field of Classification Search** D9/455,
D9/453, 452, 445, 444, 443, 438, 436, 435,
D9/434; D7/624.3, 624.2, 622, 619.1, 608,
D7/607, 392.1; 220/903, 780; 215/352,
215/328, 256, 253, 252, 243, 237, 228, 223
See application file for complete search history.

(56) **References Cited**

U.S. PATENT DOCUMENTS

389,954	A *	9/1888	Cheswright	215/256
1,712,102	A *	5/1929	Carvalho	215/256
3,873,018	A *	3/1975	Donnay	215/256
3,904,062	A *	9/1975	Grussen	215/252
4,557,393	A *	12/1985	Boik	215/253
4,805,792	A *	2/1989	Lecinski, Jr.	215/253
D340,412	S *	10/1993	Smith	D9/435
5,944,207	A	8/1999	Reidenbach		
6,264,051	B1	7/2001	Reidenbach		

6,588,622	B1	7/2003	Leishman		
D517,408	S *	3/2006	Gonzalez	D9/438
2003/0066815	A1 *	4/2003	Lucas	215/253

* cited by examiner

Primary Examiner—Susan Bennett Hattan

(57) **CLAIM**

The ornamental design for a bottle cap retainer, as shown and described.

DESCRIPTION

FIG. 1 is a front elevational view of a bottle cap retainer in a locked position of use;

FIG. 2 is a front elevational view showing the invention at an unlocked position;

FIG. 3 is a front elevational view showing the invention separated from the beverage bottle;

FIG. 4 is a top plan view of FIG. 1;

FIG. 5 is a top plan view of FIG. 2;

FIG. 6 is a rear elevational view of FIG. 1; and,

FIG. 7 is a rear elevational view of FIG. 2.

The broken lines in the drawings showing a bottle depict environmental subject matter only and form no part of the claimed design.

1 Claim, 7 Drawing Sheets

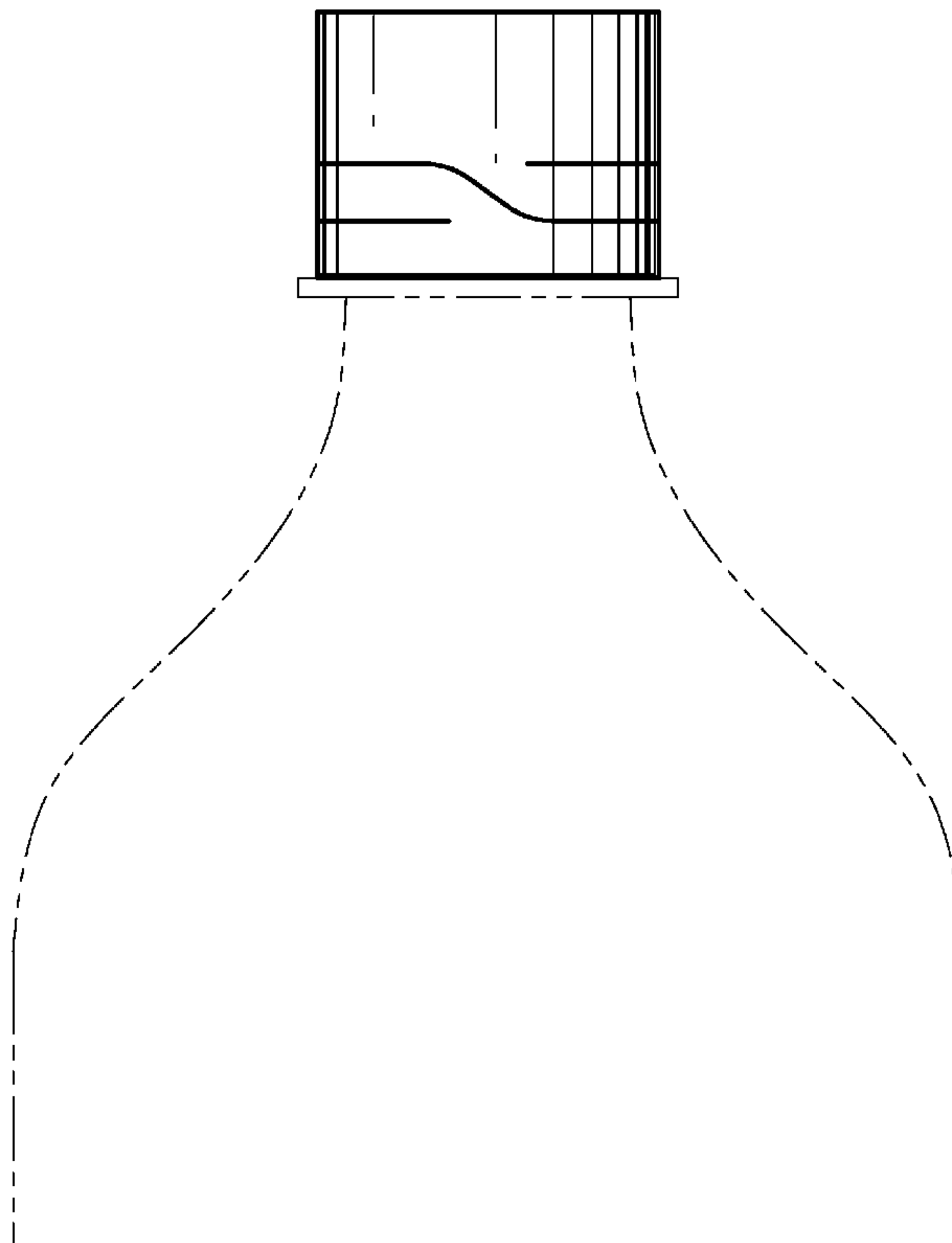


FIG. 1

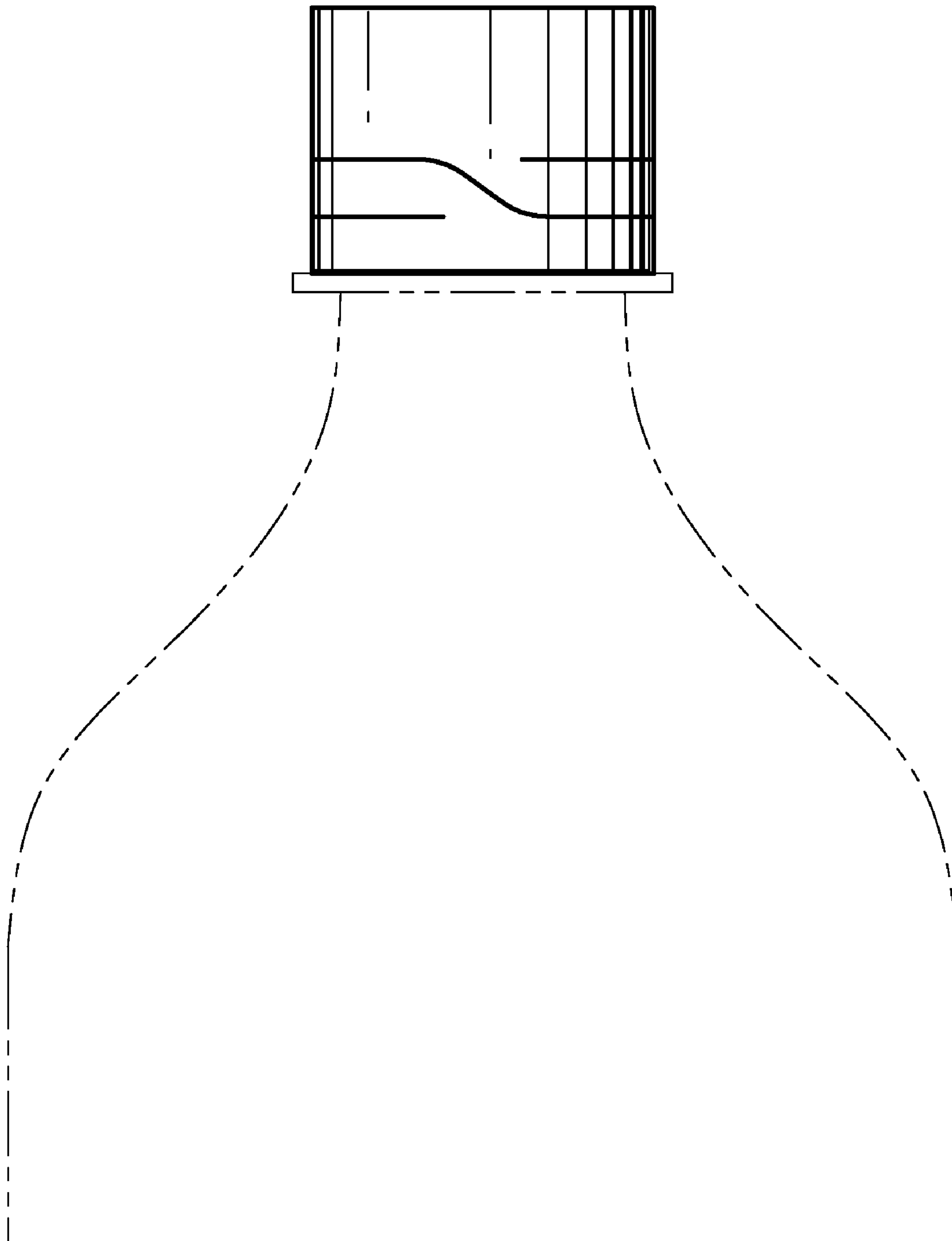


FIG. 2

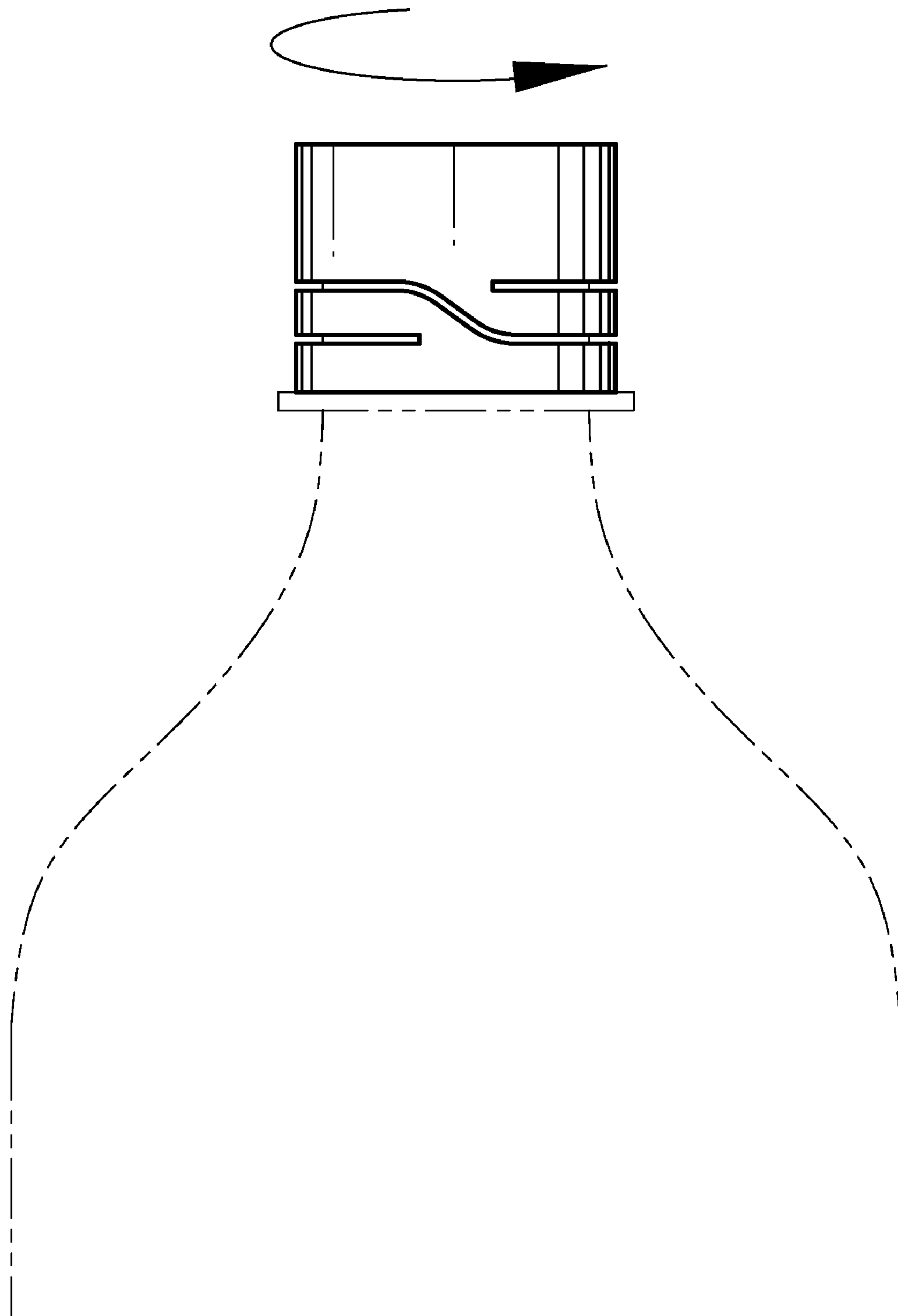
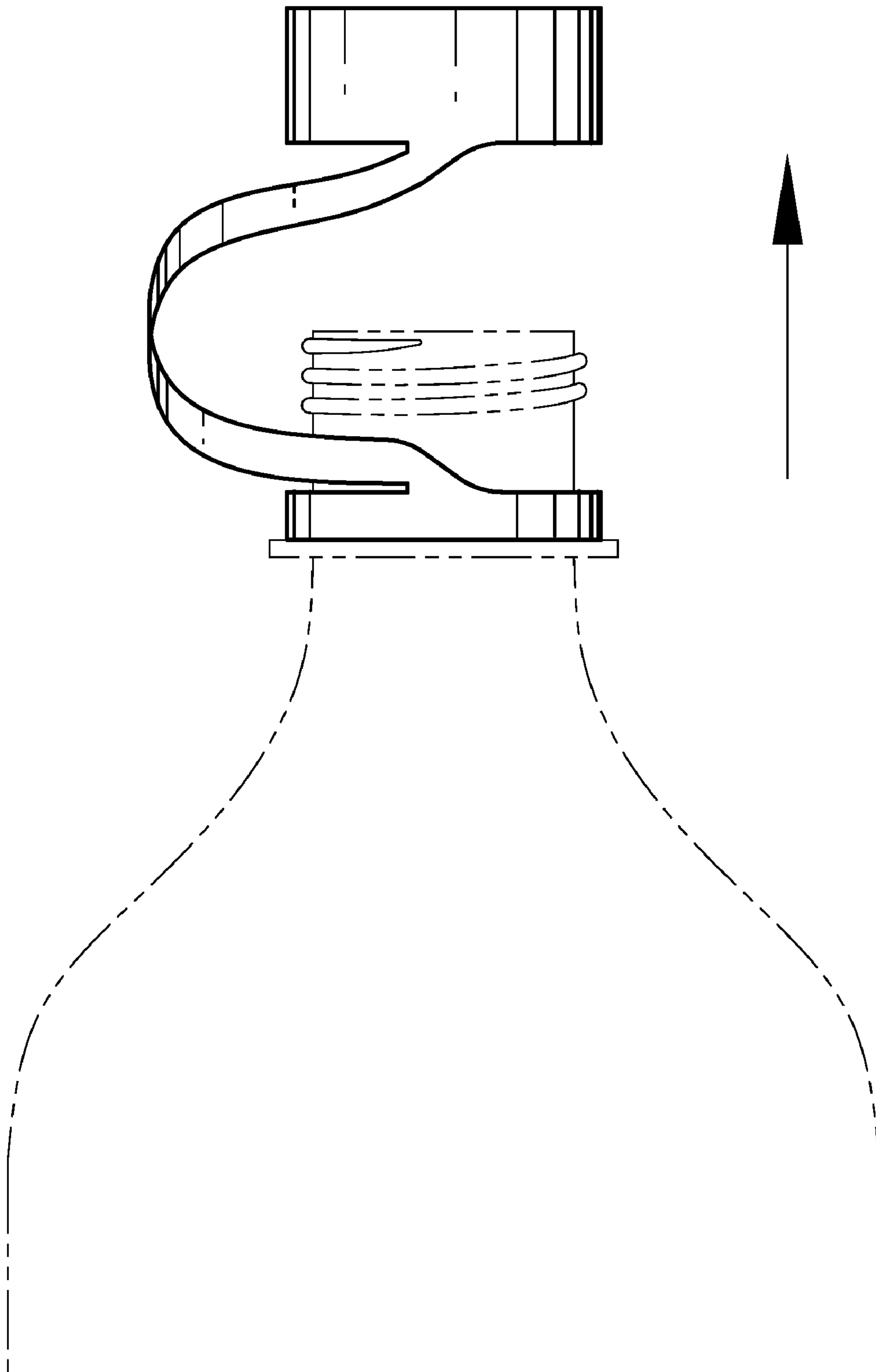


FIG. 3



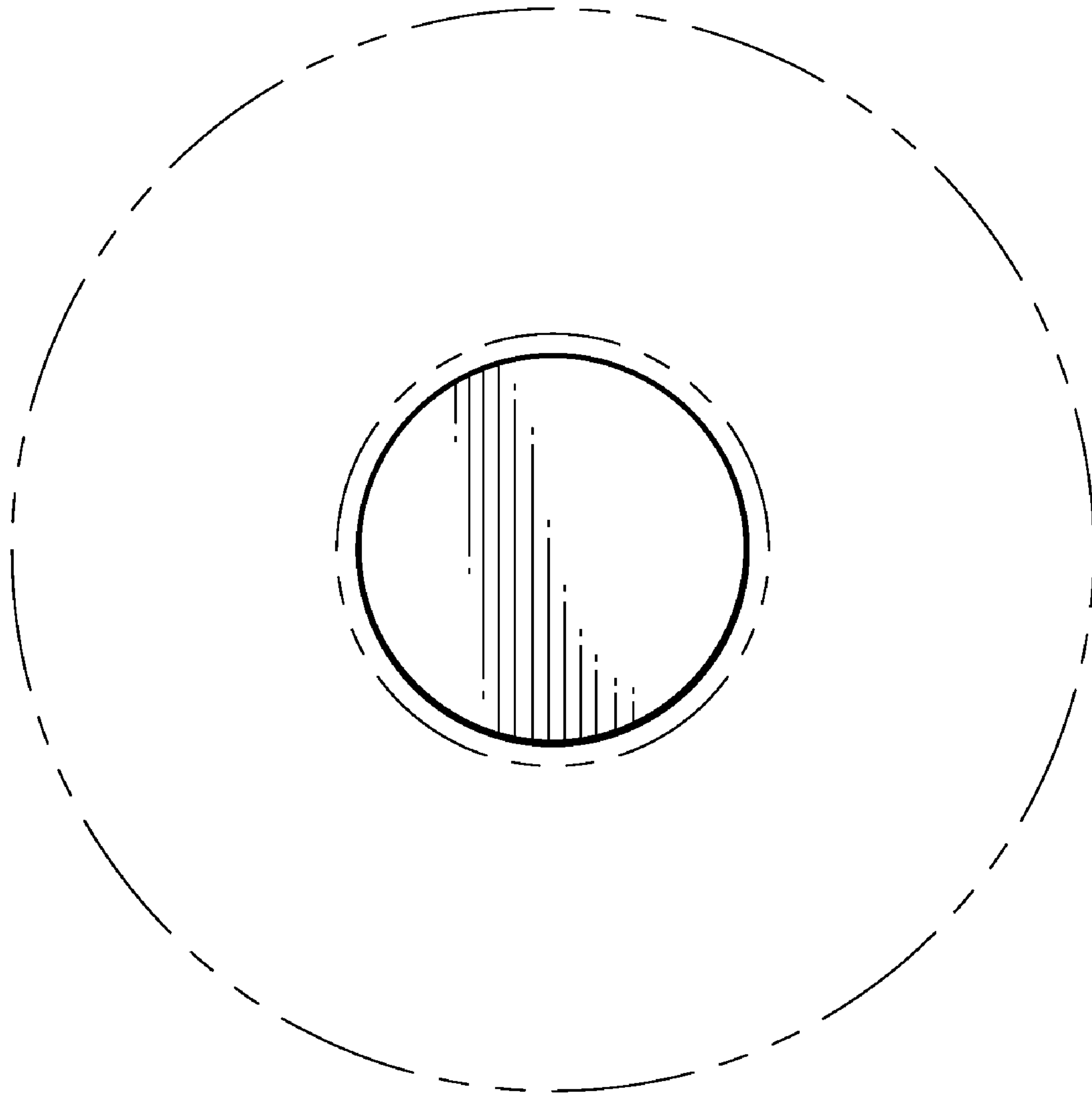


FIG. 4

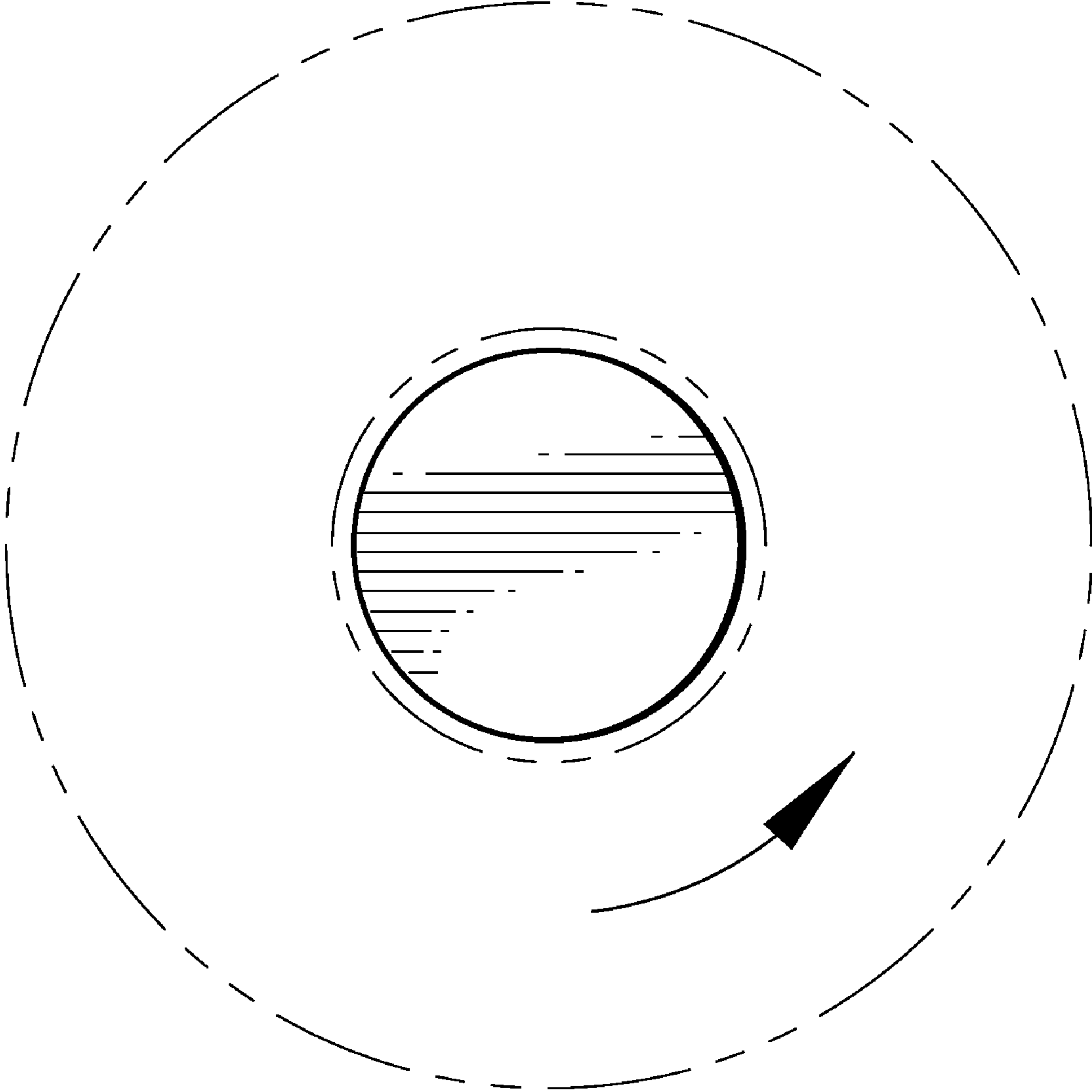


FIG. 5

FIG. 6

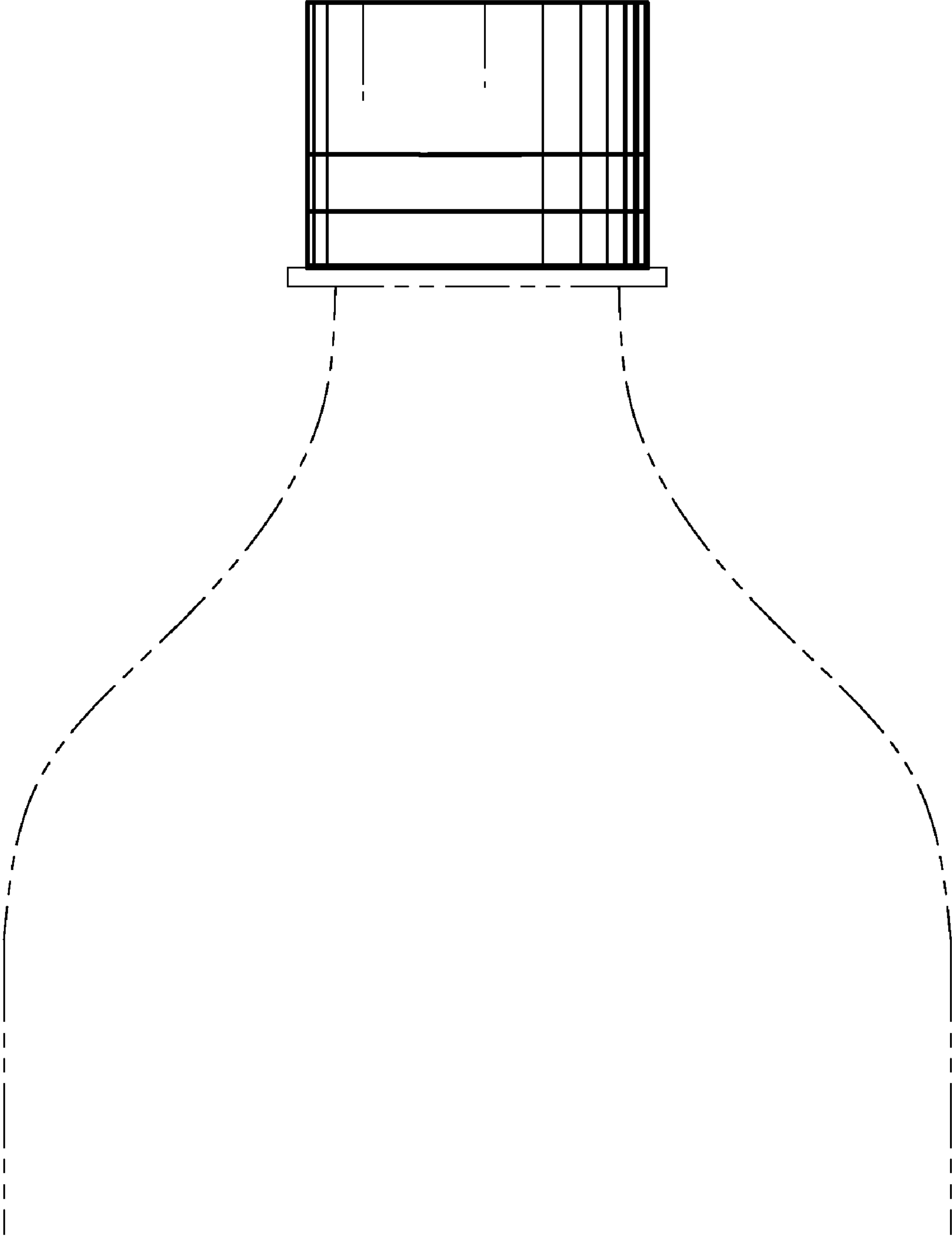


FIG. 7

