

US00D593855S

(12) **United States Design Patent**  
**Scheve**

(10) **Patent No.:** **US D593,855 S**  
(45) **Date of Patent:** **\*\* Jun. 9, 2009**

(54) **RECESSED CONTAINER LID**

(76) Inventor: **Jody A. Scheve**, 8504 Tammarron Dr.,  
Charlotte, NC (US) 28277

(\*\*) Term: **14 Years**

(21) Appl. No.: **29/313,031**

(22) Filed: **Dec. 1, 2008**

**Related U.S. Application Data**

(63) Continuation-in-part of application No. 29/307,996,  
filed on May 22, 2008, now Pat. No. Des. 581,786.

(51) **LOC (9) Cl.** ..... **09-07**

(52) **U.S. Cl.** ..... **D9/435**

(58) **Field of Classification Search** ..... D9/694,  
D9/573, 560, 554, 529, 504, 503, 502, 456,  
D9/454, 453, 451, 447, 445, 444, 435, 432,  
D9/428, 425, 424, 418; D7/629, 396.2, 396.1,  
D7/300; D3/323; D28/91, 82, 8.1; D26/6,  
D26/23, 20; 431/291; 222/270, 142.9, 792,  
222/266, 226, 212; 217/11; 206/520, 519,  
206/508, 505

See application file for complete search history.

(56) **References Cited**

**U.S. PATENT DOCUMENTS**

- D211,272 S \* 6/1968 Stageberg ..... D7/354
- D213,898 S 4/1969 Monaco et al.
- D255,527 S 6/1980 Seager
- D256,557 S \* 8/1980 Ikushima et al. .... D9/425
- 4,520,633 A 6/1985 Hoydic
- D287,803 S \* 1/1987 Daenen et al. .... D7/392.1
- D289,719 S \* 5/1987 Daenen et al. .... D7/392.1
- D311,334 S \* 10/1990 Flynn et al. .... D9/424
- 5,065,923 A 11/1991 Hoefler et al.
- D330,660 S \* 11/1992 Newton et al. .... D7/392.1
- 5,307,647 A 5/1994 McClure
- D358,328 S \* 5/1995 Huerto et al. .... D9/435
- D358,767 S 5/1995 Berggren
- D363,644 S 10/1995 Wyatt et al.

- D368,162 S \* 3/1996 Miller ..... D3/323
- D376,693 S \* 12/1996 Wolff ..... D3/323
- 5,701,757 A 12/1997 Heverly
- D403,582 S 1/1999 Nask et al.
- D403,583 S 1/1999 Nask et al.
- D420,252 S \* 2/2000 Loew et al. .... D7/392.1

(Continued)

**OTHER PUBLICATIONS**

<http://www.thesundancecompany.com/>; Chill Out & About®;  
Internet Advertisement; The Sundance Co., LLC; published prior to  
Dec. 1, 2008, 2 pages.

*Primary Examiner*—Susan Bennett Hattan

(74) *Attorney, Agent, or Firm*—Schwartz Law Firm, P.C.

(57) **CLAIM**

I claim the ornamental design for a recessed container lid, as  
shown and described.

**DESCRIPTION**

FIG. 1 is a perspective view of the recessed container lid  
according to the present design, and showing the design used  
in combination with a large outside container and a smaller  
inside container in phantom; the outside and inside containers  
forming no part of the claimed design;

FIG. 2 is an environmental view of the recessed container lid,  
stacked together with a large outside container and a smaller  
inside container, both the outside and inside containers shown  
in phantom and forming no part of the claimed design;

FIG. 3 is a top view of the recessed container lid;

FIG. 4 is a bottom view of the recessed container lid;

FIG. 5 is a front view of the recessed container lid;

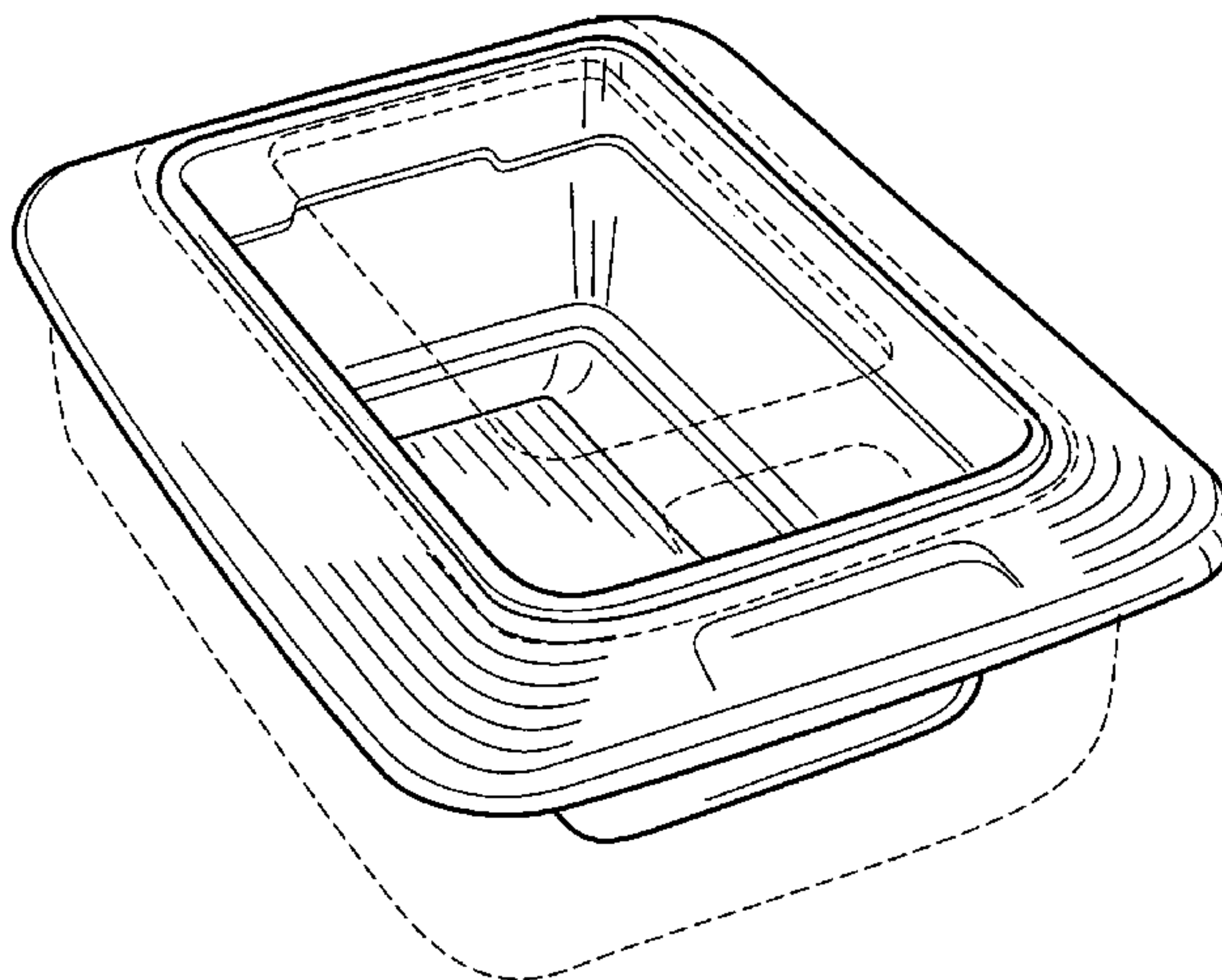
FIG. 6 is a back view of the recessed container lid;

FIG. 7 is a right side view of the recessed container lid;

FIG. 8 is a left side view of the recessed container lid; and,

FIG. 9 is a bottom perspective view of the recessed container  
lid.

**1 Claim, 6 Drawing Sheets**



# US D593,855 S

Page 2

---

## U.S. PATENT DOCUMENTS

6,244,065 B1	6/2001	Wuestman	
6,378,325 B1	4/2002	Yang	
D501,754 S *	2/2005	Munson et al.	..... D7/392.1
D522,858 S	6/2006	Snedden et al.	
D536,923 S	2/2007	Roth et al.	
D540,669 S	4/2007	George et al.	
D562,624 S	2/2008	Kortleven	
D572,087 S *	7/2008	Kim .....	D7/629
D573,846 S *	7/2008	Moghavem .....	D7/629
D586,179 S *	2/2009	Furlong .....	D7/392.1

\* cited by examiner

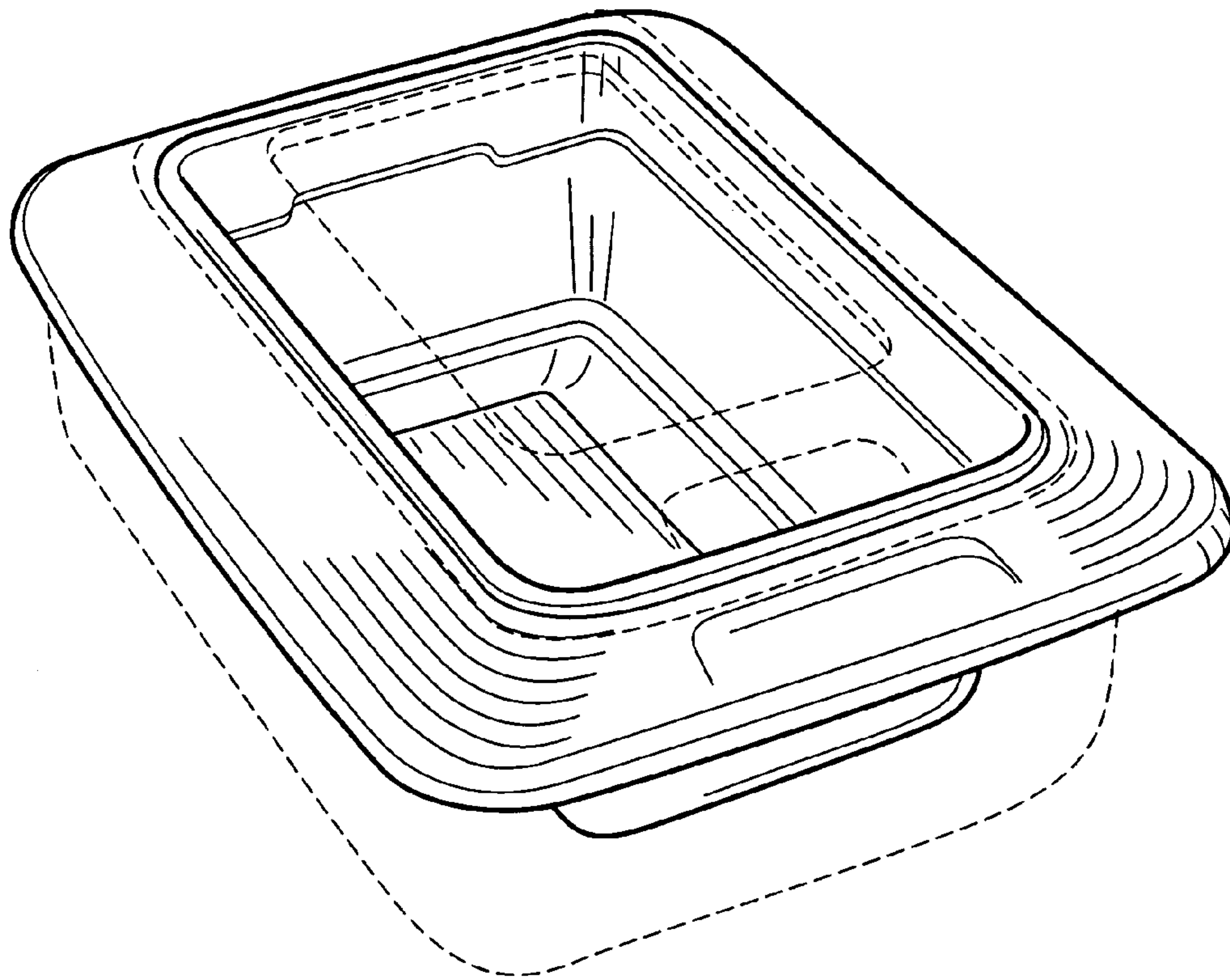


Fig. 1

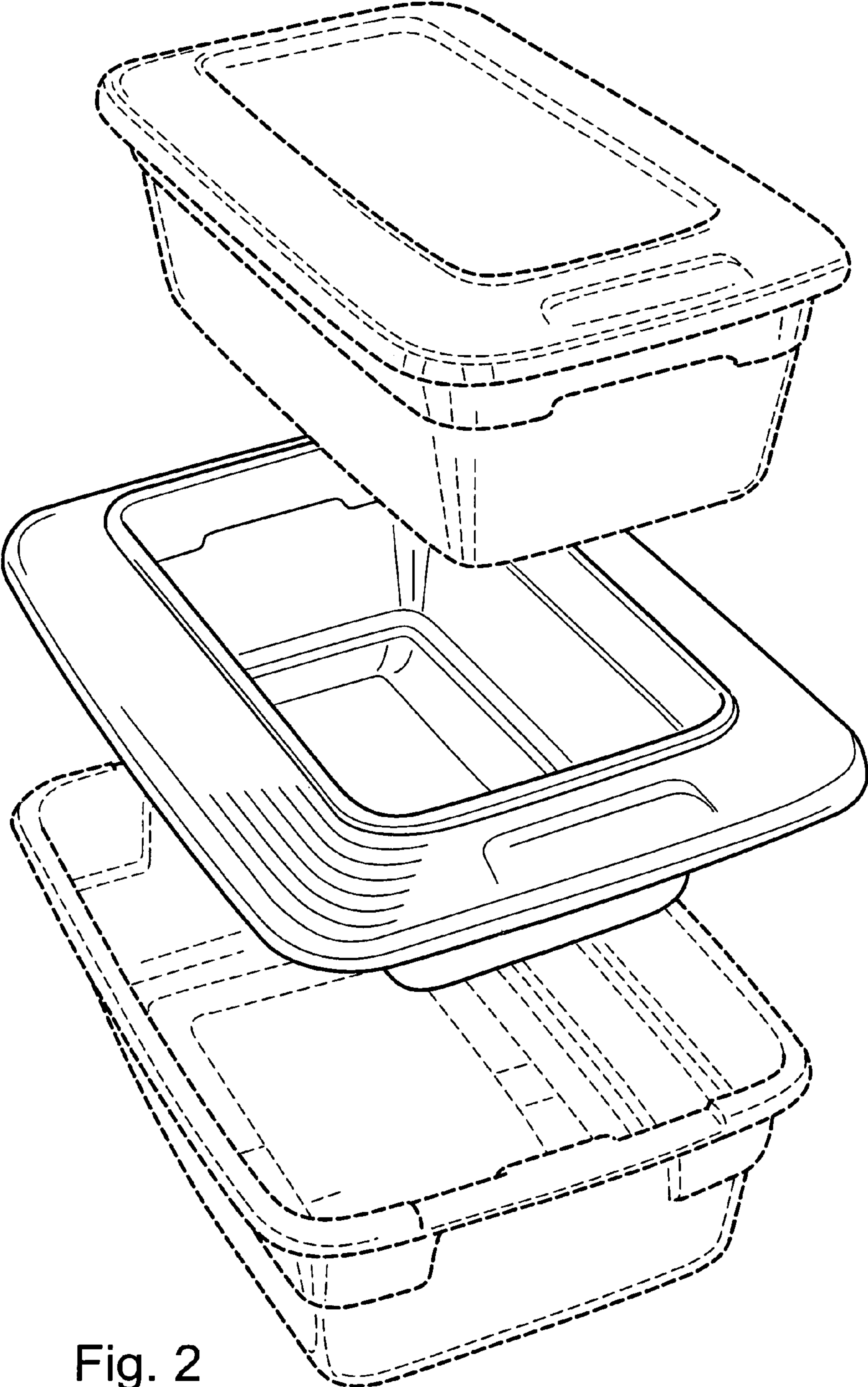


Fig. 2



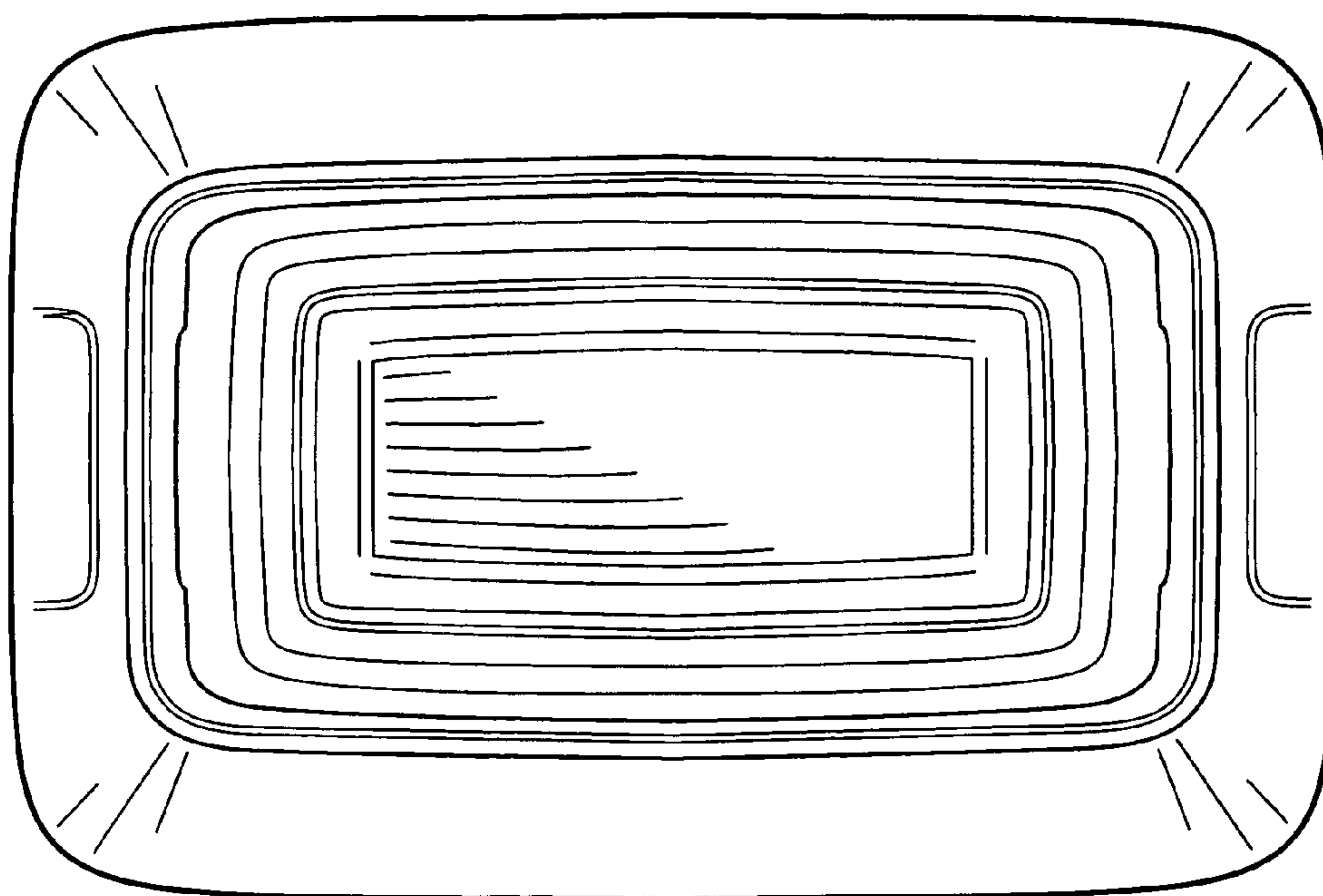


Fig. 3

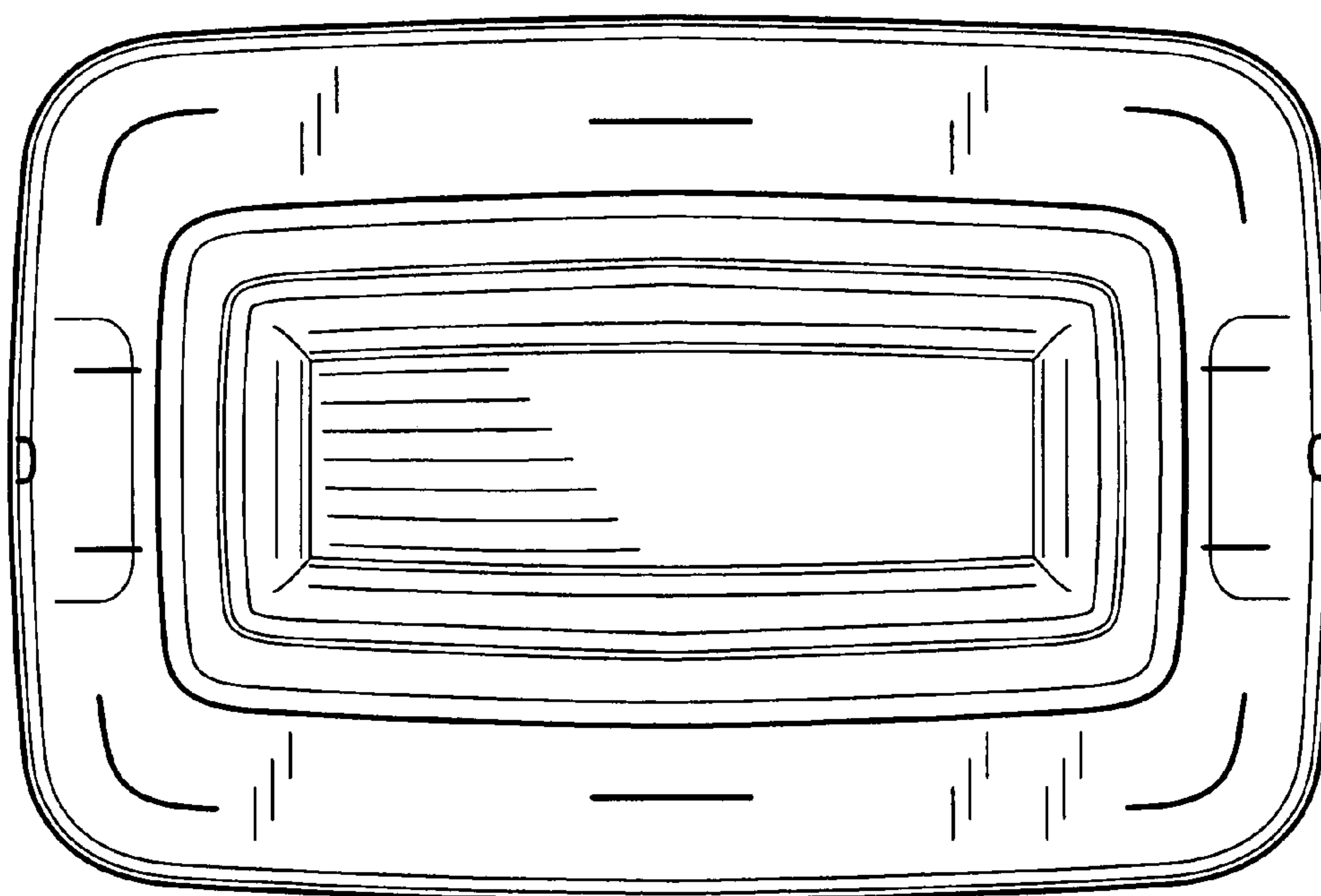


Fig. 4

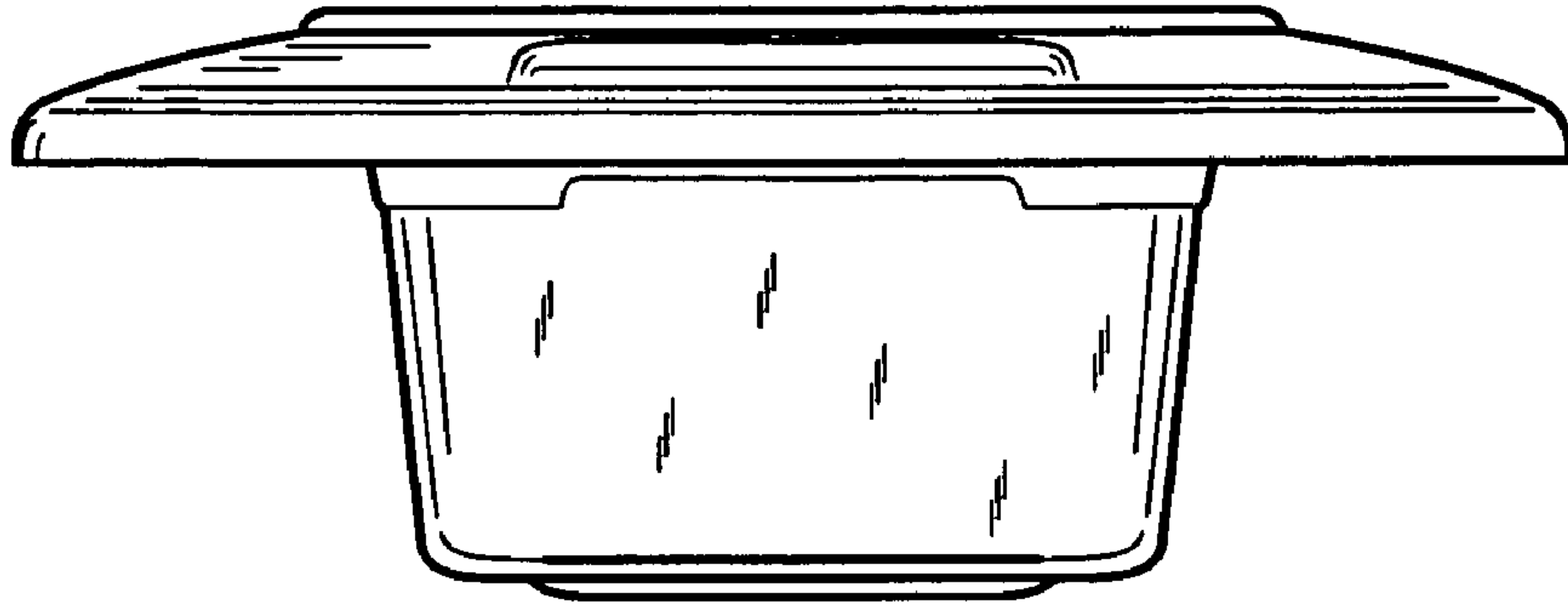


Fig. 5

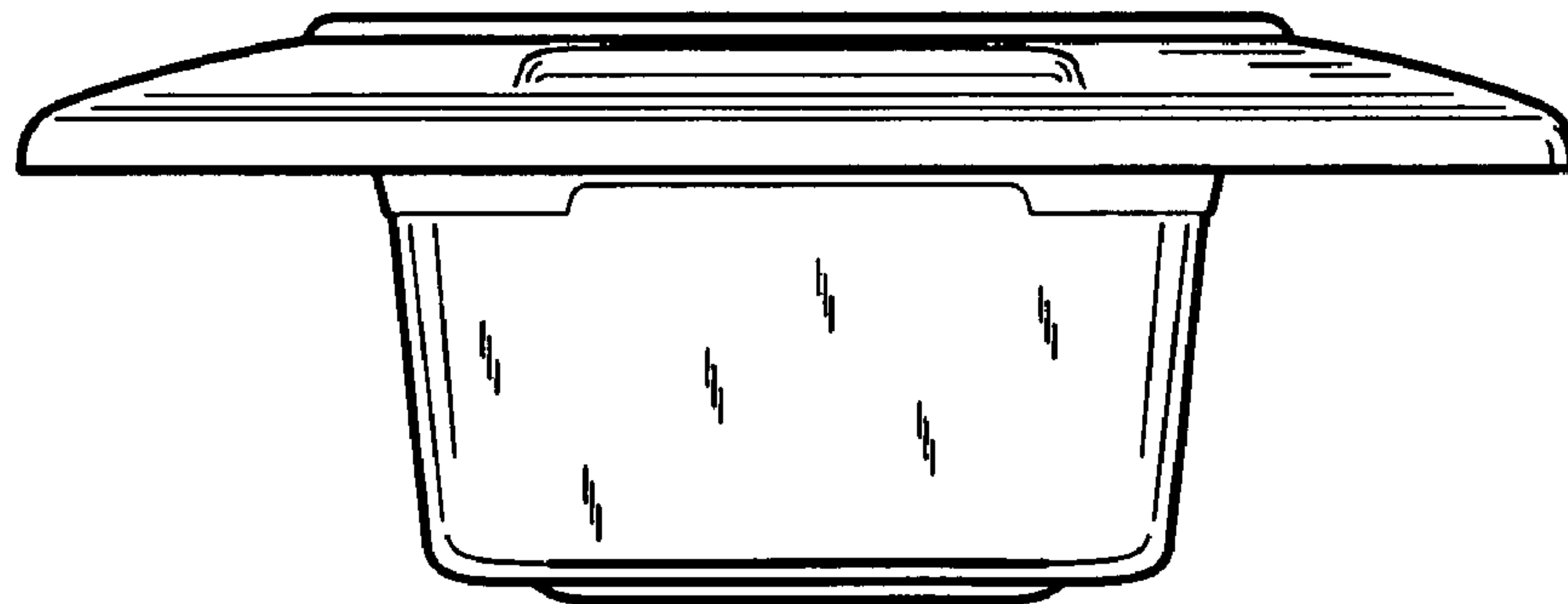


Fig. 6

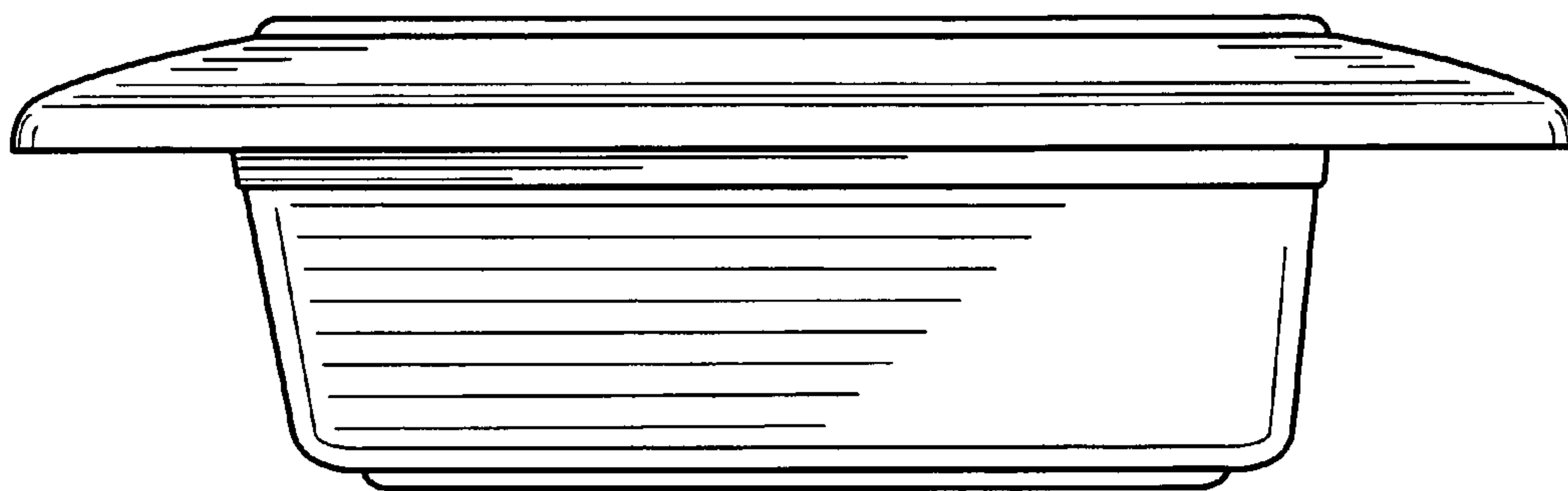


Fig. 7

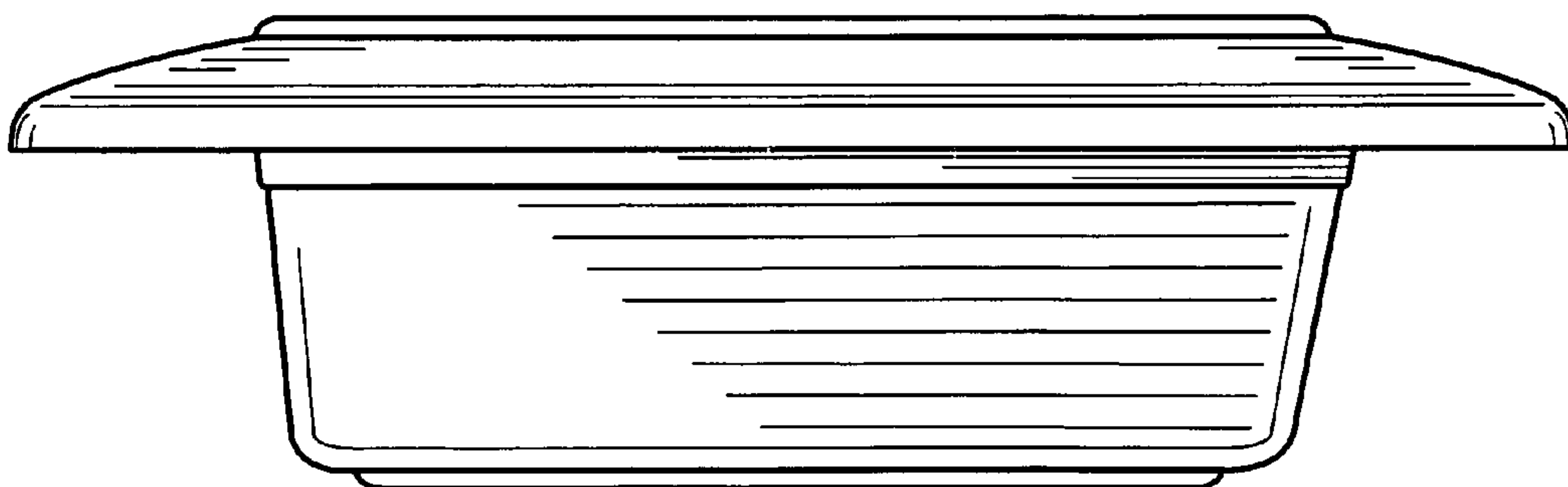


Fig. 8

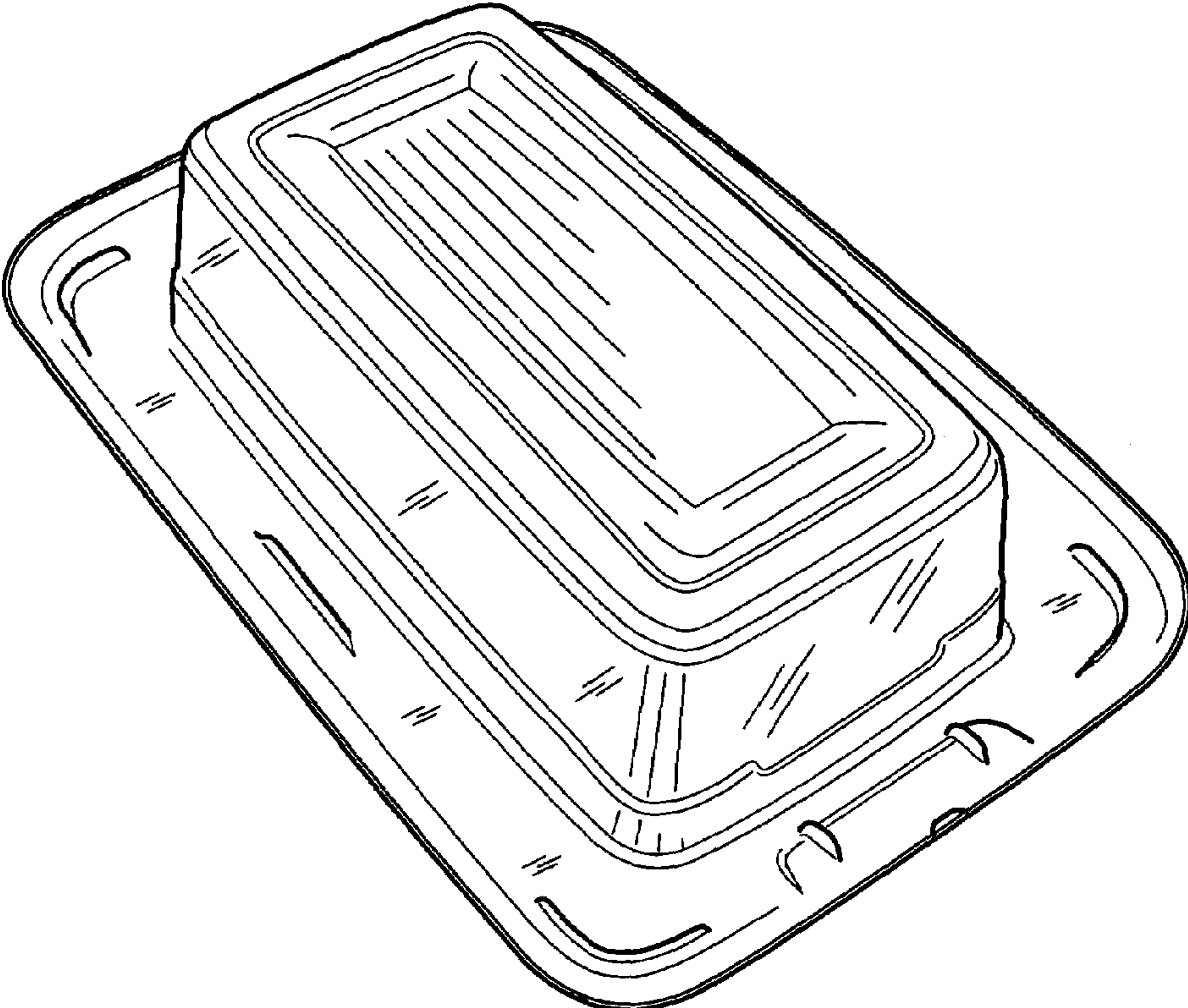


Fig. 9