



US00D593854S

(12) **United States Design Patent**
Casanova et al.

(10) **Patent No.:** **US D593,854 S**
(45) **Date of Patent:** **** Jun. 9, 2009**

(54) **BATTERY PACKAGE**

5,803,254 A * 9/1998 Vasudeva 206/373
5,849,378 A 12/1998 Gask

(75) Inventors: **Julio C. Casanova**, Avon Lake, OH (US); **Cari Michelle Curtis**, Saint Louis, MO (US); **Mark J. Brennan**, Asheboro, NC (US); **Scott W. Osiecki**, Skaneateles, NY (US); **Mark A. Ferguson**, Memphis, NY (US); **Tyler T. Watson**, Auburn, NY (US)

(Continued)

FOREIGN PATENT DOCUMENTS

EP 711713 3/1999

(73) Assignee: **Eveready Battery Company, Inc.**, St. Louis, MO (US)

(**) Term: **14 Years**

(Continued)

(21) Appl. No.: **29/320,323**

Primary Examiner—Catherine Tuttle
(74) *Attorney, Agent, or Firm*—Russell H. Toye, Jr.

(22) Filed: **Jun. 25, 2008**

(57) **CLAIM**

(51) **LOC (9) Cl.** **09-03**
(52) **U.S. Cl.** **D9/415**
(58) **Field of Classification Search** D9/722,
D9/737, 756, 759, 414, 415, 416, 418, 424,
D9/425, 426; 206/461–471, 806, 822, 703–705,
206/722–728

We claim the ornamental design for a battery package, as shown and described.

See application file for complete search history.

DESCRIPTION

(56) **References Cited**

U.S. PATENT DOCUMENTS

4,415,084 A 11/1983 Hauser et al.
4,568,017 A 2/1986 Grunert
D291,064 S * 7/1987 Haber et al. D9/415
4,899,882 A 2/1990 Benner
4,930,627 A 6/1990 Borst et al.
4,962,849 A 10/1990 Anderson
5,011,006 A 4/1991 Anderson
5,012,927 A 5/1991 Borst
5,029,705 A * 7/1991 Schmidt et al. 206/705
5,038,936 A 8/1991 Borst
5,147,035 A 9/1992 Hartman
D346,114 S * 4/1994 Winston D9/415
5,311,989 A * 5/1994 Ward et al. 206/705
5,462,161 A 10/1995 Halaburda et al.
5,485,919 A * 1/1996 Samberg et al. 206/461
D393,799 S 4/1998 Pope et al.

FIG. 1 is a perspective view of a battery package showing our new design;

FIG. 2 is a front view shown on a reduced scale relative to FIG. 1;

FIG. 3 is a rear view thereof;

FIG. 4 is a left side view shown on an enlarged scale relative to the preceding figures;

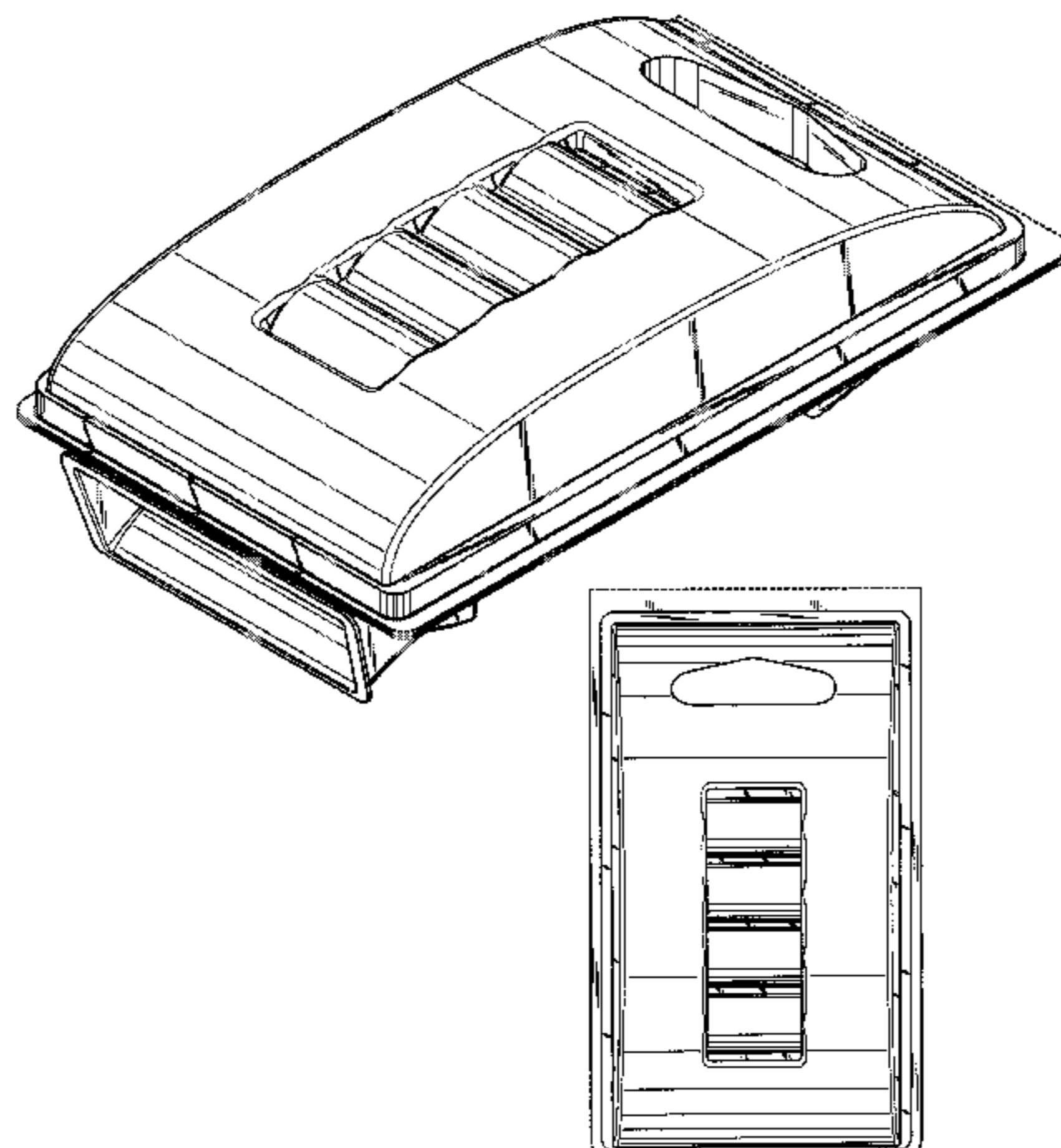
FIG. 5 is a right side view thereof;

FIG. 6 is a top view shown on a further enlarged scale; and,

FIG. 7 is a bottom view thereof.

The broken lines are included for the purpose of illustrating portions of the battery package that form no part of the claimed design.

1 Claim, 5 Drawing Sheets



US D593,854 S

Page 2

U.S. PATENT DOCUMENTS

6,059,101 A 5/2000 Gambardella et al.
6,065,589 A * 5/2000 Ouwens 206/6.1
D432,909 S 10/2000 Pirro et al.
D433,627 S * 11/2000 Vasudeva D9/415
D433,629 S 11/2000 Clarke et al.
6,244,444 B1 6/2001 Jacobus et al.
D450,239 S * 11/2001 Otto D9/415
6,330,945 B1 * 12/2001 Reimer 206/470
6,364,115 B1 4/2002 Casanova et al.
6,382,412 B1 5/2002 Wood
6,401,932 B1 6/2002 Weinstein et al.
6,427,841 B2 8/2002 Wani et al.
6,478,158 B2 11/2002 Gaffney et al.
6,679,630 B2 1/2004 Knoerzer et al.
D489,253 S 5/2004 Kumakura et al.
D494,464 S 8/2004 Kumakura et al.
D497,547 S 10/2004 Kumakura et al.
D499,962 S * 12/2004 Lee et al. D9/722

D501,137 S 1/2005 Fritz et al.
D521,861 S * 5/2006 Lee et al. D9/415
7,287,648 B2 * 10/2007 Foreman et al. 206/703
2001/0008240 A1 7/2001 Herrin
2002/0162771 A1 11/2002 Van Wagenen et al.
2004/0028855 A1 2/2004 Masuki et al.
2004/0214052 A1 10/2004 Rochelo
2006/0000738 A1 1/2006 Kumakura et al.

FOREIGN PATENT DOCUMENTS

GB 2053836 2/1981
GB 2327939 2/1999
GB 2413315 10/2005
GB 2422140 7/2006
JP 8324636 12/1996
JP 11227828 3/1999
JP 2003252332 9/2003

* cited by examiner

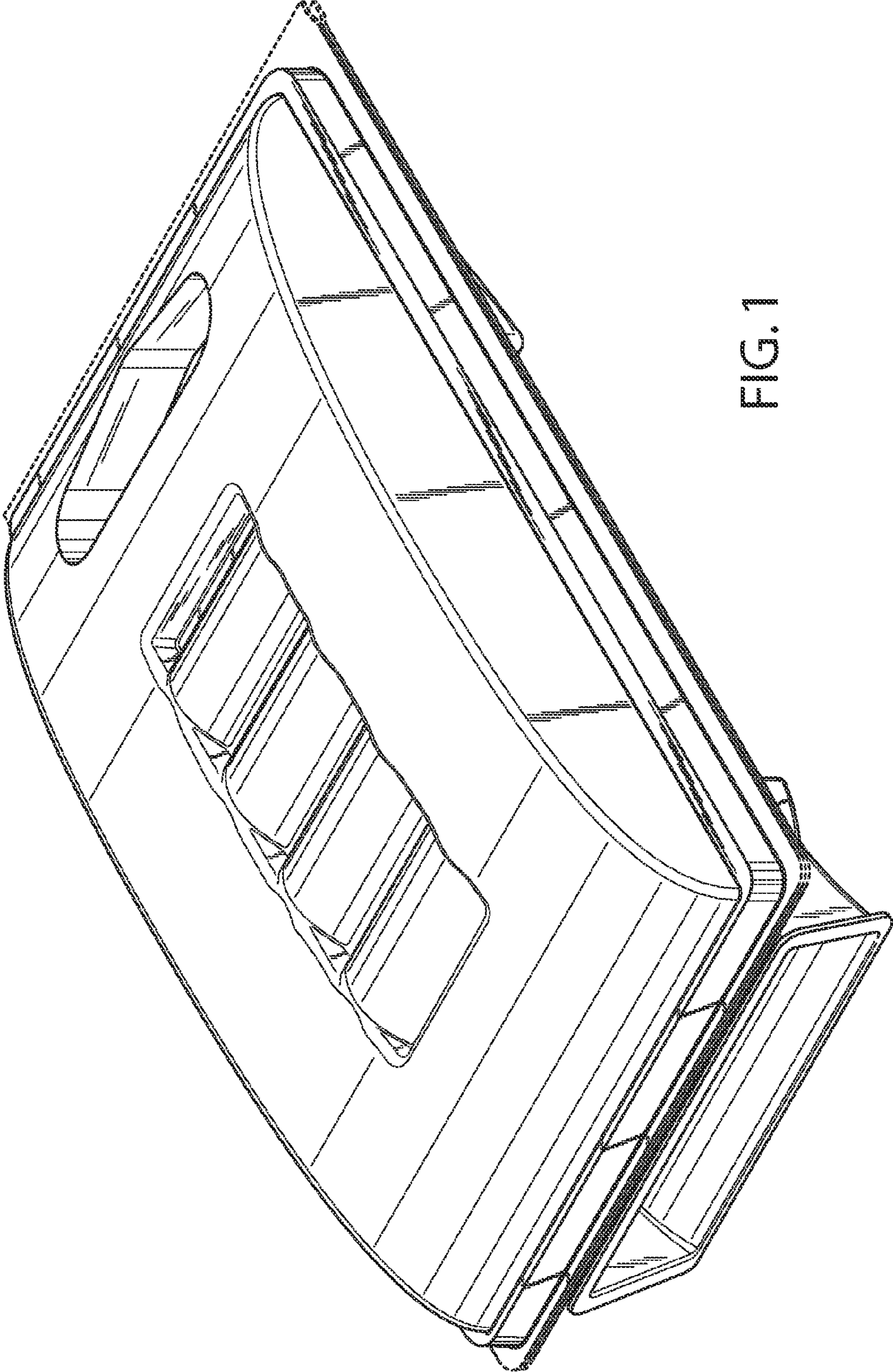


FIG. 1

FIG. 3

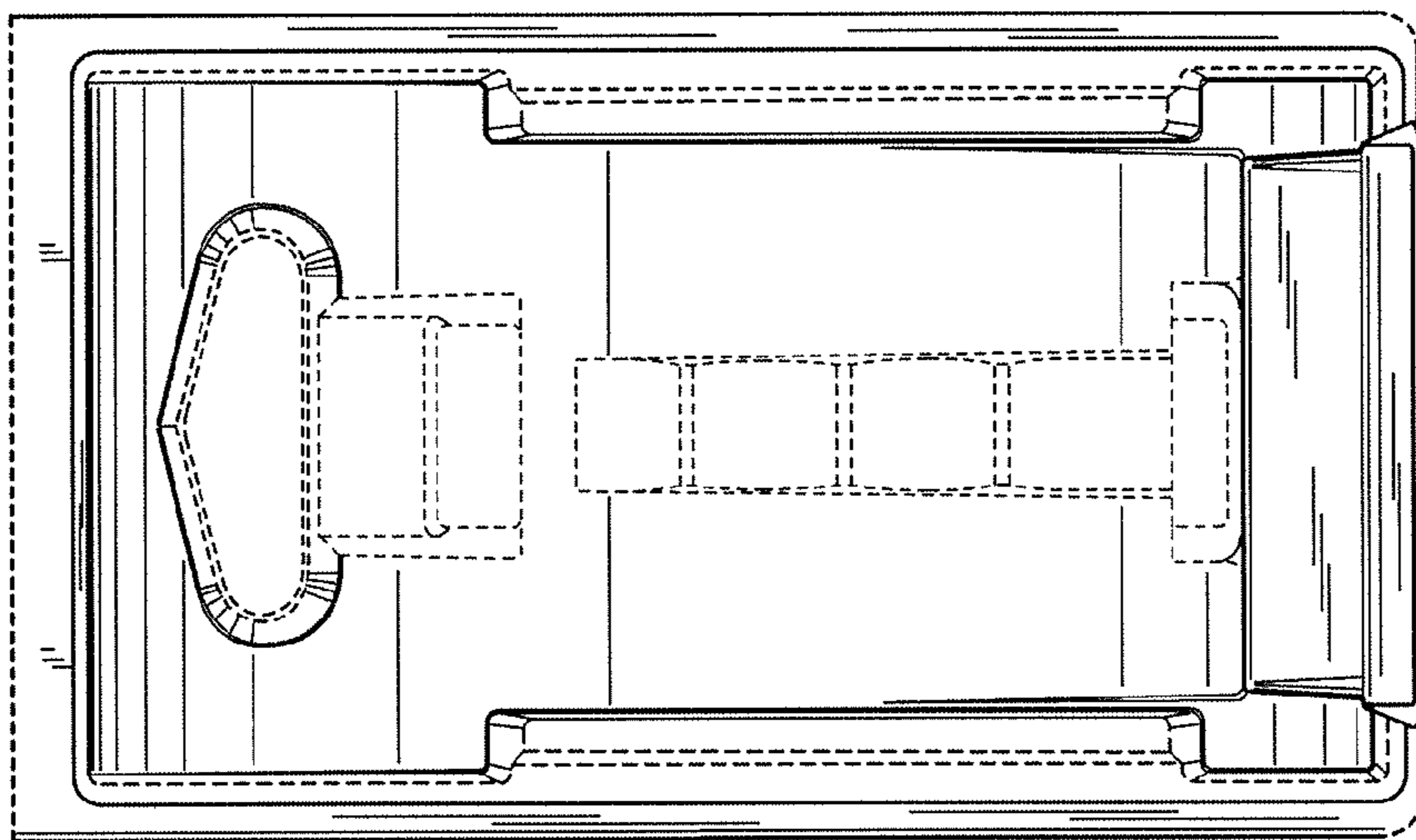
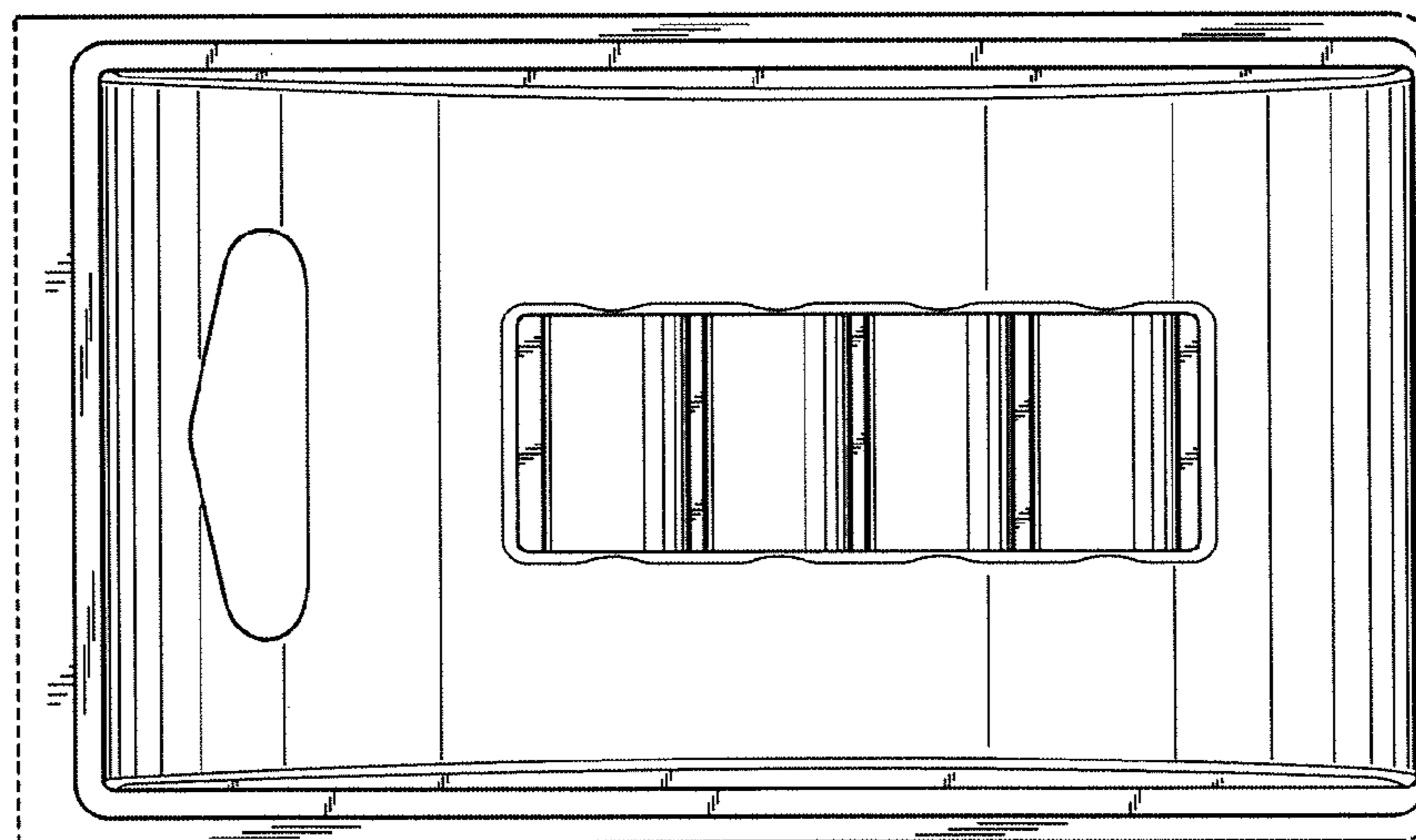


FIG. 2



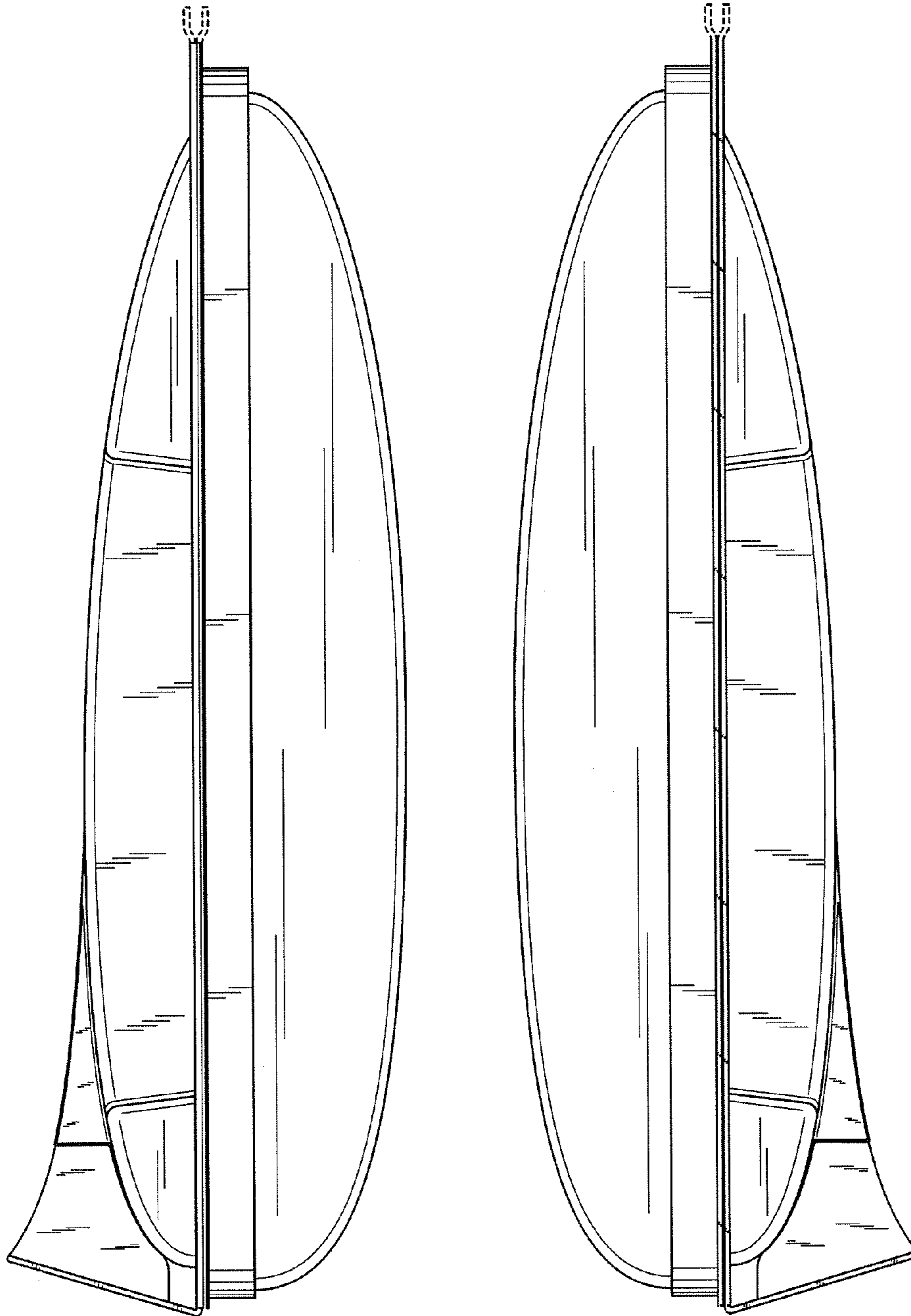


FIG. 4

FIG. 5

FIG. 6

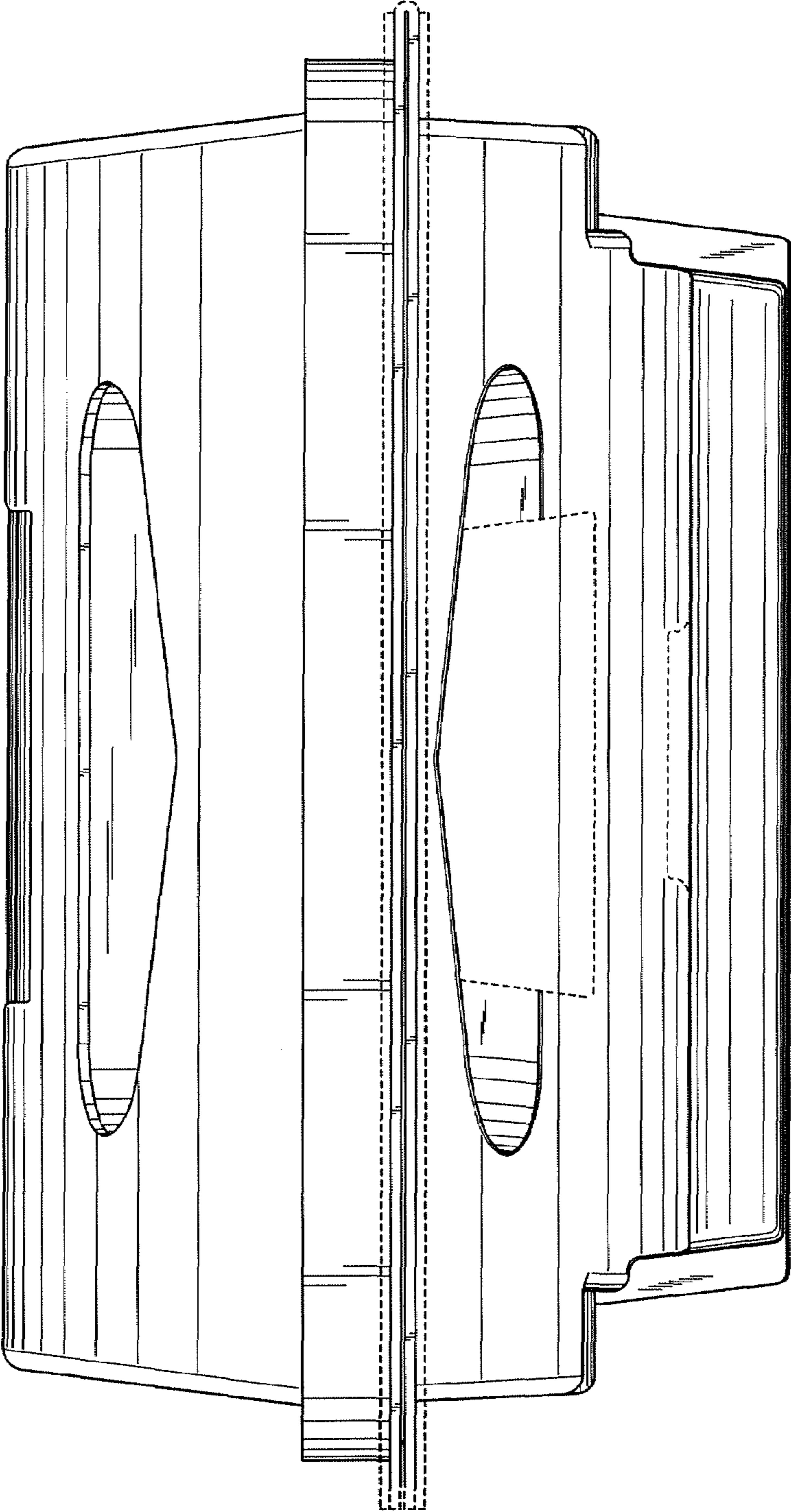


FIG. 7

