



US00D593853S

(12) **United States Design Patent**  
**Sorrentino et al.**

(10) **Patent No.:** **US D593,853 S**  
(45) **Date of Patent:** **\*\* Jun. 9, 2009**

(54) **MULTIPLE PRODUCT PACKAGE**  
(75) Inventors: **Alan Sorrentino**, Cranbury, NJ (US);  
**Robert Moskovich**, East Brunswick, NJ  
(US); **Kiat-Cheong Toh**, Forest Hills,  
NY (US); **Frank Hom**, Wayne, NJ (US)

D346,114 S 4/1994 Winston  
5,447,232 A 9/1995 Chow  
D365,984 S 1/1996 Hofmann  
D425,414 S \* 5/2000 Baker et al. .... D9/415  
D439,158 S \* 3/2001 Forakis ..... D9/418  
6,364,115 B1 4/2002 Casanova et al.

(73) Assignee: **Colgate-Palmolive Company**, New  
York, NY (US)

(Continued)  
*Primary Examiner*—Stella M Reid  
*Assistant Examiner*—Mark A Goodwin  
(74) *Attorney, Agent, or Firm*—Amy M. Fernandez

(\*\*) Term: **14 Years**

(21) Appl. No.: **29/320,248**

(57) **CLAIM**

(22) Filed: **Jun. 24, 2008**

The ornamental design for a multiple product package, as shown and described.

(51) **LOC (9) Cl.** ..... **09-03**

**DESCRIPTION**

(52) **U.S. Cl.** ..... **D9/415**; D9/756; D9/424;  
D9/425; D9/418

FIG. 1 is a perspective view of the multiple product package of our design.

(58) **Field of Classification Search** ..... D9/756,  
D9/757, 761, 762, 737, 759, 420-426, 429,  
D9/414, 415, 418; 220/835, 608, 653, 669,  
220/839, 4.23, 555, 575, 4.26, 4.27, 556,  
220/553, 23.8, 23.83, 315, 324, 326, 4.21;  
206/508, 511, 564, 541, 546, 521.1; 229/902-904,  
229/906, 110, 406, 407  
See application file for complete search history.

FIG. 2 is a front elevation view thereof.

FIG. 3 is a rear elevation view thereof.

FIG. 4 is a left side elevation view thereof.

FIG. 5 is a right side elevation view thereof.

FIG. 6 is a top plan view thereof.

FIG. 7 is a bottom plan view thereof.

FIG. 8 is a perspective view of the multiple product package of FIG. 1 opened.

FIG. 9 is a front elevation view of the exterior thereof.

FIG. 10 is a rear elevation view of the interior thereof.

FIG. 11 is a left side elevation view thereof.

FIG. 12 is a right side elevation view thereof.

FIG. 13 is a top plan view thereof; and,

FIG. 14 is a bottom plan view thereof.

The broken line showing of a product in the multiple product package is for illustrative purposes only and forms no part of the claimed design.

(56) **References Cited**

**U.S. PATENT DOCUMENTS**

D196,988 S 11/1963 Wills, Jr.  
D197,862 S 3/1964 Wills, Jr.  
3,759,375 A 9/1973 Nappi  
D267,394 S \* 12/1982 Liptak et al. .... D9/415  
RE31,571 E 5/1984 Mann  
4,512,474 A 4/1985 Harding  
D281,306 S \* 11/1985 Reichenstein ..... D9/415  
D281,580 S \* 12/1985 Stevens ..... D9/415  
D283,489 S \* 4/1986 Stevens ..... D9/415  
D291,064 S \* 7/1987 Haber et al. .... D9/415  
D294,123 S 2/1988 Hill  
4,779,734 A 10/1988 Kydonieus  
D306,404 S 3/1990 Hill  
D345,909 S \* 4/1994 Winston ..... D9/415

**1 Claim, 12 Drawing Sheets**







FIG. 1

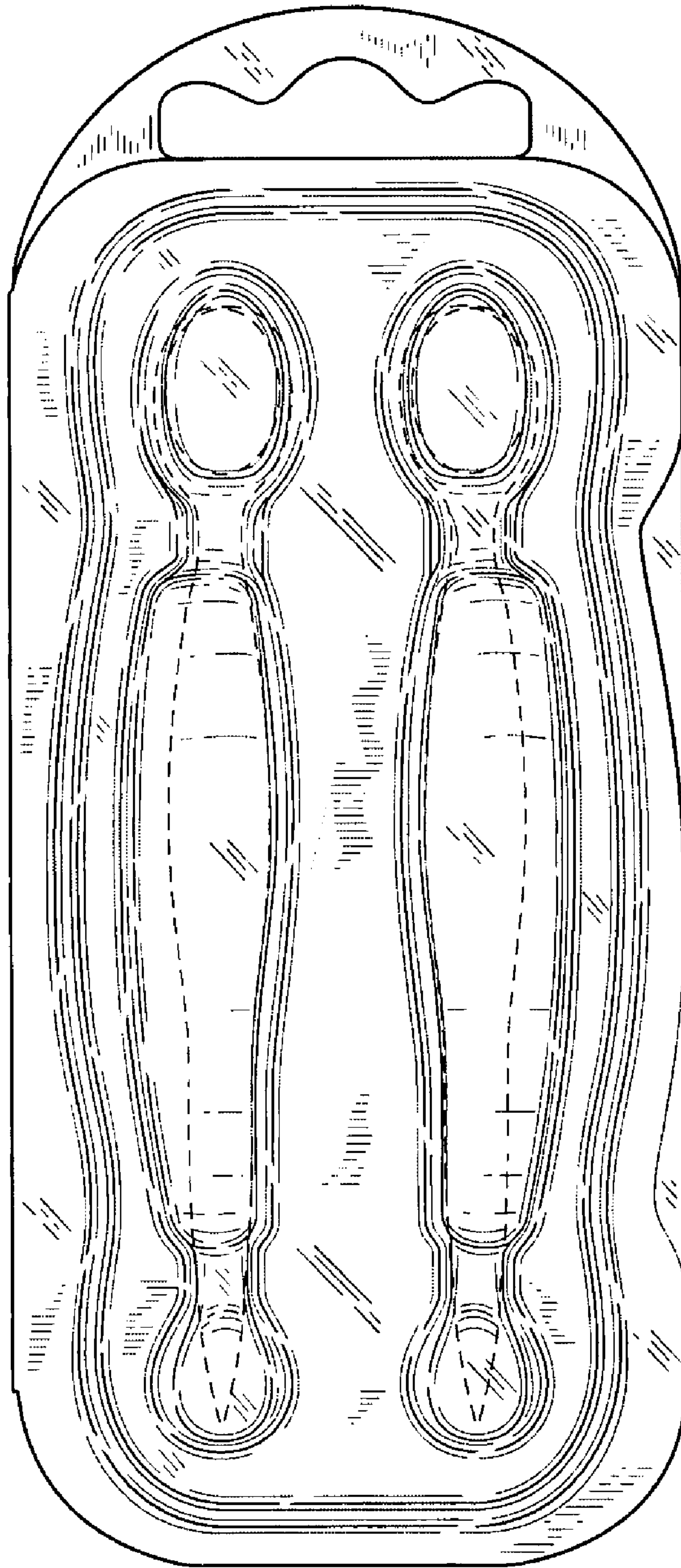


FIG. 2



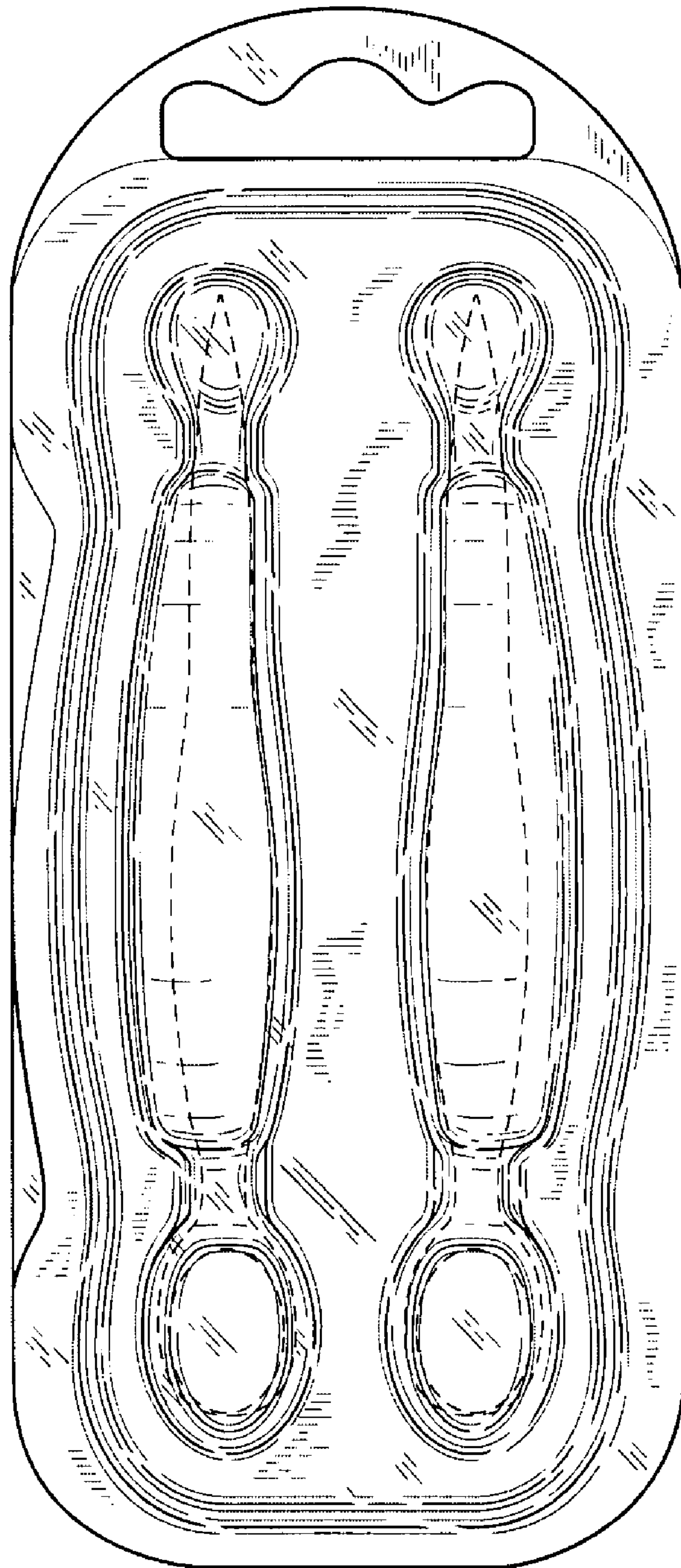


FIG. 3

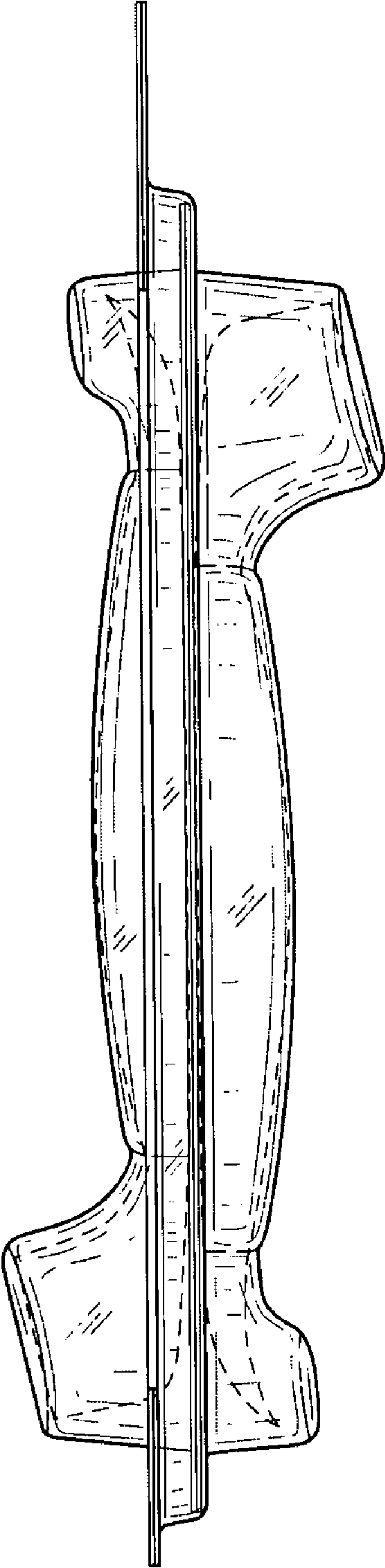


FIG. 4

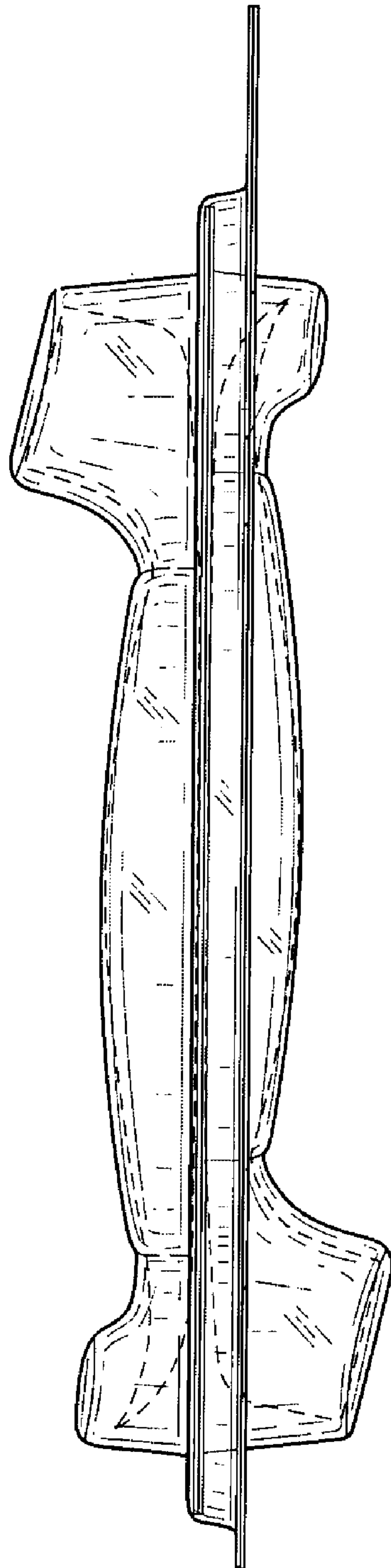


FIG. 5

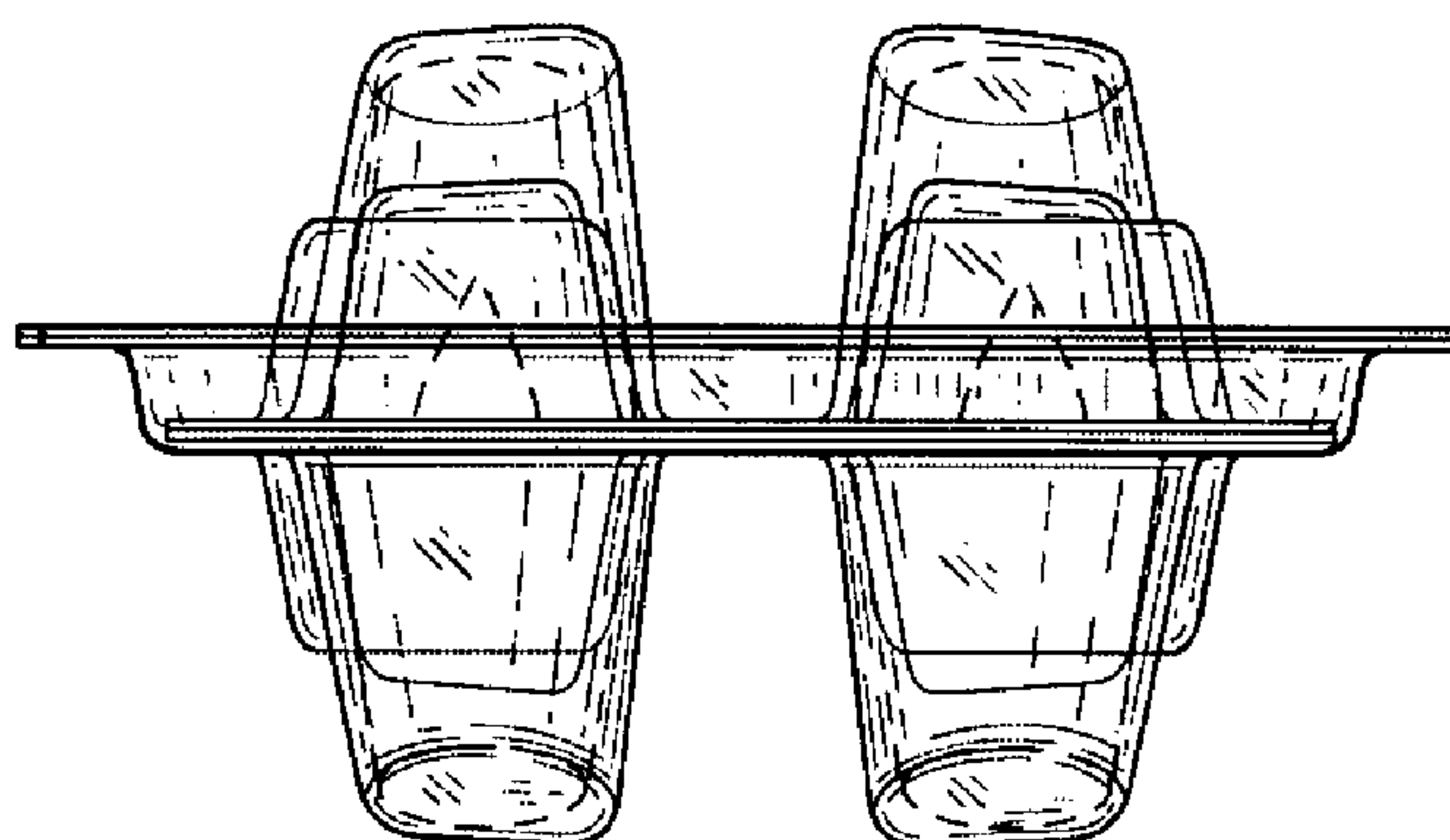


FIG. 6

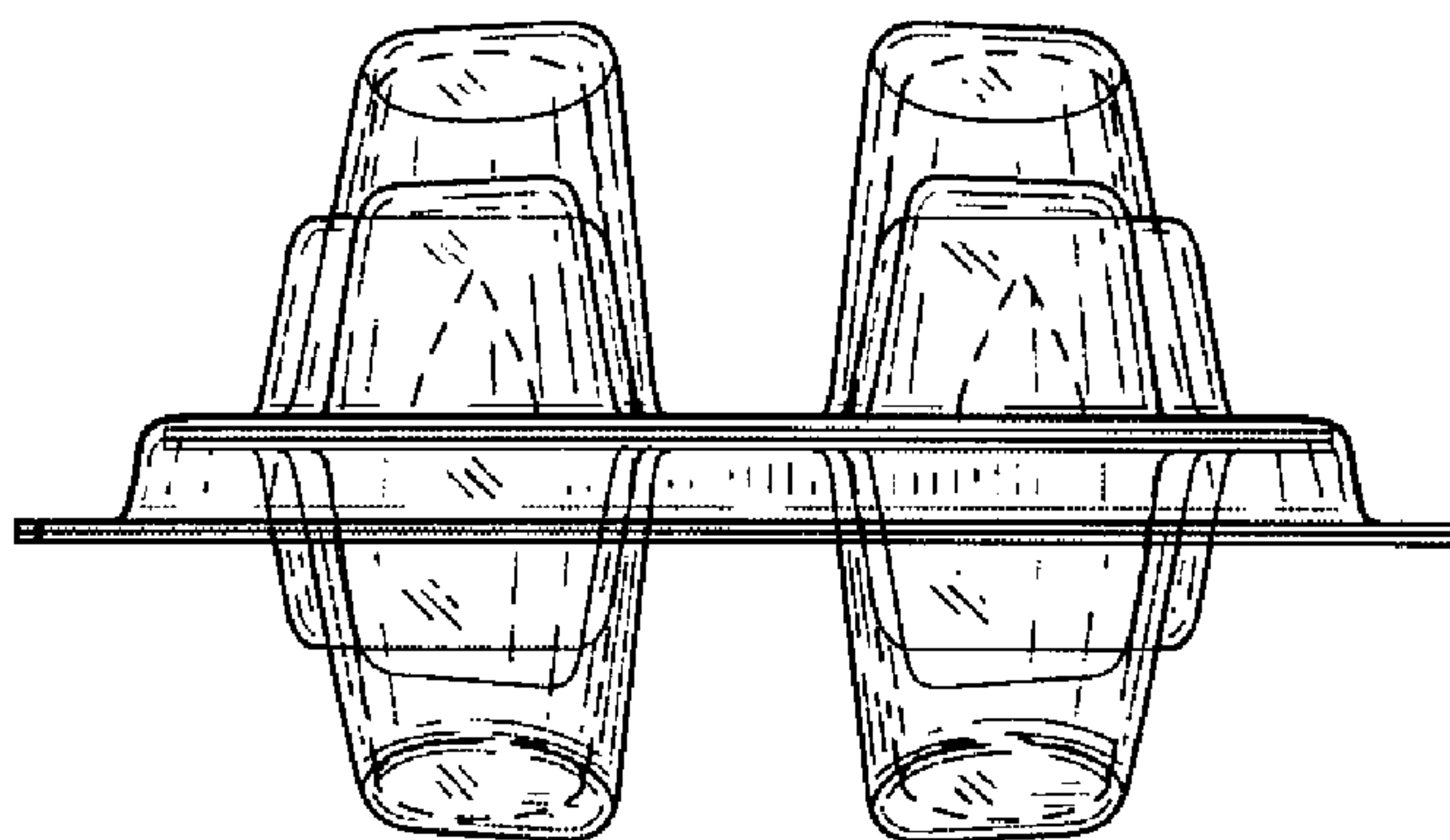


FIG. 7



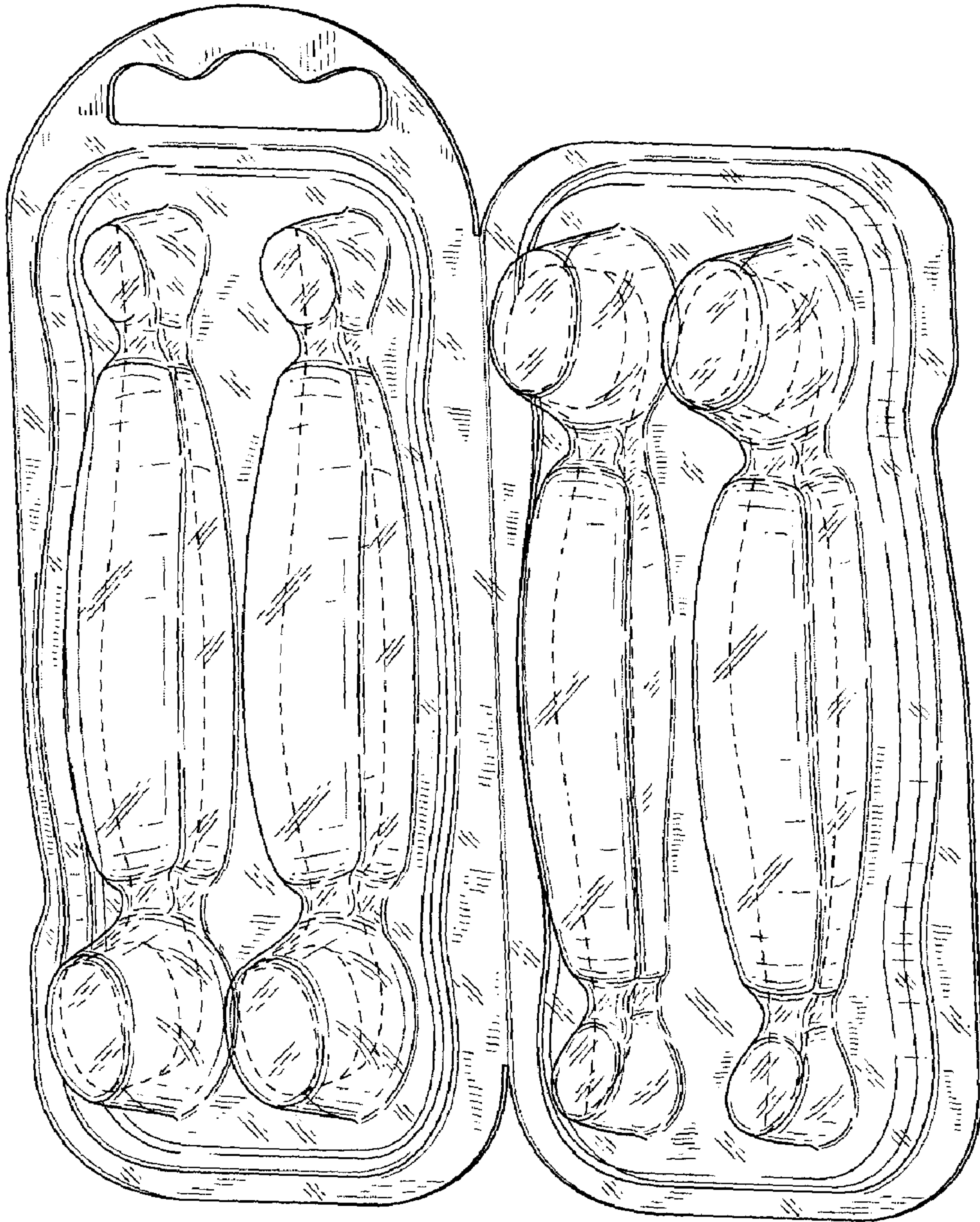


FIG. 8

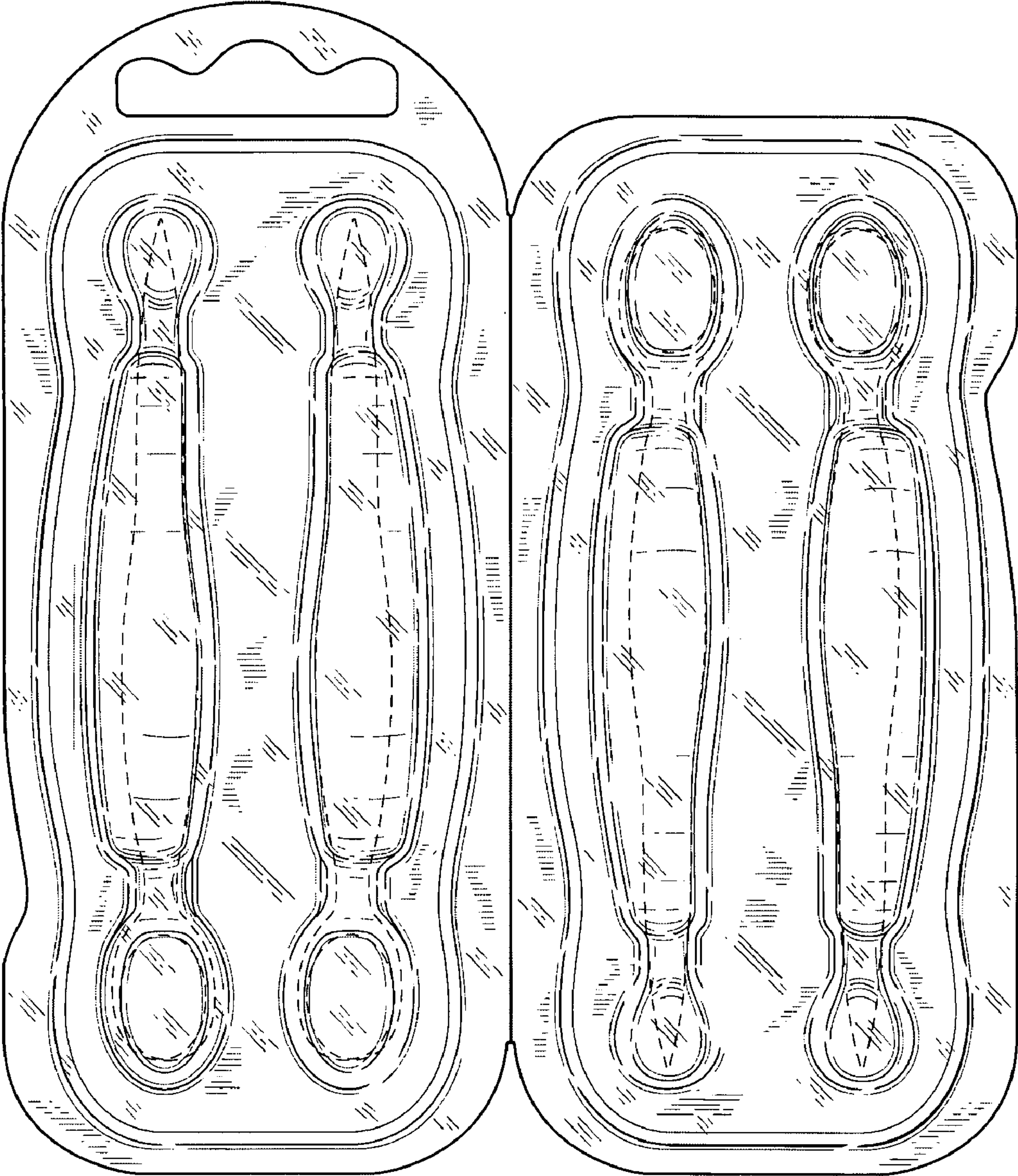


FIG. 9

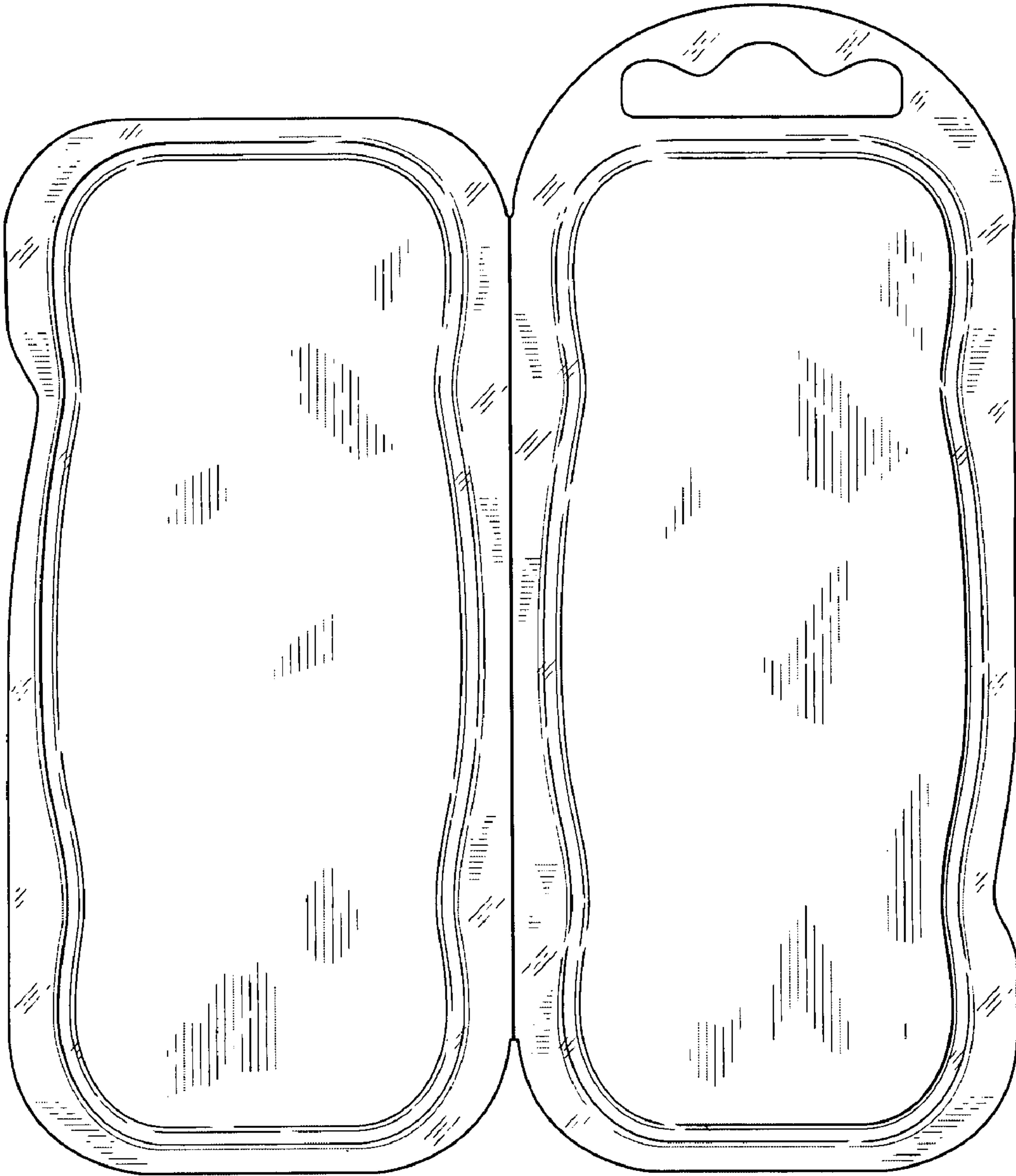


FIG. 10

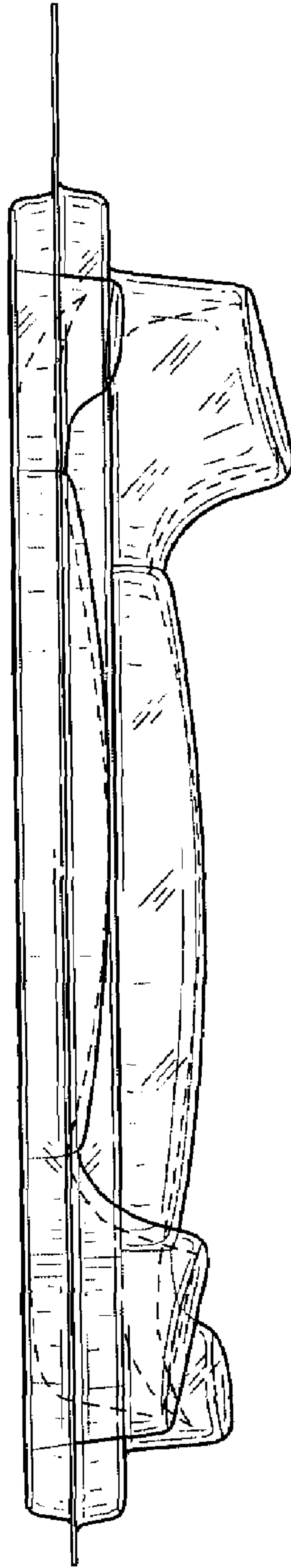


FIG. 11



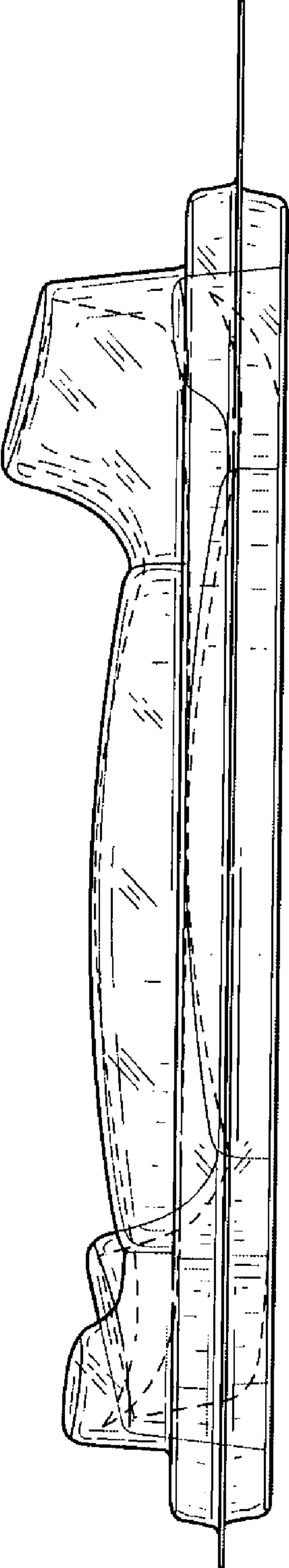


FIG. 12



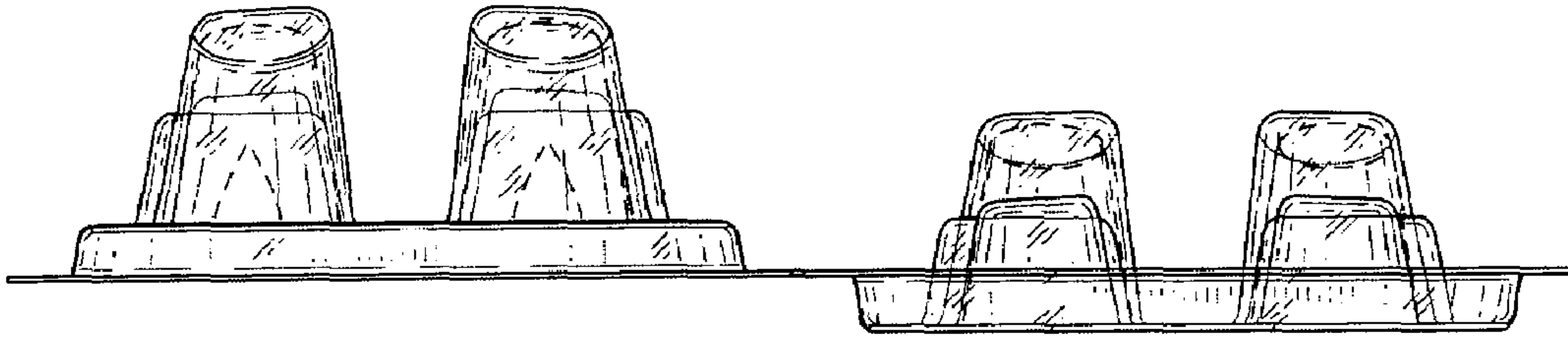


FIG. 13

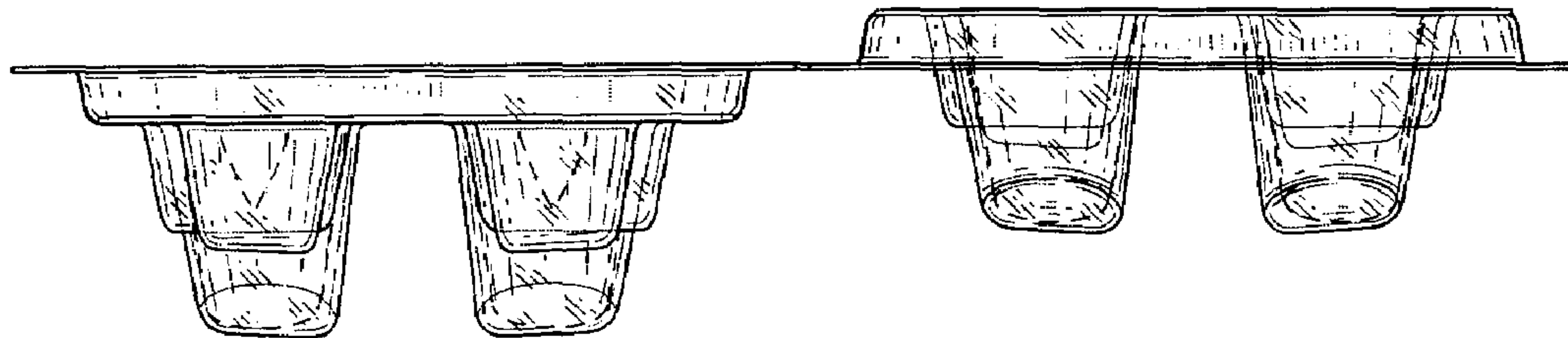


FIG. 14