



US00D593850S

(12) **United States Design Patent**
Kullman

(10) **Patent No.:** **US D593,850 S**

(45) **Date of Patent:** **** Jun. 9, 2009**

(54) **STUD AND MOUNTING TOOL**

(75) **Inventor:** **Fredrik Kullman**, Kalmar (SE)

(73) **Assignee:** **Maxigrip AB** (SE)

(**) **Term:** **14 Years**

(21) **Appl. No.:** **29/302,421**

(22) **Filed:** **Jan. 16, 2008**

(30) **Foreign Application Priority Data**

Jul. 16, 2007 (EM) 000758768-0001

(51) **LOC (9) Cl.** **08-08**

(52) **U.S. Cl.** **D8/387; D8/29; D8/70;**
D8/86

(58) **Field of Classification Search** D8/387,
D8/70, 86, 14, 29; 411/403, 402; 81/120,
81/121.1, 436

See application file for complete search history.

(56) **References Cited**

U.S. PATENT DOCUMENTS

4,242,932 A * 1/1981 Barmore 81/437

| | | | | |
|----------------|---------|----------------|-------|---------|
| D322,748 S * | 12/1991 | Balven | | D8/387 |
| 5,249,899 A * | 10/1993 | Wilson | | 411/82 |
| 5,277,531 A * | 1/1994 | Krivec | | 411/403 |
| 5,520,075 A * | 5/1996 | Barmore | | 81/437 |
| D415,676 S * | 10/1999 | Negishi et al. | | D8/387 |
| D472,434 S * | 4/2003 | Trempala | | D8/21 |
| D506,922 S * | 7/2005 | Simon | | D8/387 |
| D531,491 S * | 11/2006 | Liu | | D8/387 |
| 7,225,710 B2 * | 6/2007 | Pacheco, Jr. | | 81/460 |
| D563,212 S * | 3/2008 | Campbell | | D8/382 |
| D568,731 S * | 5/2008 | Campbell | | D8/387 |

* cited by examiner

Primary Examiner—Philip S Hyder

(74) *Attorney, Agent, or Firm*—Ostrolenk, Faber, Gerb & Soffen, LLP

(57) **CLAIM**

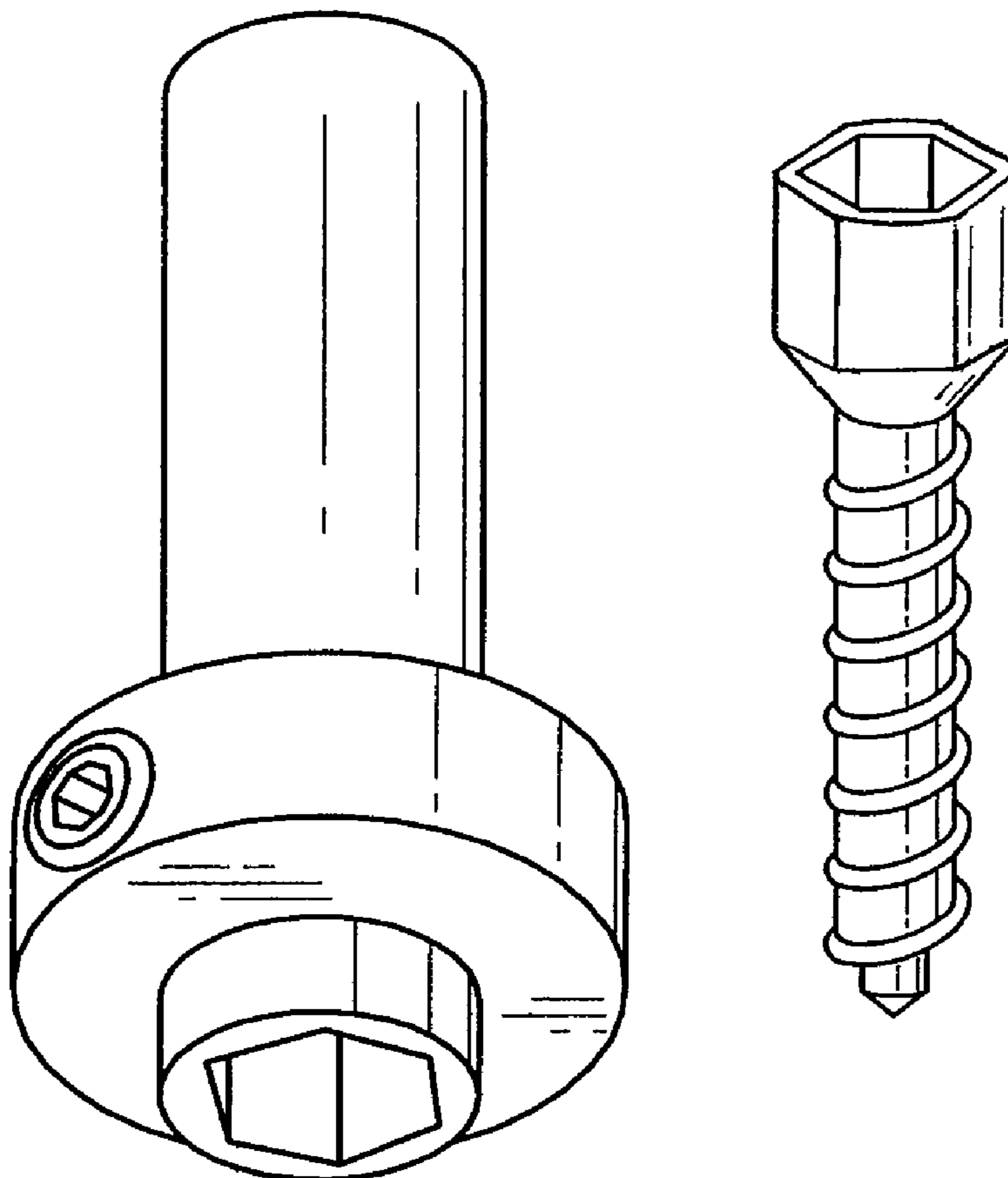
The ornamental design for a stud and mounting tool, as shown and described.

DESCRIPTION

FIG. 1 is a perspective view of a mounting tool portion of the design; and,

FIG. 2 is a perspective view of a stud for use with the tool.

1 Claim, 1 Drawing Sheet



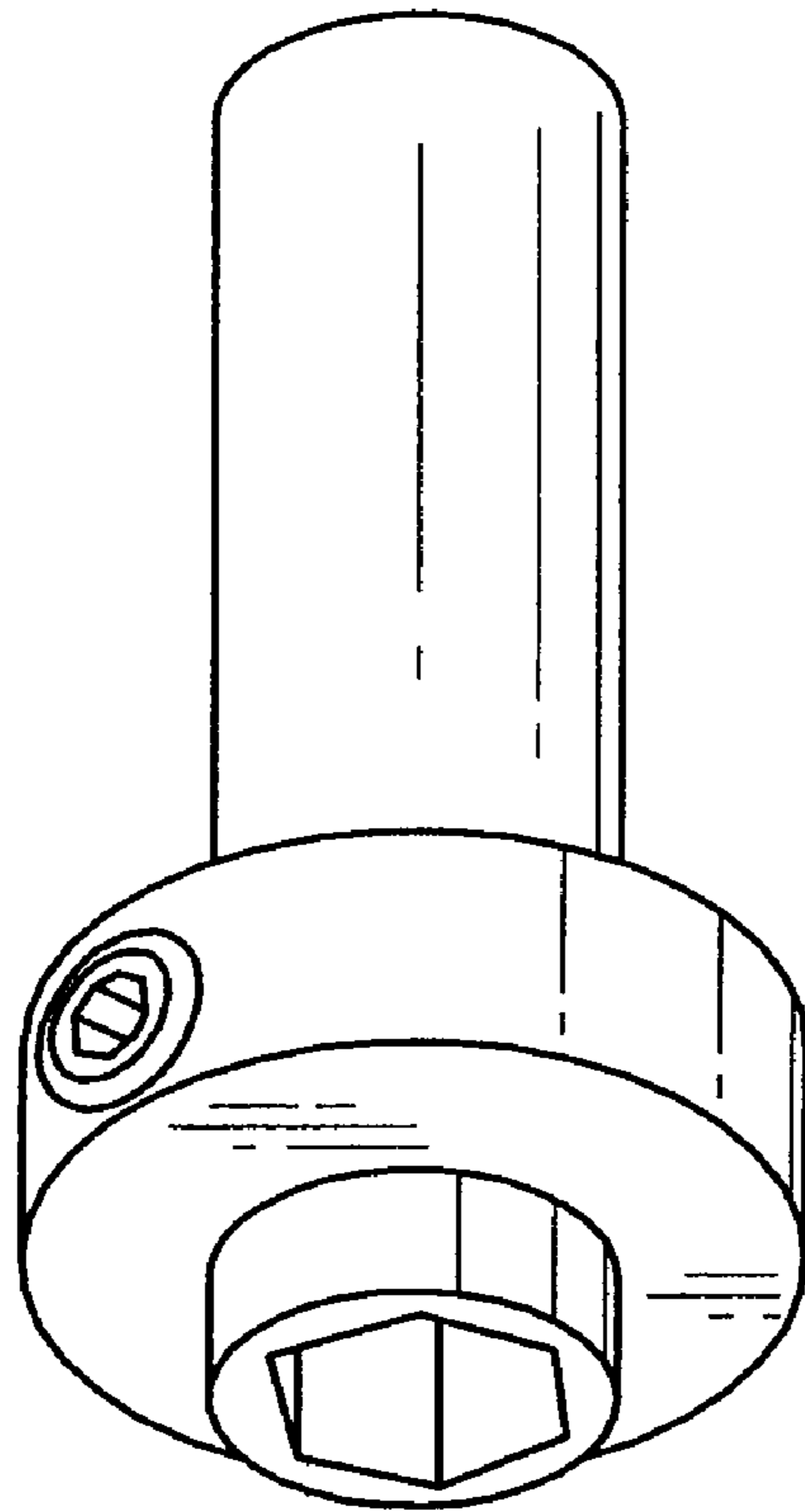


FIG. 1

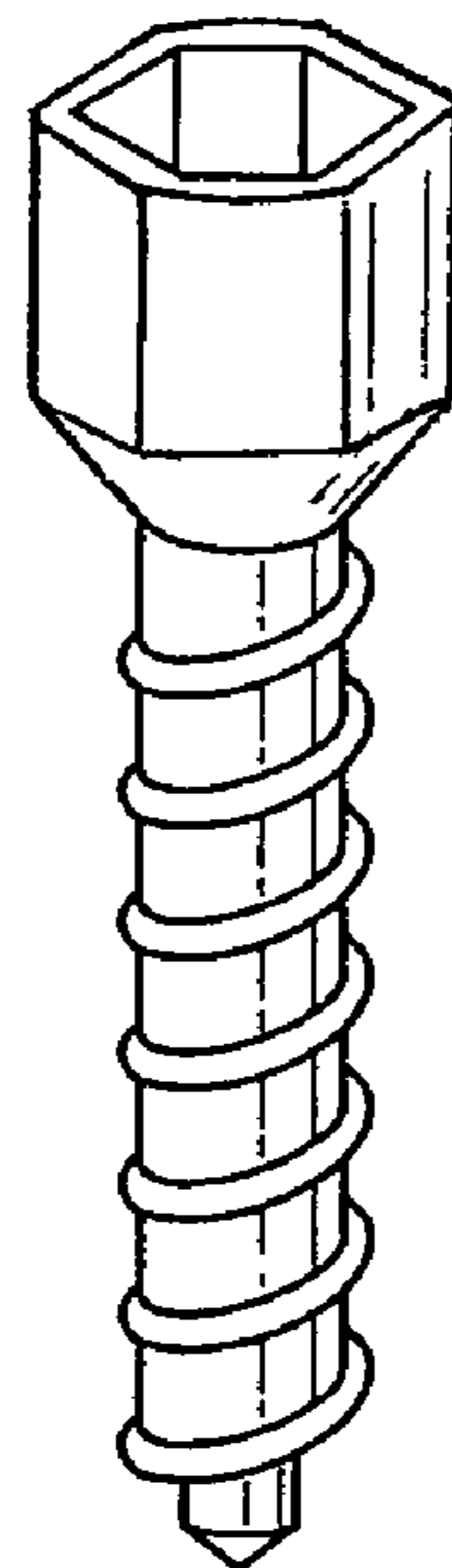


FIG. 2