



US00D593849S

(12) **United States Design Patent**  
**Balemi et al.**

(10) **Patent No.:** **US D593,849 S**  
(45) **Date of Patent:** **\*\* Jun. 9, 2009**

(54) **COUPLER**

(75) Inventors: **Timothy Craig Balemi**, Auckland (NZ);  
**Michael Kevin Scheib**, Auckland (NZ)

(73) Assignee: **JB Attachments Limited**, Auckland  
(NZ)

(\*\*) Term: **14 Years**

(21) Appl. No.: **29/300,811**

(22) Filed: **May 16, 2008**

(30) **Foreign Application Priority Data**

Nov. 16, 2007 (NZ) ..... 410044

(51) **LOC (9) Cl.** ..... **08-08**

(52) **U.S. Cl.** ..... **D8/382; D15/28**

(58) **Field of Classification Search** ..... D8/382;  
D15/28; 403/322.1, 322.3, 321; 37/468;  
414/723

See application file for complete search history.

(56) **References Cited**

**U.S. PATENT DOCUMENTS**

5,332,353	A *	7/1994	Arnold	.....	414/723
5,382,110	A *	1/1995	Perotto et al.	.....	403/322.3
D440,983	S *	4/2001	Miller et al.	.....	D15/28
6,379,075	B1 *	4/2002	Shamblin et al.	.....	403/322.1
D458,942	S *	6/2002	Balemi	.....	D15/28
6,579,024	B2 *	6/2003	Trowbridge	.....	403/34
6,691,438	B2 *	2/2004	Fatemi	.....	37/468
6,718,663	B1 *	4/2004	Geraghty	.....	37/468

6,813,851	B2 *	11/2004	Mieger et al.	.....	37/468
6,881,002	B2 *	4/2005	Fatemi	.....	403/322.3
6,902,346	B2 *	6/2005	Steig et al.	.....	403/322.3
6,922,926	B2 *	8/2005	Miller et al.	.....	37/468
7,246,457	B2 *	7/2007	Mieger et al.	.....	37/468
7,306,395	B2 *	12/2007	Fatemi	.....	403/321
D565,062	S *	3/2008	Miller et al.	.....	D15/28
D574,225	S *	8/2008	Scheib	.....	D8/382
7,473,067	B2 *	1/2009	Nishioka et al.	.....	414/723
2003/0175072	A1 *	9/2003	Steig et al.	.....	403/322.1
2005/0214105	A1 *	9/2005	Steig et al.	.....	414/723

\* cited by examiner

*Primary Examiner*—Holly H Baynham

*Assistant Examiner*—Sheryl Lane

(74) *Attorney, Agent, or Firm*—Jacobson Holman PLLC

(57) **CLAIM**

We claim the ornamental design for the coupler, as shown and described.

**DESCRIPTION**

FIG. 1 is a front isometric view of the coupler embodying our design;

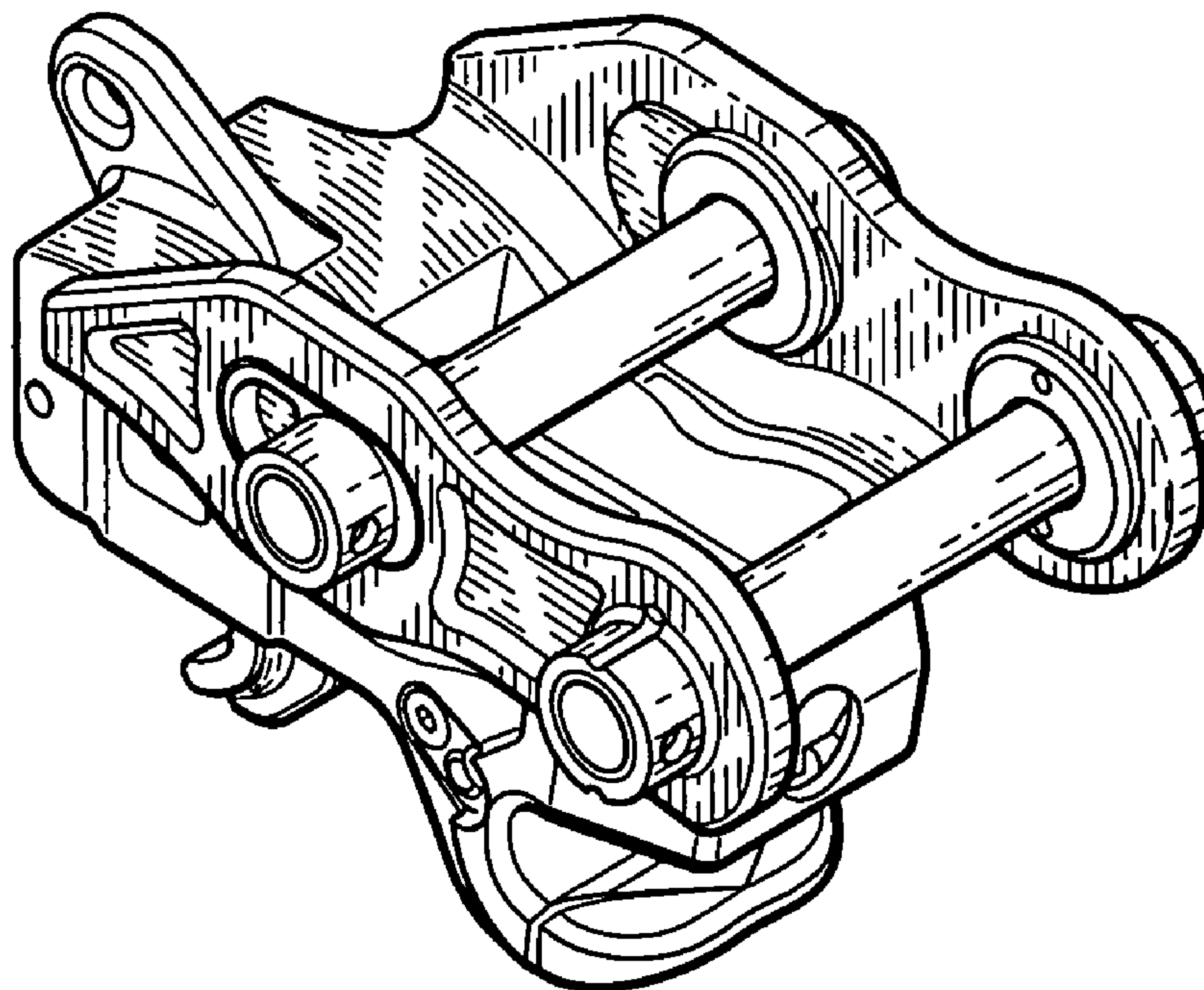
FIG. 2 is a top plan view of the coupler as shown in FIG. 1;

FIG. 3 is the side elevational view of the coupler shown in FIG. 1;

FIG. 4 is the right end elevational view of the coupler shown in FIG. 1; and,

FIG. 5 is an exploded front perspective view of the coupler shown in FIG. 1.

**1 Claim, 2 Drawing Sheets**



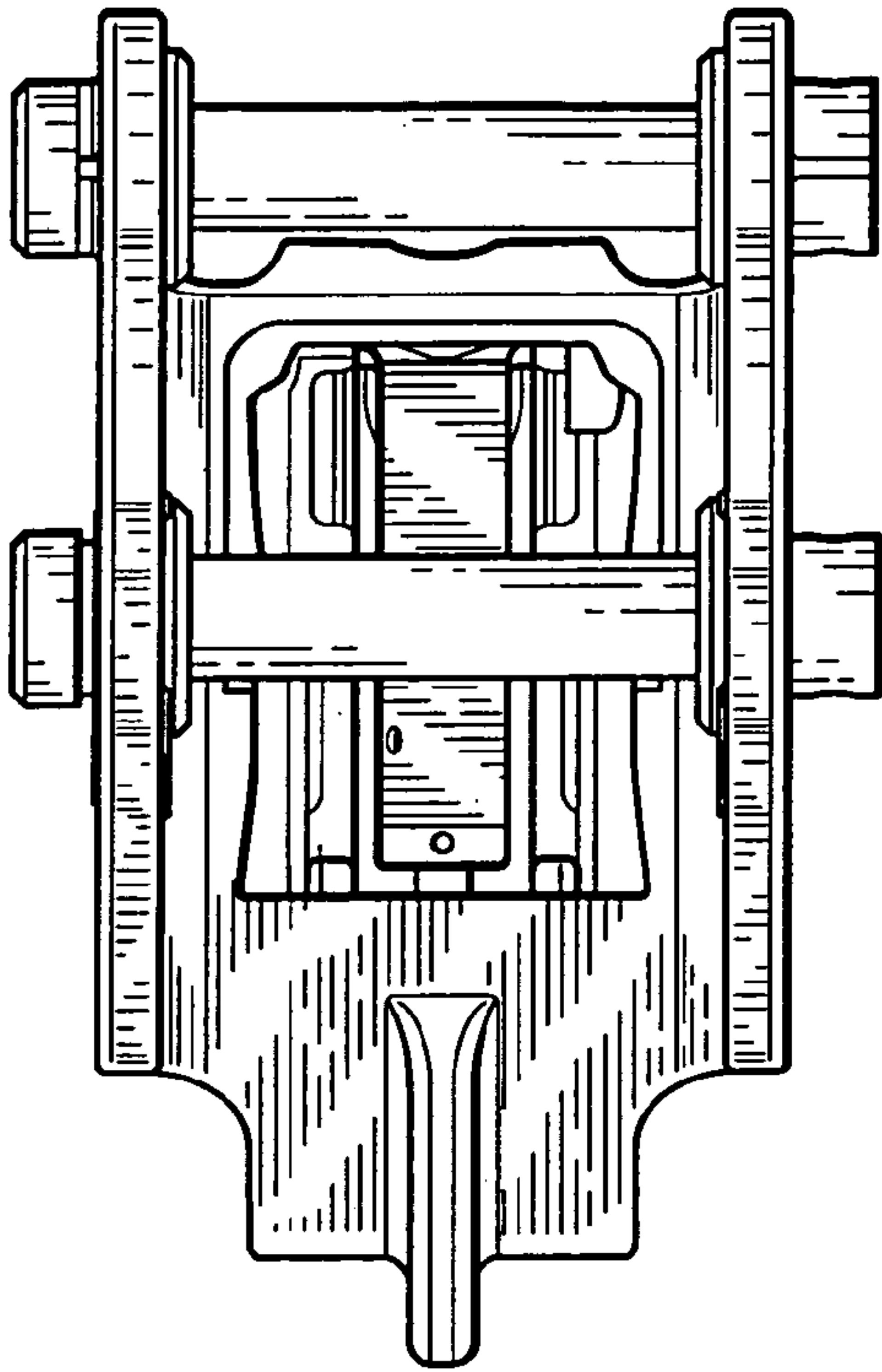


FIG. 2

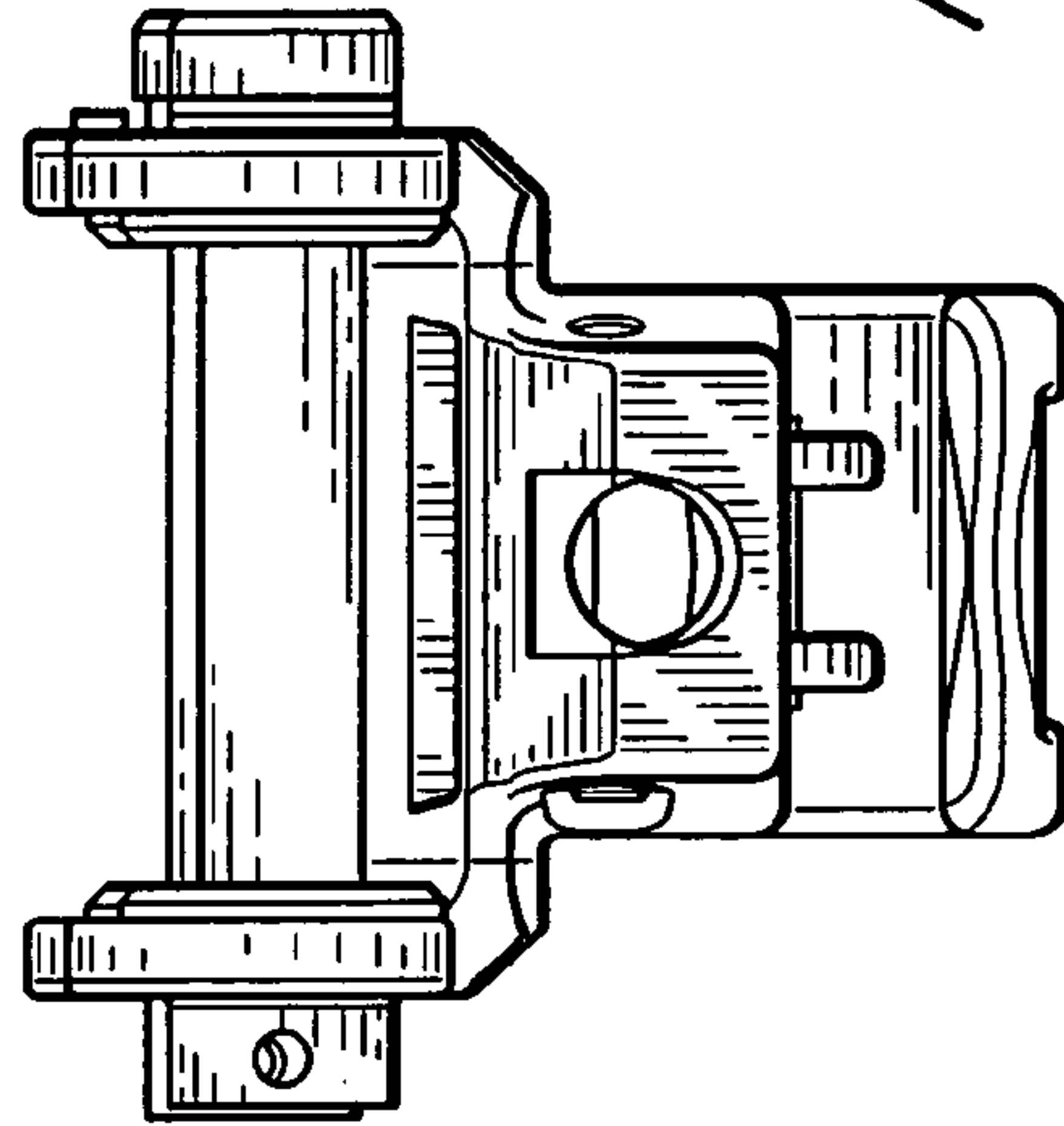


FIG. 4

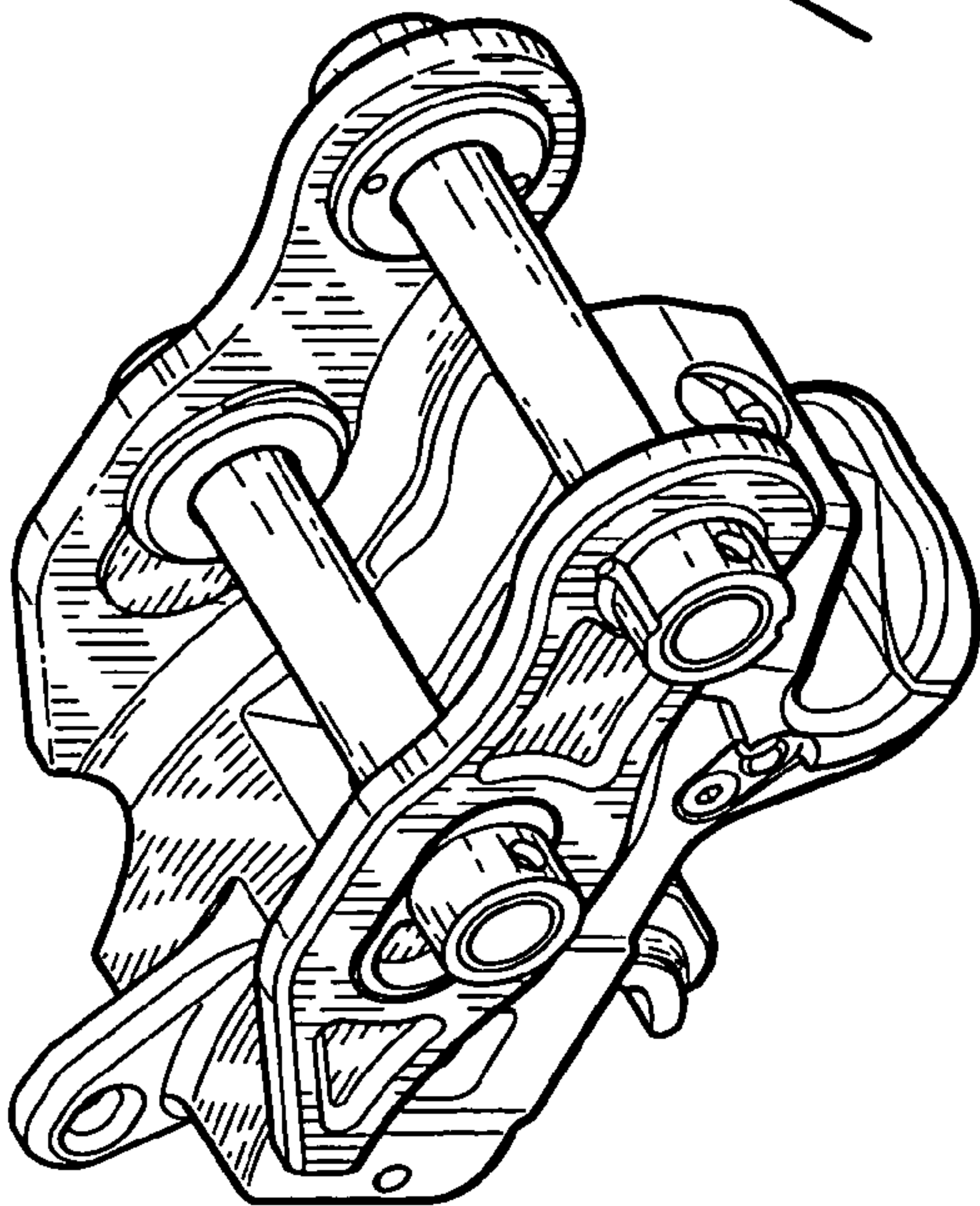


FIG. 1

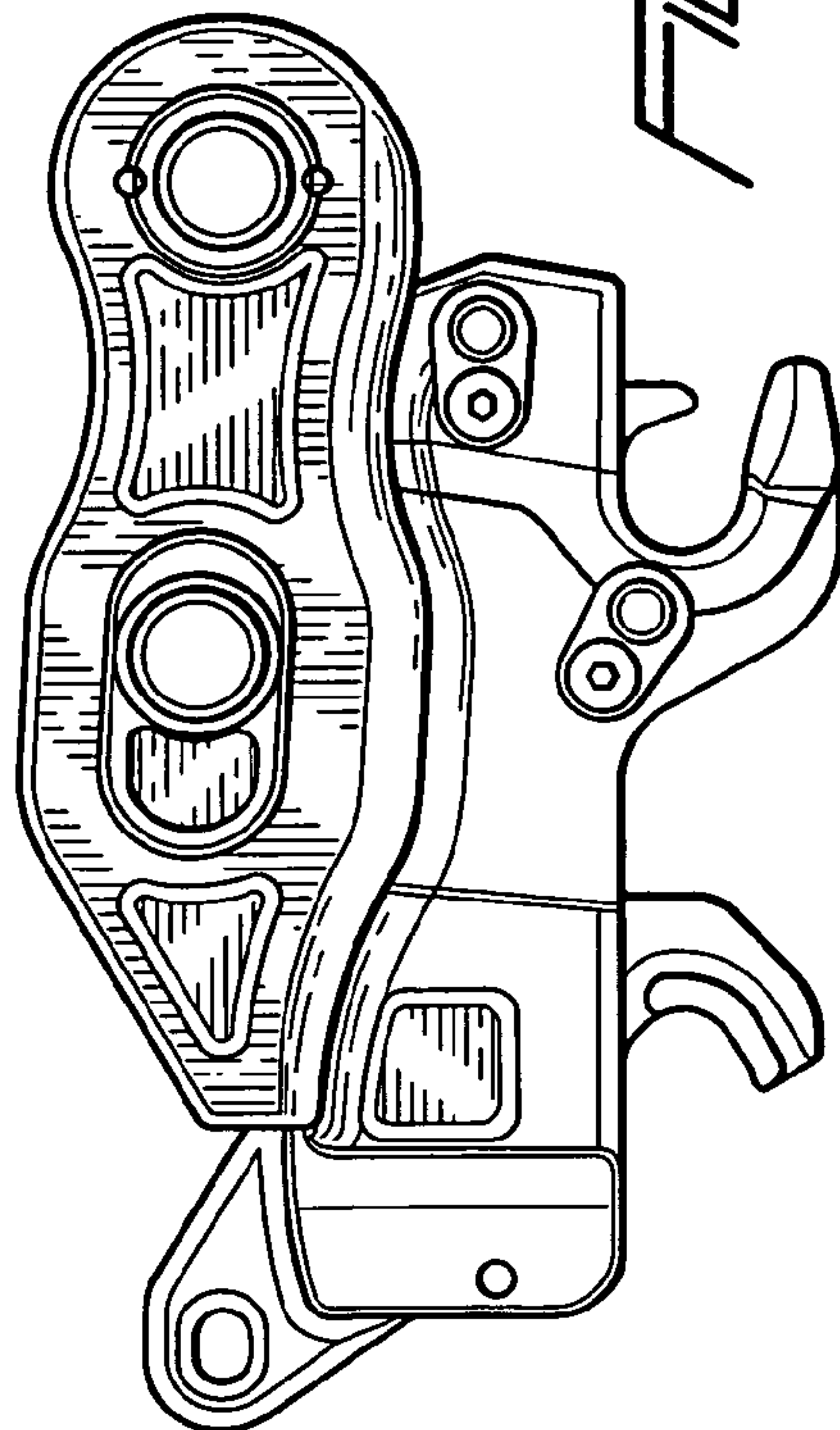


FIG. 3



