



US00D593845S

(12) **United States Design Patent**
Boyko

(10) **Patent No.:** **US D593,845 S**
(45) **Date of Patent:** **** Jun. 9, 2009**

(54) **FLARE GROMMET**

(75) Inventor: **Matthew Boyko**, San Francisco, CA (US)

(73) Assignee: **Doug Mockett & Company, Inc.**, Torrance, CA (US)

(**) Term: **14 Years**

(21) Appl. No.: **29/325,956**

(22) Filed: **Oct. 8, 2008**

Related U.S. Application Data

(63) Continuation-in-part of application No. 29/296,160, filed on Oct. 15, 2007, now abandoned.

(51) **LOC (9) Cl.** **08-05**

(52) **U.S. Cl.** **D8/356**

(58) **Field of Classification Search** D8/105, D8/107, 333, 349, 354, 356, 358, 360, 360.1, D8/367, 373, 382, 383, 394-396, 400; D13/153; 24/18, 197, 561; 52/220.7; 174/135, 153 G, 174/650, 656; 242/400.1, 405.1, 405.2, 600, 242/603; 248/65, 74.1-74.4, 201, 214, 215, 248/229.26; 439/92-108, 501, 535; 211/26; 16/2.1

See application file for complete search history.

(56) **References Cited**

U.S. PATENT DOCUMENTS

3,091,795 A * 6/1963 Budwig 16/2.1
3,397,280 A * 8/1968 Klumpp, Jr. 174/153 G
3,966,073 A * 6/1976 Geisel 220/3.8
D276,311 S * 11/1984 Cournoyer et al. D8/400

Primary Examiner—T. Chase Nelson

Assistant Examiner—Karen Acker

(74) *Attorney, Agent, or Firm*—Lewis Brisbois Bisgaard & Smith LLP; Sanford Astor

(57) **CLAIM**

The ornamental design for a flare grommet, as shown and described.

DESCRIPTION

The article embodying the design is intended to be used as a grommet which comprises a sleeve and a cap

FIG. 1 is a perspective view of the flare grommet;

FIG. 2 is a perspective view of the flare grommet with the two sections separated;

FIG. 3 is a perspective view of the top section of FIG. 2;

FIG. 4 is a rear elevational view of FIG. 3;

FIG. 5 is a side elevational view of FIG. 3, the other side being a mirror image;

FIG. 6 is a front elevational view of FIG. 3;

FIG. 7 is a top view of FIG. 3;

FIG. 8 is a bottom view of FIG. 3;

FIG. 9 is perspective view of the bottom section of FIG. 2;

FIG. 10 is a rear elevational view of FIG. 9;

FIG. 11 is a side elevational view of FIG. 9, the other side being a mirror image;

FIG. 12 is a front elevational view of FIG. 9;

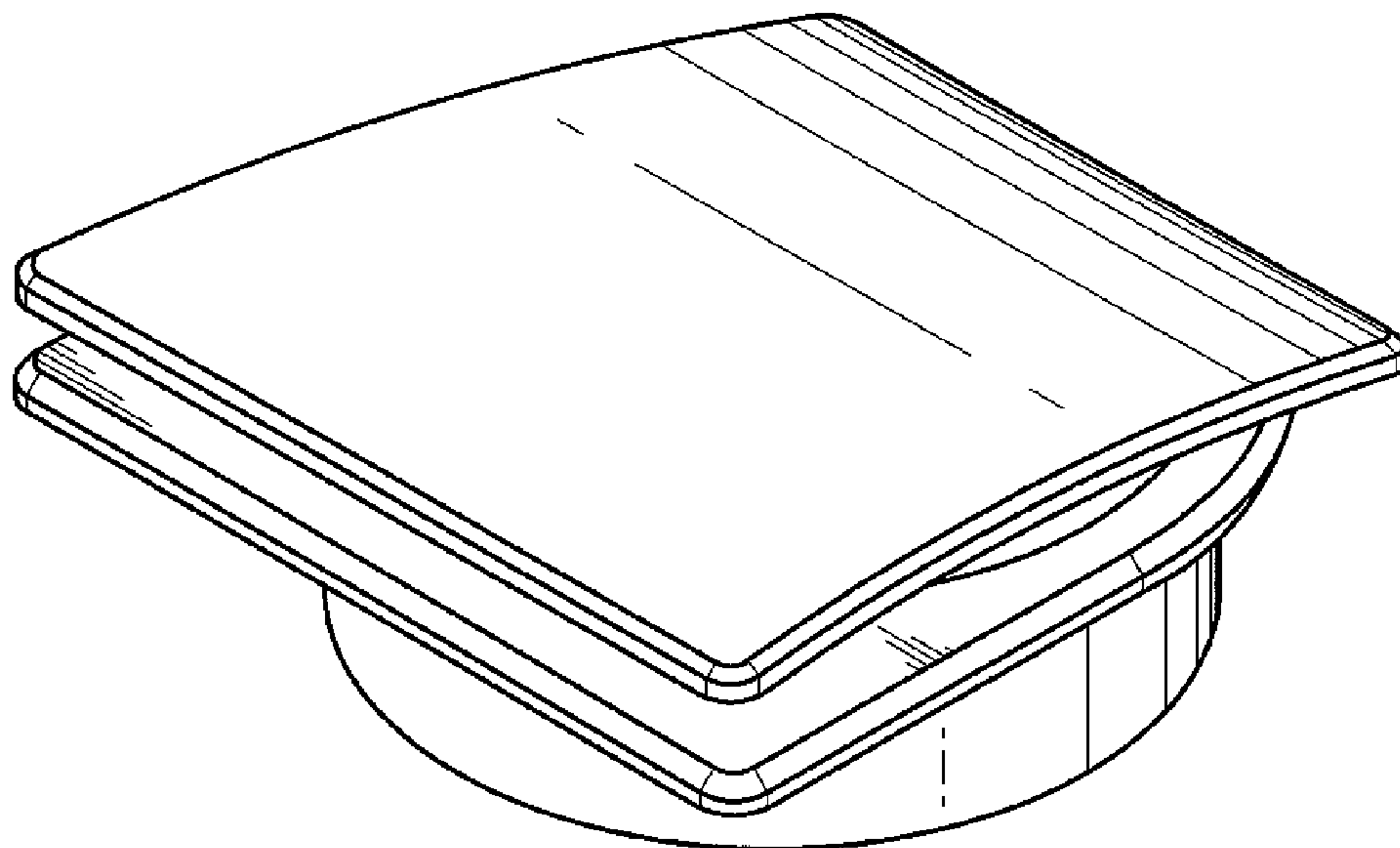
FIG. 13 is a top view of FIG. 9;

FIG. 14 is a bottom view of FIG. 9; and,

FIG. 15 is a side elevational view of FIG. 1, the other side being a mirror image.

(Continued)

1 Claim, 14 Drawing Sheets



US D593,845 S

Page 2

U.S. PATENT DOCUMENTS

4,490,954	A *	1/1985	Cresti	52/220.8	D442,398	S *	5/2001	Waisbrod	D6/491
4,520,976	A *	6/1985	Cournoyer et al.	248/56	6,457,422	B1 *	10/2002	Saul	108/50.02
D285,044	S *	8/1986	Mockett	D8/354	D465,400	S *	11/2002	Moore et al.	D8/331
4,688,491	A *	8/1987	Herrera et al.	108/50.02	6,495,755	B2 *	12/2002	Burton et al.	174/665
4,730,363	A *	3/1988	Asbaghi	174/153 G	6,689,954	B2 *	2/2004	Vaughan et al.	174/663
D317,559	S *	6/1991	Simonton	D8/356	6,694,566	B1 *	2/2004	Mockett	16/2.1
5,167,047	A *	12/1992	Plumley	174/153 G	6,768,058	B2 *	7/2004	Pallapothu	174/652
D361,711	S *	8/1995	Plumley	D8/356	6,790,084	B1 *	9/2004	Osborn et al.	439/587
D363,769	S *	10/1995	Phillips et al.	D23/261	6,815,615	B1 *	11/2004	Haulotte et al.	174/667
5,627,342	A *	5/1997	Kramer	174/656	6,895,634	B2 *	5/2005	Tisbo	16/2.1
5,686,700	A *	11/1997	Carpinella	174/650	D550,144	S *	9/2007	Hord et al.	D12/317
5,806,140	A *	9/1998	Carlson et al.	16/2.1	7,383,610	B2 *	6/2008	Mockett	16/2.1
D406,227	S *	3/1999	Nakamura	D8/356	2003/0109172	A1 *	6/2003	Foden et al.	439/535
5,909,738	A *	6/1999	Quennessen	132/293	2008/0178421	A1 *	7/2008	Mockett	16/2.1
6,123,492	A *	9/2000	Pickard	411/508					

* cited by examiner

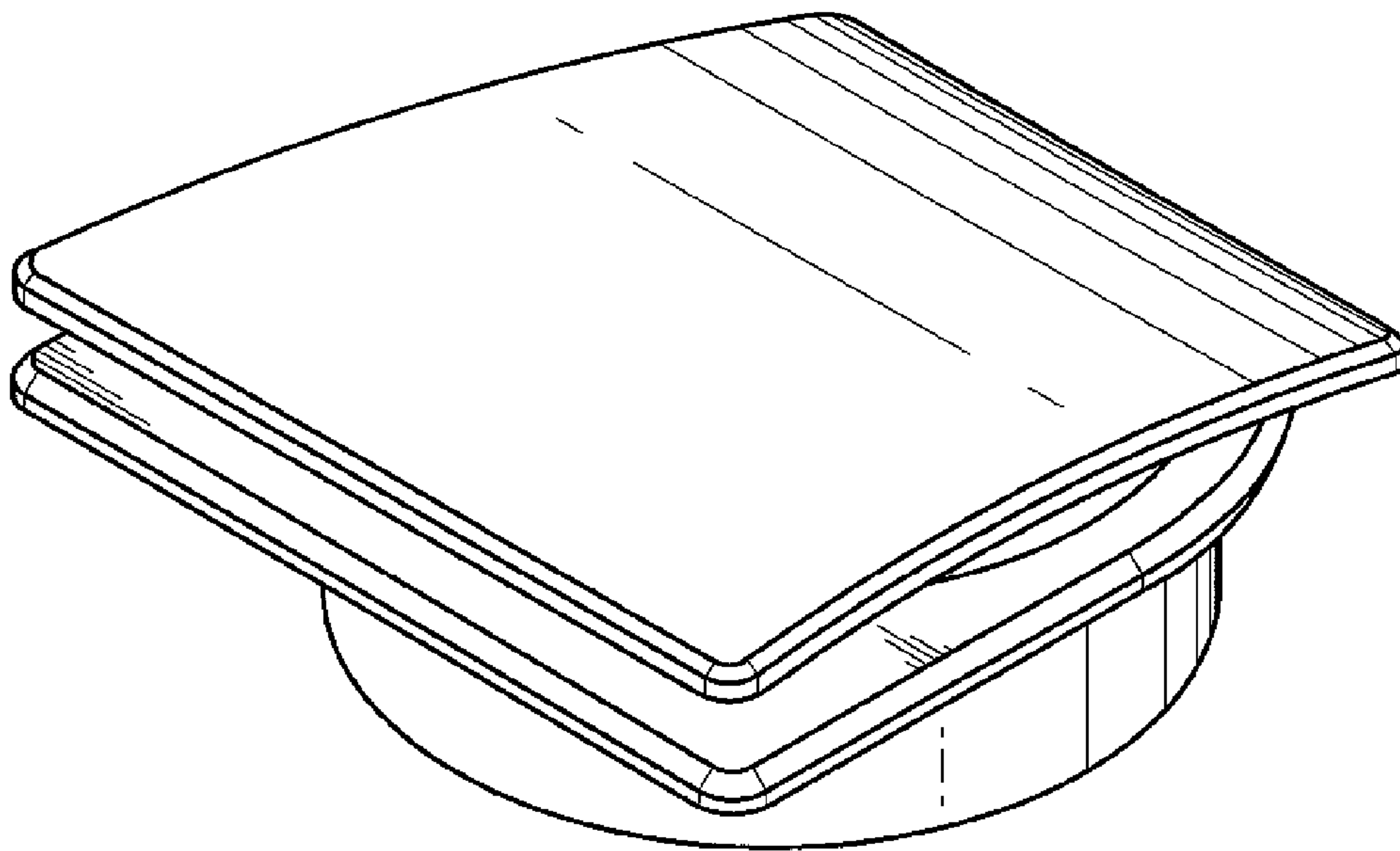


FIG. 1

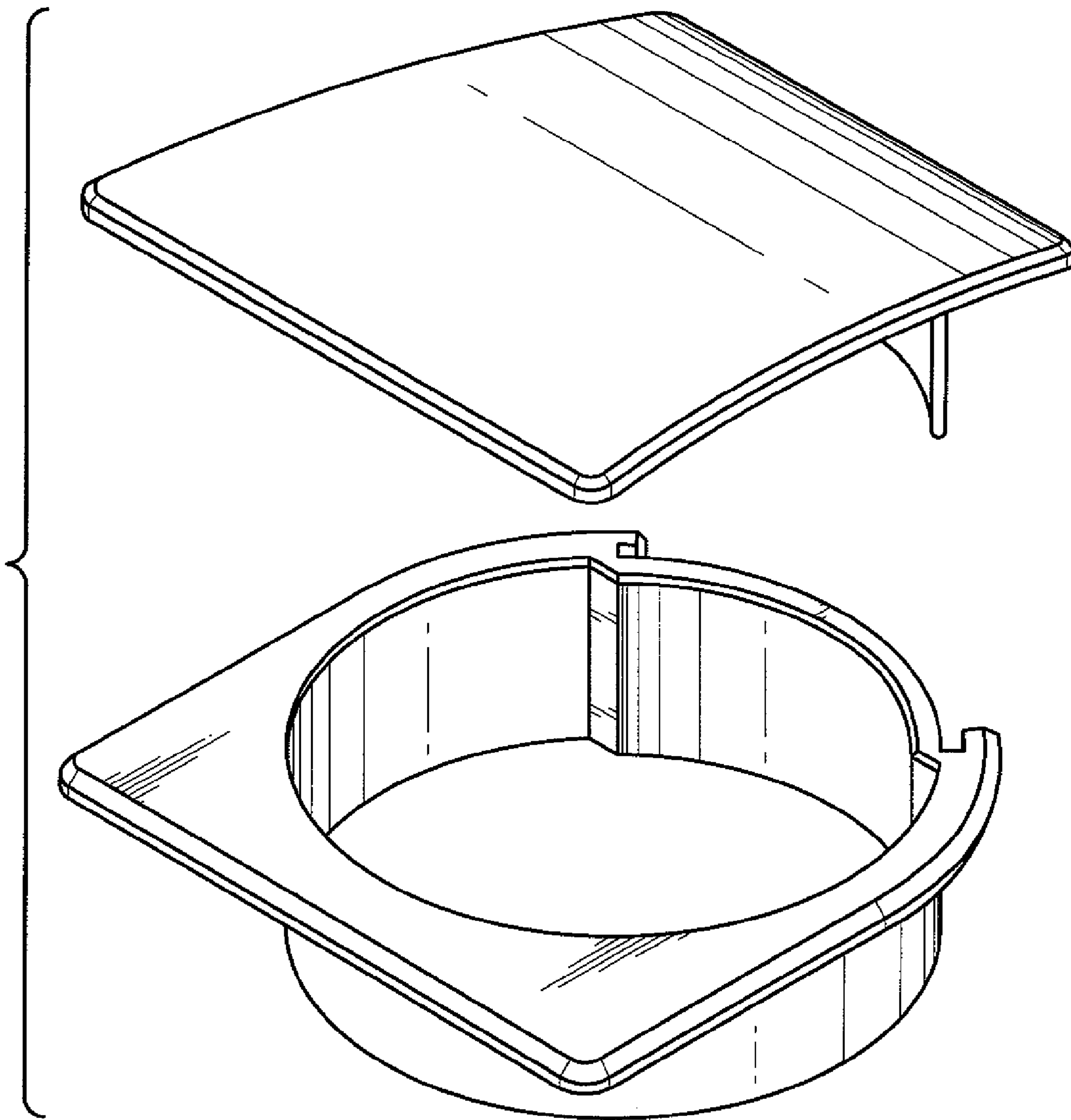


FIG. 2

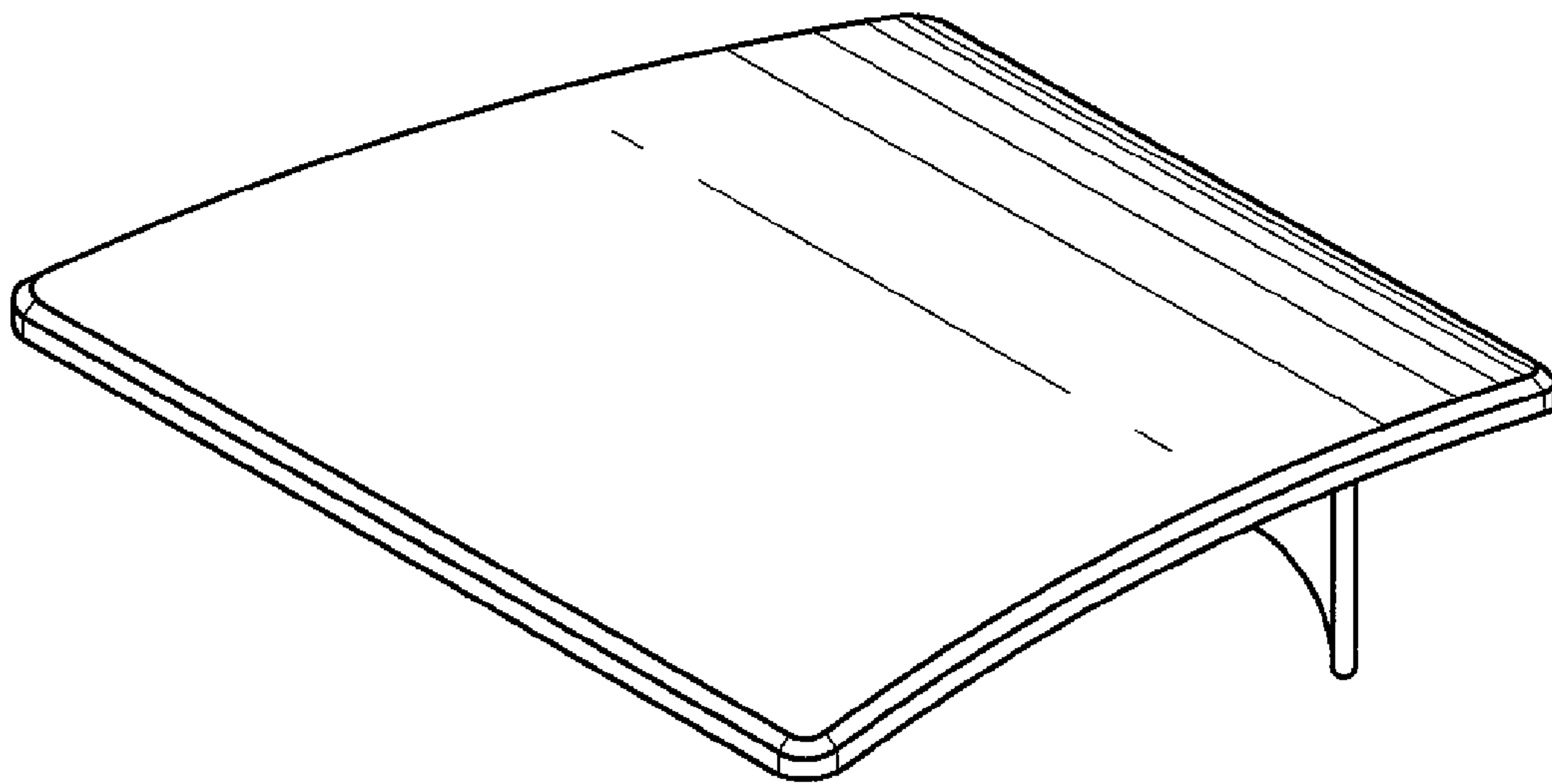


FIG. 3

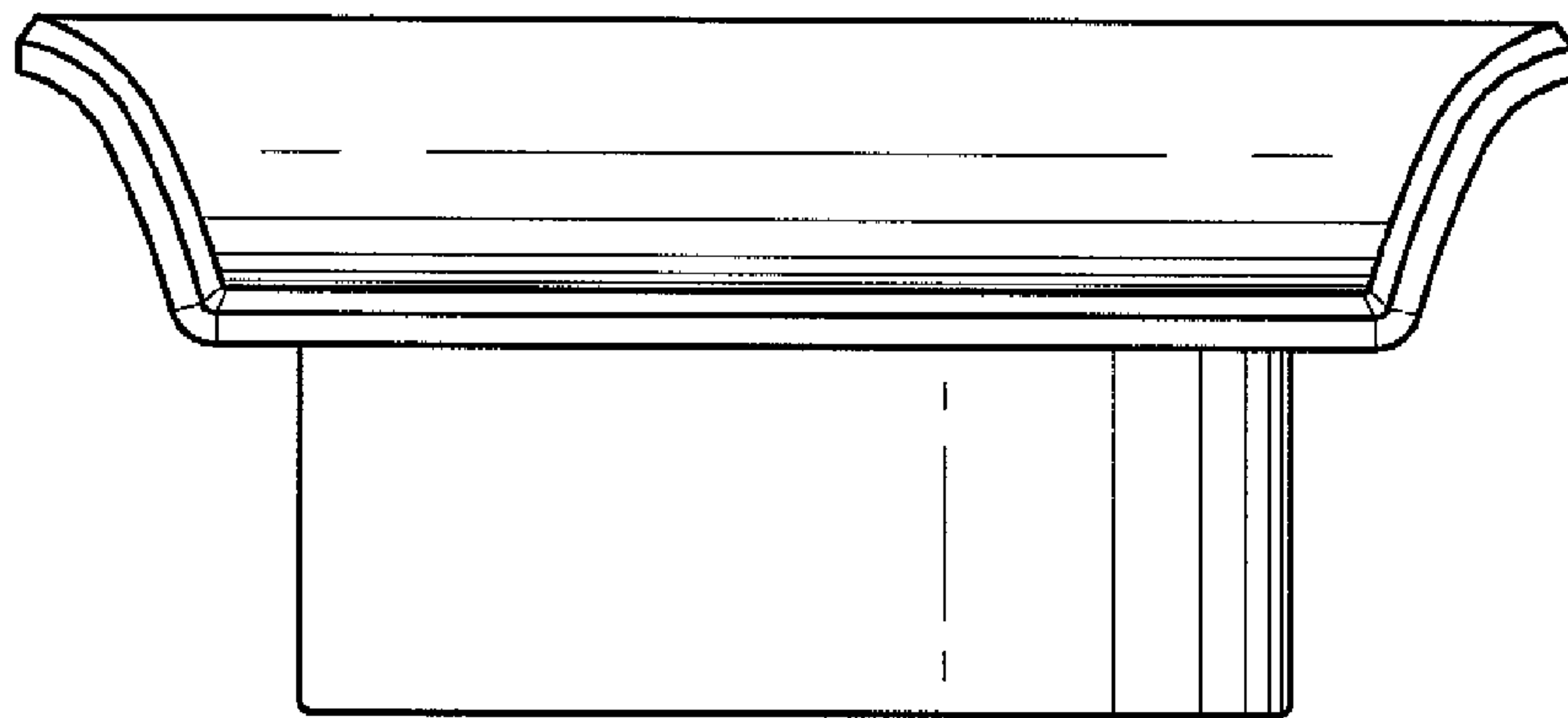


FIG. 4

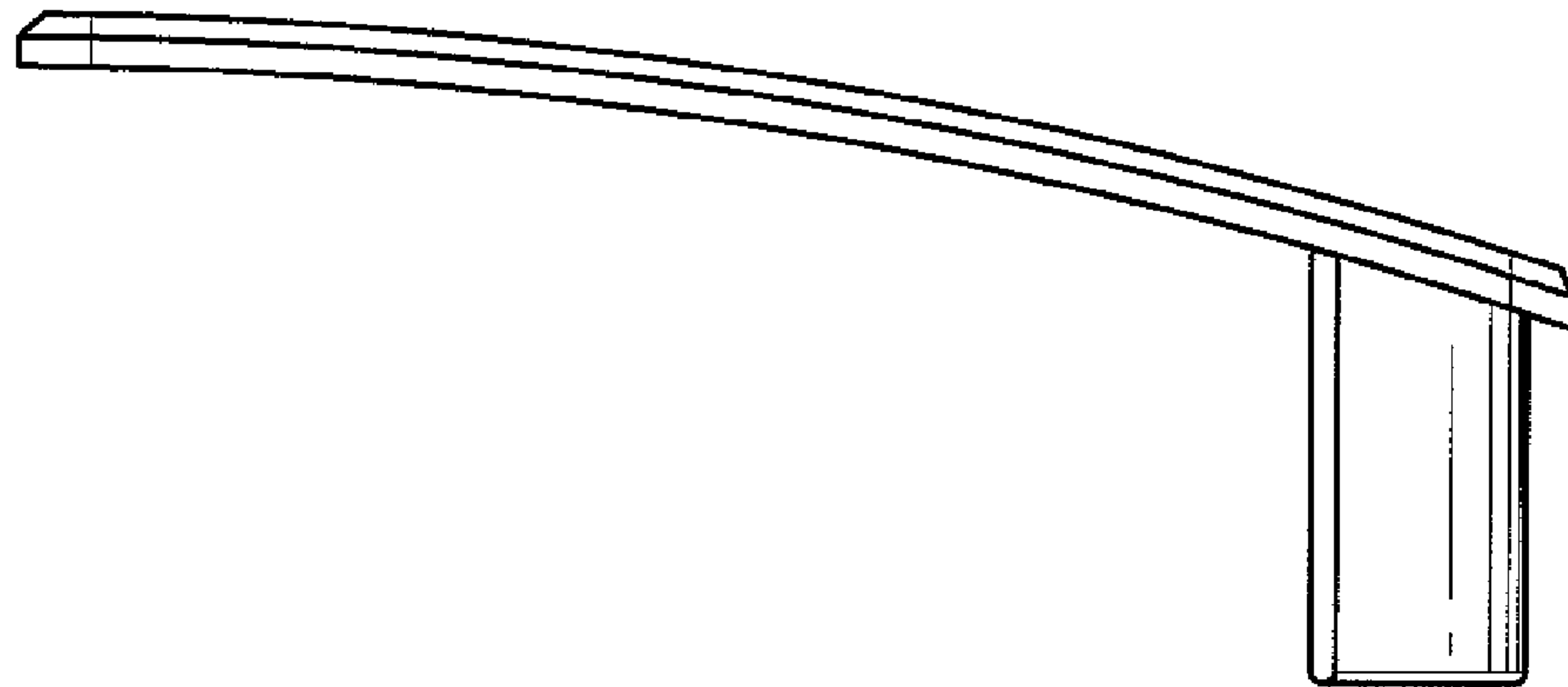


FIG. 5

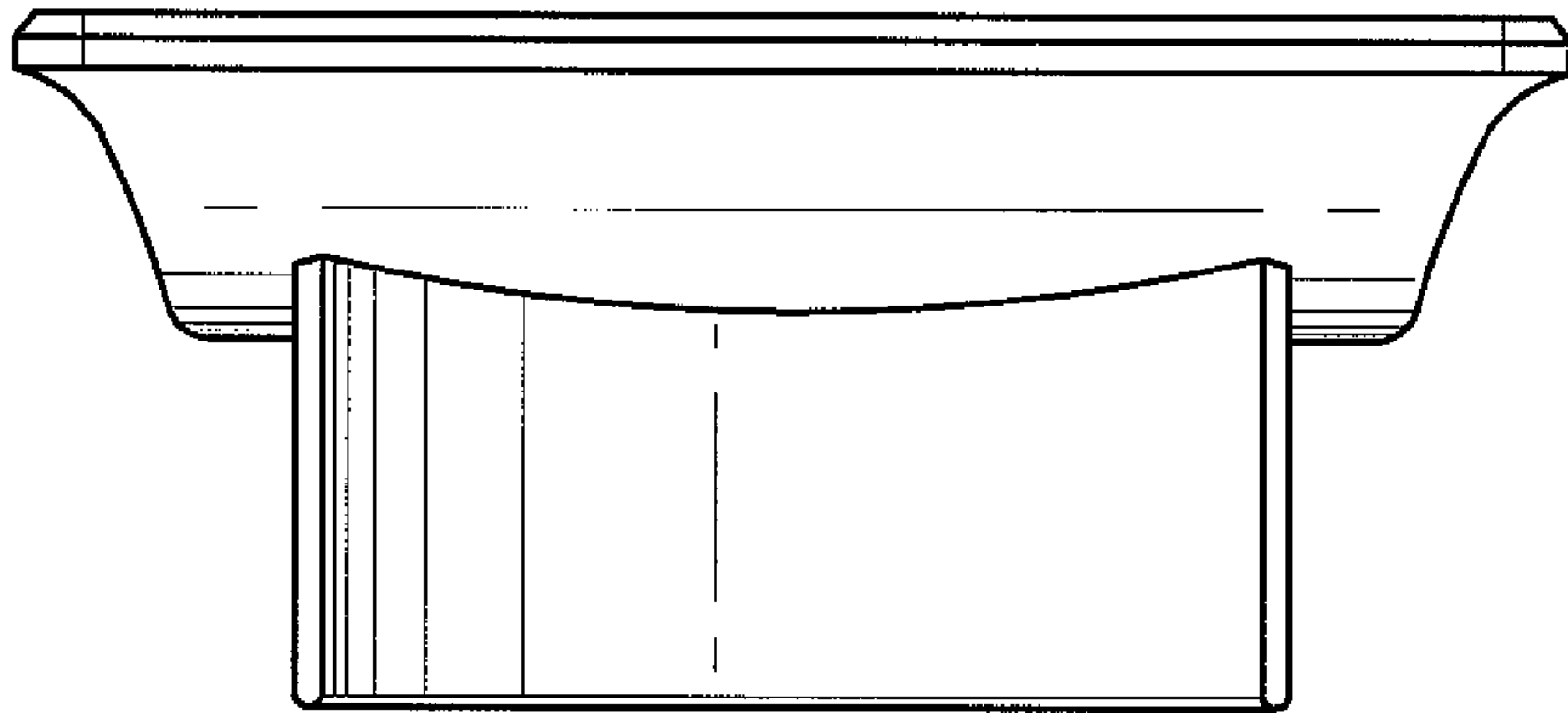


FIG. 6

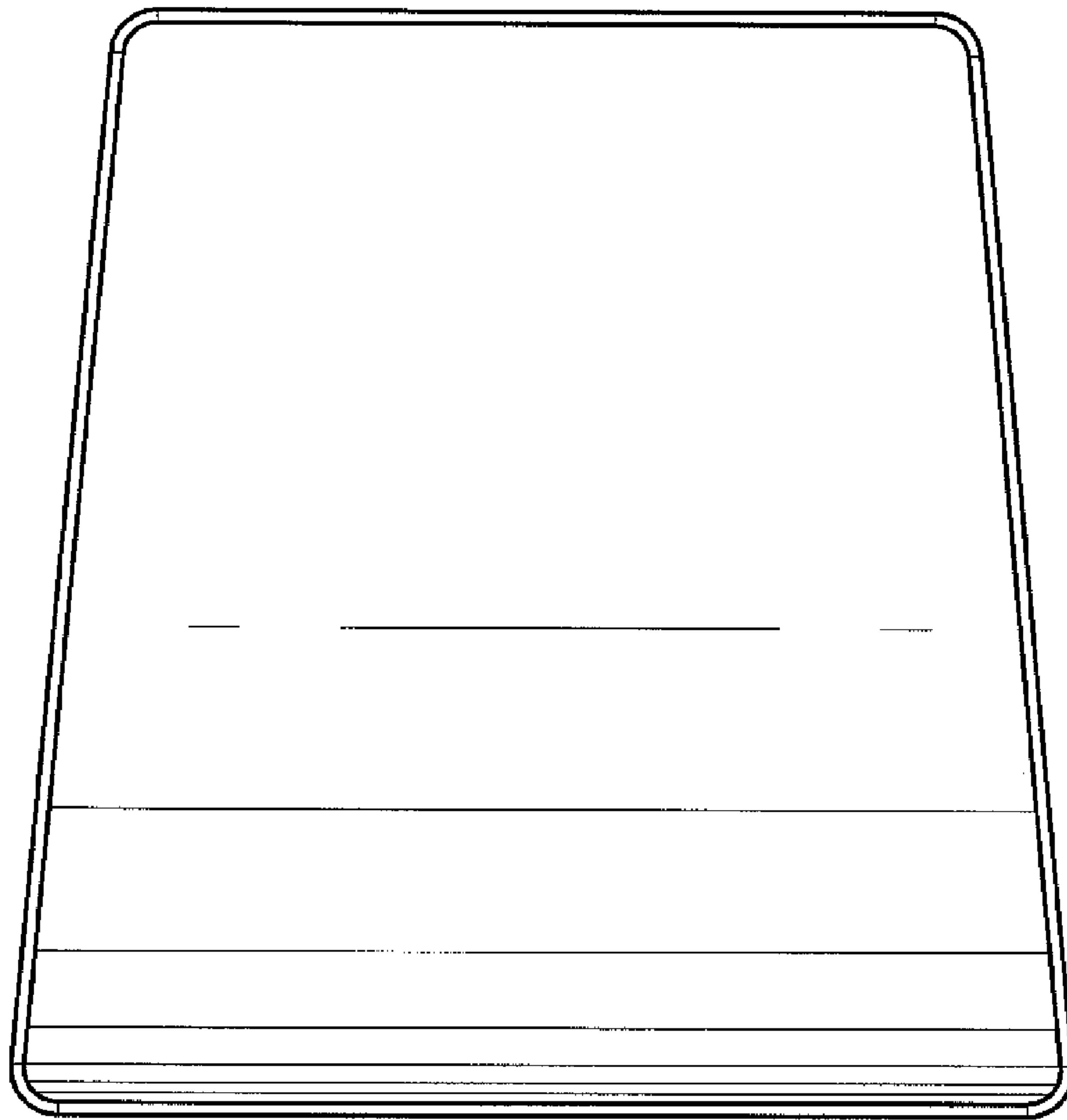


FIG. 7

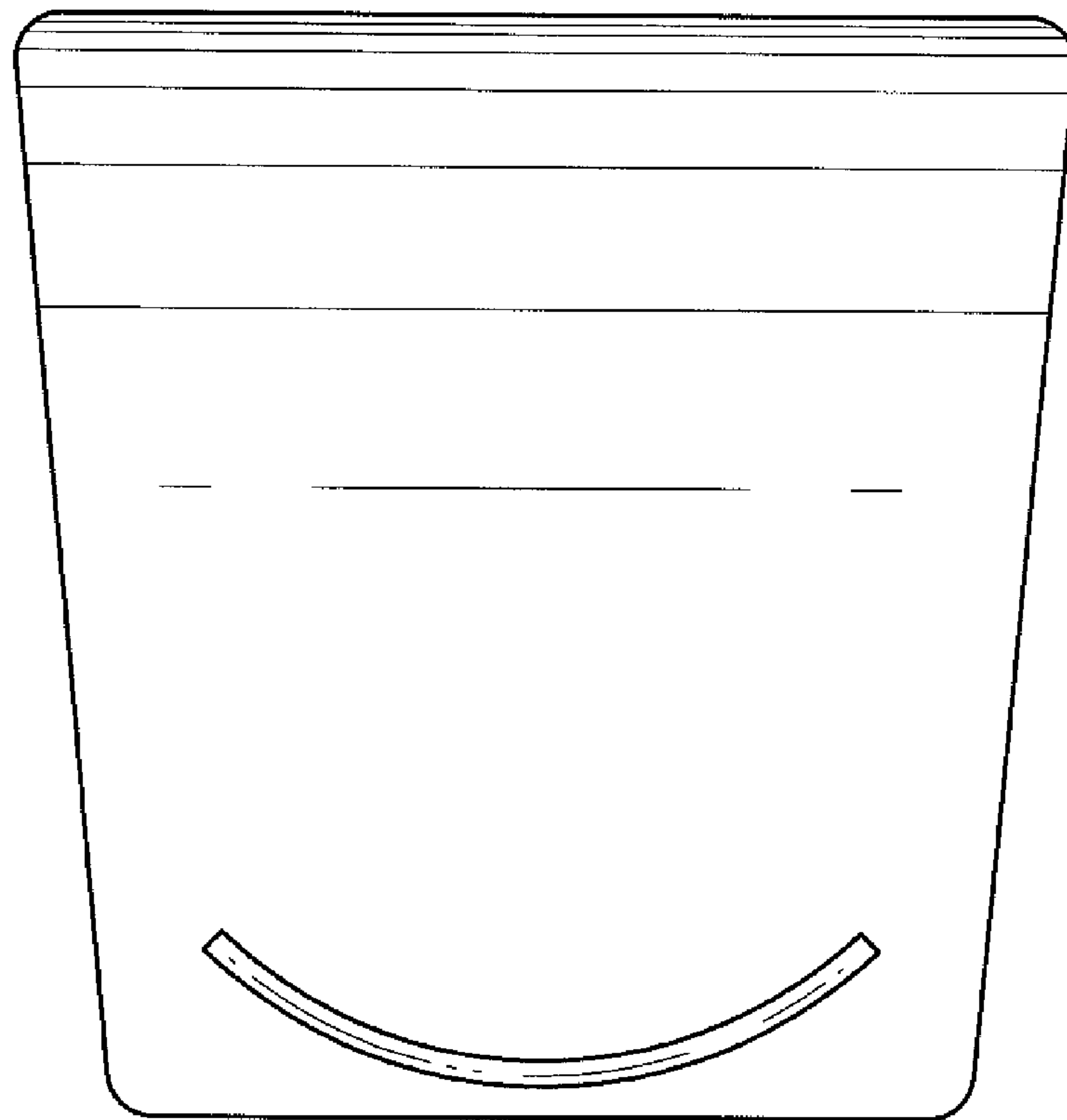


FIG. 8

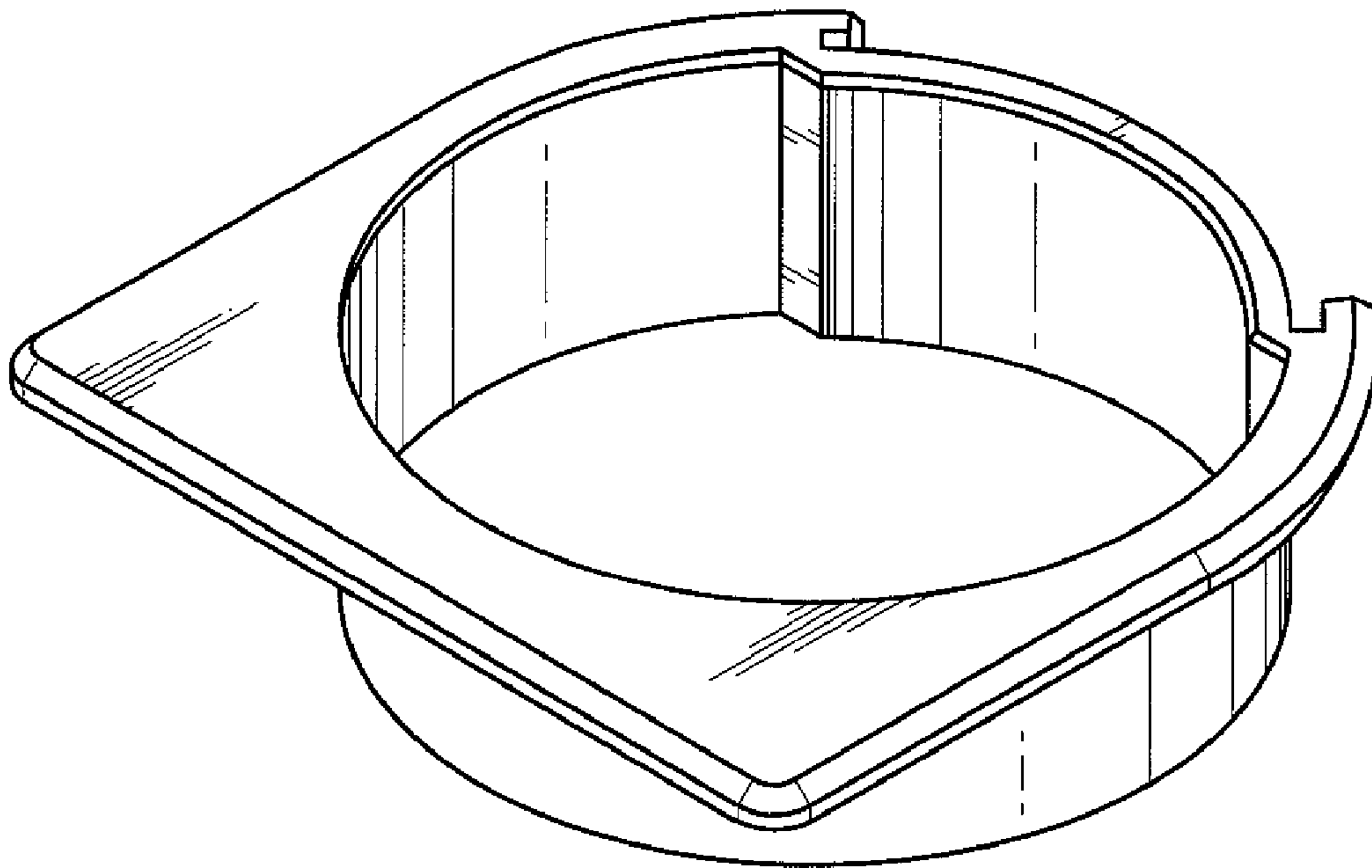


FIG. 9

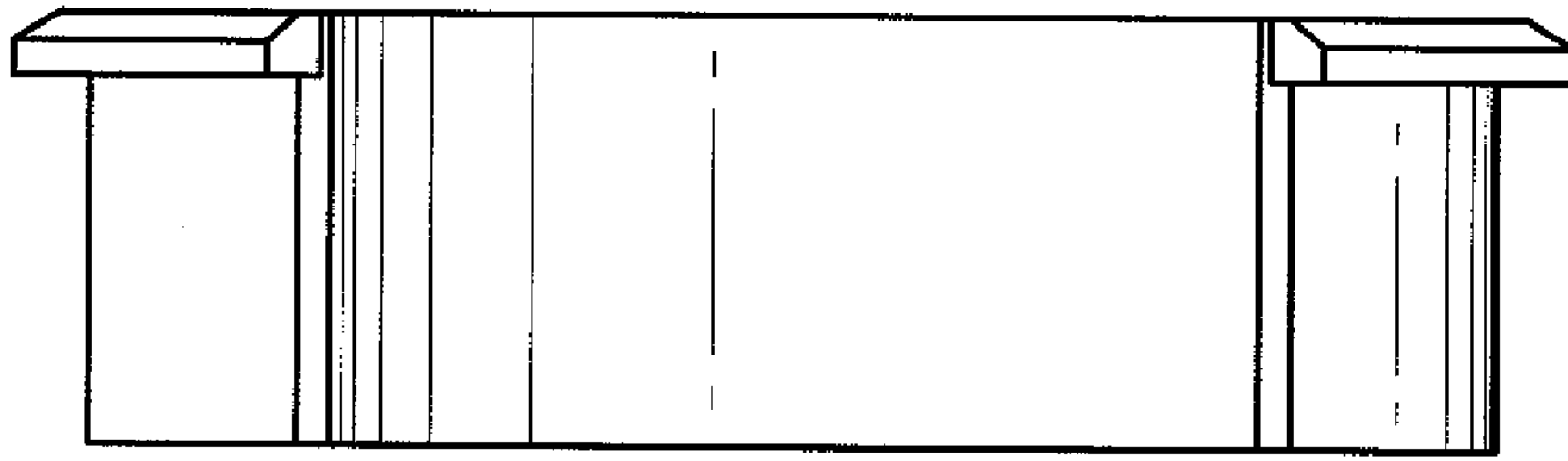


FIG. 10

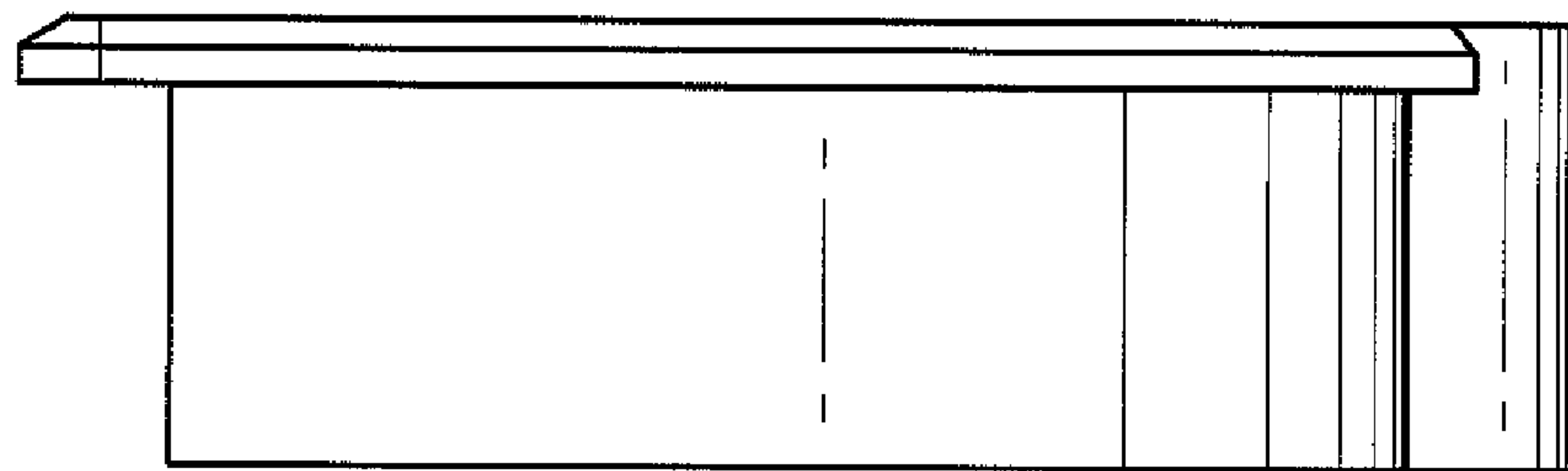


FIG. 11

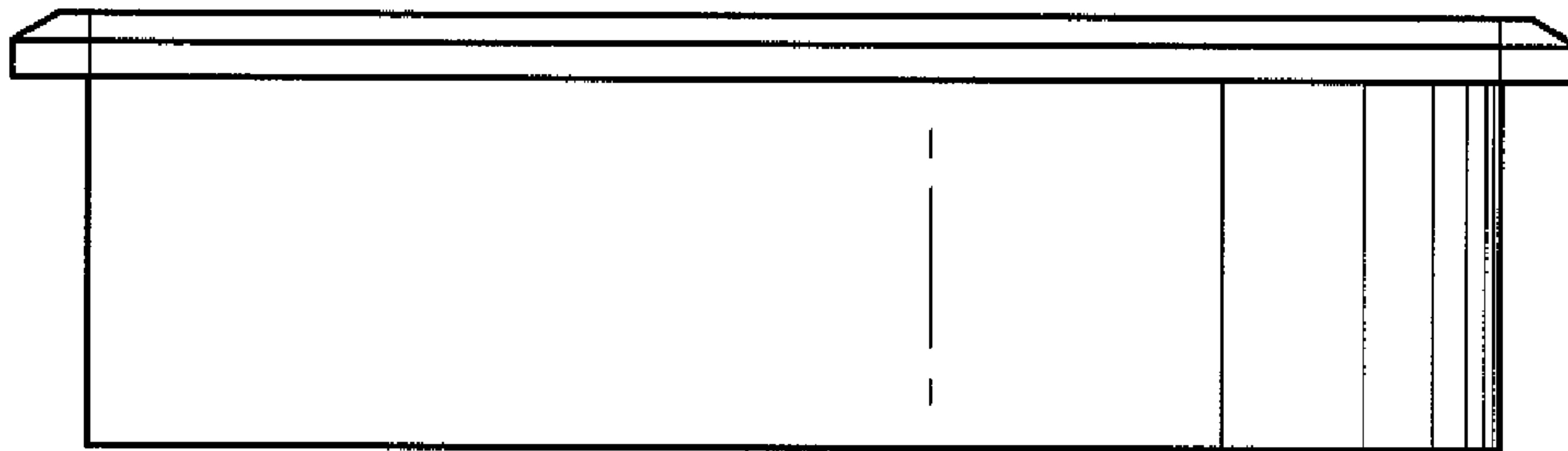


FIG. 12

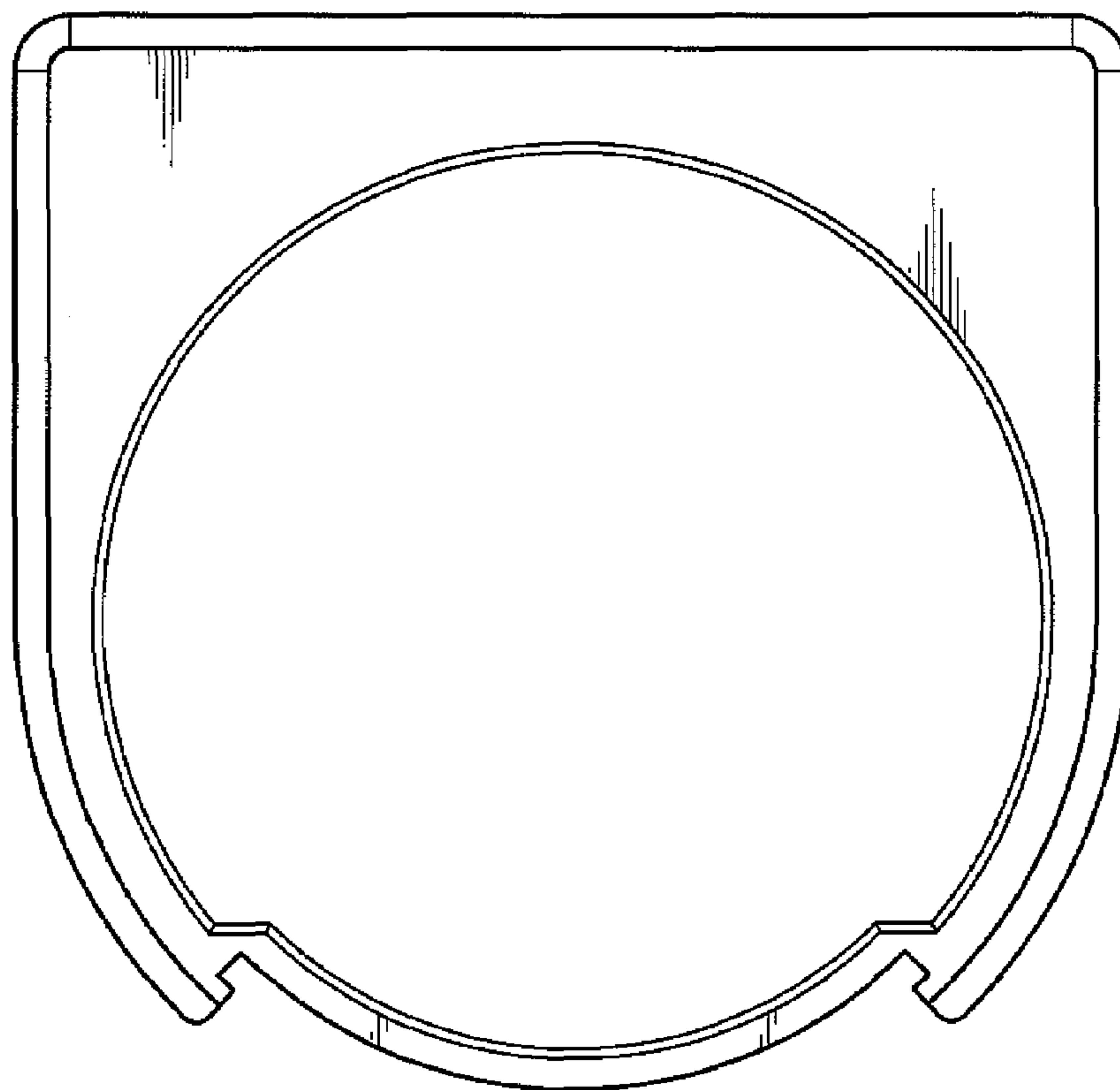


FIG. 13

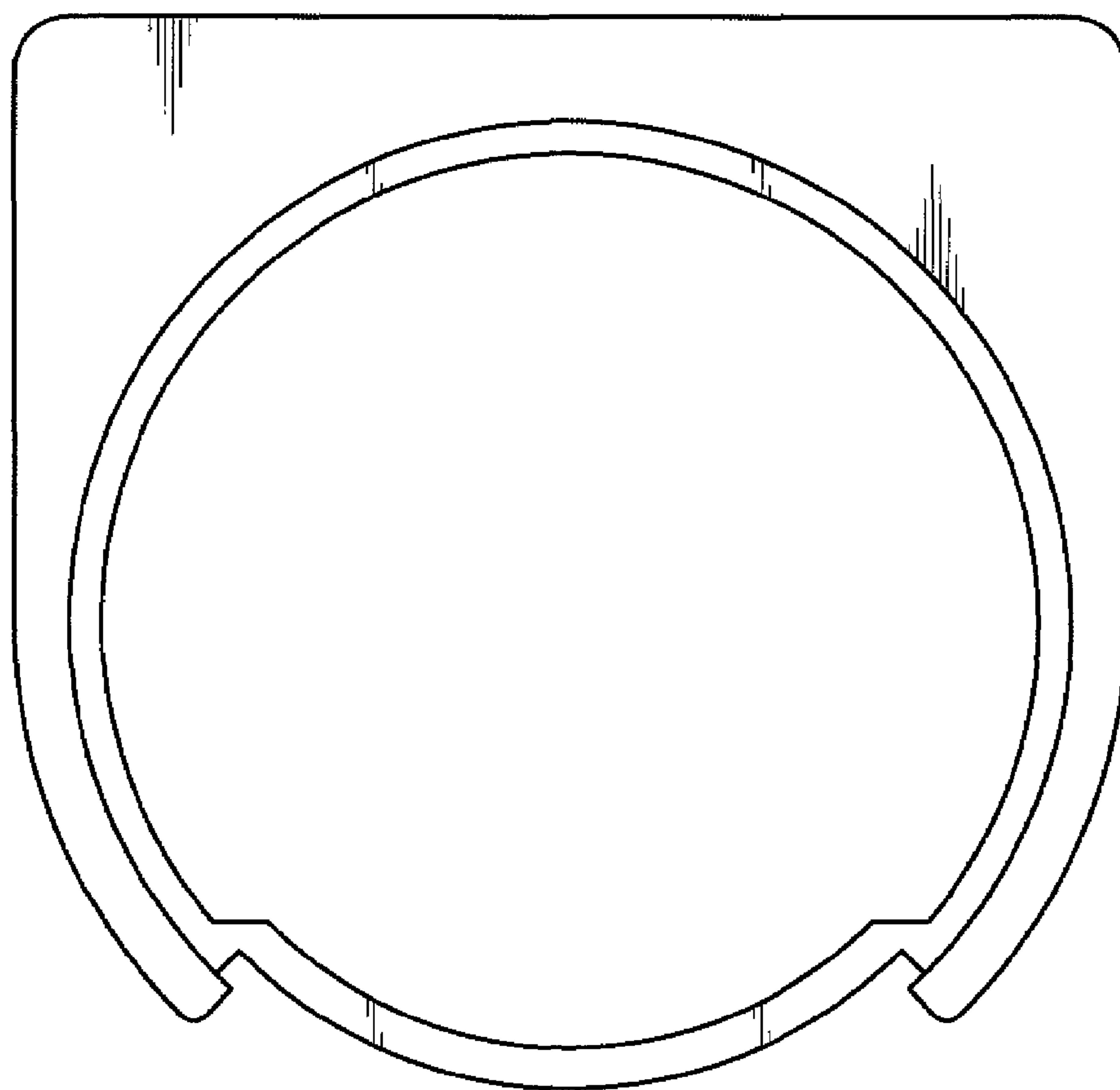


FIG. 14

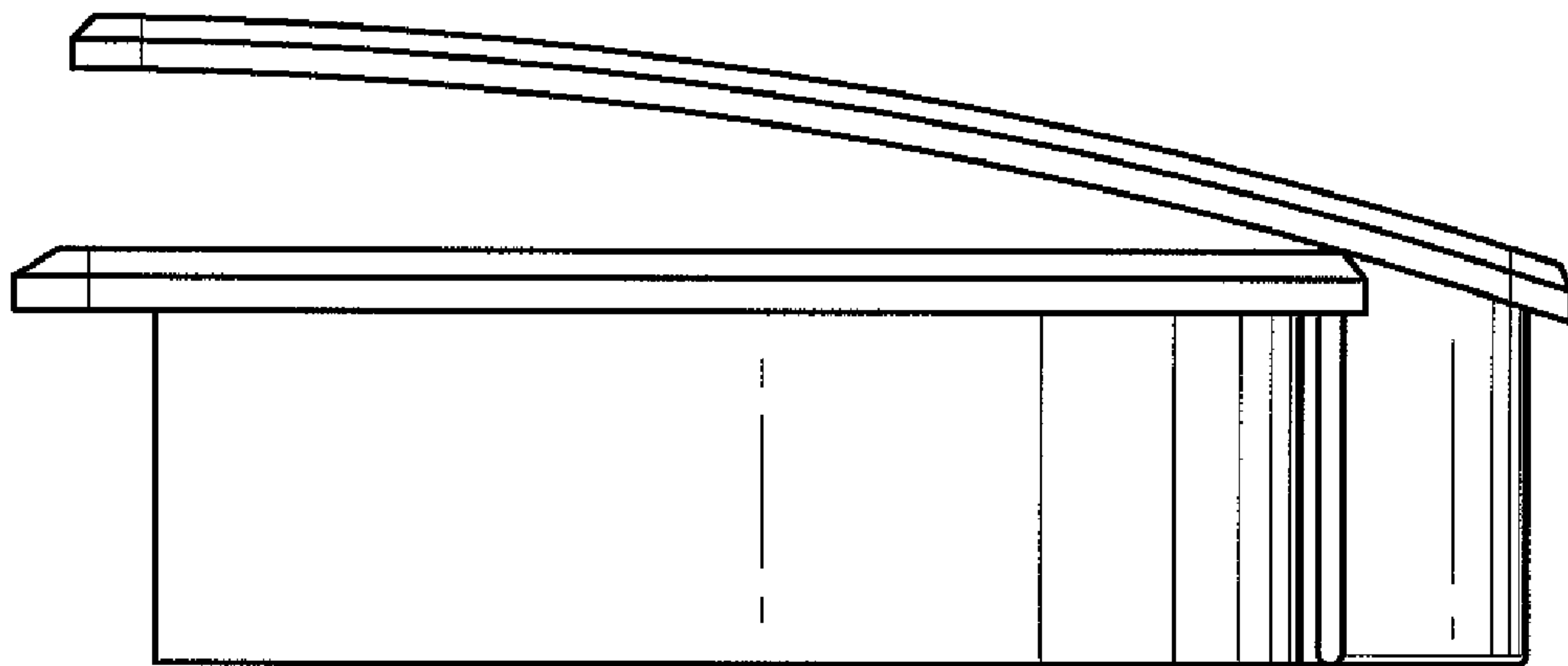


FIG. 15