



US00D593842S

(12) **United States Design Patent**
Corbin

(10) **Patent No.:** **US D593,842 S**
(45) **Date of Patent:** **** Jun. 9, 2009**

(54) **SEPARABLE WALL PLATE FOR COMMUNICATIONS CABLE**

(76) Inventor: **O. Bradley Corbin**, 506 Kingsland Dr., Batavia, IL (US) 60510

(**) Term: **14 Years**

(21) Appl. No.: **29/329,552**

(22) Filed: **Dec. 17, 2008**

(51) **LOC (9) Cl.** **11-05**

(52) **U.S. Cl.** **D8/353**

(58) **Field of Classification Search** D8/350-353, D8/399; D13/156, 177, 152, 154, 158, 173, D13/169, 171, 139.1-139.8, 146, 147, 162; D25/60; D14/159; 292/357; 248/27.3; 174/66, 174/67, 55, 58, 535; 200/303; 220/241, 220/3.92, 3.5-3.8, 242; 439/536, 535, 892
See application file for complete search history.

(56) **References Cited**

U.S. PATENT DOCUMENTS

D126,098 S	3/1941	McIntosh	
D131,010 S	1/1942	Leslie	
D134,477 S	12/1942	Leslie	
4,688,747 A	8/1987	Helmsdorfer et al.	248/56
D294,798 S *	3/1988	Hoehne	D8/353
4,960,317 A	10/1990	Briggs et al.	350/96.21
D321,557 S	11/1991	Bezick et al.	D23/393
5,124,506 A *	6/1992	Briggs et al.	174/67
D342,235 S *	12/1993	Shotey	D13/156
5,484,308 A	1/1996	Gotz et al.	439/536
D370,890 S	6/1996	Tiberio, Jr.	D13/146
5,527,993 A *	6/1996	Shotey et al.	174/67
D379,797 S	6/1997	Arnett	D13/156
5,664,955 A	9/1997	Arnett	439/135
D399,495 S *	10/1998	Bachschnid	D13/177
D399,829 S *	10/1998	Reed	D13/156
D411,734 S	6/1999	Hsiang	D8/353

(Continued)

Primary Examiner—Stella M Reid

Assistant Examiner—Mark A Goodwin

(74) *Attorney, Agent, or Firm*—Thomas, Kayden, Horstemeyer and Risley, LLP

(57) **CLAIM**

The ornamental design for a separable wall plate for communications cable, as shown and described.

DESCRIPTION

FIG. 1 is a perspective view of the separable wall plate for communications cable, showing the left, bottom and front surfaces thereof;

FIG. 2 is a back perspective view, showing the left, upper and back surfaces thereof;

FIG. 3 is a left side view thereof;

FIG. 4 is a right side view thereof;

FIG. 5 is a front elevational view thereof;

FIG. 6 is a rear elevational view thereof;

FIG. 7 is a top view thereof;

FIG. 8 is a bottom view thereof;

FIG. 9 is a front perspective view thereof, showing the lower portion of the wall plate hinged away from the upper portion of the wall plate;

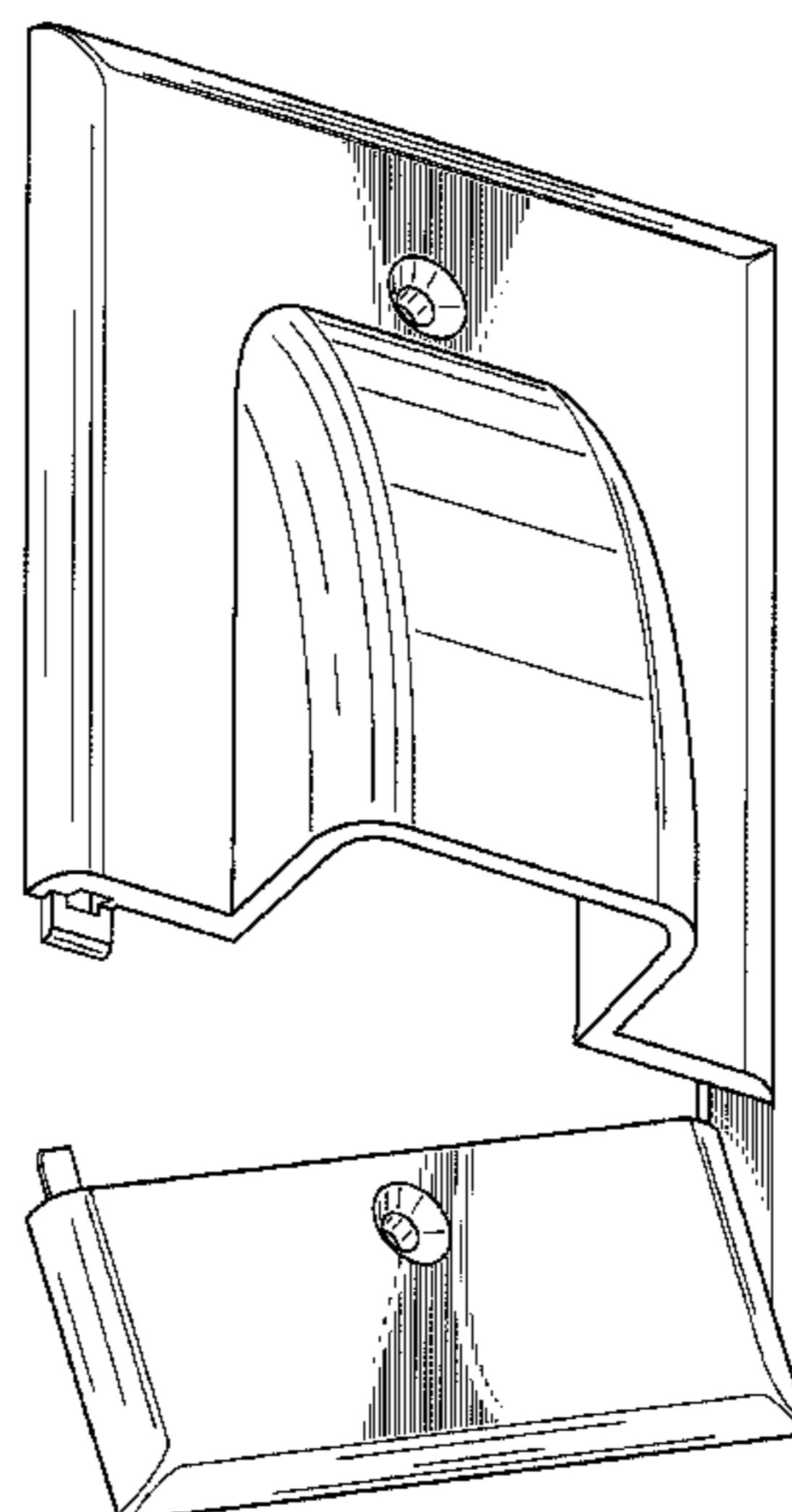
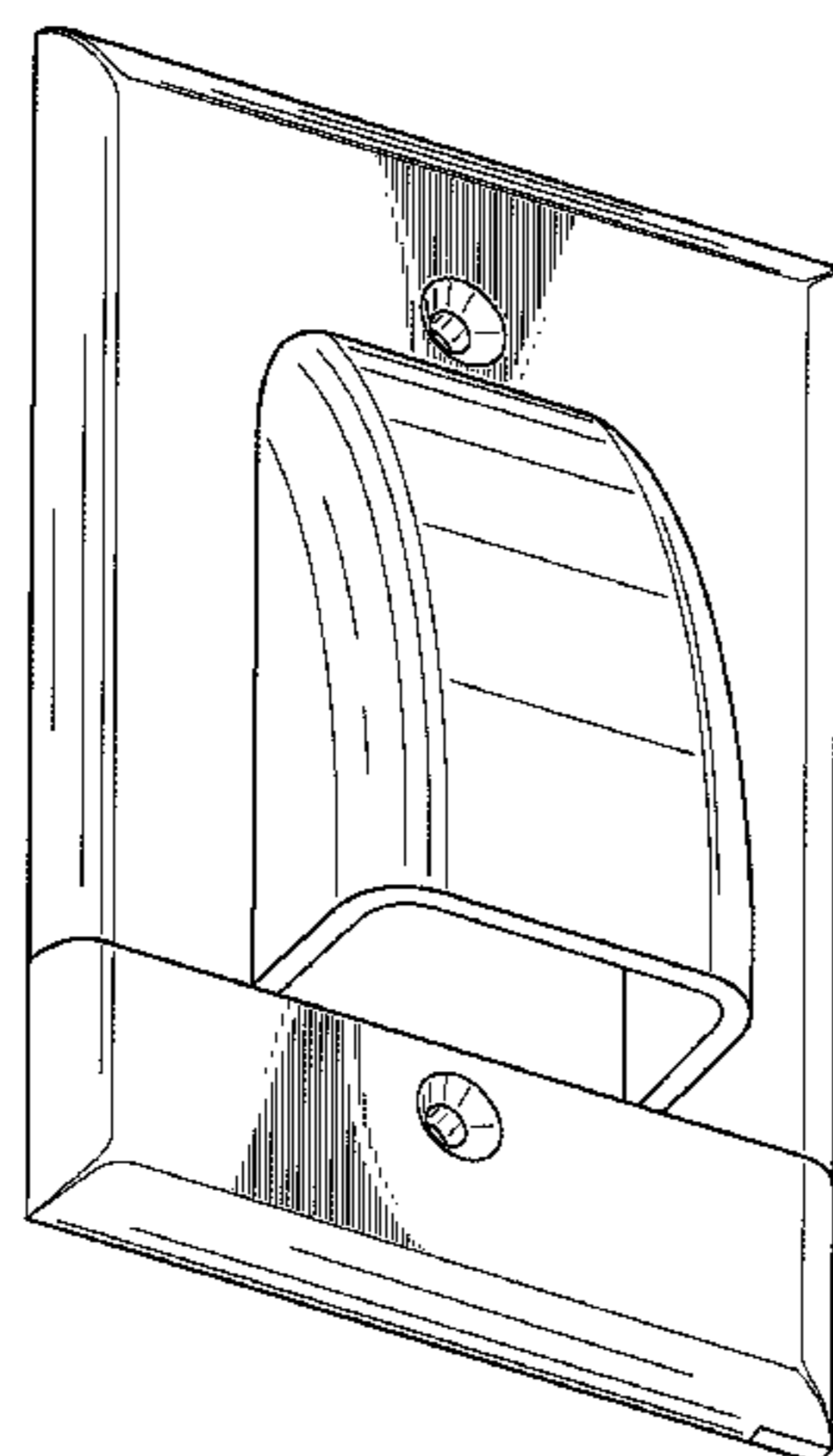
FIG. 10 is a front elevational view thereof, showing the lower portion of the wall plate hinged away from the upper portion of the wall plate;

FIG. 11 is a back view thereof, showing the lower portion of the wall plate hinged away from the upper portion of the wall plate;

FIG. 12 is a left side view thereof, showing the lower portion of the wall plate hinged away from the upper portion of the wall plate; and,

FIG. 13 is a right side view thereof, showing the lower portion of the wall plate hinged away from the upper portion of the wall plate.

1 Claim, 10 Drawing Sheets



US D593,842 S

Page 2

U.S. PATENT DOCUMENTS

D430,149 S	8/2000	Afshar-Ghochani	D14/240	D540,656 S	4/2007	Corbin	D8/353
6,222,124 B1 *	4/2001	Pritchard et al.	174/66	D553,475 S *	10/2007	Gorin et al.	D8/353
D449,584 S *	10/2001	Dinh	D13/156	D554,475 S *	11/2007	Gorin et al.	D8/353
D503,156 S	3/2005	Provenzano	D13/156	D577,280 S *	9/2008	Parker	D8/353
6,913,369 B2 *	7/2005	Chadwick	362/147	D577,987 S *	10/2008	Corbin	D8/353
6,916,989 B2 *	7/2005	Broussard, Jr.	174/66	D579,882 S *	11/2008	Corbin	D13/177
7,112,744 B1	9/2006	DeCosta	174/66	2004/0074663 A1 *	4/2004	Broussard, Jr.	174/67
7,164,083 B1 *	1/2007	Carroll	174/67	2007/0187129 A1 *	8/2007	Gorin et al.	174/67

* cited by examiner

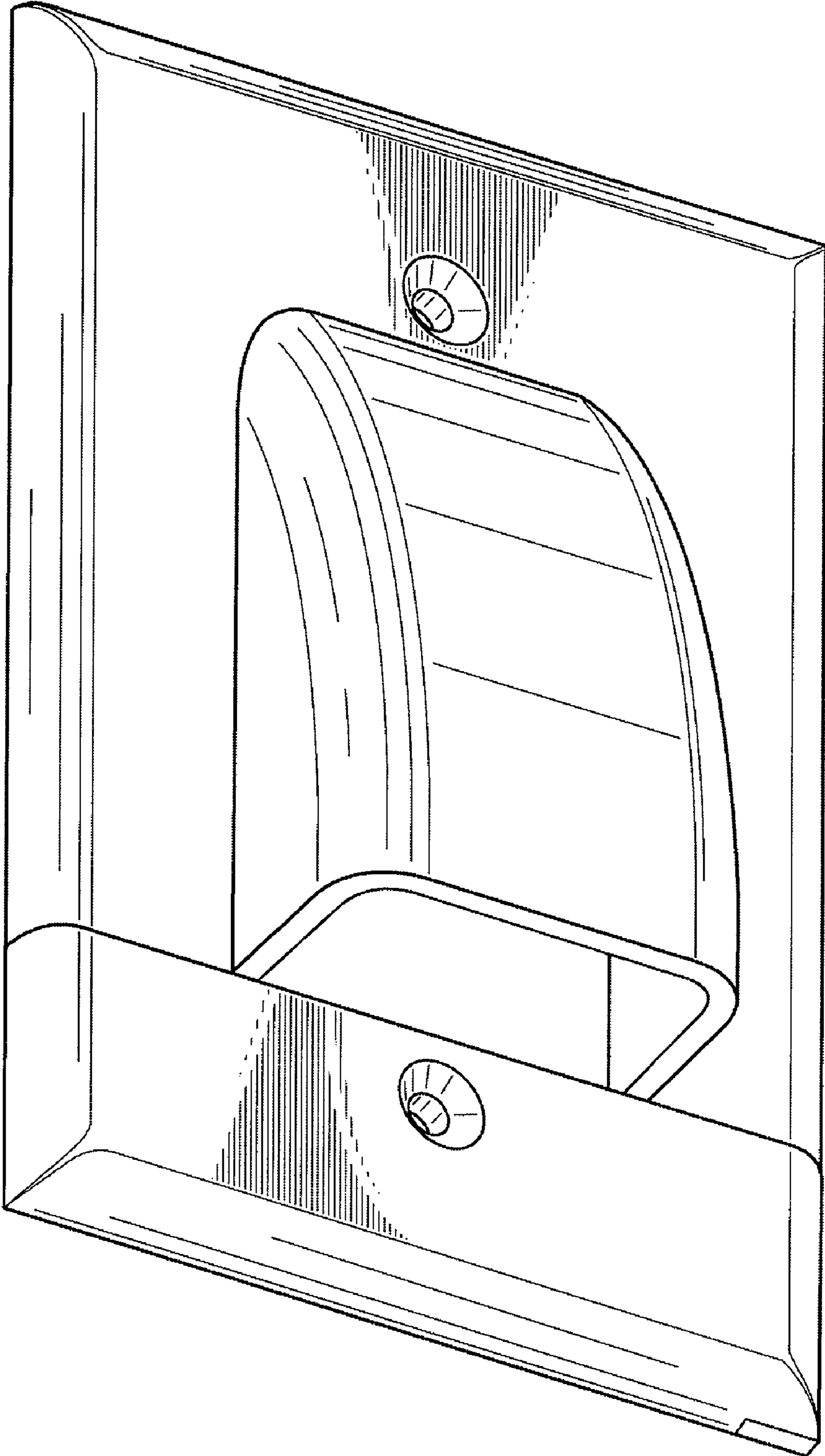


Fig. 1

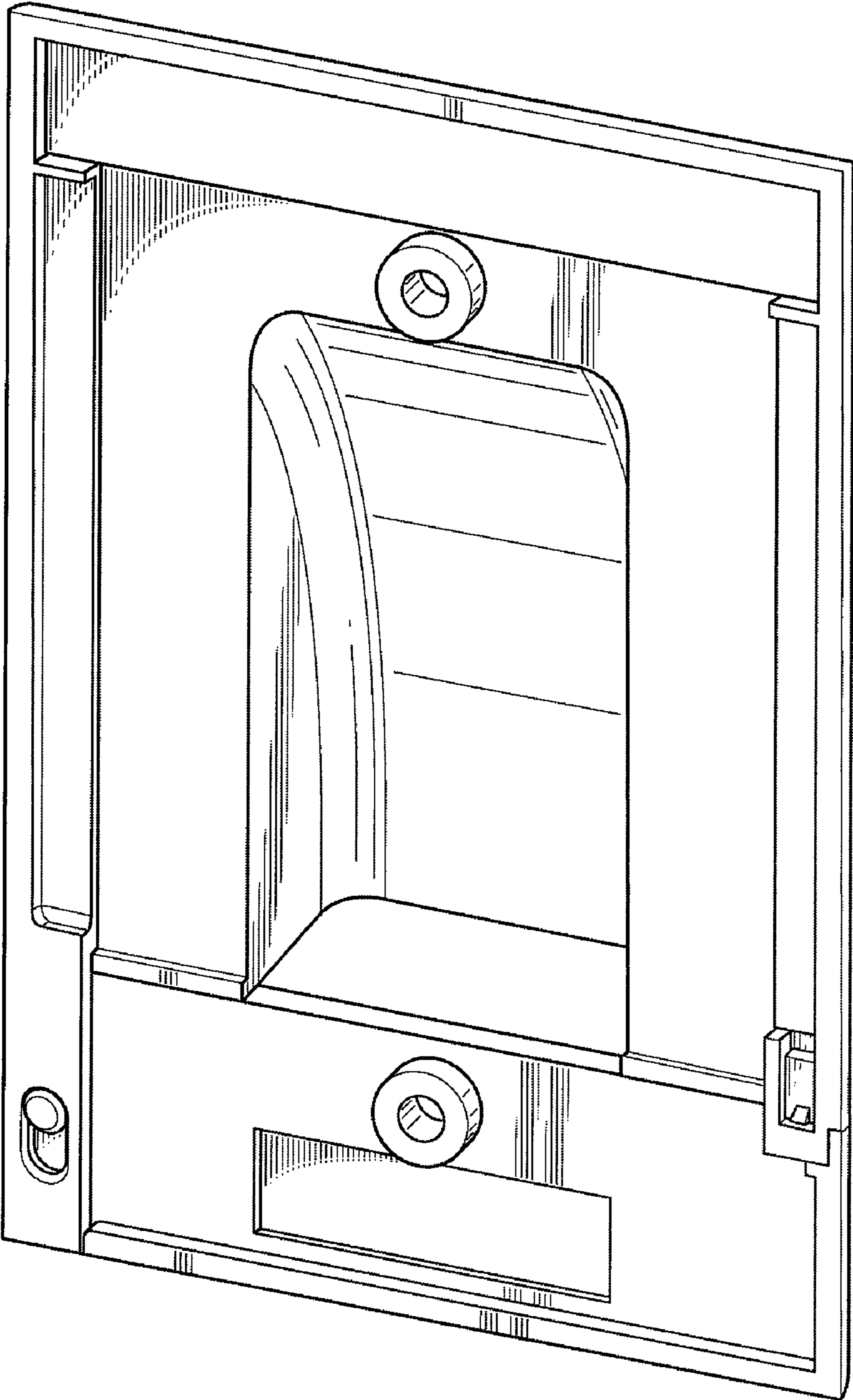


Fig. 2



Fig. 3

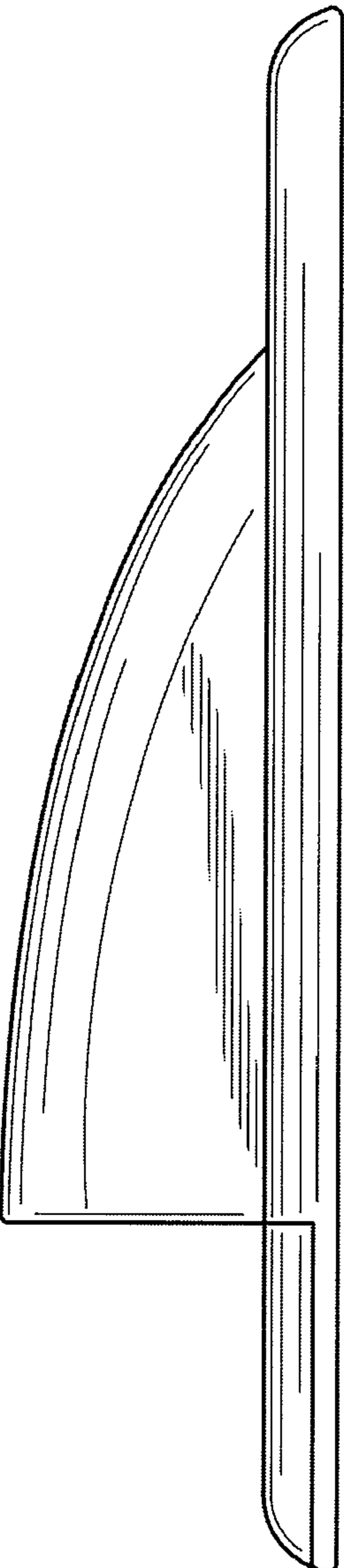


Fig. 4

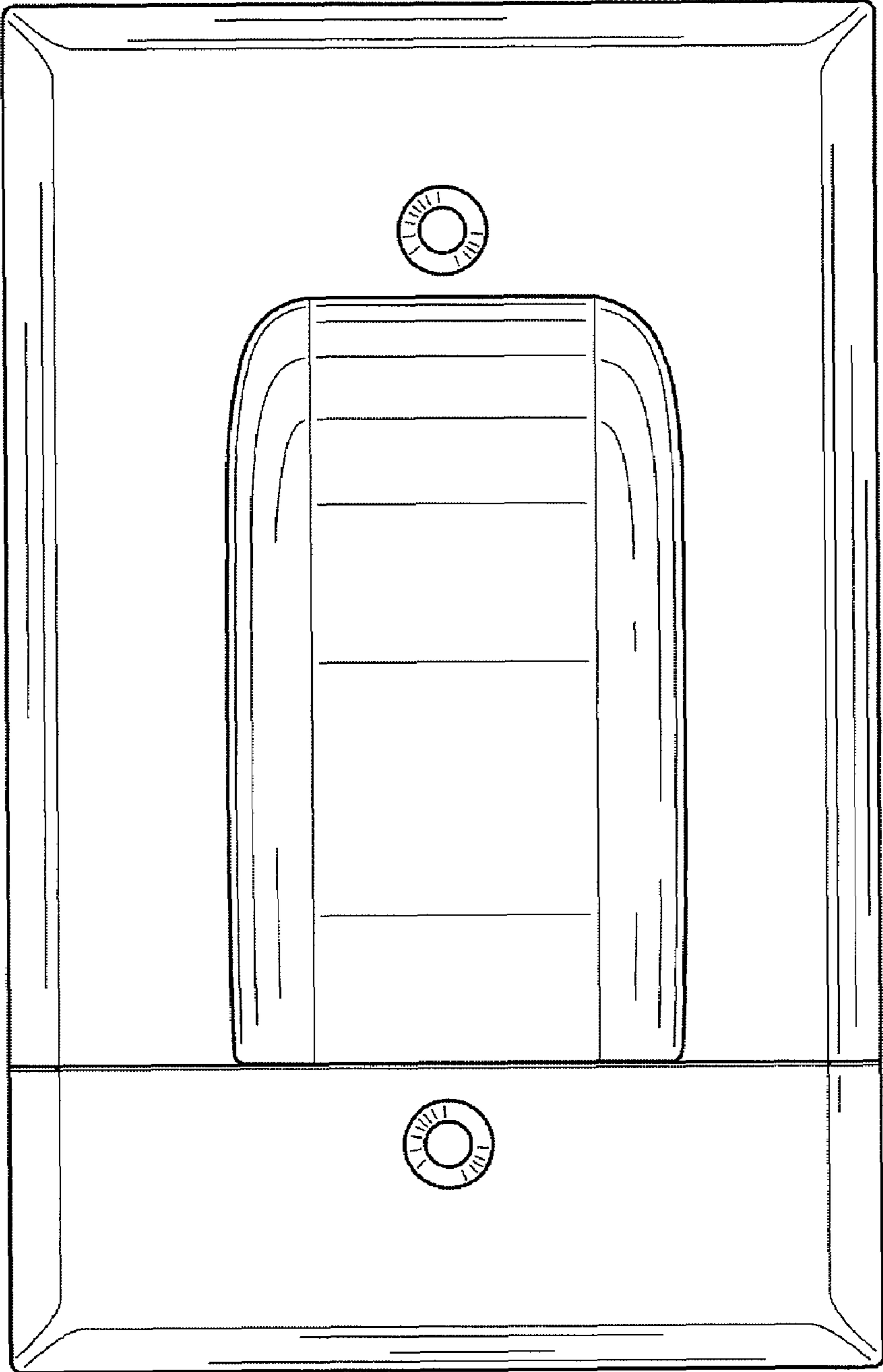


Fig. 5

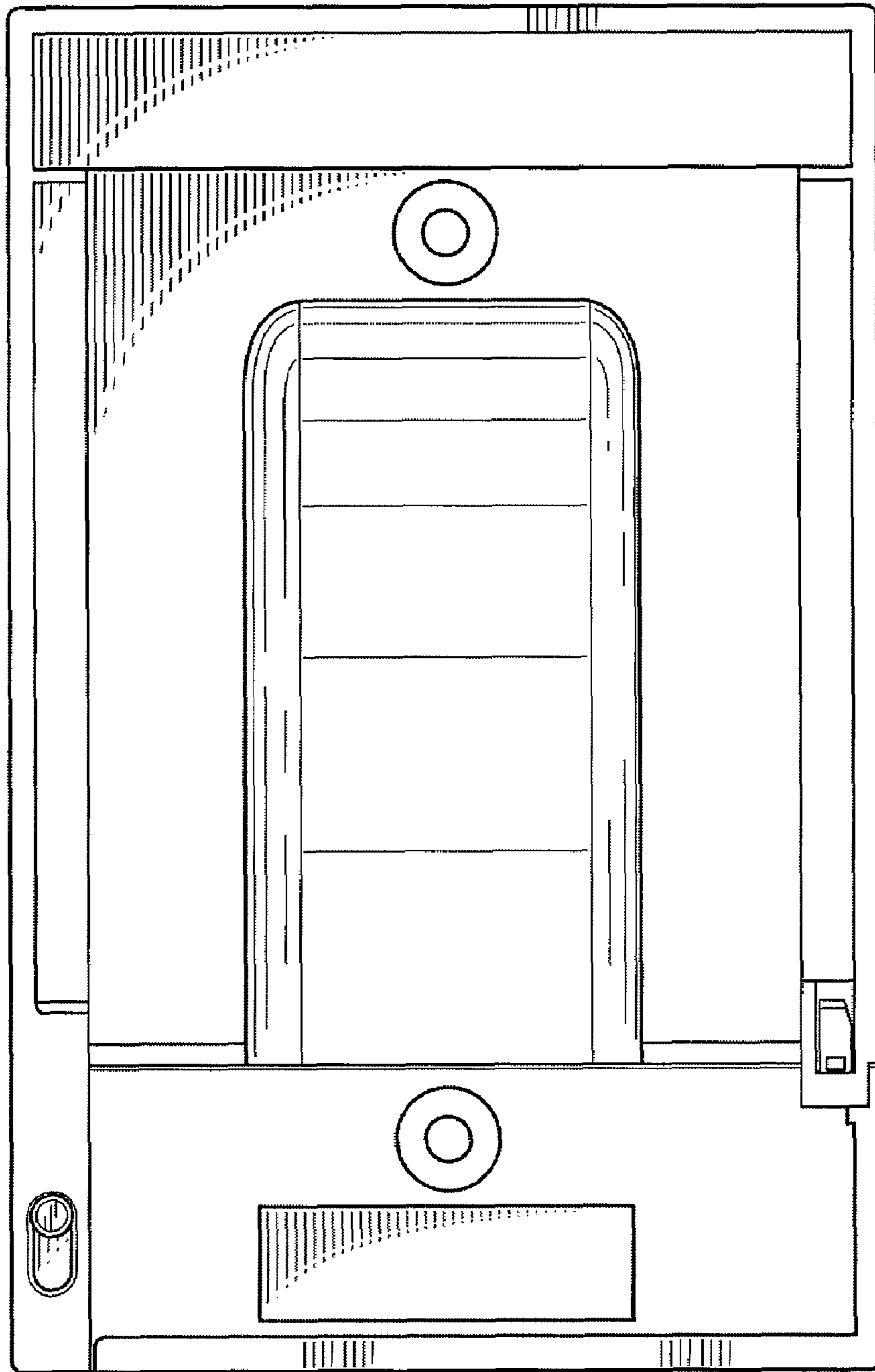


Fig. 6

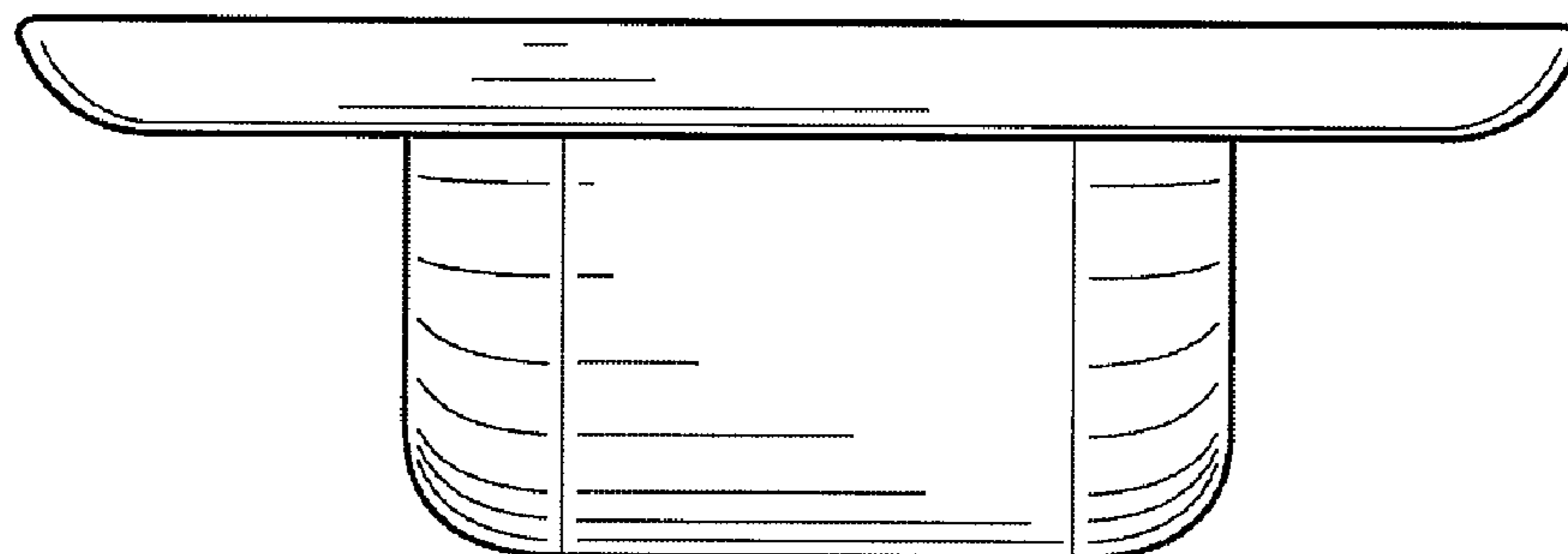


Fig. 7

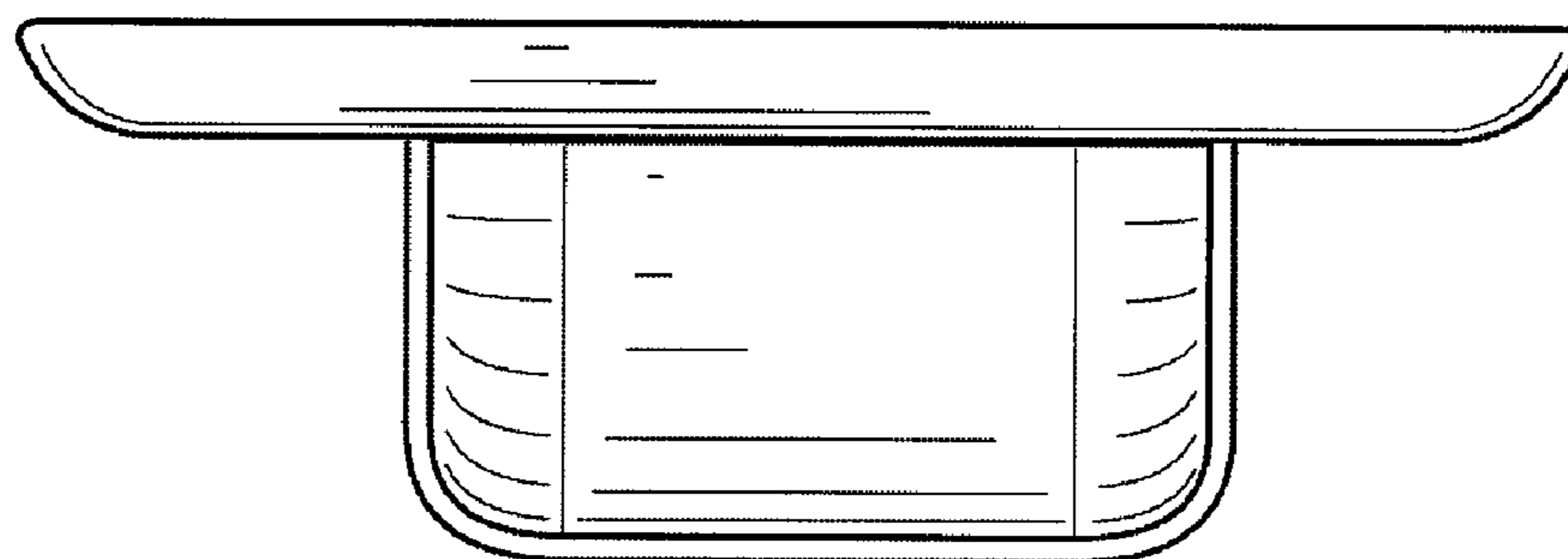


Fig. 8

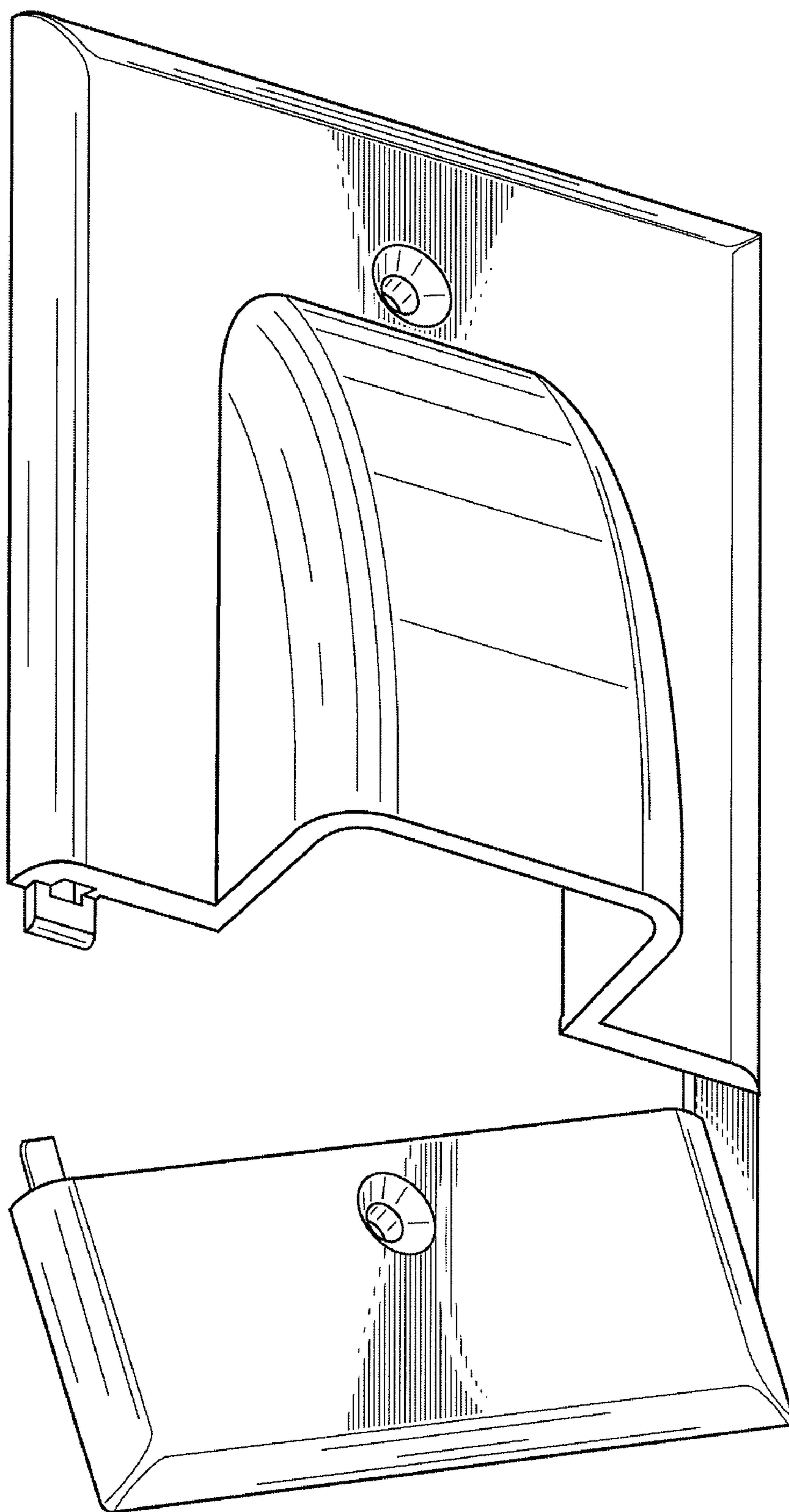


Fig. 9

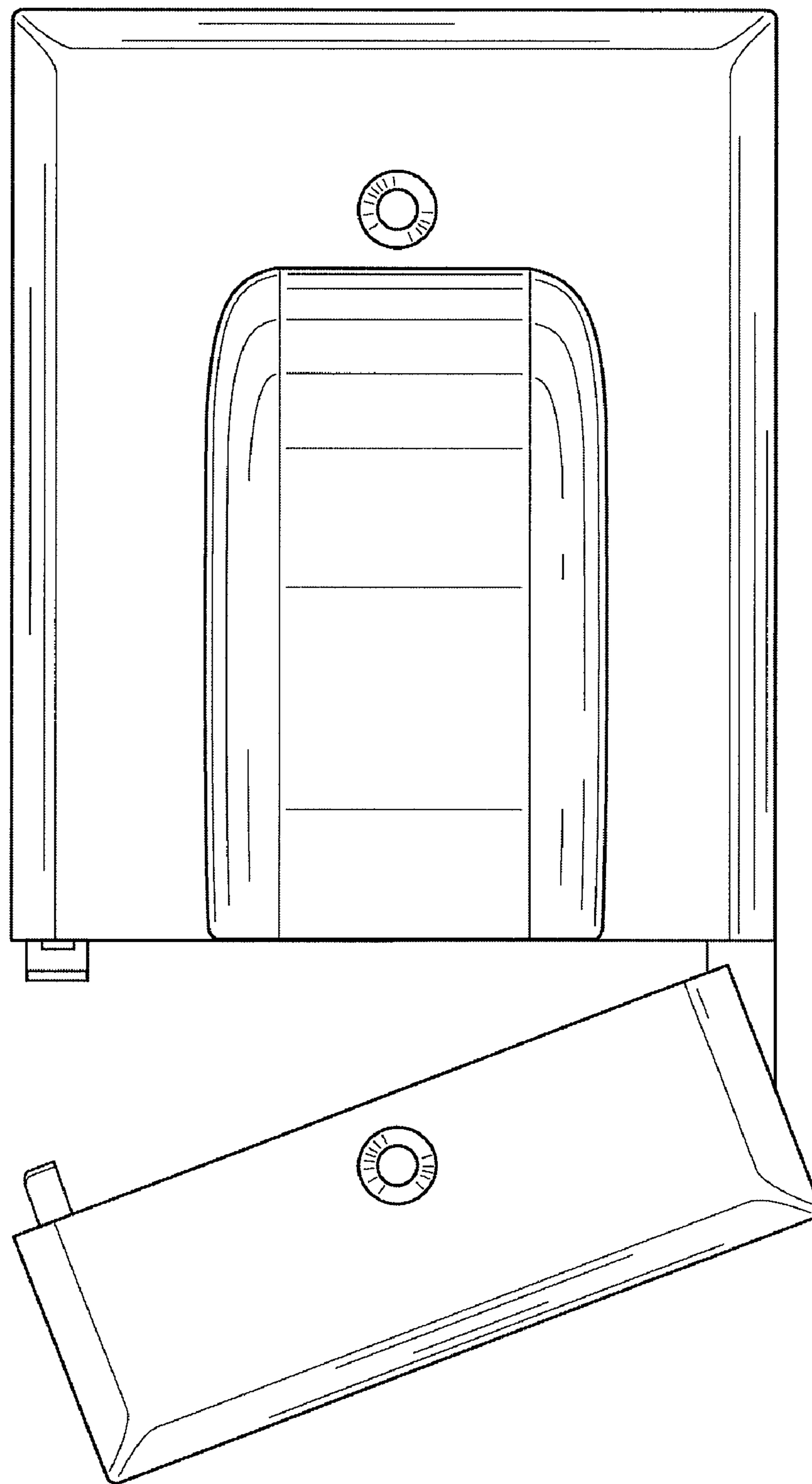


Fig. 10

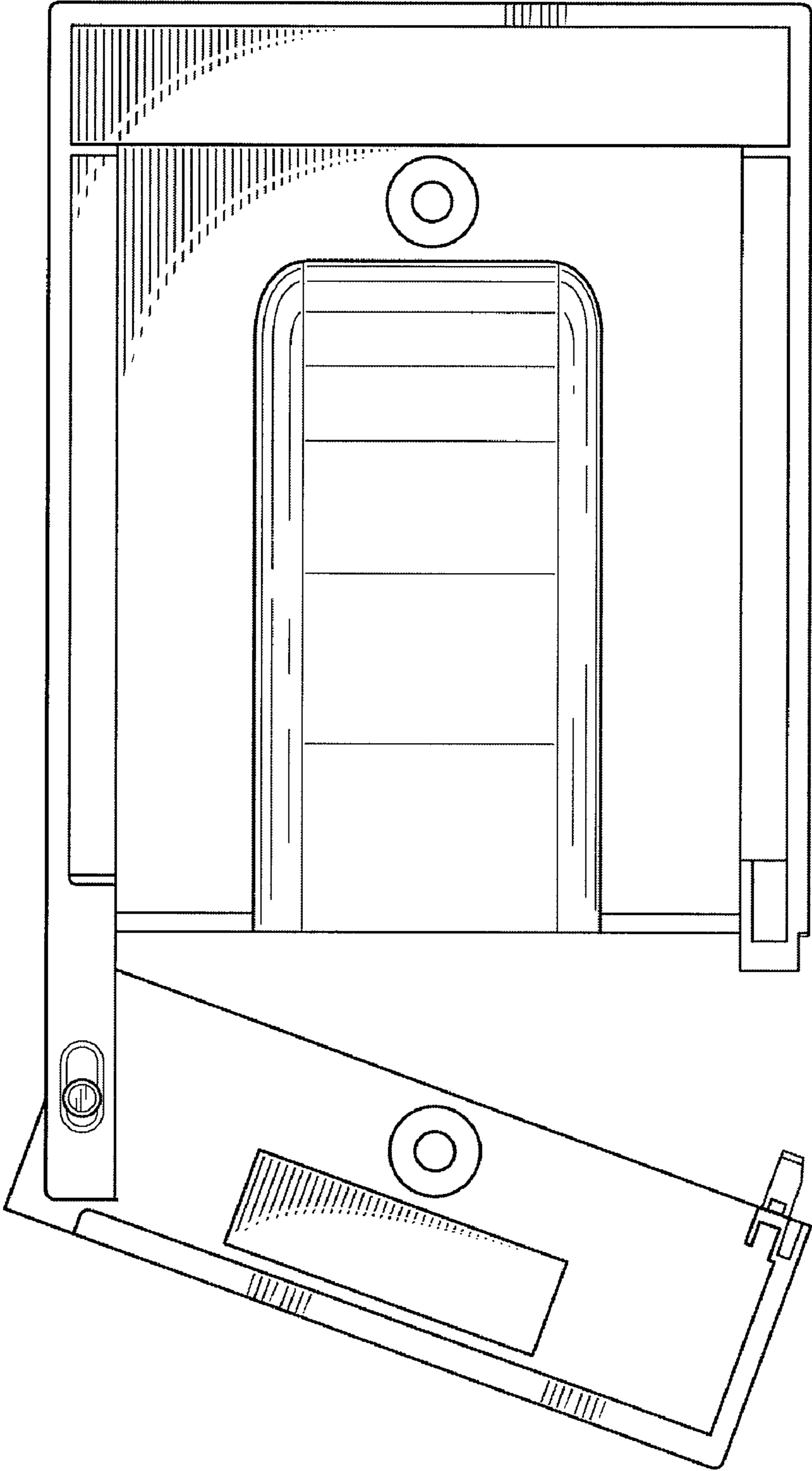


Fig. 11



Fig. 12

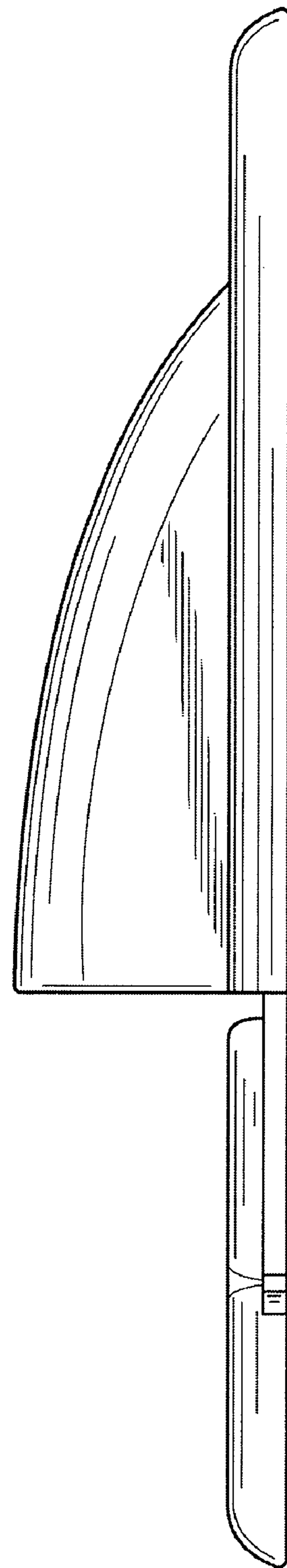


Fig. 13