



US00D593841S

(12) **United States Design Patent**
Liang et al.

(10) **Patent No.:** **US D593,841 S**
(45) **Date of Patent:** **** Jun. 9, 2009**

(54) **TILT LATCH**

(76) Inventors: **Luke Liang**, 500 Metuchen Rd., South Plainfield, NJ (US) 07080; **Toni Liang**, Suite 1712, 195 Yanjiang Road, Guangzhou (CN) 510115; **David Chen**, Suite 304#, 1000 Tiefangbei Road, Guangzhou (CN)

(**) Term: **14 Years**

(21) Appl. No.: **29/293,888**

(22) Filed: **Dec. 14, 2007**

(51) **LOC (9) Cl.** **08-07**

(52) **U.S. Cl.** **D8/343**

(58) **Field of Classification Search** D8/330,
D8/331, 343, 339, 344, 302; 70/77, 81, 141;
292/32, 92, 137, 202-204, 217, 224, 336.3,
292/347, 358, 359, DIG. 20, DIG. 47, DIG. 68,
292/240, 242, 197; 49/181, 185
See application file for complete search history.

(56) **References Cited**

U.S. PATENT DOCUMENTS

5,139,291	A *	8/1992	Schultz	292/42
D415,671	S *	10/1999	Schultz	D8/331
6,021,603	A *	2/2000	Prete et al.	49/183
D442,848	S *	5/2001	Schultz et al.	D8/343
D456,688	S *	5/2002	Polowinczak et al.	D8/302
6,874,826	B1 *	4/2005	Polowinczak et al.	292/175
D514,426	S *	2/2006	Eenigenburg	D8/339

D533,434	S *	12/2006	Riblett et al.	D8/331
2003/0205903	A1 *	11/2003	Kelley et al.	292/241
2007/0222233	A1 *	9/2007	Liang et al.	292/338
2007/0284891	A1 *	12/2007	Polowinczak et al.	292/175
2008/0012352	A1 *	1/2008	Eenigenburg et al.	292/175

* cited by examiner

Primary Examiner—Prabhakar Deshmukh
(74) *Attorney, Agent, or Firm*—Thomas A. O'Rourke; Bodner & O'Rourke, LLP

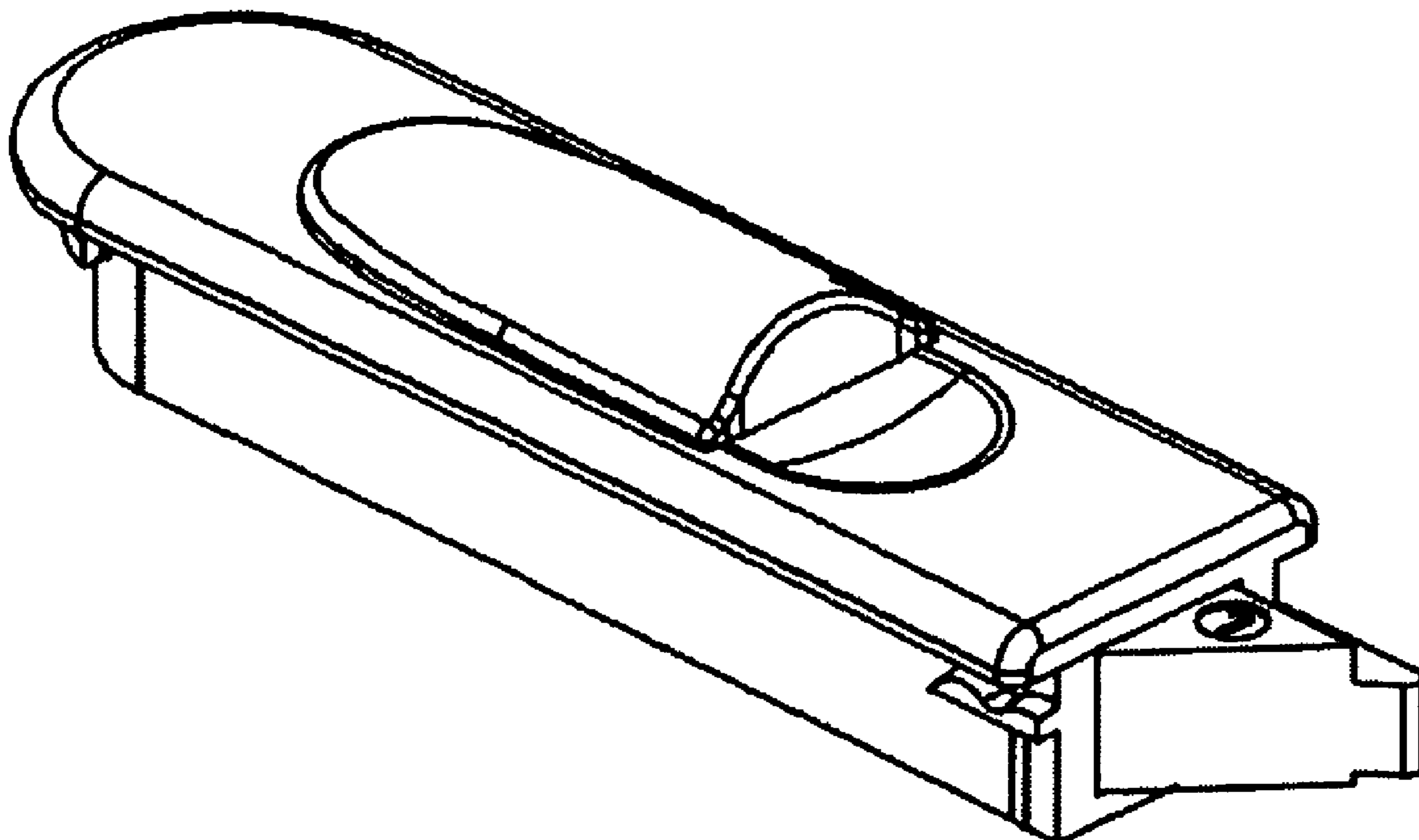
(57) **CLAIM**

We claim the ornamental design for a tilt latch, as shown and described.

DESCRIPTION

FIG. 1 is a side view of the tilt latch of the present invention; FIG. 2 is an end view of the tilt latch of FIG. 1 taken from the right side of FIG. 1; FIG. 3 is a side perspective view of the tilt latch of FIG. 1; FIG. 4 is a side perspective view of the tilt latch of FIG. 1 taken from the side opposite the side shown in FIG. 3; FIG. 5 is a top perspective view of the tilt latch of FIG. 1; FIG. 6 is an end view of the tilt latch of FIG. 1 taken from the side opposite the end of FIG. 2; FIG. 7 is a top view of the tilt latch of FIG. 1; and, FIG. 8 is a side view of the tilt latch of FIG. 1 taken from the side opposite the side of FIG. 1.

1 Claim, 3 Drawing Sheets



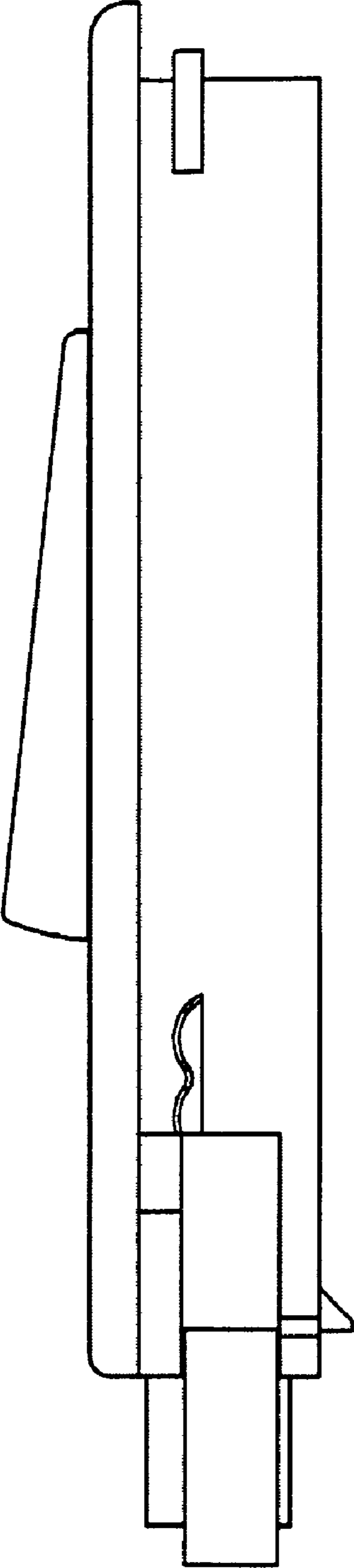


FIG. 1

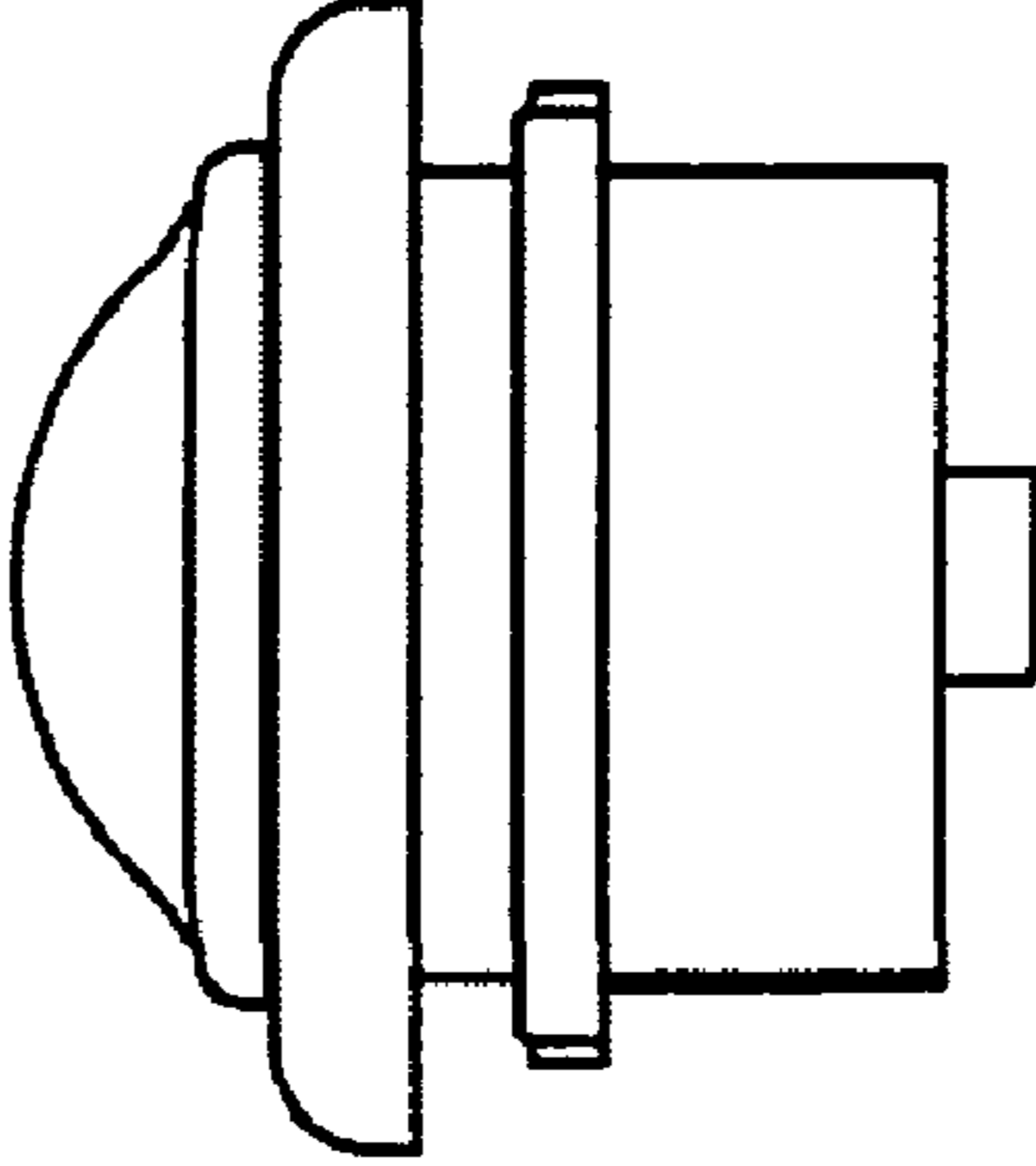
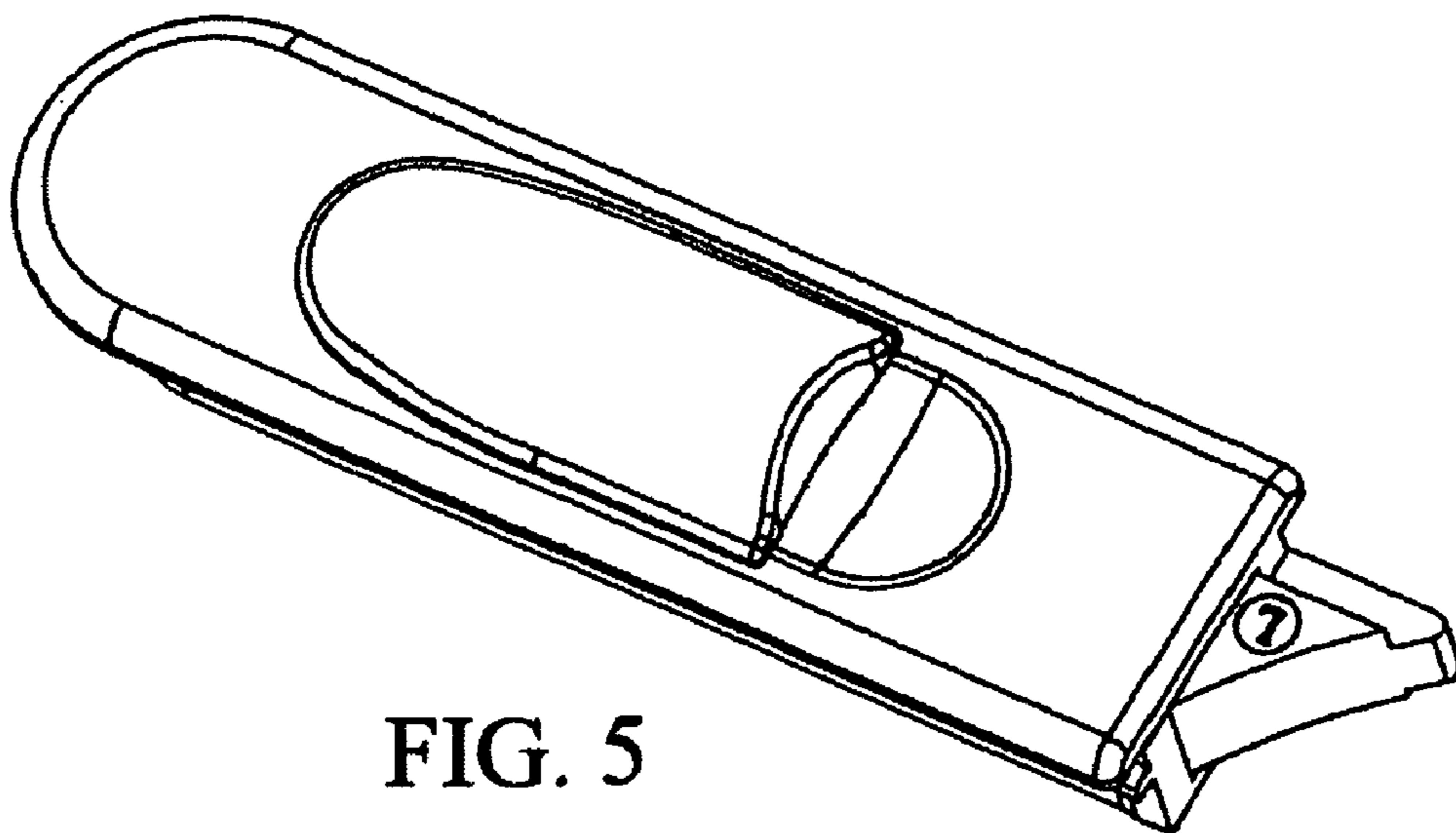
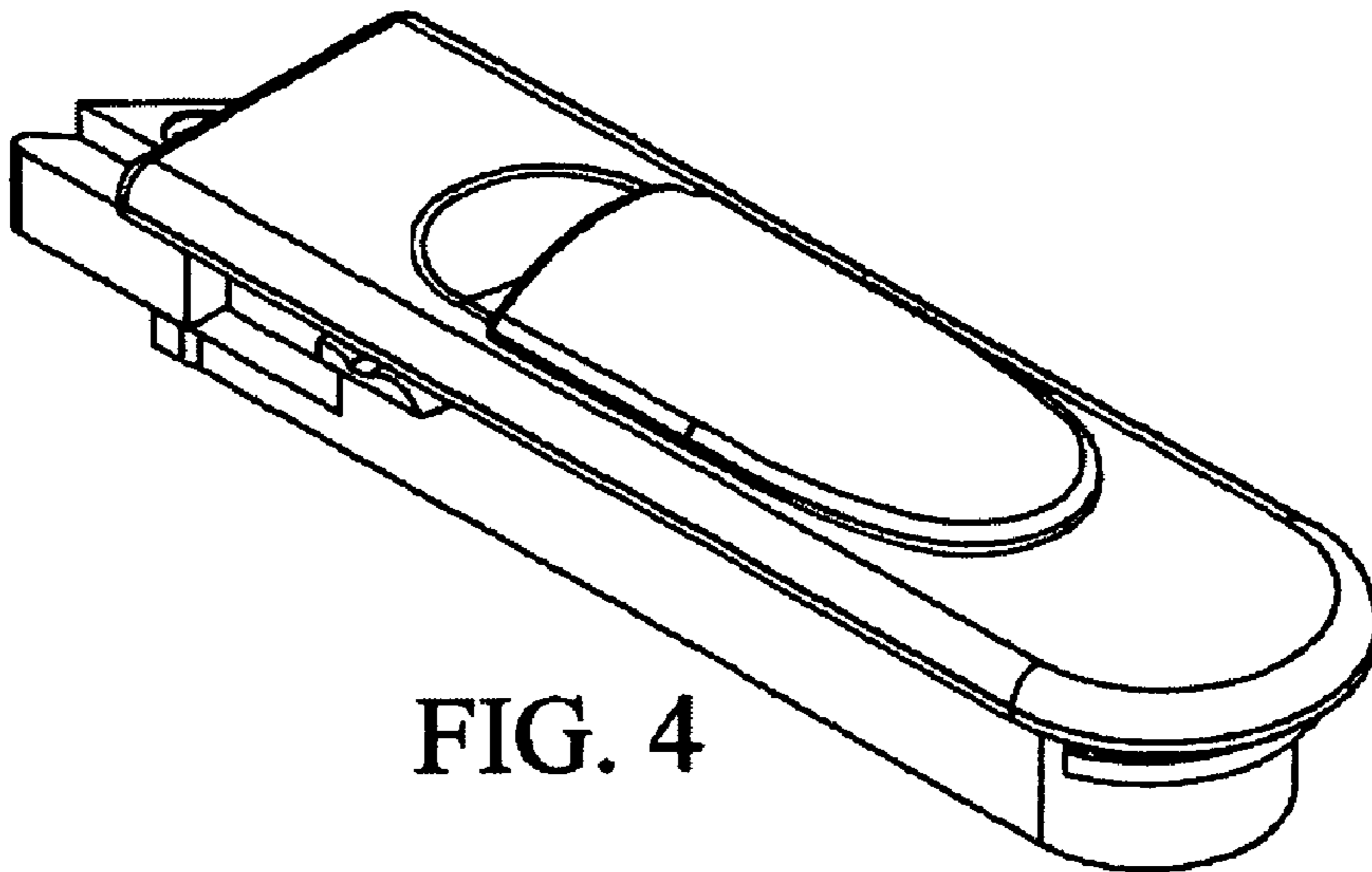
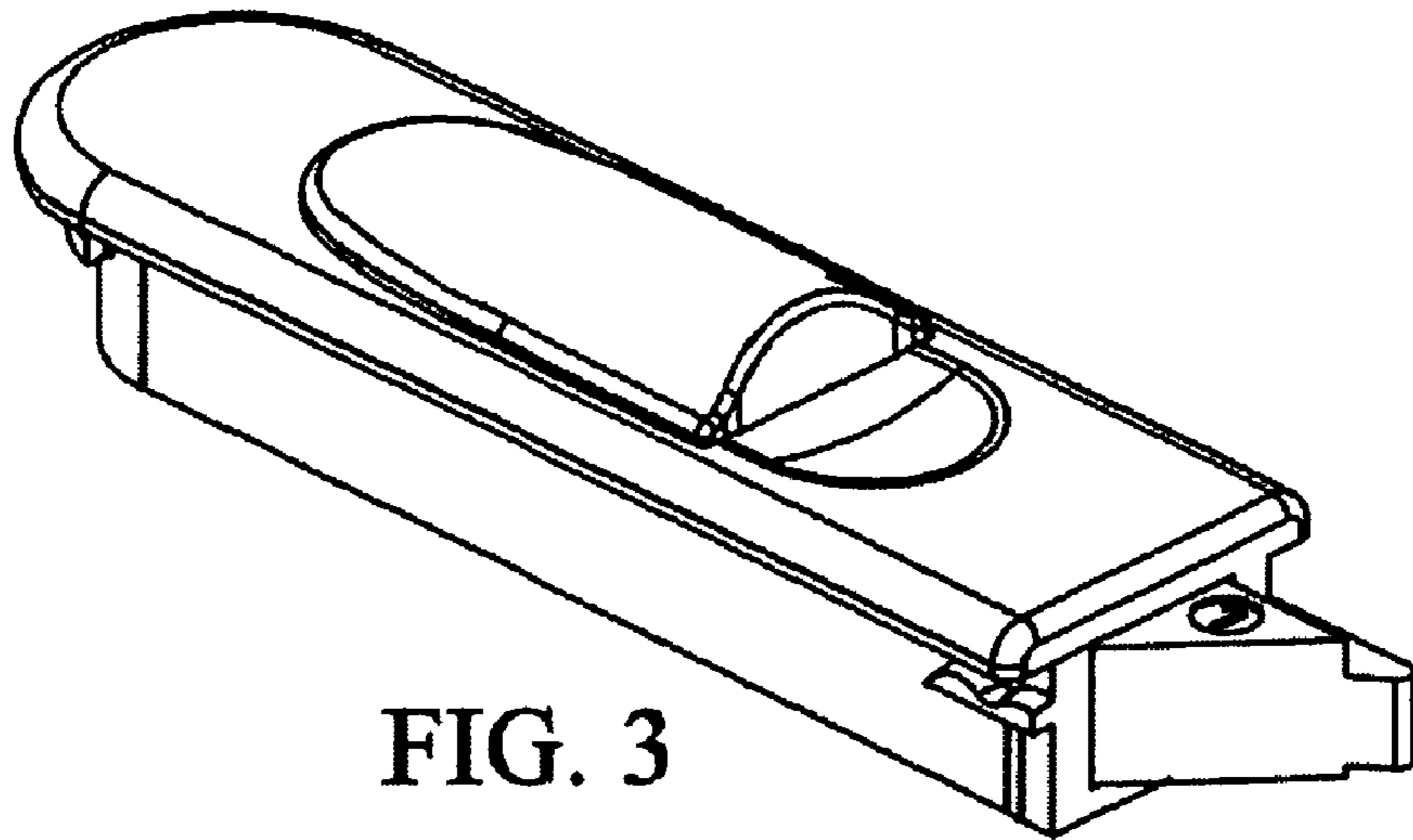


FIG. 2



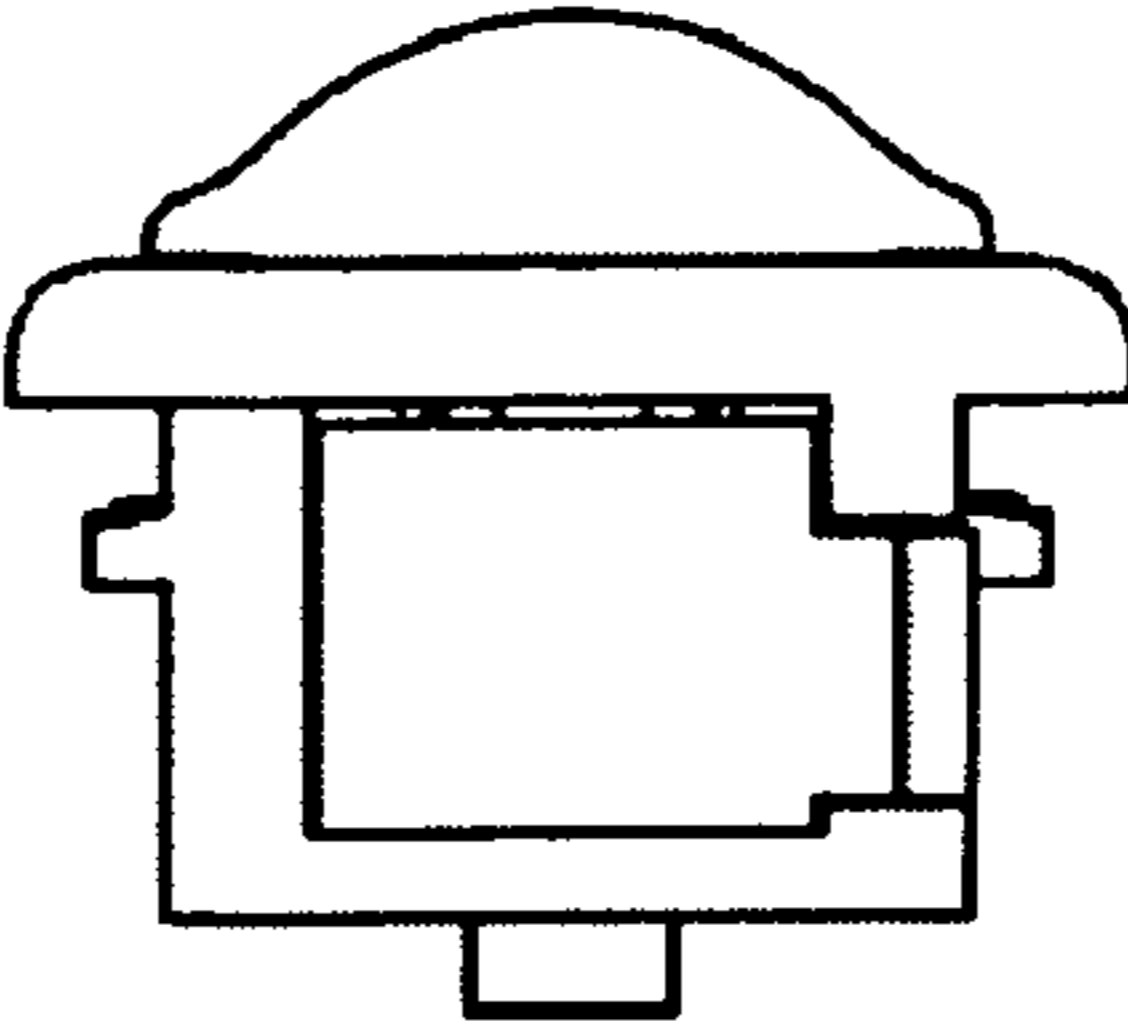


FIG. 6

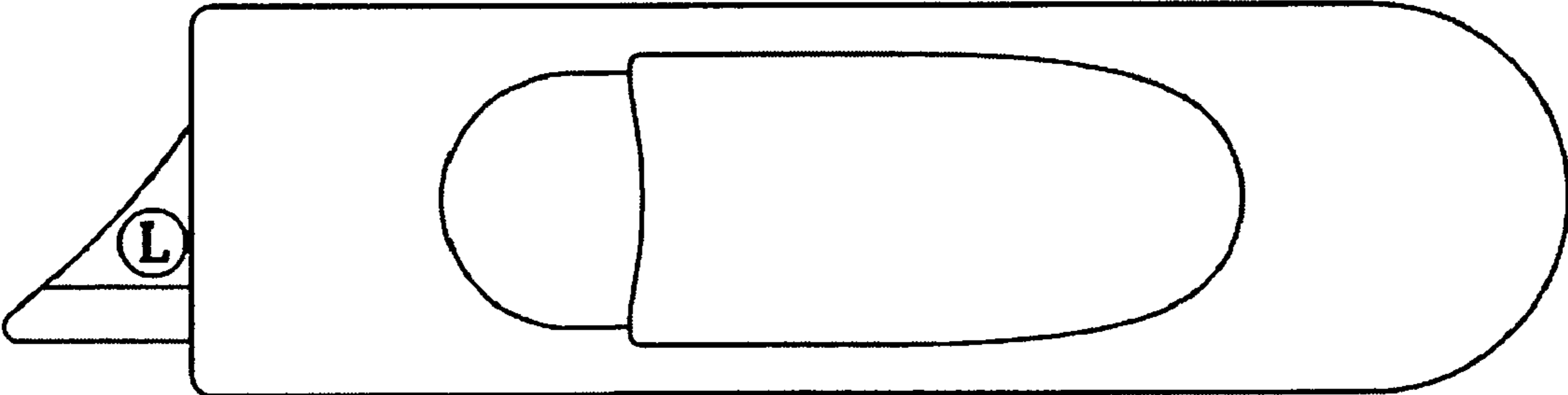


FIG. 7

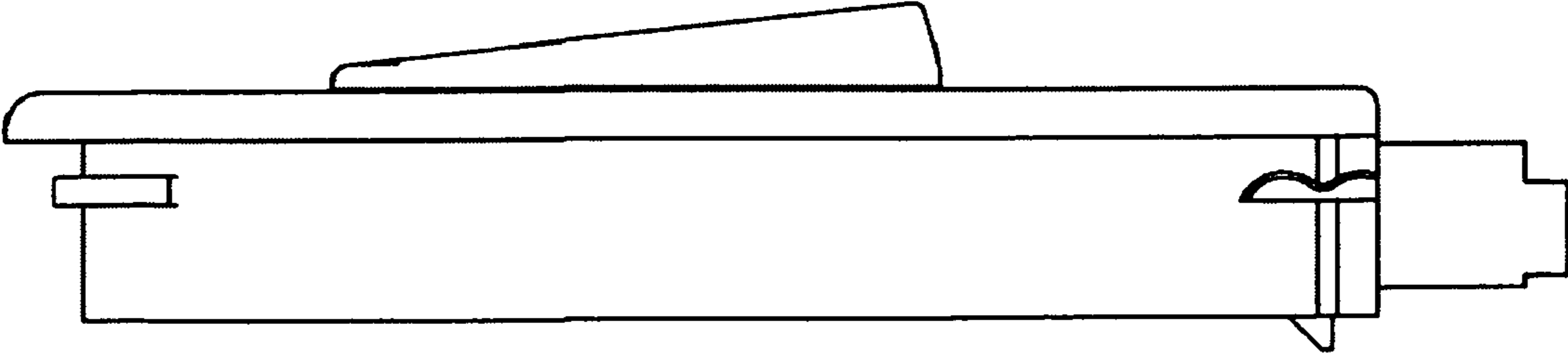


FIG. 8